



US00D649259S

(12) **United States Design Patent**  
**Tompkin**

(10) **Patent No.:** **US D649,259 S**

(45) **Date of Patent:** **\*\* Nov. 22, 2011**

(54) **HAND HELD MASSAGER**

(75) Inventor: **Crispian Tompkin**, Los Angeles, CA  
(US)

(73) Assignee: **MerchSource, LLC**, Foothill Ranch, CA  
(US)

(\*\*) Term: **14 Years**

(21) Appl. No.: **29/378,773**

(22) Filed: **Nov. 9, 2010**

(51) **LOC (9) Cl.** ..... **28-03**

(52) **U.S. Cl.** ..... **D24/215**

(58) **Field of Classification Search** ..... D24/200,  
D24/211–215; 601/118, 120, 121, 124, 125,  
601/130, 131, 134–137

See application file for complete search history.

(56) **References Cited**

U.S. PATENT DOCUMENTS

D262,908 S *	2/1982	Pesco	.....	D24/211
D273,708 S *	5/1984	Haug	.....	D24/211
D299,864 S *	2/1989	Colsen et al.	.....	D24/214
D331,466 S *	12/1992	Doria	.....	D24/200
D346,660 S *	5/1994	Chiang	.....	D24/215
D354,571 S *	1/1995	Monti	.....	D24/215
D364,231 S *	11/1995	Kou et al.	.....	D24/215
D371,443 S *	7/1996	Lie	.....	D24/215

D400,261 S *	10/1998	Allende	.....	D24/215
D596,750 S *	7/2009	Lev et al.	.....	D24/212
2010/0145242 A1*	6/2010	Tsai	.....	601/108

\* cited by examiner

*Primary Examiner* — Sandra Snapp

(74) *Attorney, Agent, or Firm* — The Eclipse Group LLP

(57) **CLAIM**

I claim the ornamental design for a hand held massager, as shown and described.

**DESCRIPTION**

FIG. 1 is a front perspective view of a hand held massager.  
FIG. 2 is a front elevation view of the hand held massager illustrated in FIG. 1.

FIG. 3 is a rear elevation view of the hand held massager illustrated in FIG. 1.

FIG. 4 is a top view of the hand held massager illustrated in FIG. 1.

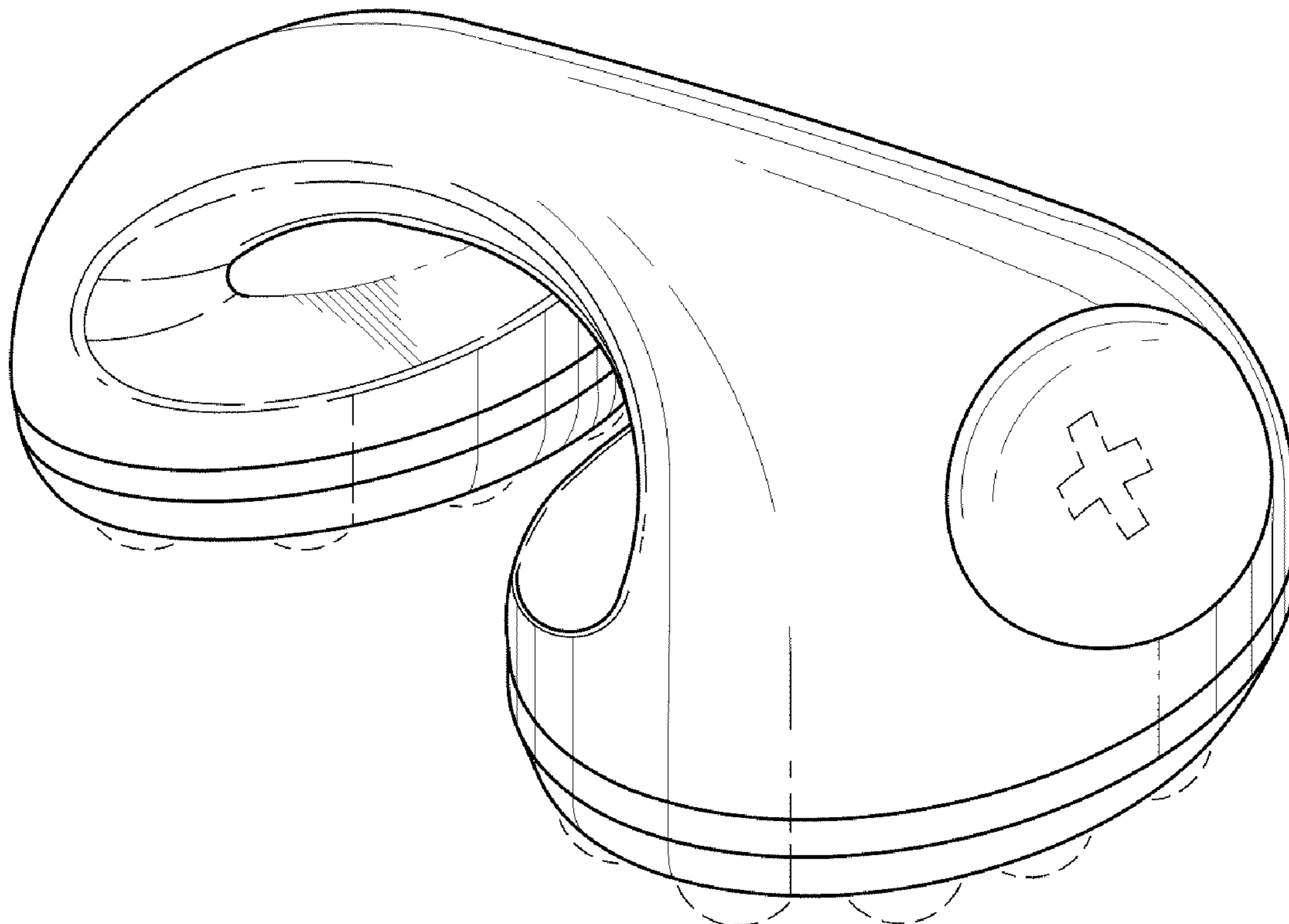
FIG. 5 is a bottom view of the hand held massager illustrated in FIG. 1.

FIG. 6 is an elevation view of the right side of the hand held massager illustrated in FIG. 1; and,

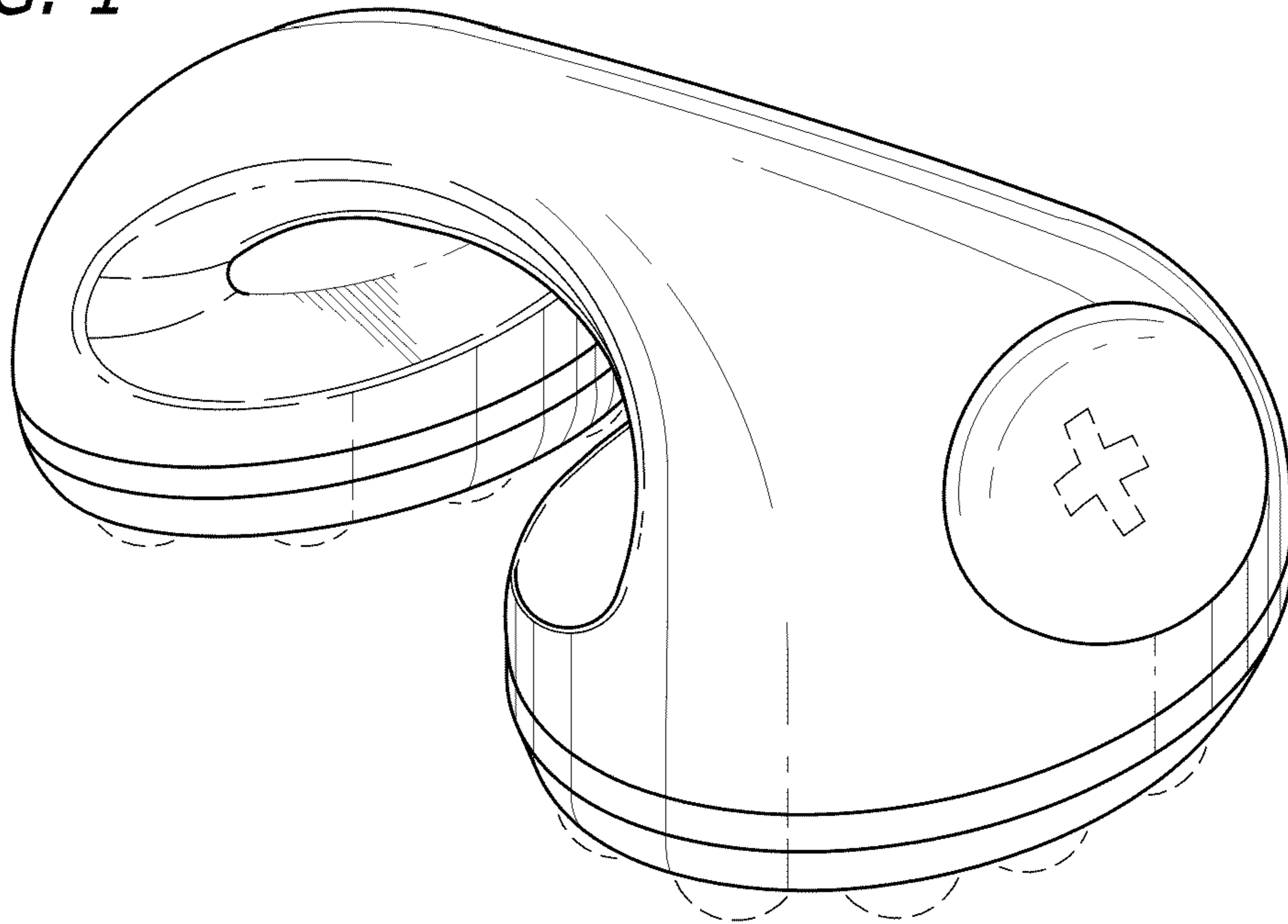
FIG. 7 is an elevation view of the left side of the hand held massager illustrated in FIG. 1.

The dashed lines in various figures are for illustrative purposes only and form no part of the claimed design.

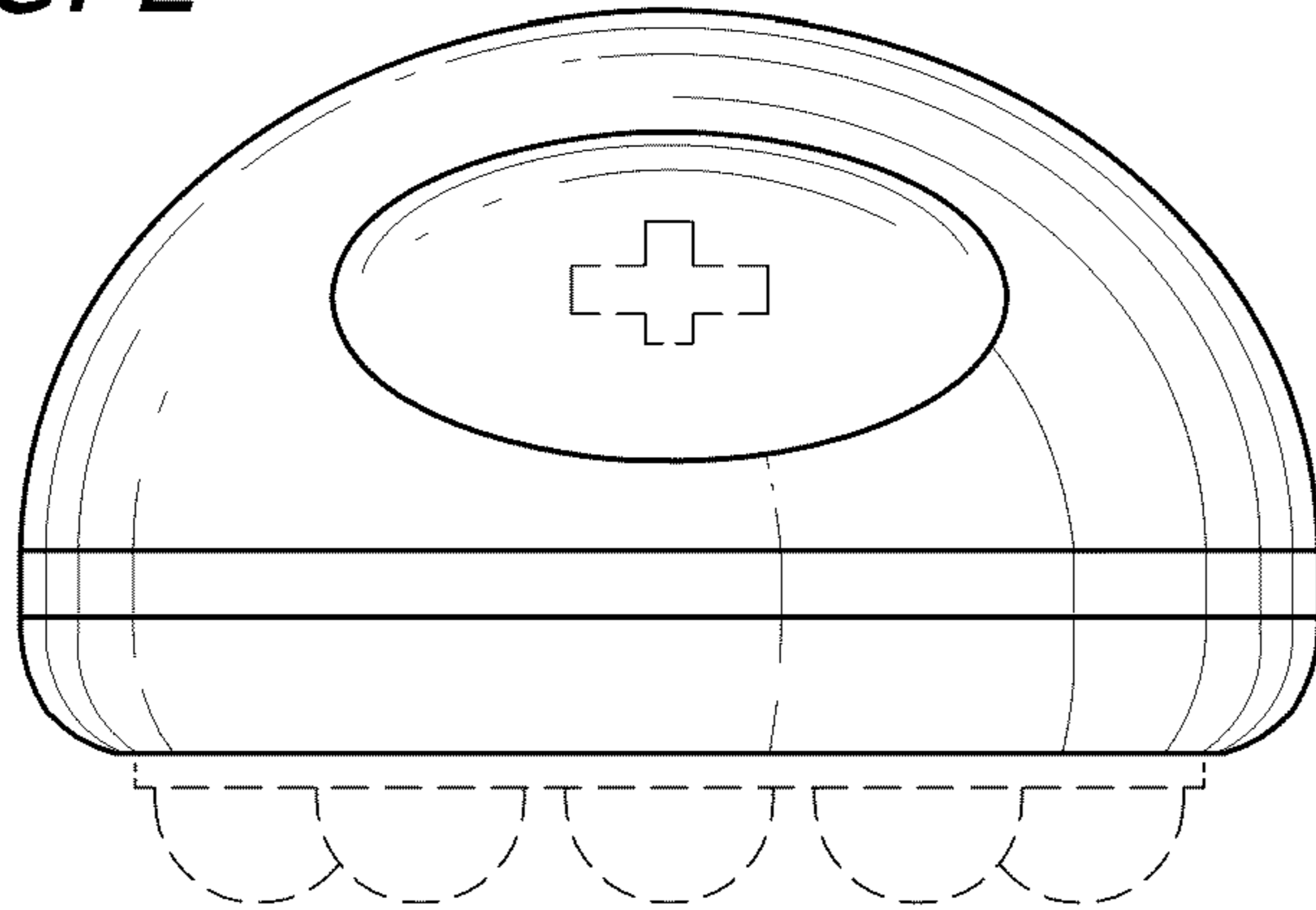
**1 Claim, 3 Drawing Sheets**



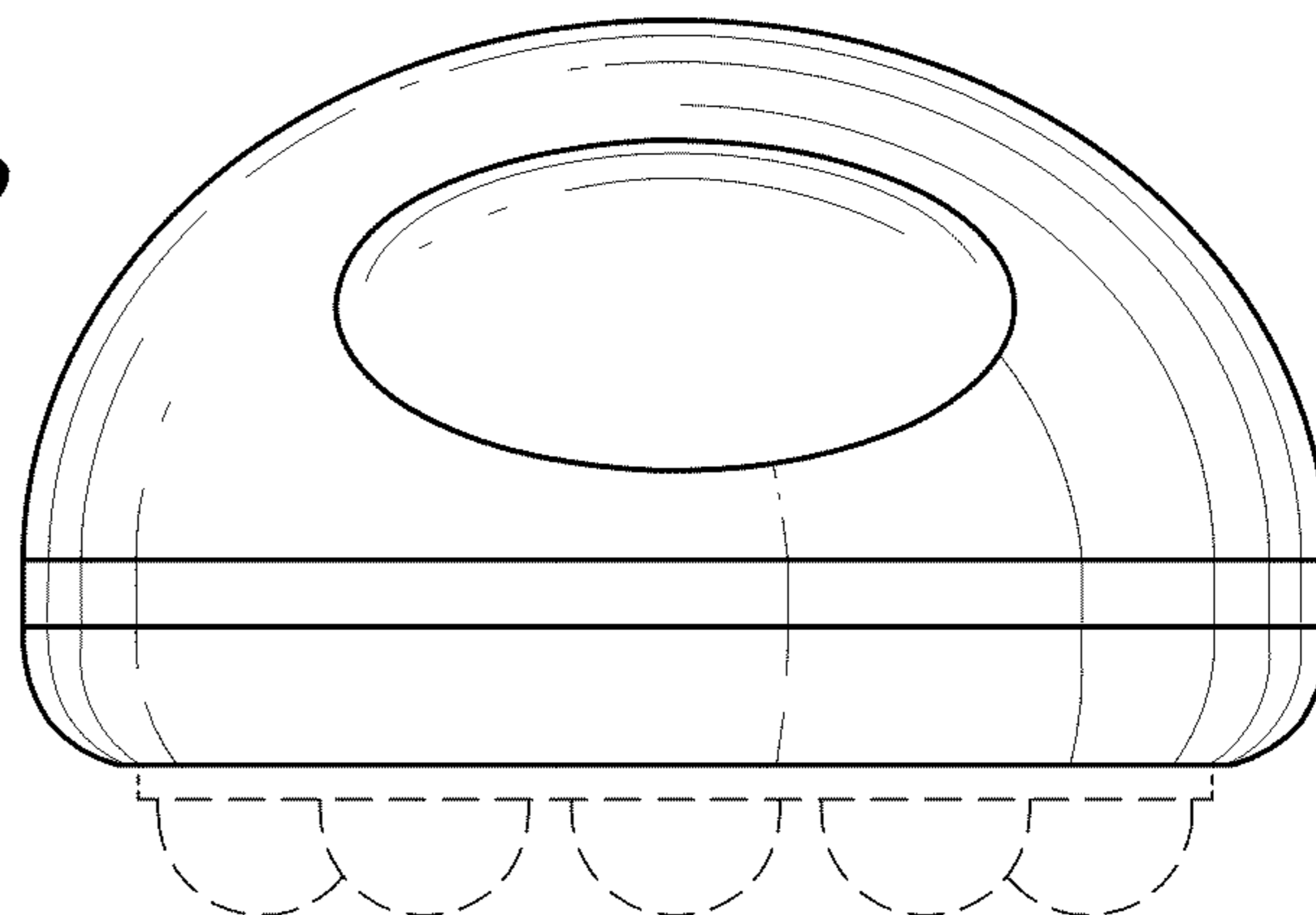
*FIG. 1*



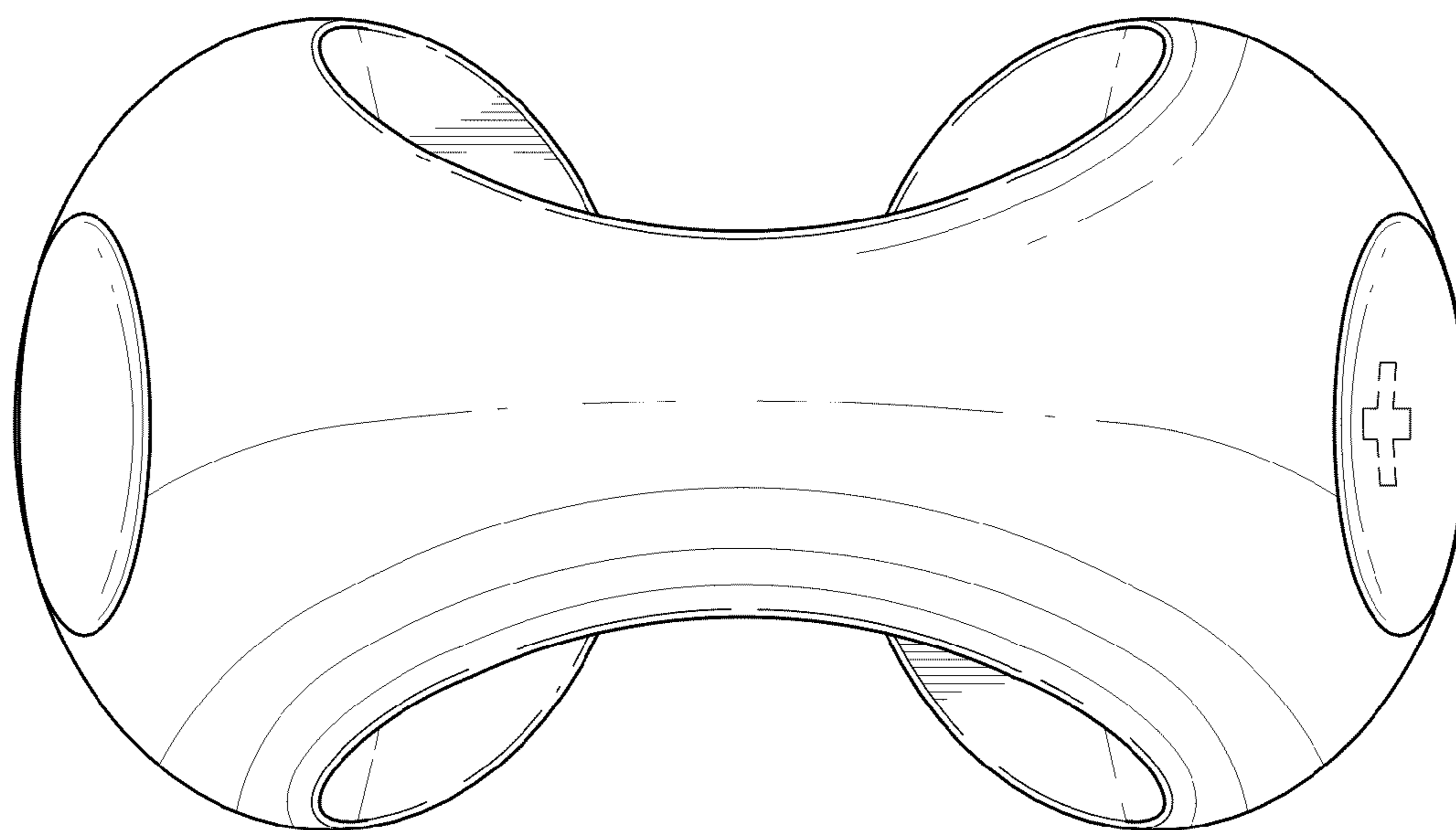
*FIG. 2*



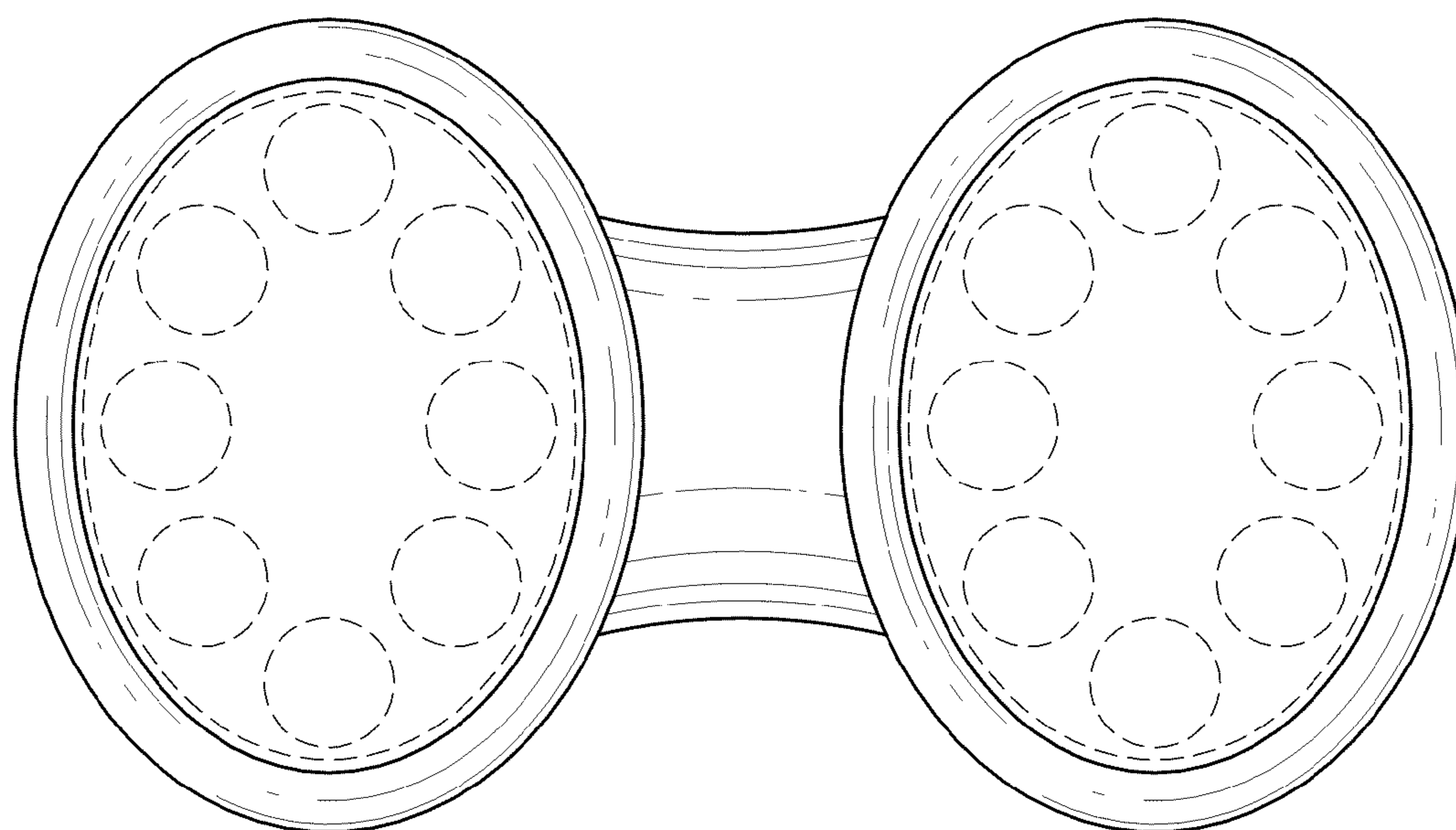
*FIG. 3*



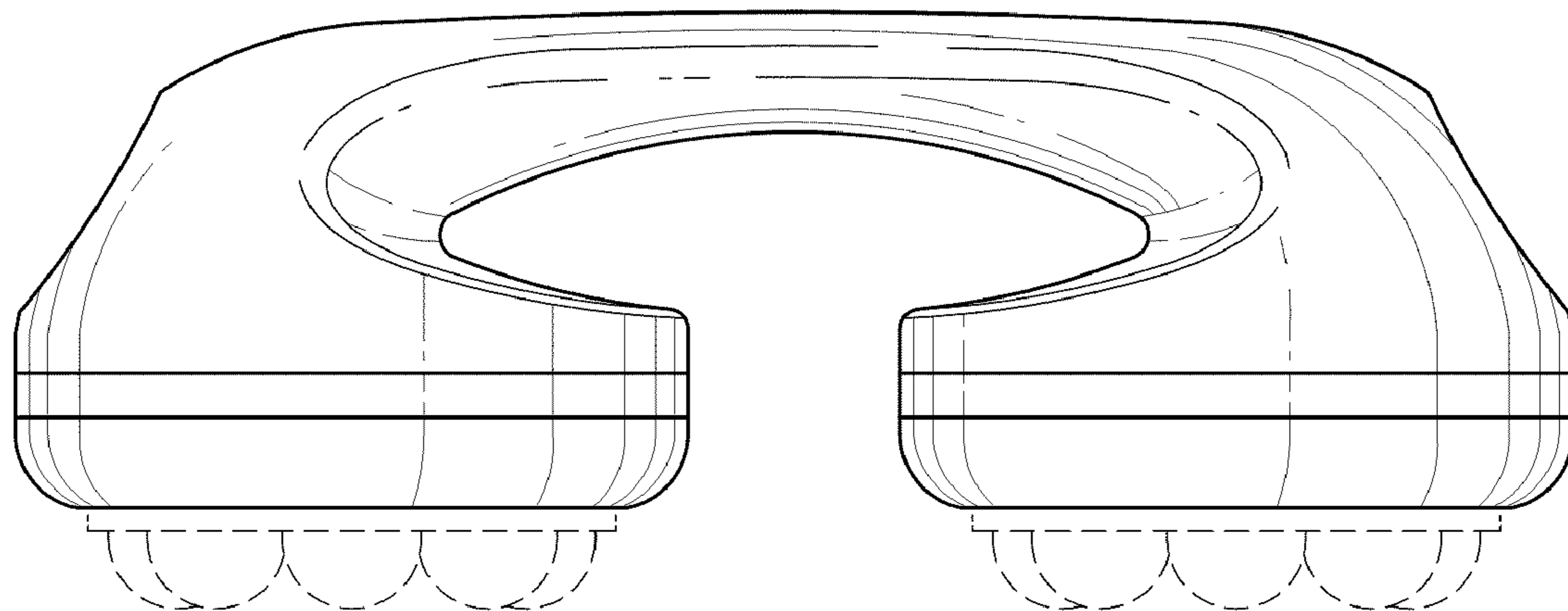
*FIG. 4*



*FIG. 5*



*FIG. 6*



*FIG. 7*

