



US00D649257S

(12) **United States Design Patent**
Cowan et al.

(10) **Patent No.:** **US D649,257 S**

(45) **Date of Patent:** **** Nov. 22, 2011**

(54) **PHOTO THERMAL THERAPY DEVICE AND CHARGING DOCKING STATION**

(75) Inventors: **David M. Cowan**, Brooklyn, NY (US);
Ronald S. Shapiro, Toledo, OH (US);
David B. Sutton, Monroe, MI (US);
Pepin S. Gelardi, Brooklyn, NY (US)

(73) Assignee: **Physician's Technology, LLC**, Monroe, MI (US)

(**) Term: **14 Years**

(21) Appl. No.: **29/369,664**

(22) Filed: **Sep. 10, 2010**

(51) **LOC (9) Cl.** **28-03**

(52) **U.S. Cl.** **D24/209**

(58) **Field of Classification Search** D24/210,
D24/209, 200, 158, 176; 362/555, 545, 800,
362/294, 249, 267; D26/29, 37, 39, 41, 104;
606/2-4, 16, 131; 607/88-96; 433/29; D29/121.1;
601/15, DIG. 5; D13/108

See application file for complete search history.

(56) **References Cited**

U.S. PATENT DOCUMENTS

D240,082	S	*	5/1976	Garwood	D24/210
D256,176	S	*	8/1980	Rule	D29/121.1
5,327,886	A		7/1994	Chiu		
D432,655	S	*	10/2000	Benders	D24/158
6,187,029	B1		2/2001	Shapiro et al.		
D465,069	S	*	10/2002	Criddell	D29/121.1
6,598,994	B1	*	7/2003	Tait et al.	362/800
D492,068	S		6/2004	Peterson et al.		
D502,913	S		3/2005	Fukami et al.		
D509,183	S	*	9/2005	Solland et al.	D13/108
D551,346	S	*	9/2007	Lenfant et al.	D24/158
D557,418	S	*	12/2007	Onuma et al.	D24/158
D564,096	S	*	3/2008	Banryu	D24/158
D566,843	S	*	4/2008	Ogiwara	D24/158

D588,310	S	*	3/2009	Dancyger et al.	D29/121.1
D590,504	S	*	4/2009	Ogiwara	D24/158
D591,862	S	*	5/2009	Taniguchi et al.	D24/158
D614,128	S		4/2010	Kim		
2006/0229689	A1		10/2006	Ferguson et al.		

FOREIGN PATENT DOCUMENTS

GB 2378388 A 12/2003

OTHER PUBLICATIONS

Nuga Medical Co., Ltd., NM-70 Infrared Heat for Pain in Knee and Shoulder, printed from http://www.nugabest.dk/products_nm70_english.html, Apr. 13, 2007.

* cited by examiner

Primary Examiner — David Muller

(74) Attorney, Agent, or Firm — Brooks Kushman P.C.

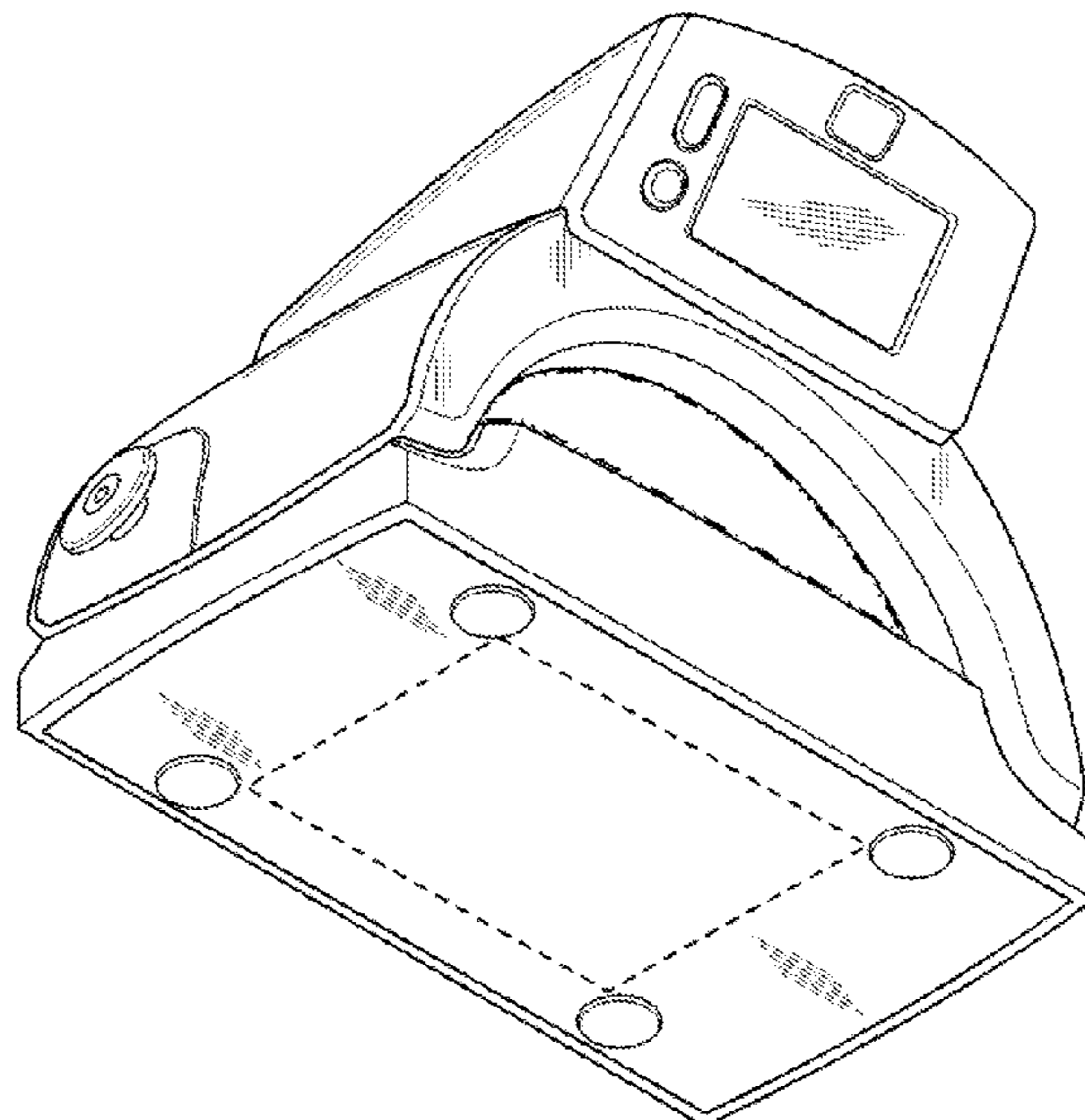
(57) **CLAIM**

The ornamental design for a photo thermal therapy device and charging docking station, as shown and described.

DESCRIPTION

FIG. 1 is a perspective view of the photo thermal therapy device and charging docking station; FIG. 2 is a top plan view thereof; FIG. 3 is a rear elevational view thereof; FIG. 4 is a front elevational view thereof; FIG. 5 is a bottom plan view thereof; FIG. 6 is a left side elevational view thereof; and, FIG. 7 is a right side elevational view of the present invention. The dash dot lines immediately adjacent to the opening in FIG. 1 represent the boundaries of the claimed design. The dashed lines in the figures illustrate the portions of the design that form no part of the claimed design. None of the broken lines form any part of the claimed design.

1 Claim, 3 Drawing Sheets



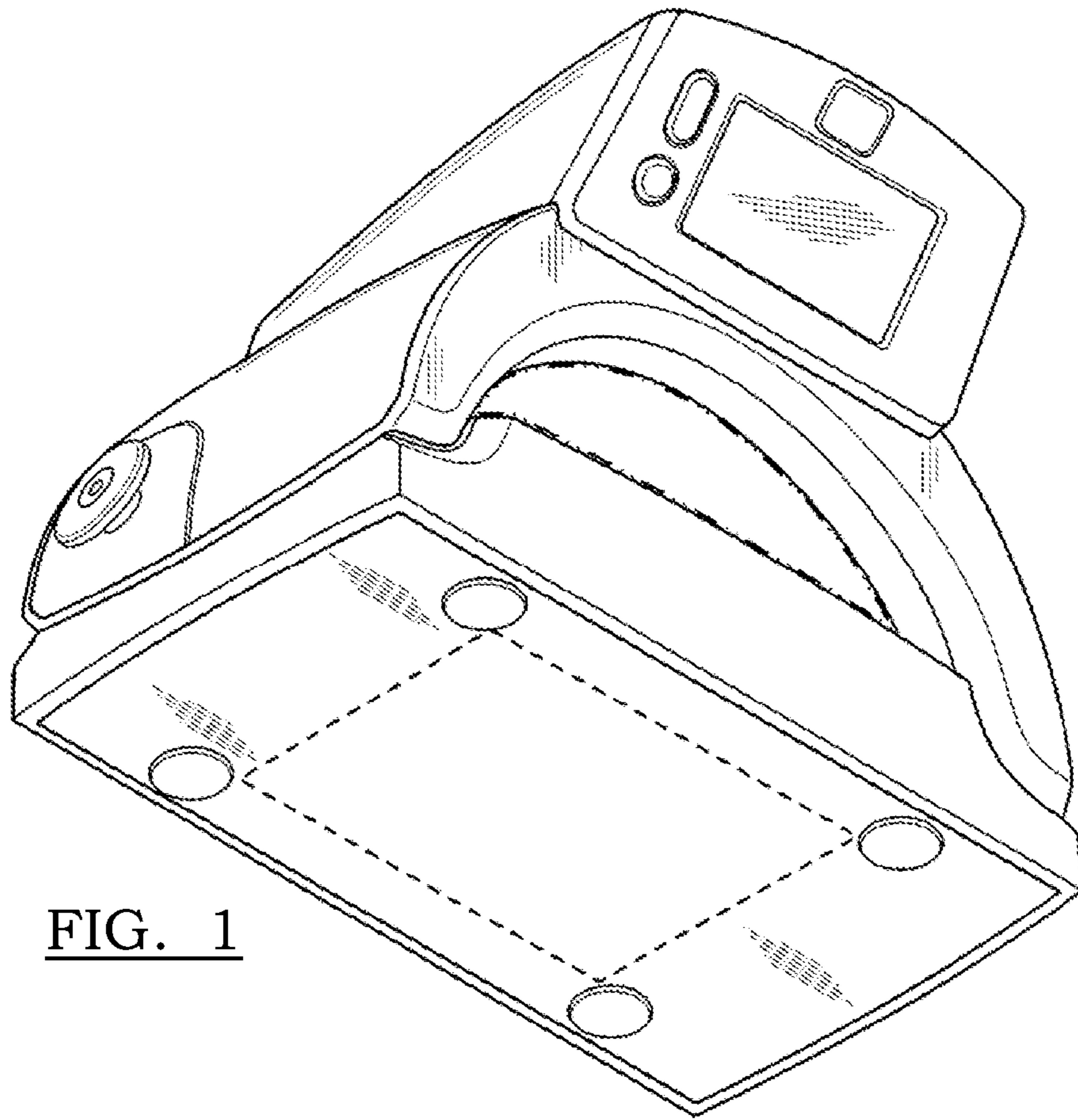


FIG. 1

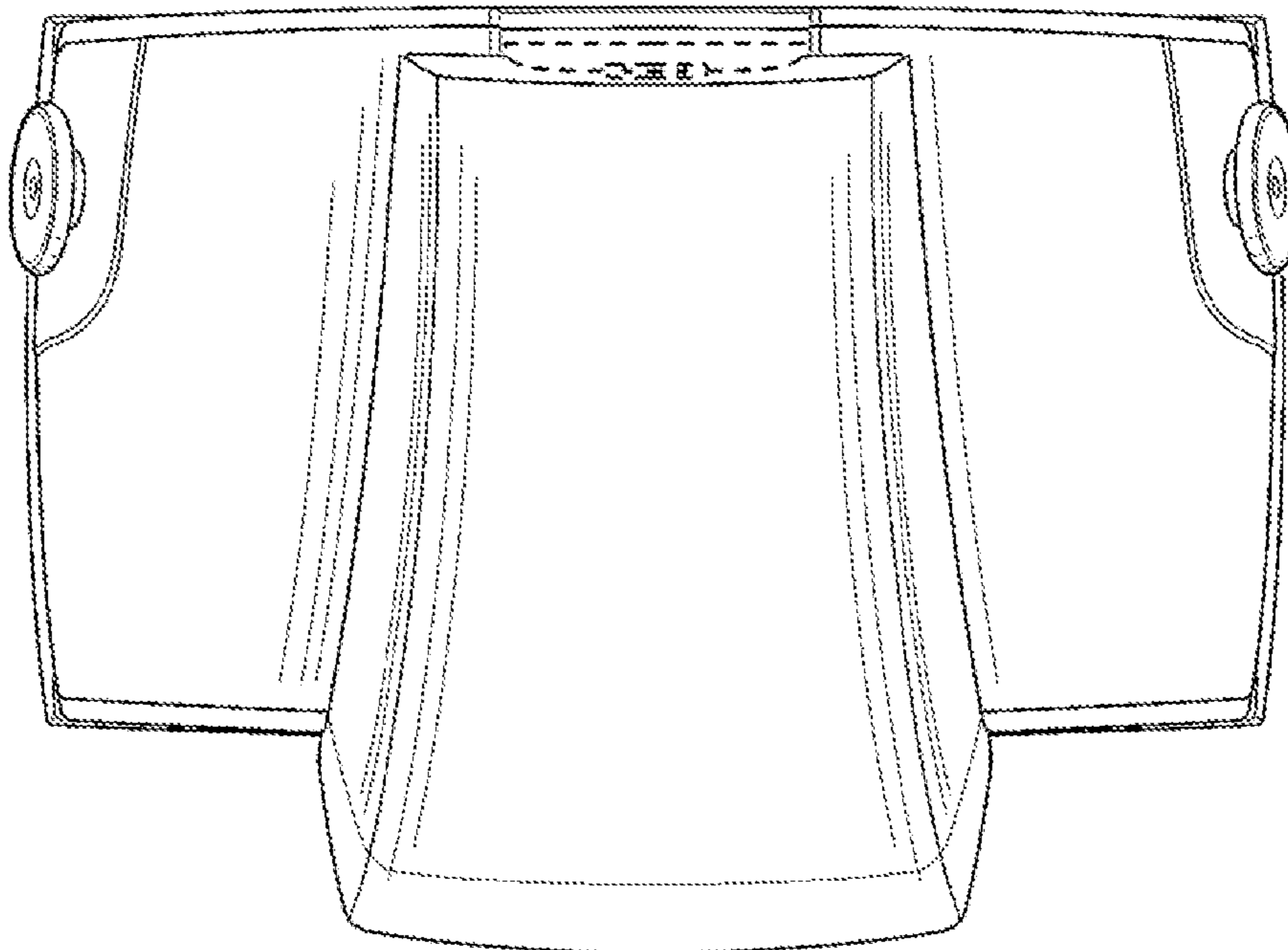


FIG. 2

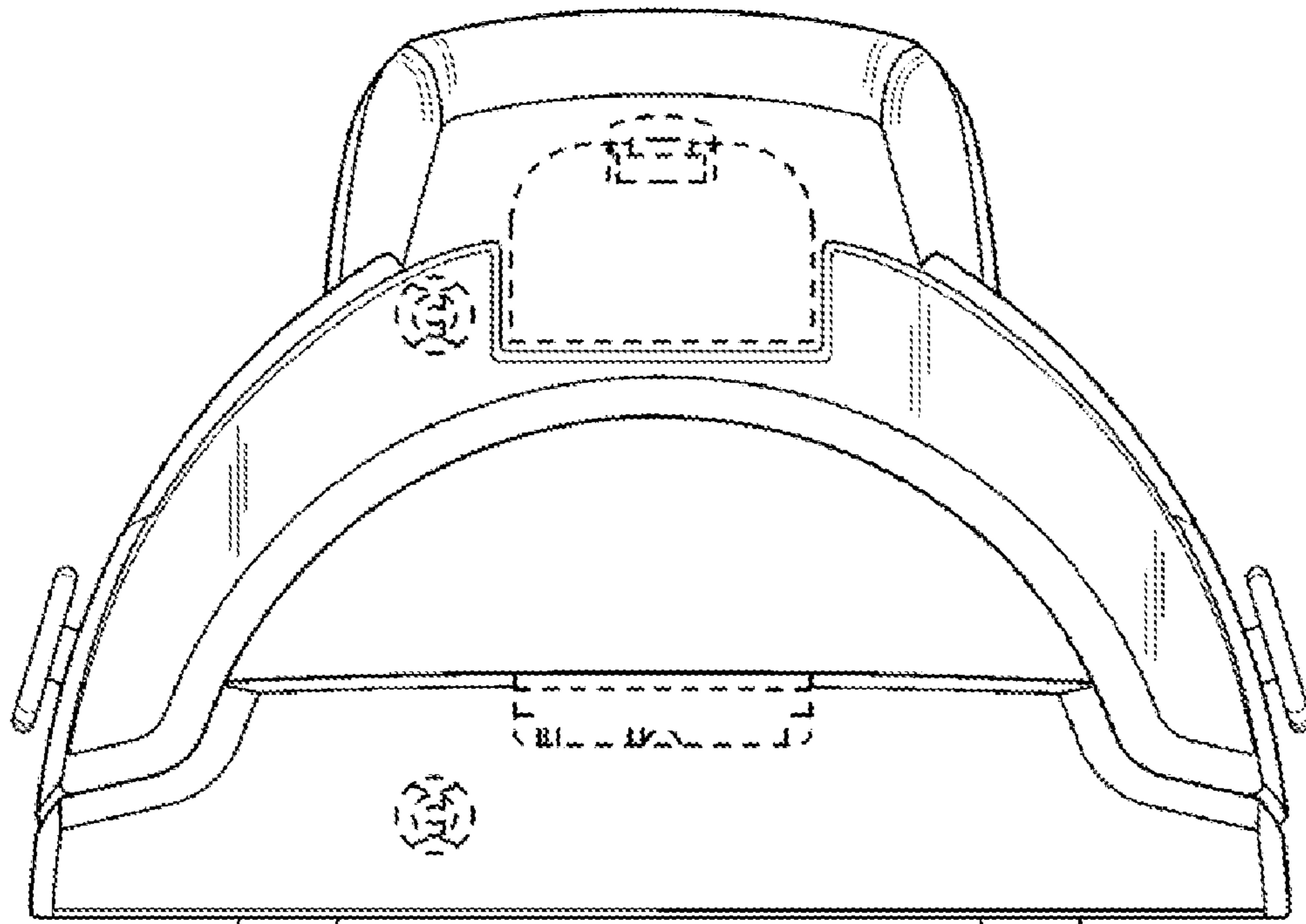


FIG. 3

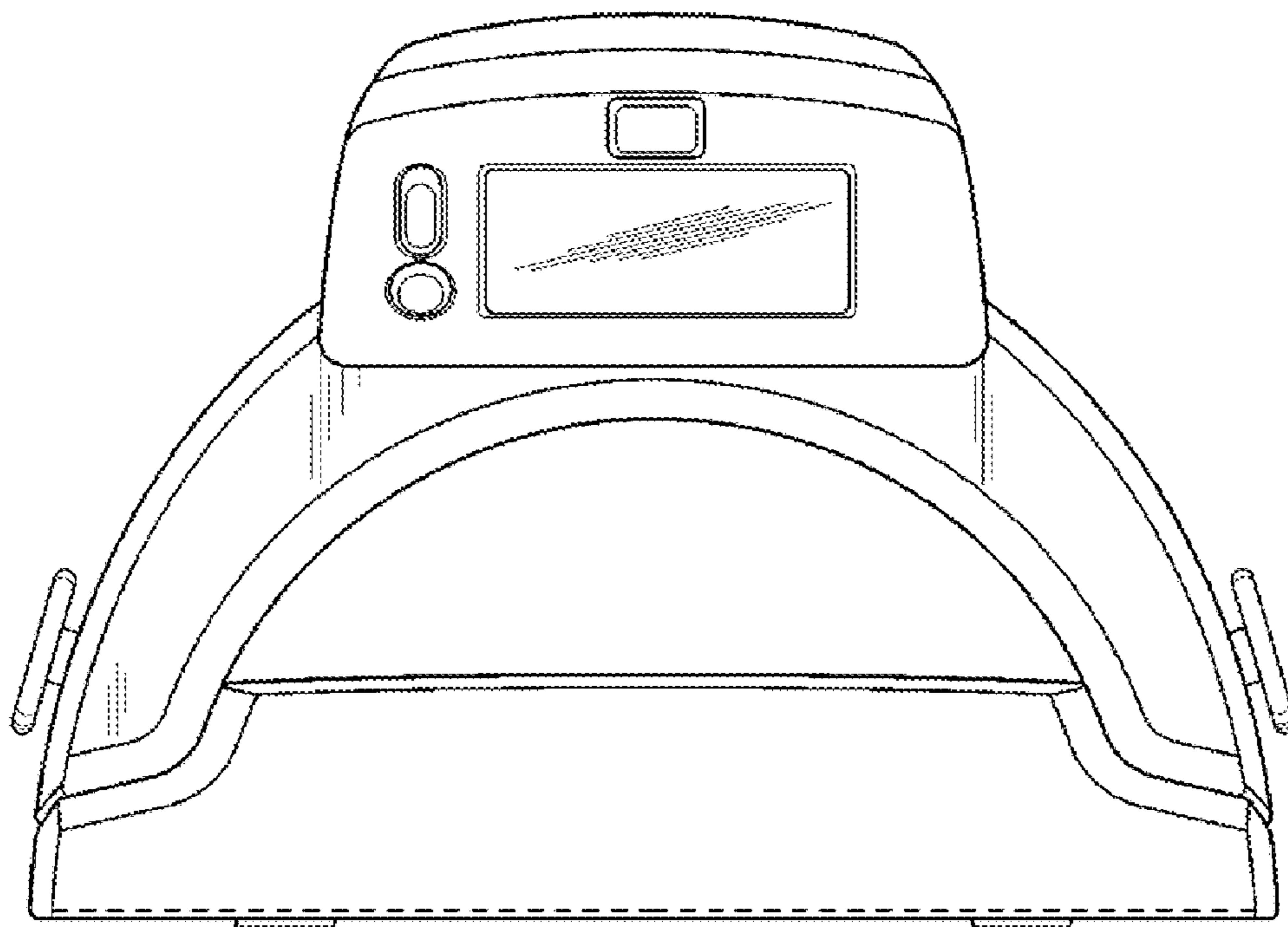


FIG. 4

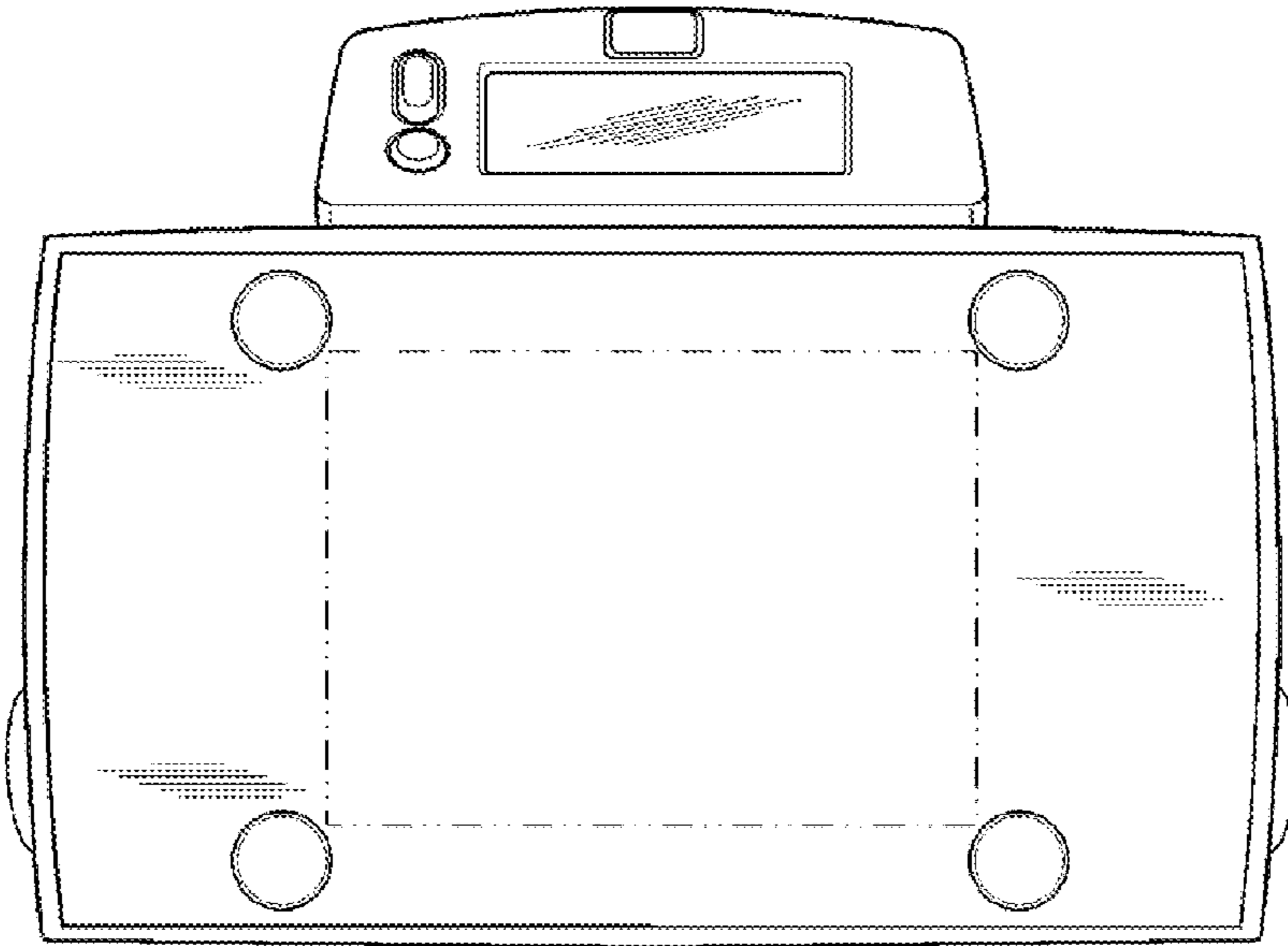


FIG. 5

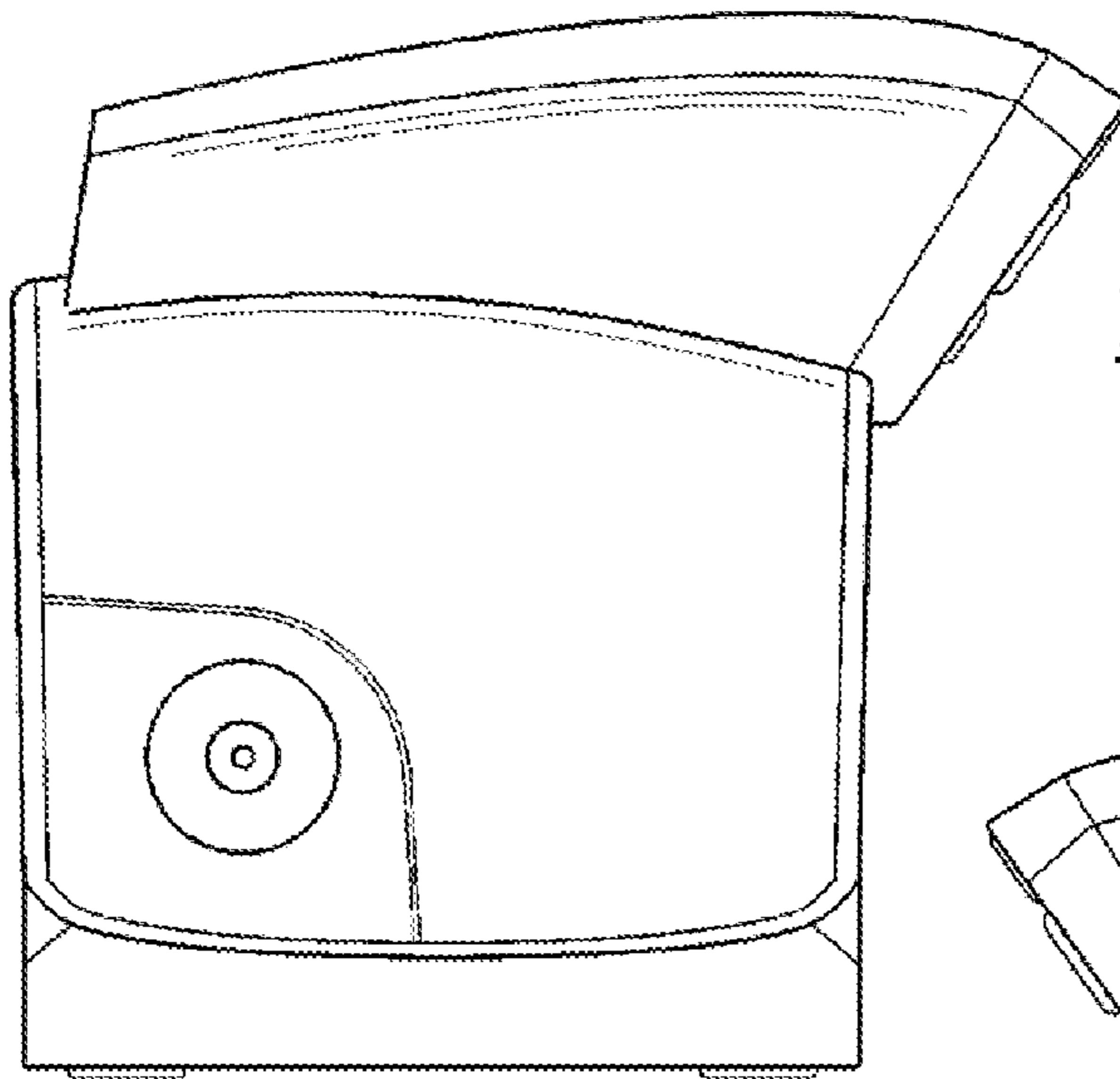


FIG. 6

FIG. 7

