



US00D649252S

(12) **United States Design Patent**
Spainhower

(10) **Patent No.:** **US D649,252 S**

(45) **Date of Patent:** **** Nov. 22, 2011**

(54) **MOUTH GUARD**

(76) Inventor: **David L. Spainhower**, Layton, UT (US)

(**) Term: **14 Years**

(21) Appl. No.: **29/362,887**

(22) Filed: **Jun. 1, 2010**

(51) **LOC (9) Cl.** **24-99**

(52) **U.S. Cl.** **D24/181; D29/108**

(58) **Field of Classification Search** D24/180,
D24/107, 155-156, 176-177, 181-182; D29/108,
D29/100, 122; 602/902; 128/848, 859, 861-862;
433/6, 18-19, 21, 70, 167, 168.1, 173, 213,
433/219

See application file for complete search history.

(56) **References Cited**

U.S. PATENT DOCUMENTS

2,750,941	A *	6/1956	Cathcart	128/862
4,580,980	A *	4/1986	Acquanetta	433/167
4,672,959	A *	6/1987	May et al.	128/861
5,624,257	A *	4/1997	Farrell	433/6
5,682,904	A *	11/1997	Stinnett	128/861
6,986,354	B1 *	1/2006	Burns	128/859
7,798,149	B2 *	9/2010	Haduong	128/848
7,882,839	B2 *	2/2011	Ambis, Jr.	128/861
2006/0084024	A1 *	4/2006	Farrell	433/6

* cited by examiner

Primary Examiner — Wan Laymon

(74) *Attorney, Agent, or Firm* — Durham Jones & Pinegar
Intellectual Property Law Group

(57) **CLAIM**

The ornamental design for a mouth guard, as shown and described.

DESCRIPTION

FIG. 1 is an upper frontal perspective view of a mouth guard showing my new design;

FIG. 2 is a lower frontal perspective view of the mouth guard shown in FIG. 1;

FIG. 3 is a front view of the mouth guard shown in FIG. 1;

FIG. 4 is a first side view of the mouth guard shown in FIG. 1;

FIG. 5 is a second side view of the mouth guard shown in FIG. 1;

FIG. 6 is a rear view of the mouth guard shown in FIG. 1;

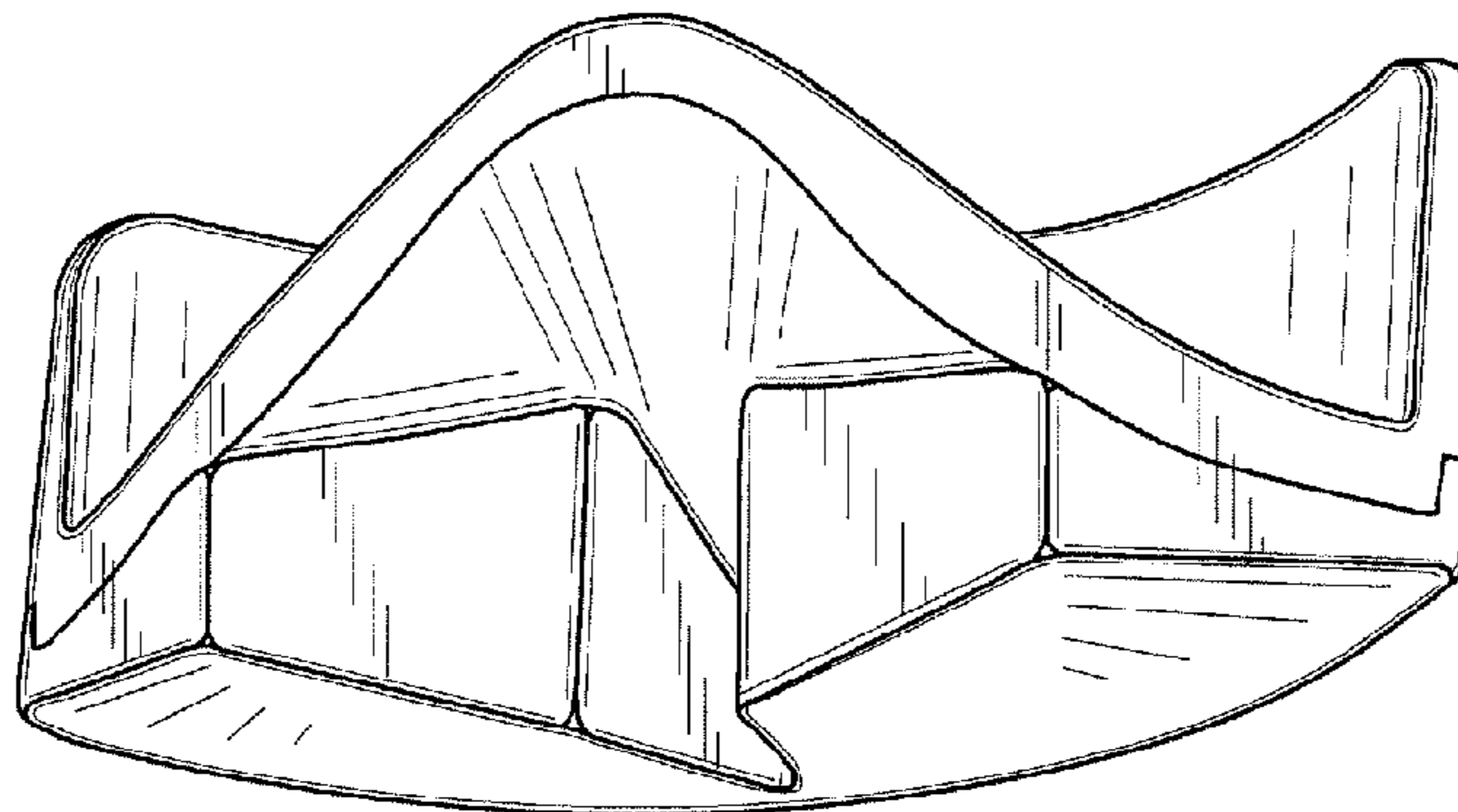
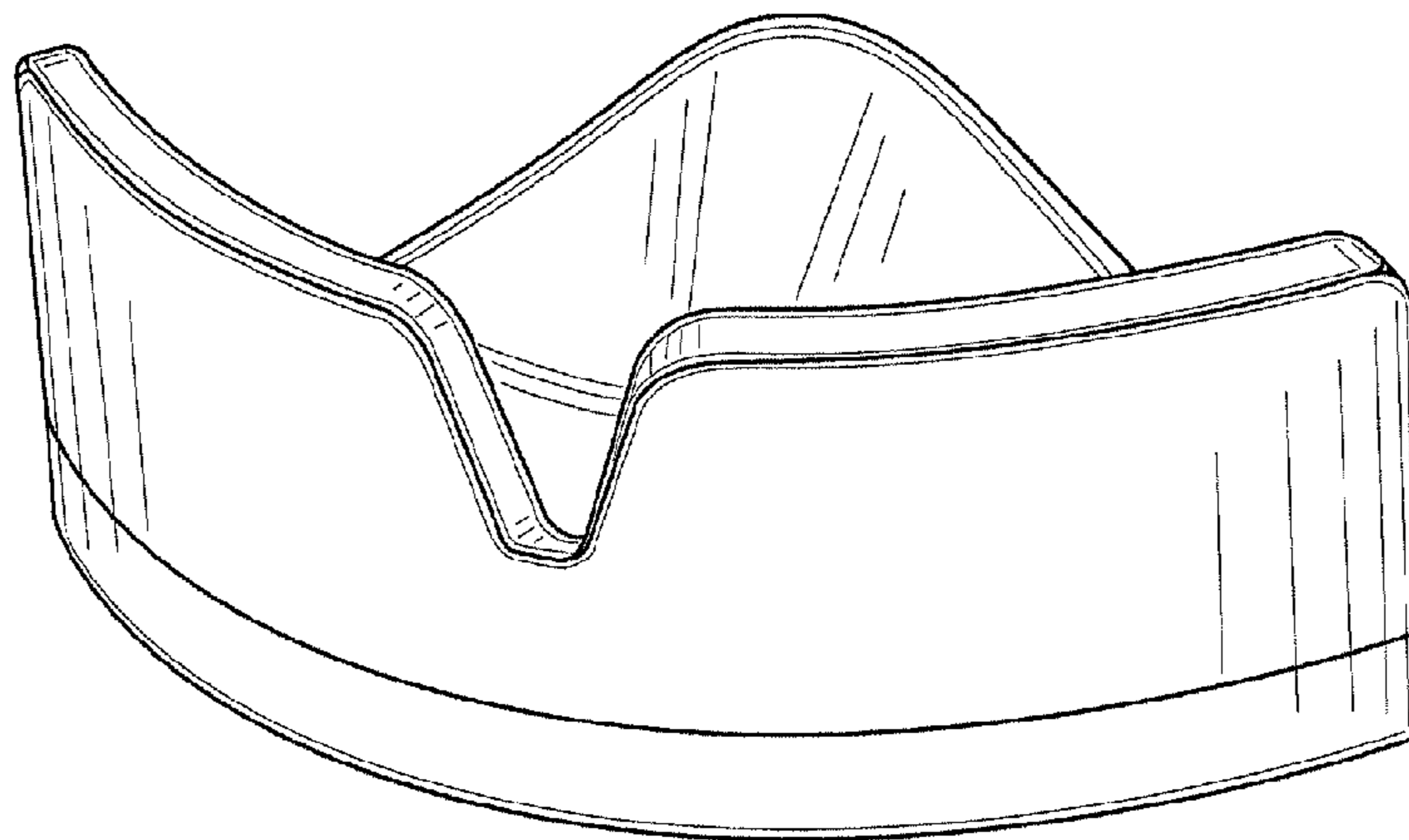
FIG. 7 is a top view of the mouth guard shown in FIG. 1;

FIG. 8 is a bottom view of the mouth guard shown in FIG. 1;

FIG. 9 is an upper rear perspective view of the mouth guard shown in FIG. 1; and,

FIG. 10 is a lower rear perspective view of the mouth guard shown in FIG. 1.

1 Claim, 3 Drawing Sheets



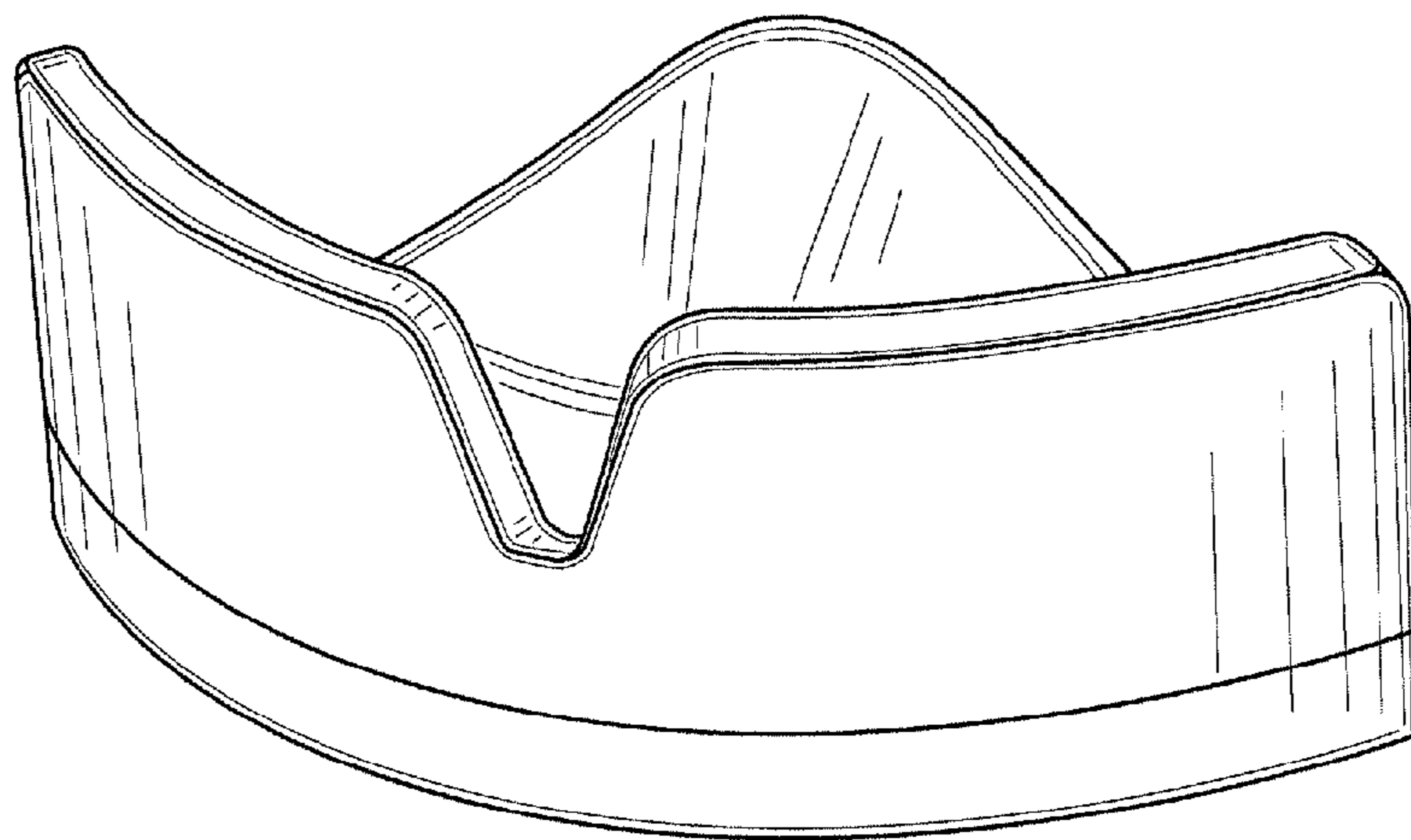


FIG. 1

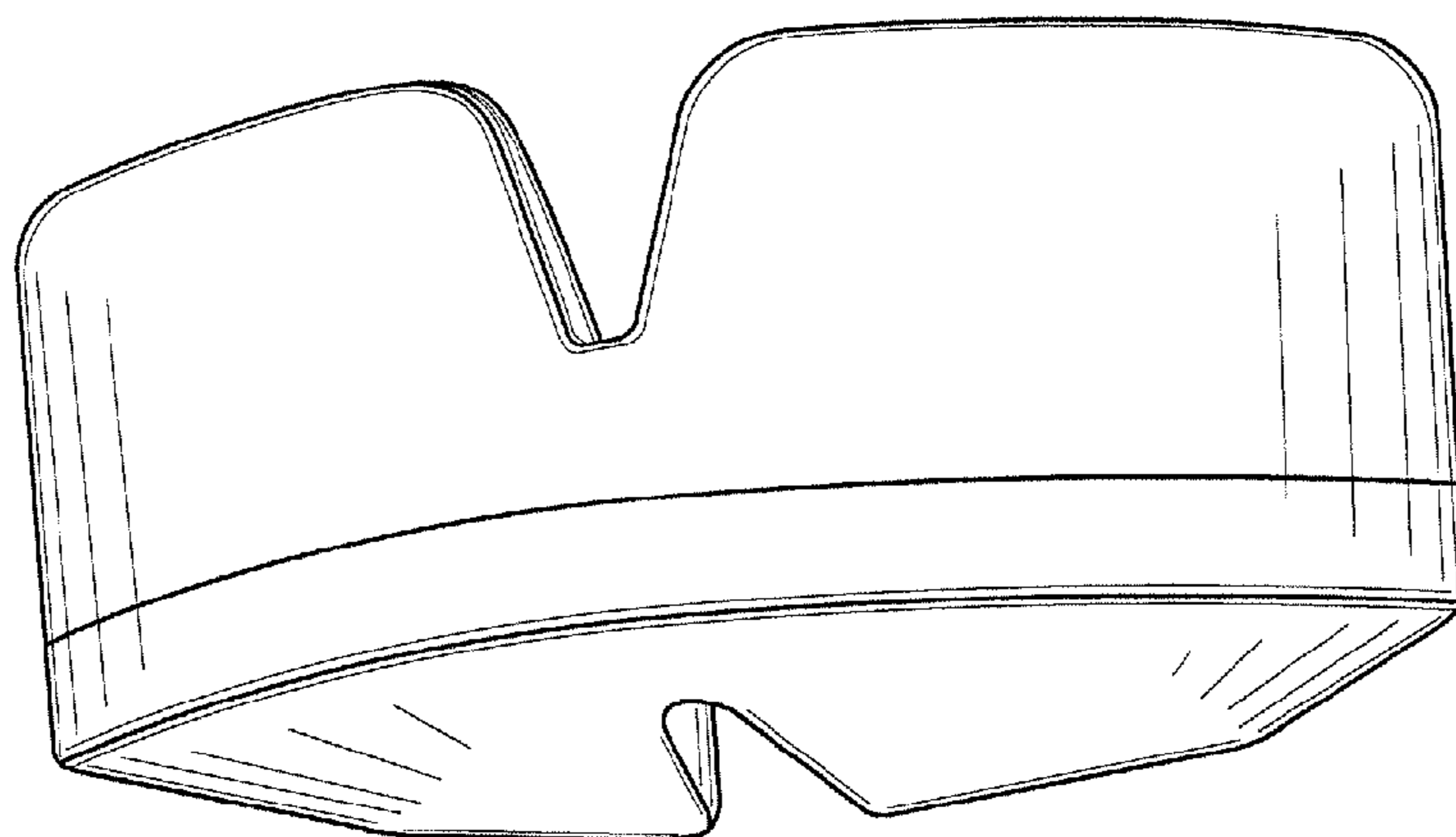


FIG. 2

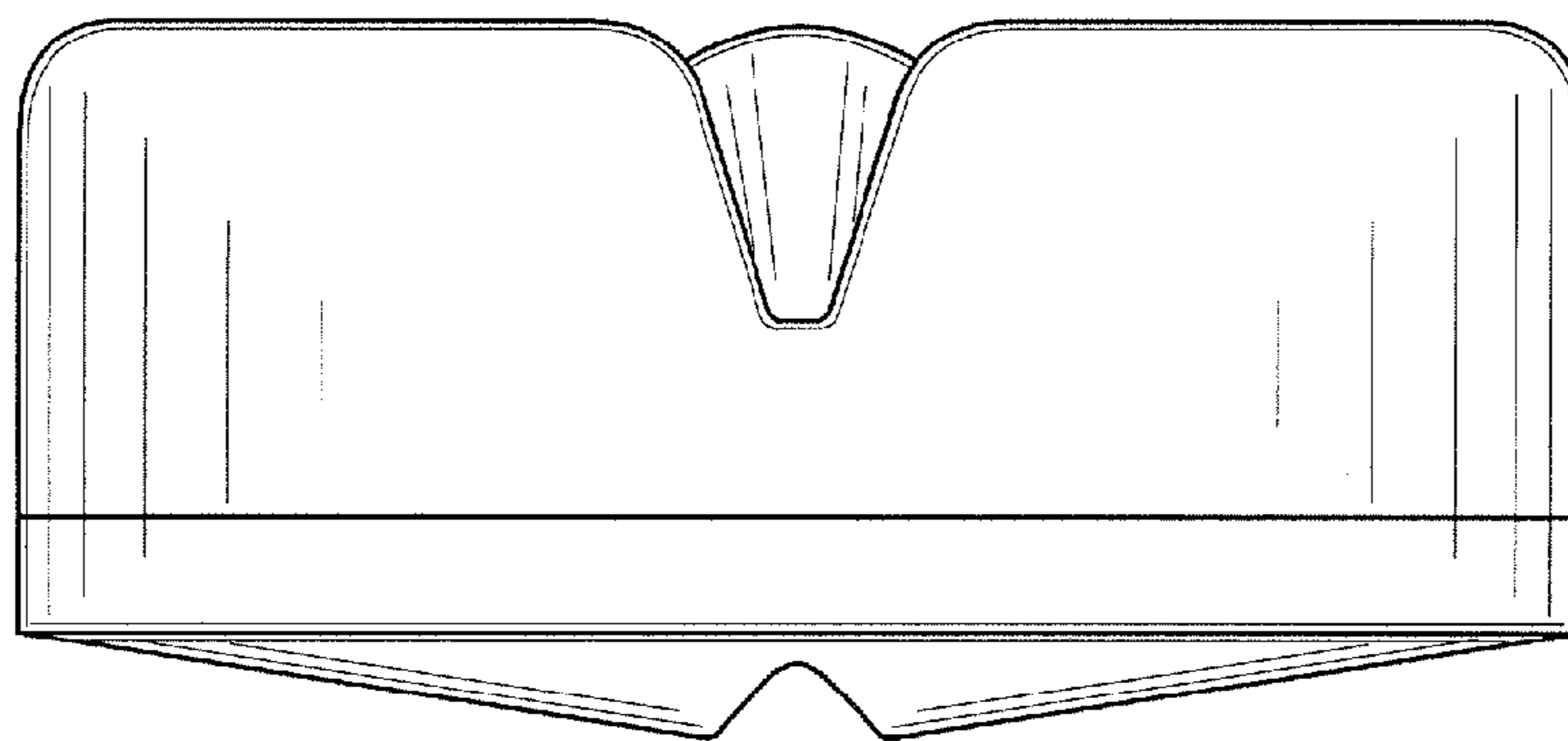


FIG. 3

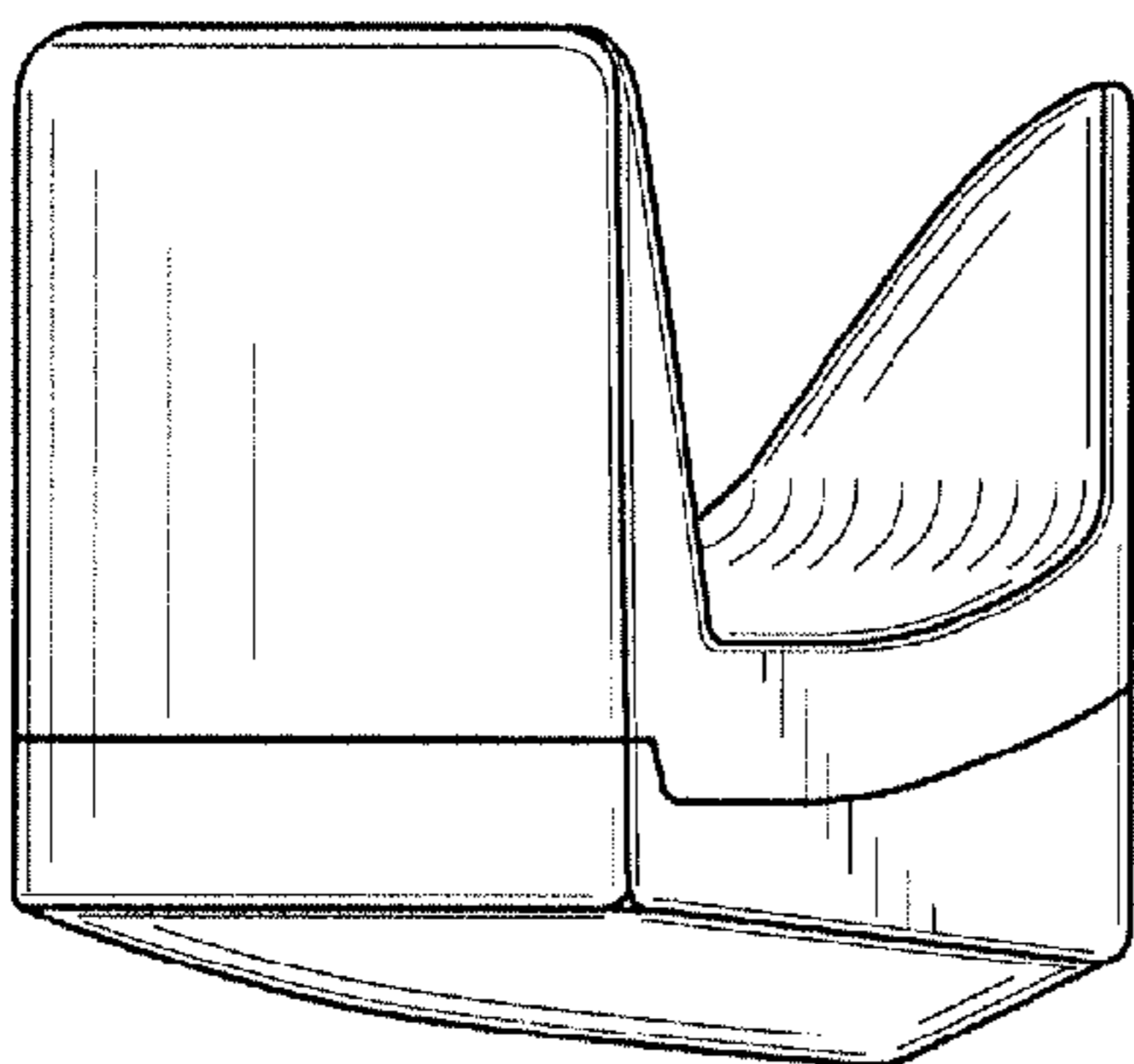


FIG. 4

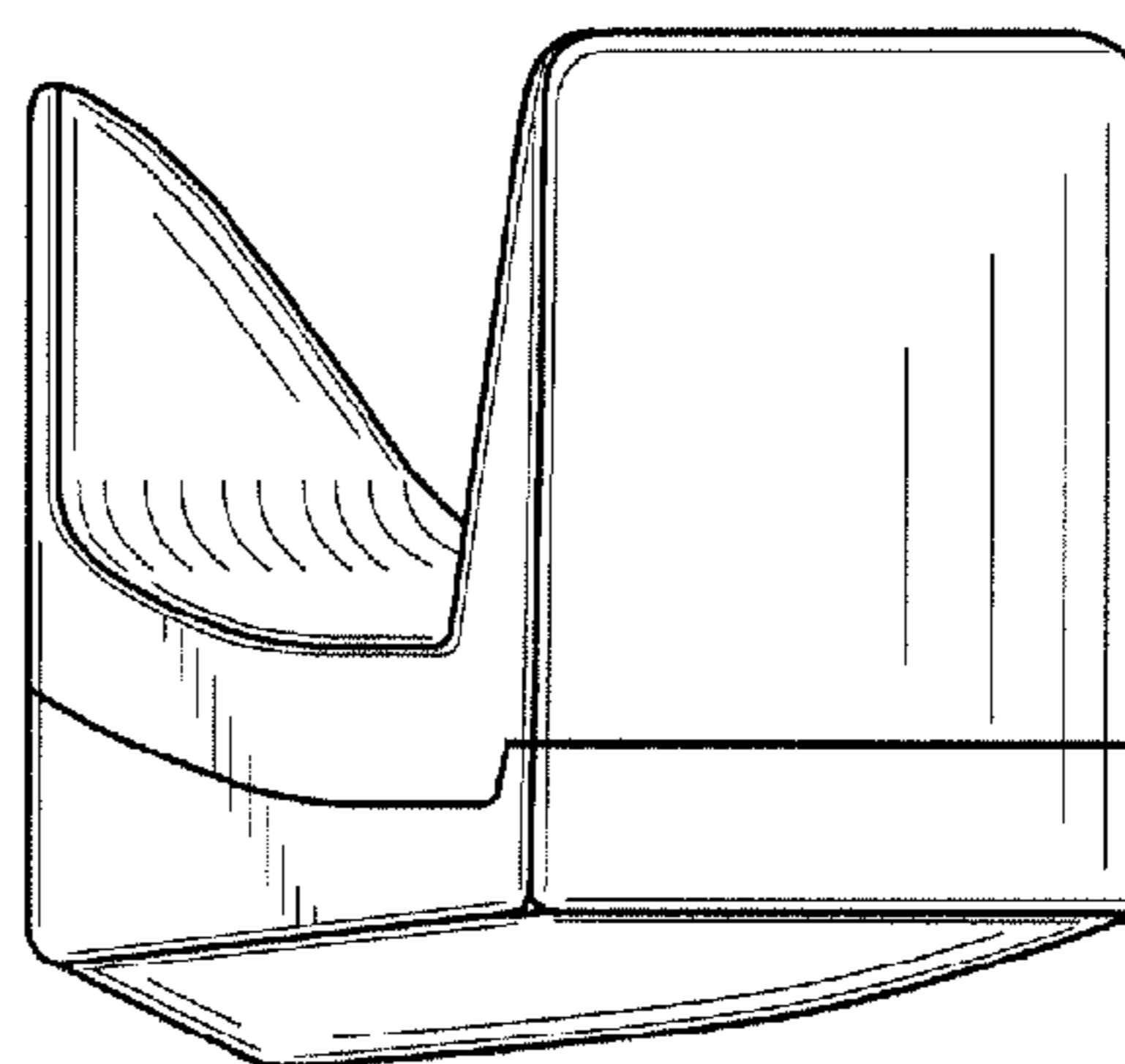


FIG. 5

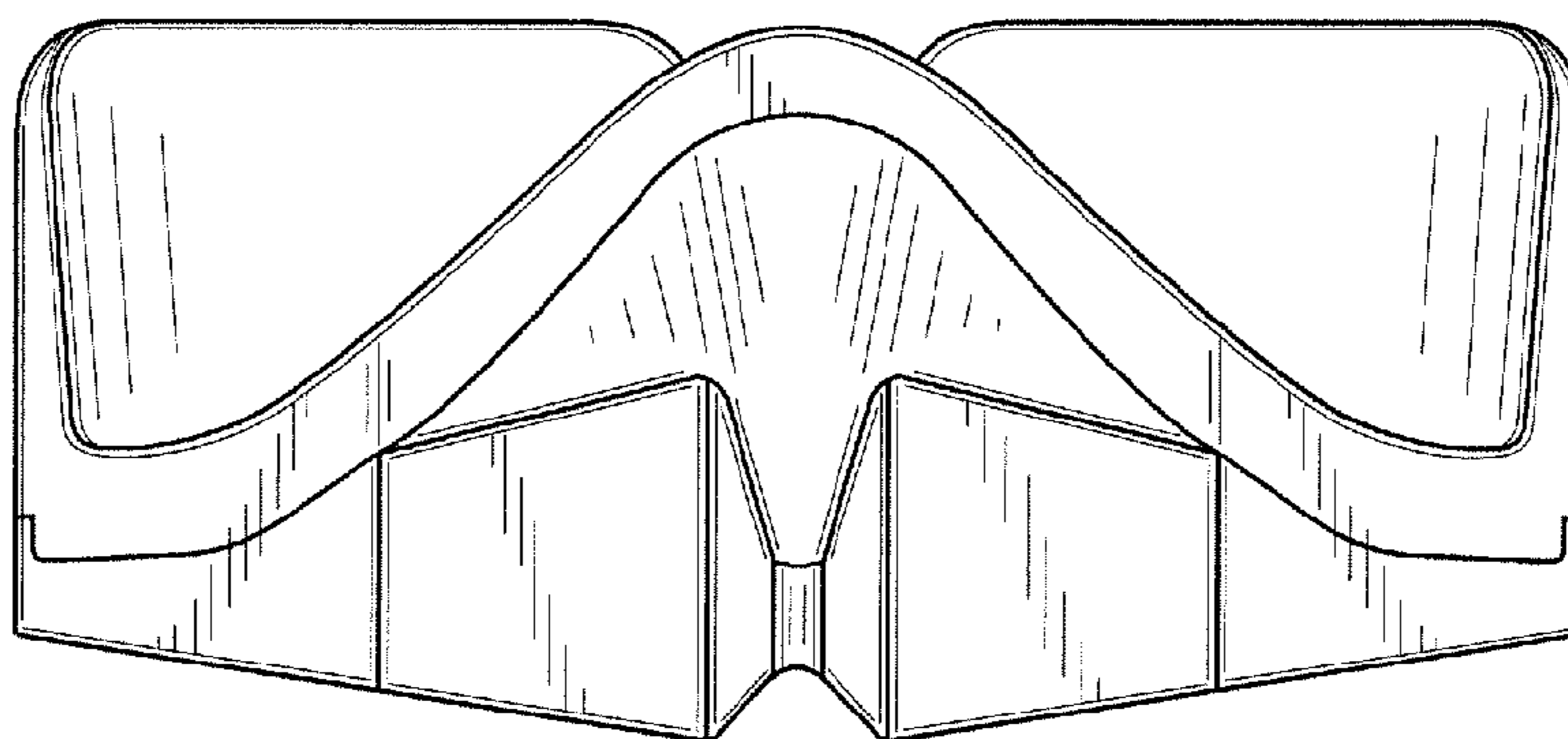


FIG. 6

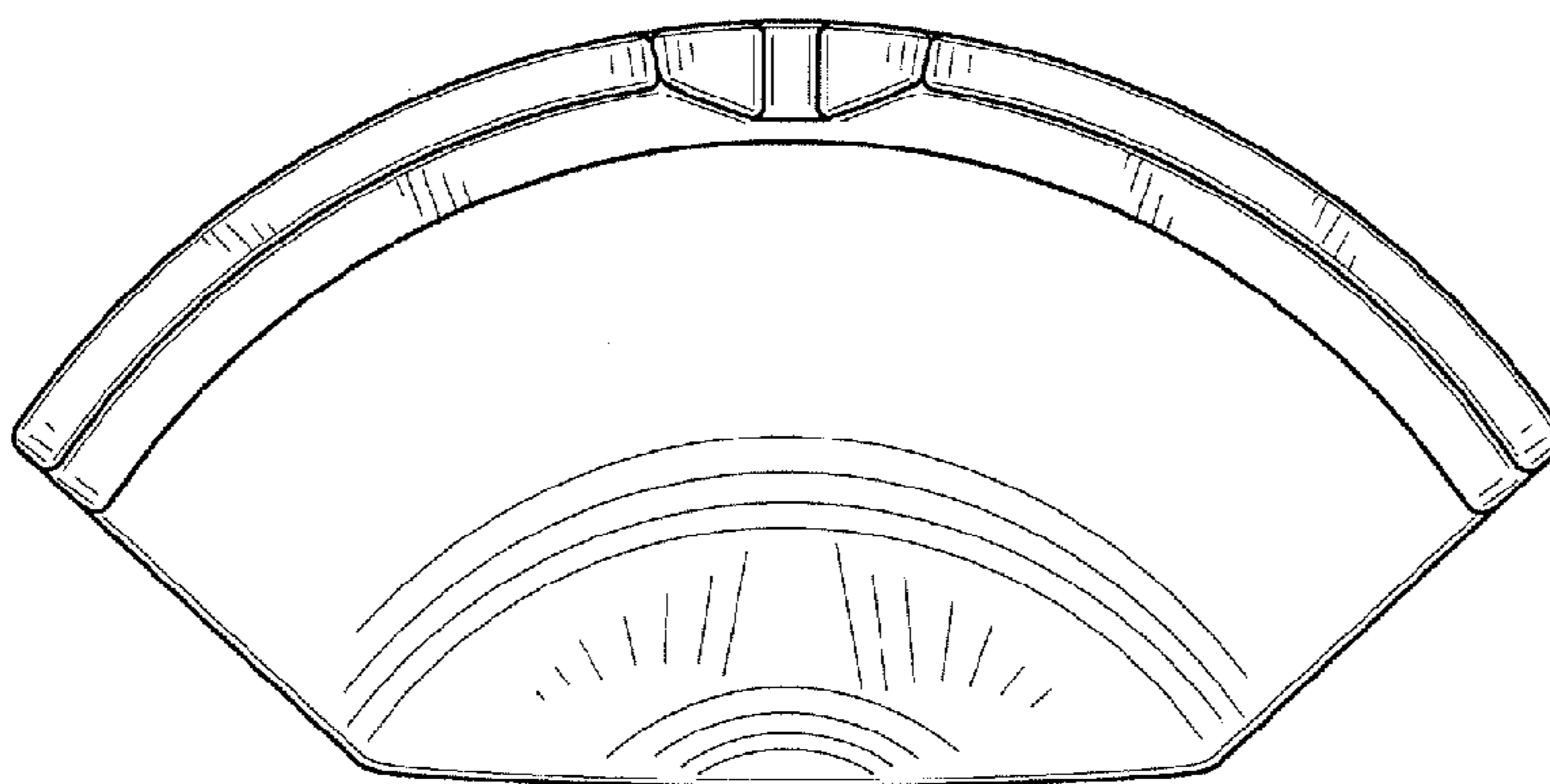


FIG. 7

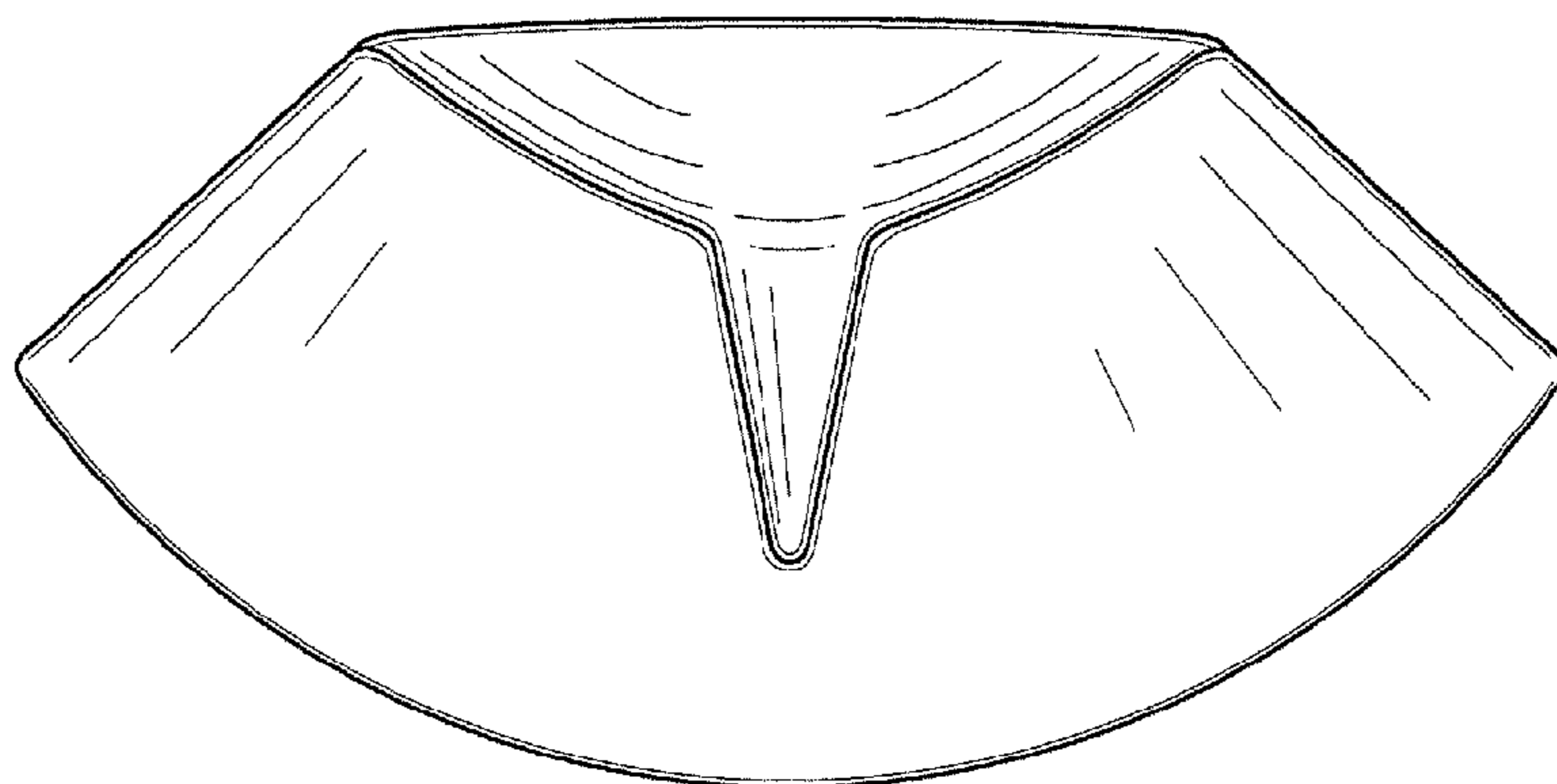


FIG. 8

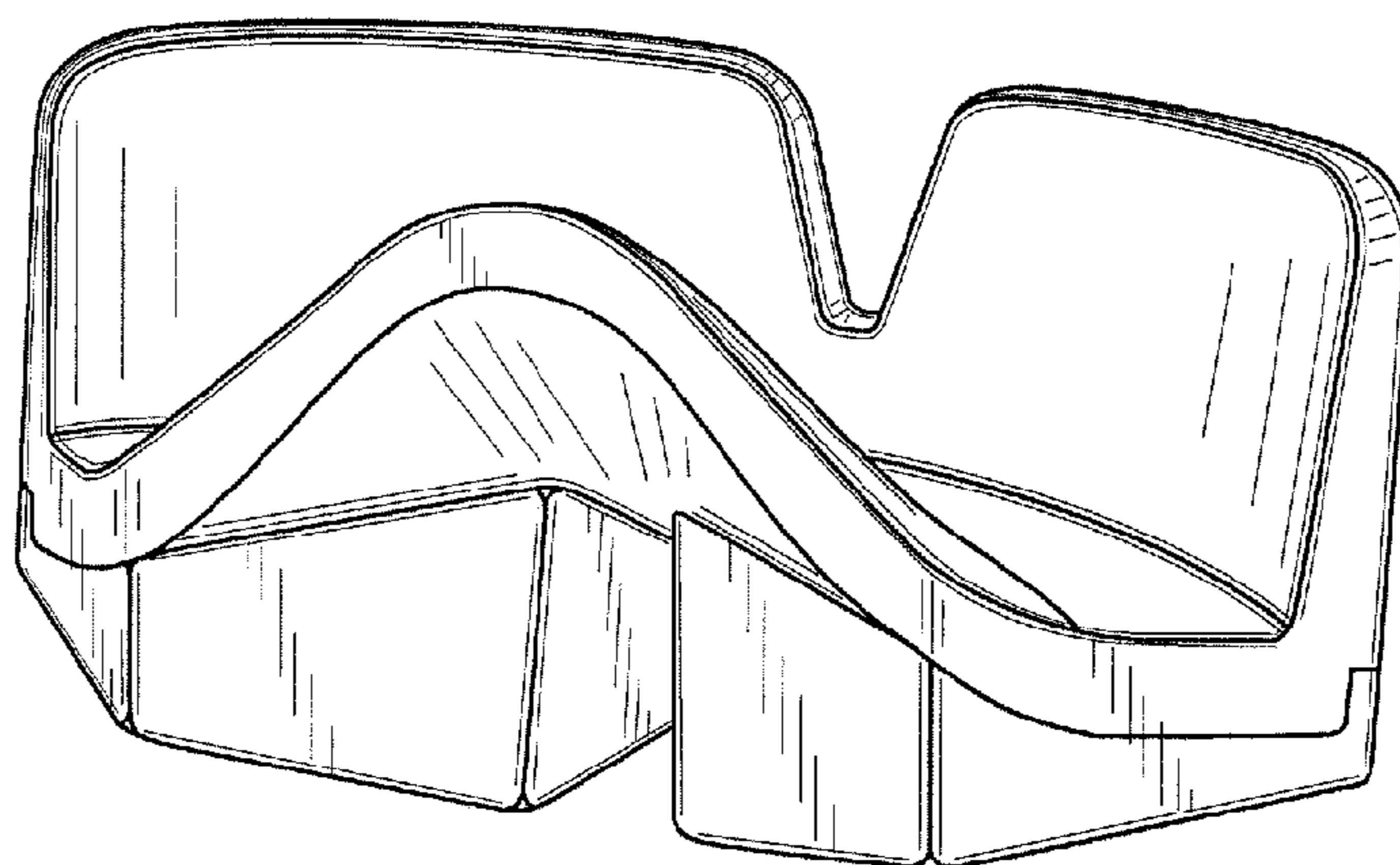


FIG. 9

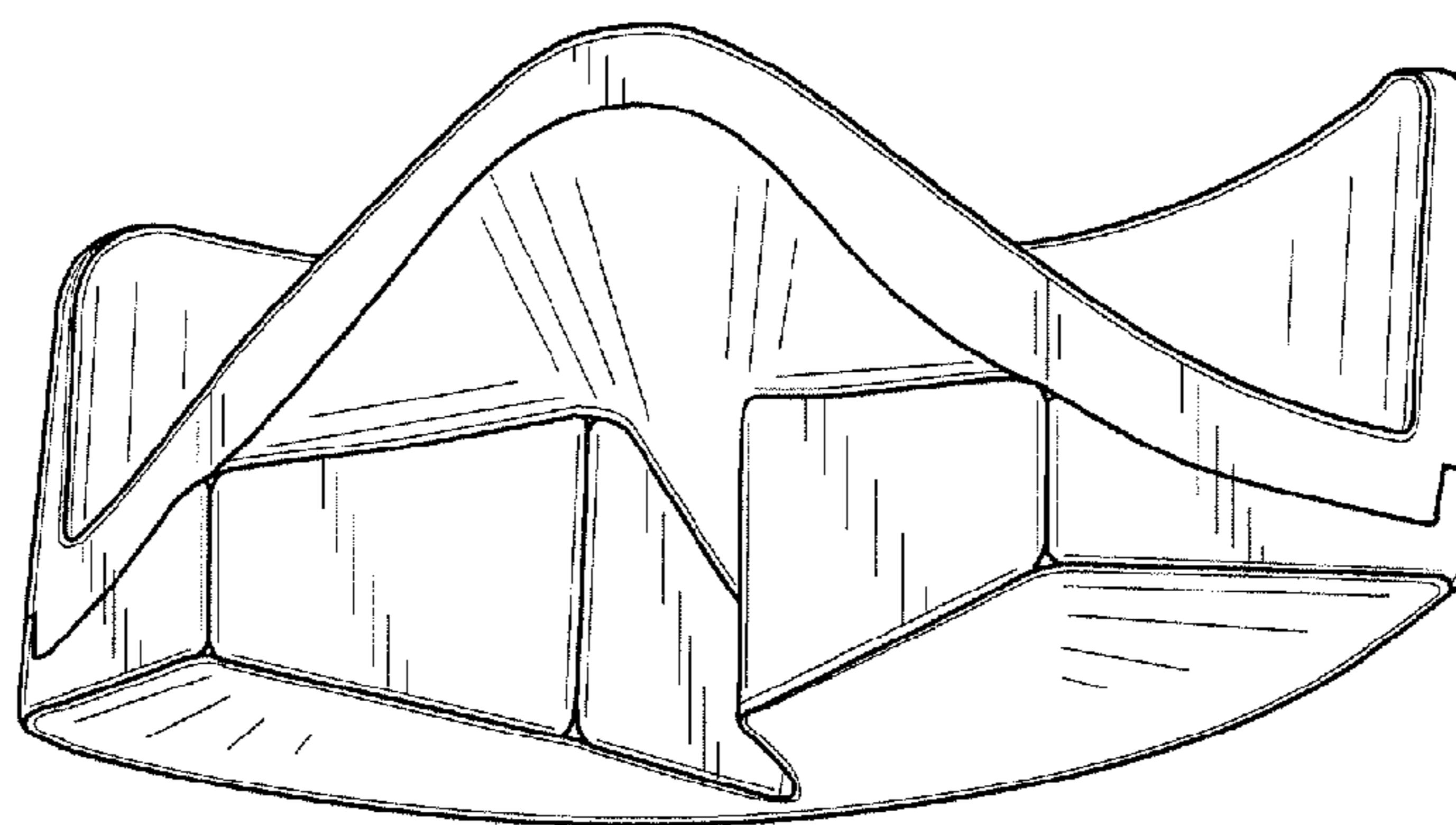


FIG. 10