



US00D649250S

(12) **United States Design Patent**  
**Ishihara et al.**

(10) **Patent No.:** **US D649,250 S**  
(45) **Date of Patent:** **\*\* Nov. 22, 2011**

(54) **SCANNER FOR X-RAY TOMOGRAPHY  
DIAGNOSIS APPARATUS**

(75) Inventors: **Tomiaki Ishihara**, Yokohama (JP);  
**Susumu Ogiwara**, Kumagaya (JP)

(73) Assignees: **Kabushiki Kaisha Toshiba**, Tokyo (JP);  
**Toshiba Medical Systems Corporation**,  
Tochigi-ken (JP)

(\*\*) Term: **14 Years**

(21) Appl. No.: **29/376,953**

(22) Filed: **Oct. 14, 2010**

(30) **Foreign Application Priority Data**

Aug. 3, 2010 (JP) ..... 2010-018919

(51) **LOC (9) Cl.** ..... **24-01**

(52) **U.S. Cl.** ..... **D24/158**

(58) **Field of Classification Search** ..... D24/158-161,  
D24/186, 183-185; 378/4, 15, 17, 20, 21,  
378/23-27, 146

See application file for complete search history.

(56) **References Cited**

**U.S. PATENT DOCUMENTS**

4,334,154	A *	6/1982	Sandland	.....	378/4
D270,182	S *	8/1983	Wagner	.....	D24/159
D347,063	S *	5/1994	Ariyoshi et al.	.....	D24/159
D399,958	S *	10/1998	Hiramatsu	.....	D24/158
D420,134	S *	2/2000	Kitayama	.....	D24/159
D432,655	S *	10/2000	Benders	.....	D24/158
D527,105	S *	8/2006	Kitayama et al.	.....	D24/158
D566,843	S *	4/2008	Ogiwara	.....	D24/158
D590,504	S *	4/2009	Ogiwara	.....	D24/158
D625,416	S *	10/2010	Kasai et al.	.....	D24/158
2001/0053203	A1 *	12/2001	Ishii et al.	.....	378/4

**OTHER PUBLICATIONS**

Extract of Nikkei Sangyo Shimbun (Newspaper) showing a computerized tomography scanner (GE Healthcare Japan/Optima CT550 pro), Apr. 8, 2010, 1 page.

\* cited by examiner

*Primary Examiner* — Anhdao Doan

(74) *Attorney, Agent, or Firm* — Ohlandt, Greeley, Ruggiero & Perle, L.L.P.

(57) **CLAIM**

The ornamental design for a scanner for x-ray tomography diagnosis apparatus, as shown and described.

**DESCRIPTION**

FIG. 1 is a front, top and left side perspective view of a scanner for x-ray tomography diagnosis apparatus, showing our new design;

FIG. 2 is a rear, top and left side perspective view thereof;

FIG. 3 is a front elevational view thereof;

FIG. 4 is a rear elevational view thereof;

FIG. 5 is a top plan view thereof;

FIG. 6 is a bottom plan view thereof;

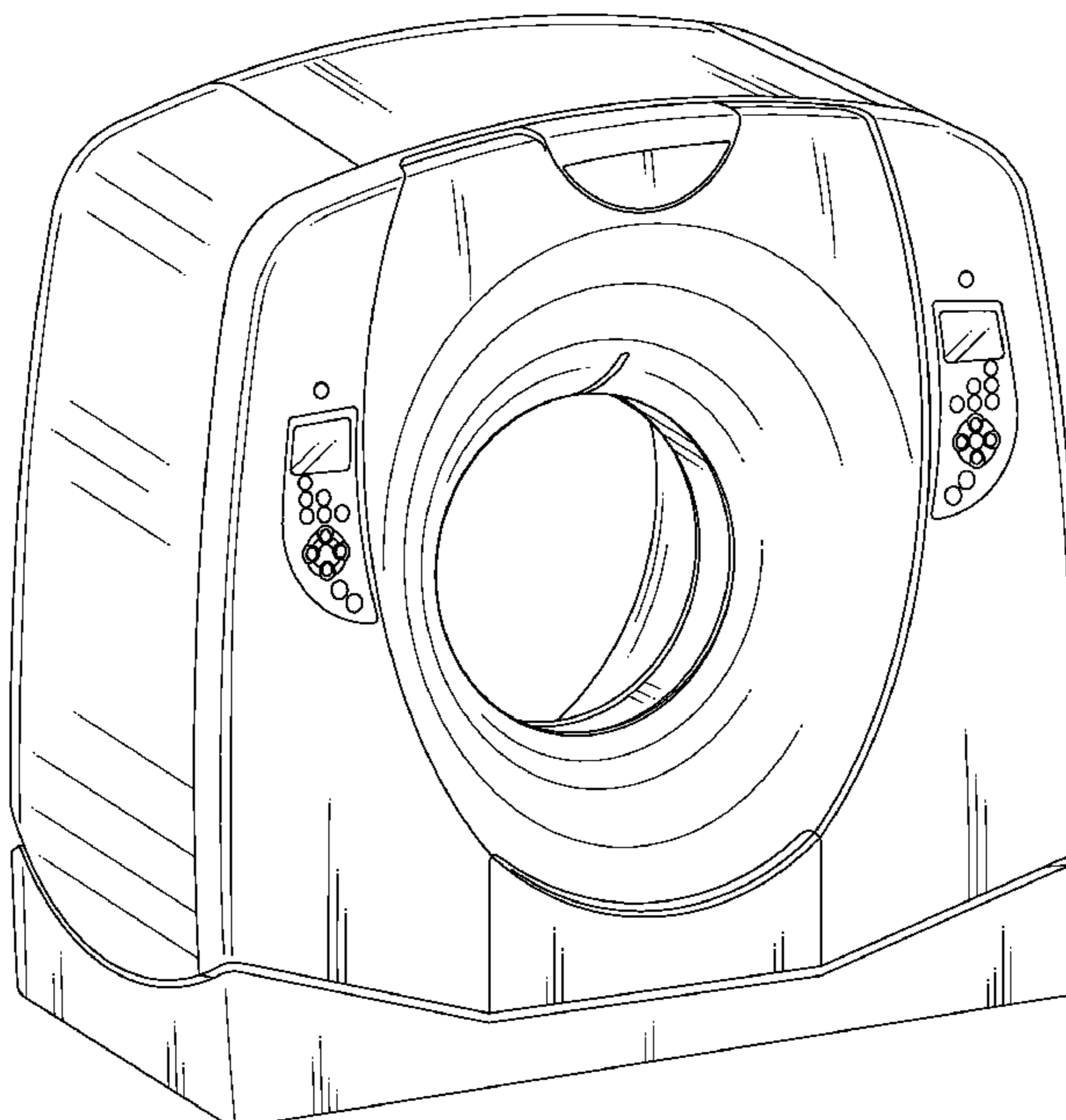
FIG. 7 is a right side elevational view thereof; the opposite side being a mirror image thereof;

FIG. 8 is a right side elevational view thereof; with the body sloped backward; and,

FIG. 9 is a right side elevational view thereof; with the body sloped forward.

The broken lines in the drawing views are included for the purpose of illustrating portions of the scanner for x-ray tomography diagnosis apparatus that form no part of the claimed design

**1 Claim, 8 Drawing Sheets**



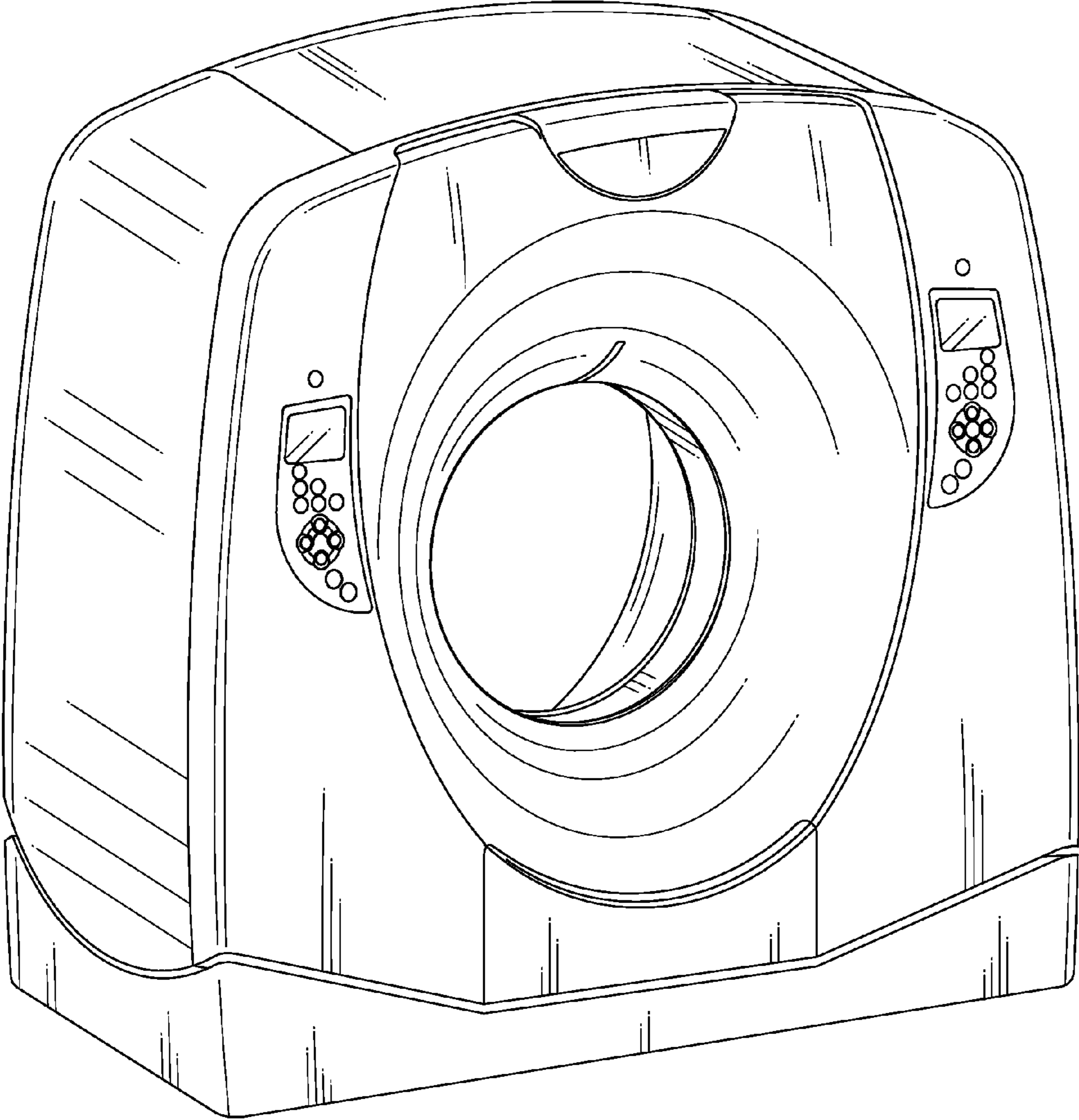


Fig. 1

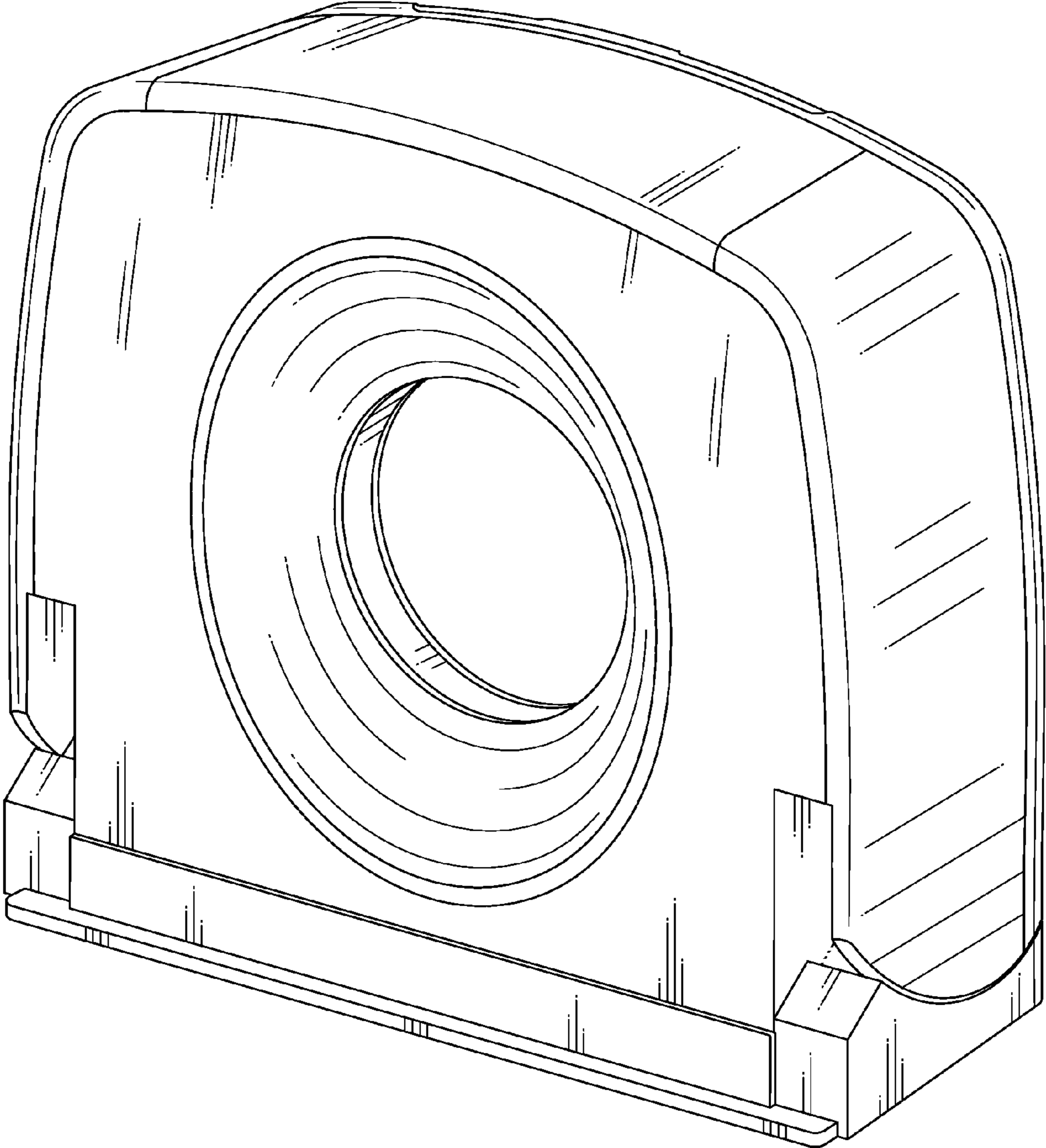


Fig. 2

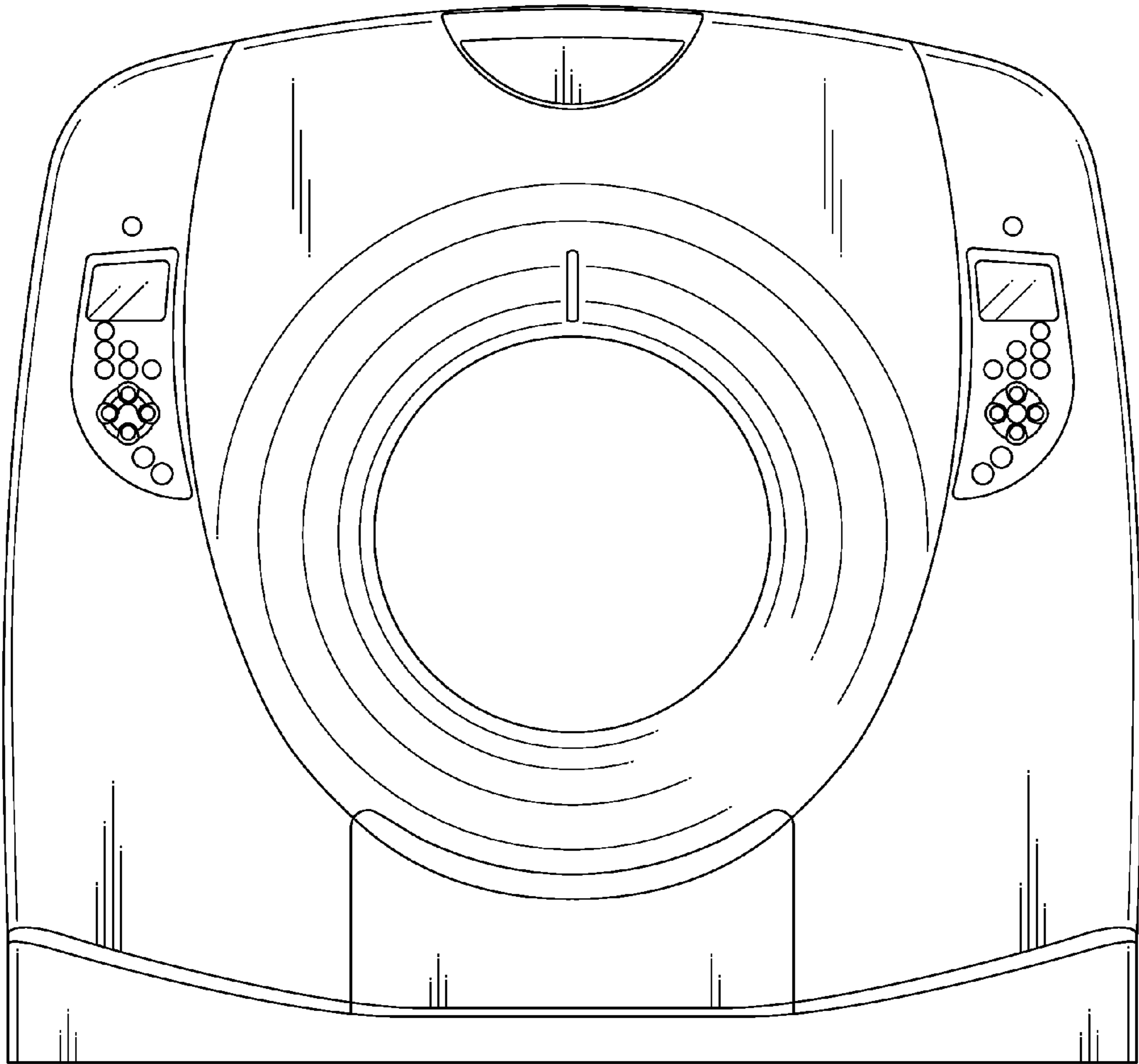


Fig. 3

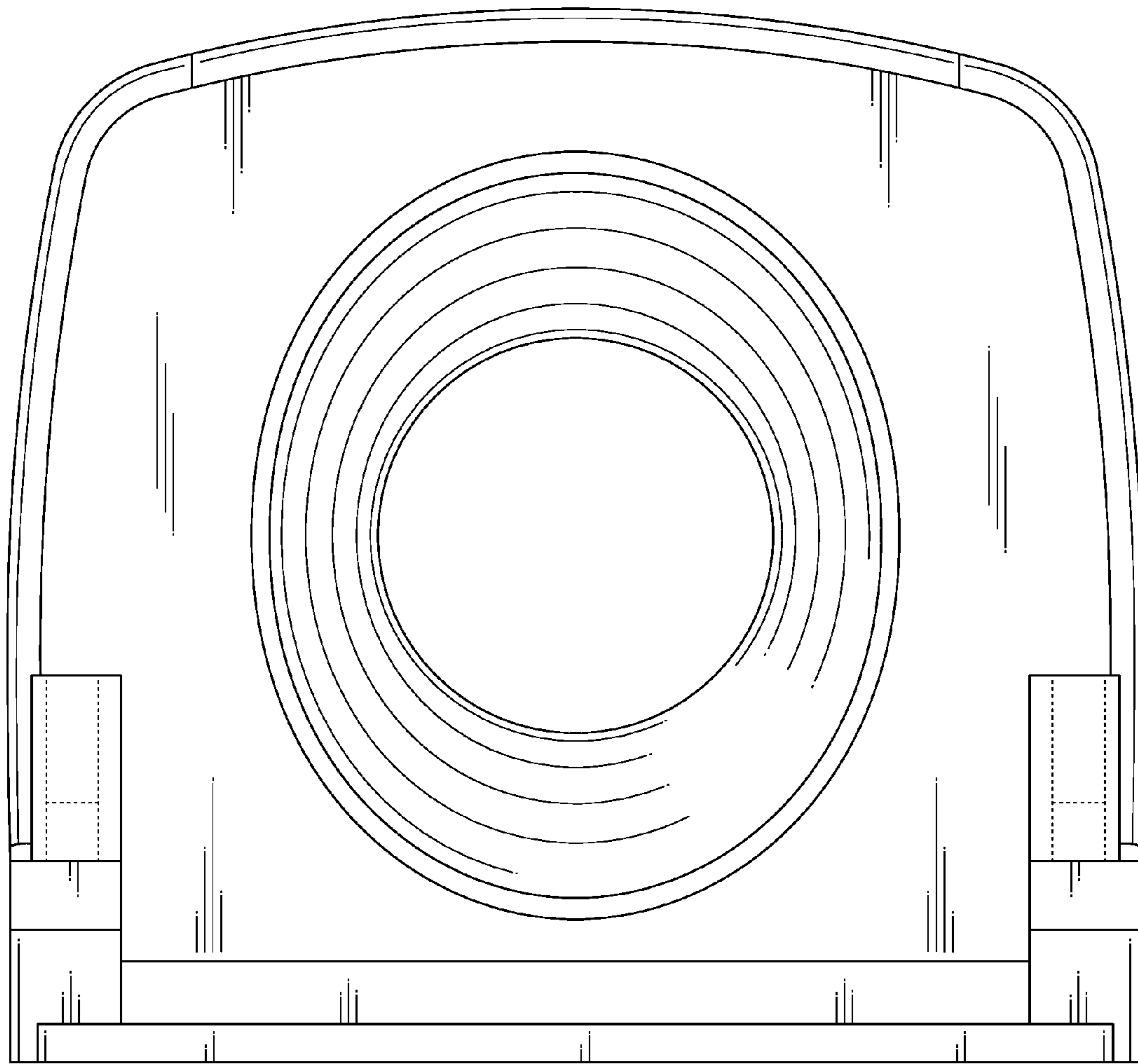


Fig. 4

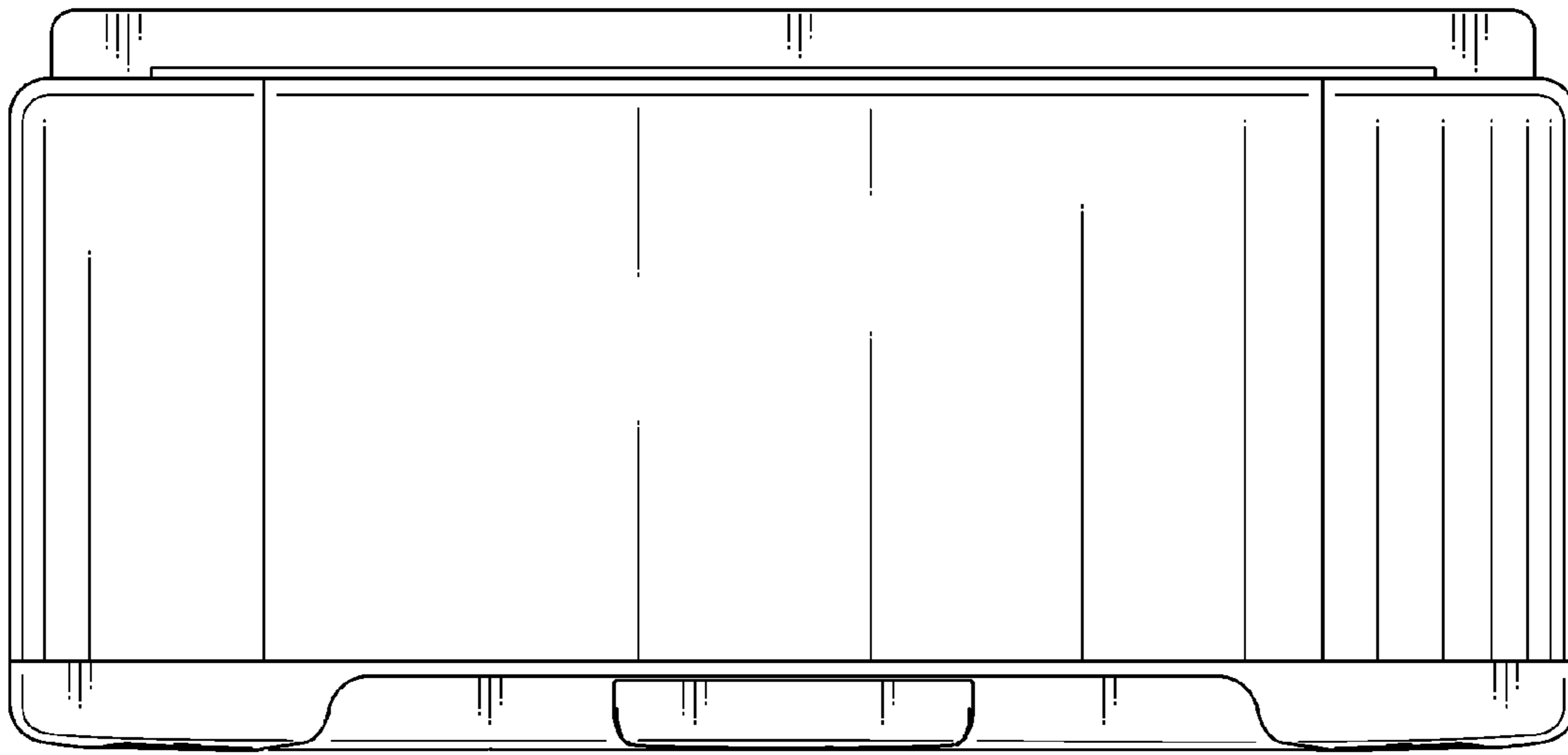


Fig. 5

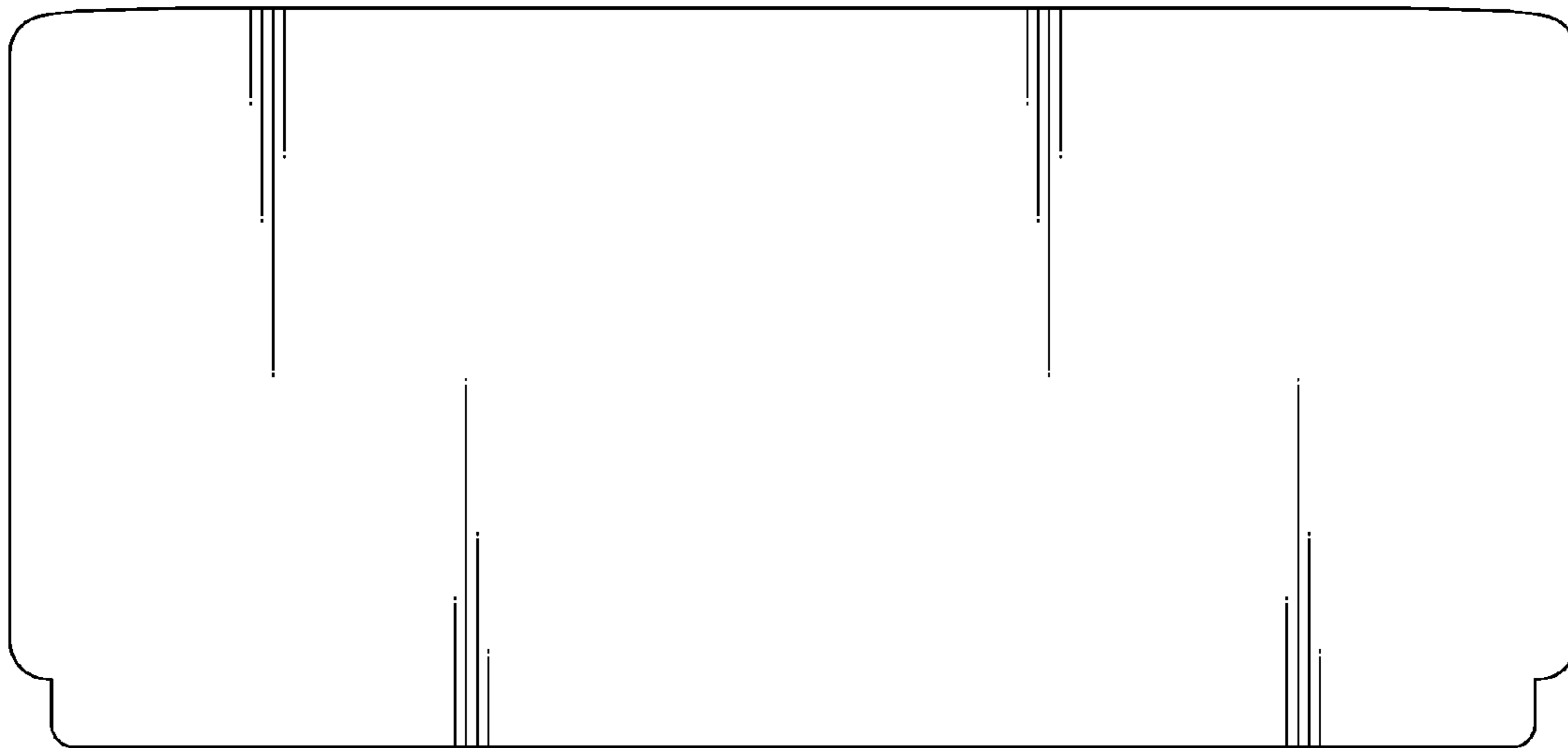


Fig. 6

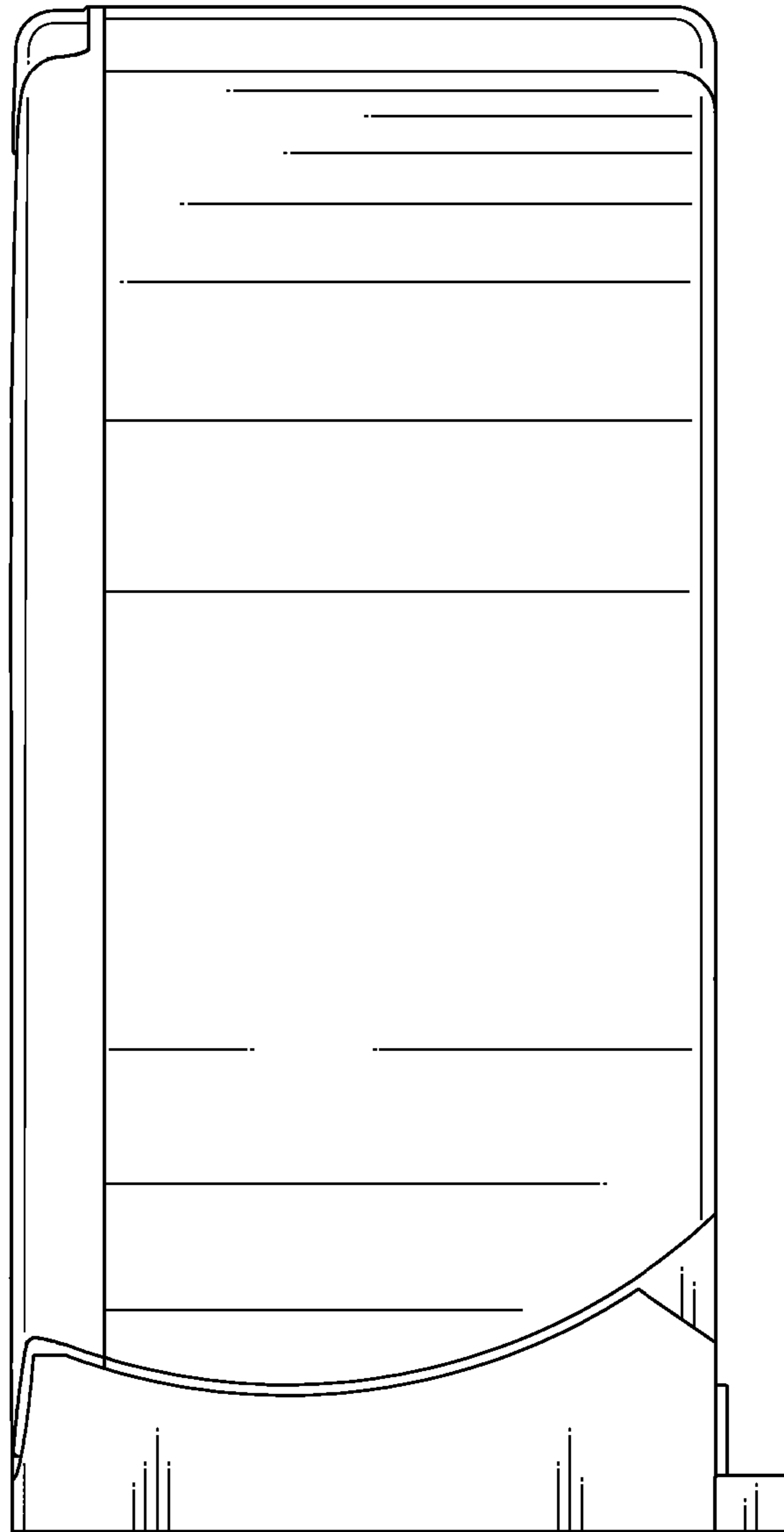


Fig. 7

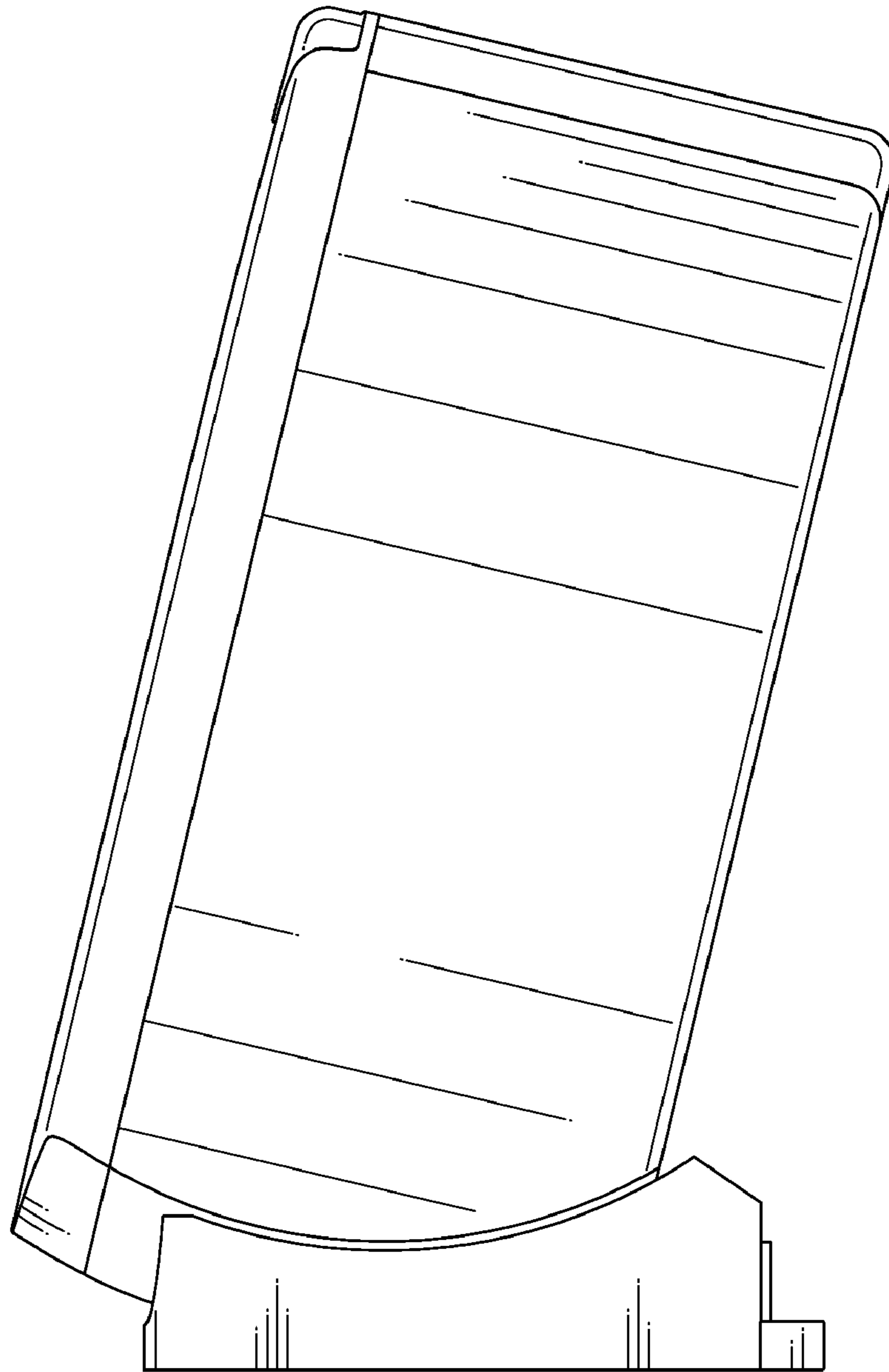


Fig. 8



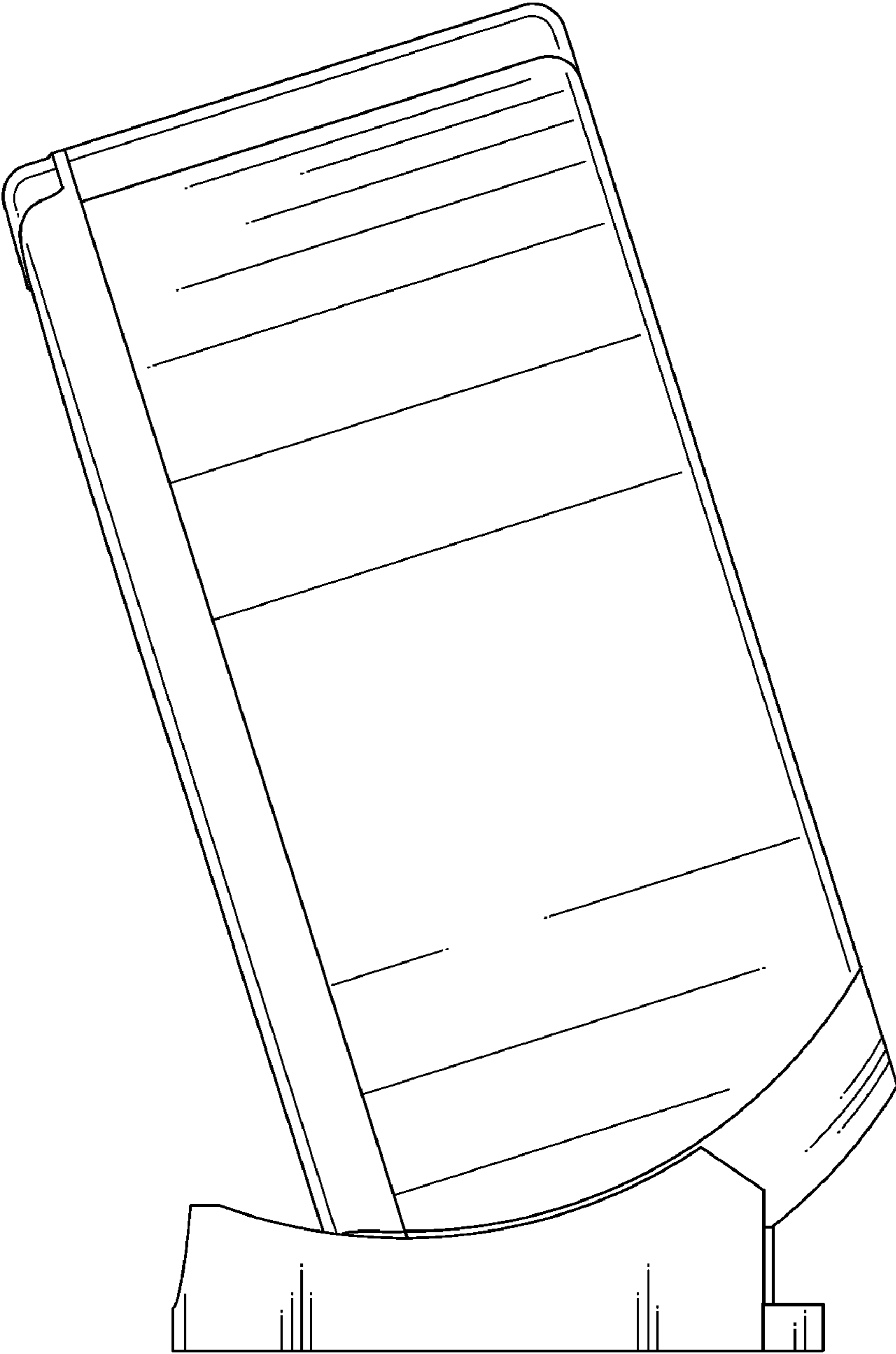


Fig. 9