



US00D649246S

(12) **United States Design Patent**
Prichett et al.

(10) **Patent No.:** **US D649,246 S**
(45) **Date of Patent:** **** Nov. 22, 2011**

(54) **ORTHOPEDIC MALLET**
(75) Inventors: **Christopher Prichett**, Southampton, PA (US); **Jeffrey Lutchendorf**, Hatfield, PA (US)

(73) Assignee: **E.F. Precision Group, Inc.**, Willow Grove, PA (US)

(**) Term: **14 Years**

(21) Appl. No.: **29/389,866**

(22) Filed: **Apr. 18, 2011**

(51) **LOC (9) Cl.** **24-02**

(52) **U.S. Cl.** **D24/142; D8/77**

(58) **Field of Classification Search** D24/142, D24/133, 147, 186; D8/75, 77, 78; D21/728; 7/143; 81/19-20, 27; 601/107, 135; 600/553, 600/557; 606/87; 623/18.11
See application file for complete search history.

(56) **References Cited**

U.S. PATENT DOCUMENTS

- 463,113 A * 11/1891 Holbrook 81/19
- D182,077 S * 2/1958 MacMinn D8/77
- D182,133 S * 2/1958 MacMinn D8/77
- D182,134 S * 2/1958 MacMinn D8/77
- D245,514 S * 8/1977 Pennebaker D24/142
- D246,755 S 12/1977 Root
- D246,948 S 1/1978 Cunningham
- D252,283 S 7/1979 Reeves-Saunders
- D283,344 S * 4/1986 Leopoldi D24/142
- D284,507 S * 7/1986 Leopoldi D24/142
- D339,972 S * 10/1993 Forman D8/77
- D350,889 S 9/1994 Frierman
- D353,001 S 11/1994 Petersen

- 5,593,346 A 1/1997 Washington
- D404,631 S 1/1999 Beam
- D413,780 S 9/1999 Beam
- D418,226 S * 12/1999 Cody et al. D24/186
- 6,179,876 B1 * 1/2001 Stamper et al. 623/18.11
- D490,679 S 6/2004 Hung
- 6,755,096 B2 * 6/2004 Schroder 81/20
- D517,888 S 3/2006 De Boer et al.
- D562,100 S 2/2008 Kamradt
- 7,467,572 B2 12/2008 Fisher et al.
- 2007/0119279 A1 5/2007 Fisher et al.
- 2010/0121334 A1 * 5/2010 Couture et al. 606/87

OTHER PUBLICATIONS

“Surgical Orthopaedic Mallets,” Medical Advanced Technology, revision Nov. 24, 2008. 12 pages. [On line], retrieved on Aug. 16, 2011. Retrieved from Internet: <URL: <http://www.google.com>>.*

* cited by examiner

Primary Examiner — Wan Laymon

(74) *Attorney, Agent, or Firm* — Caesar, Rivise, Bernstein, Cohen & Pokotilow, Ltd.

(57) **CLAIM**

The ornamental design for an orthopedic mallet, as shown and described.

DESCRIPTION

FIG. 1 is a perspective view of an orthopedic mallet in accordance with a preferred embodiment of my new design; FIG. 2 is a side elevational view thereof; FIG. 3 is an end elevational view thereof; FIG. 4 is a top plan view thereof; and, FIG. 5 is a bottom plan view thereof.

1 Claim, 1 Drawing Sheet

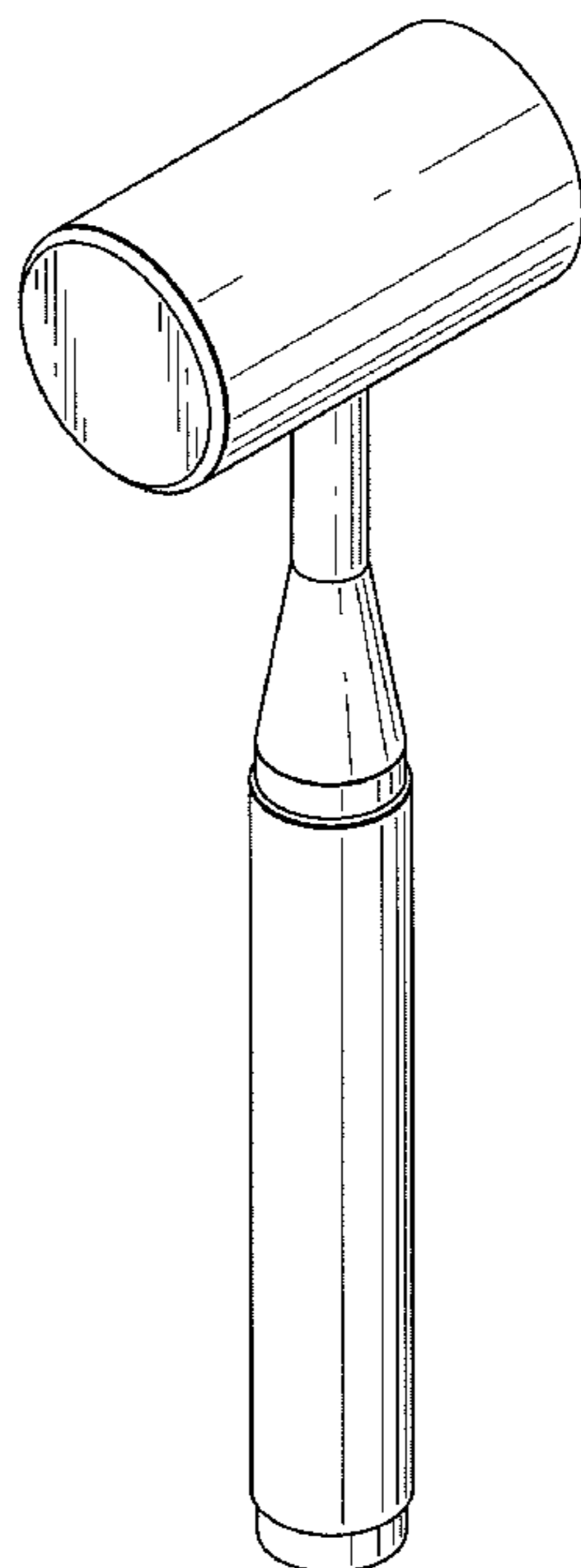


FIG.1

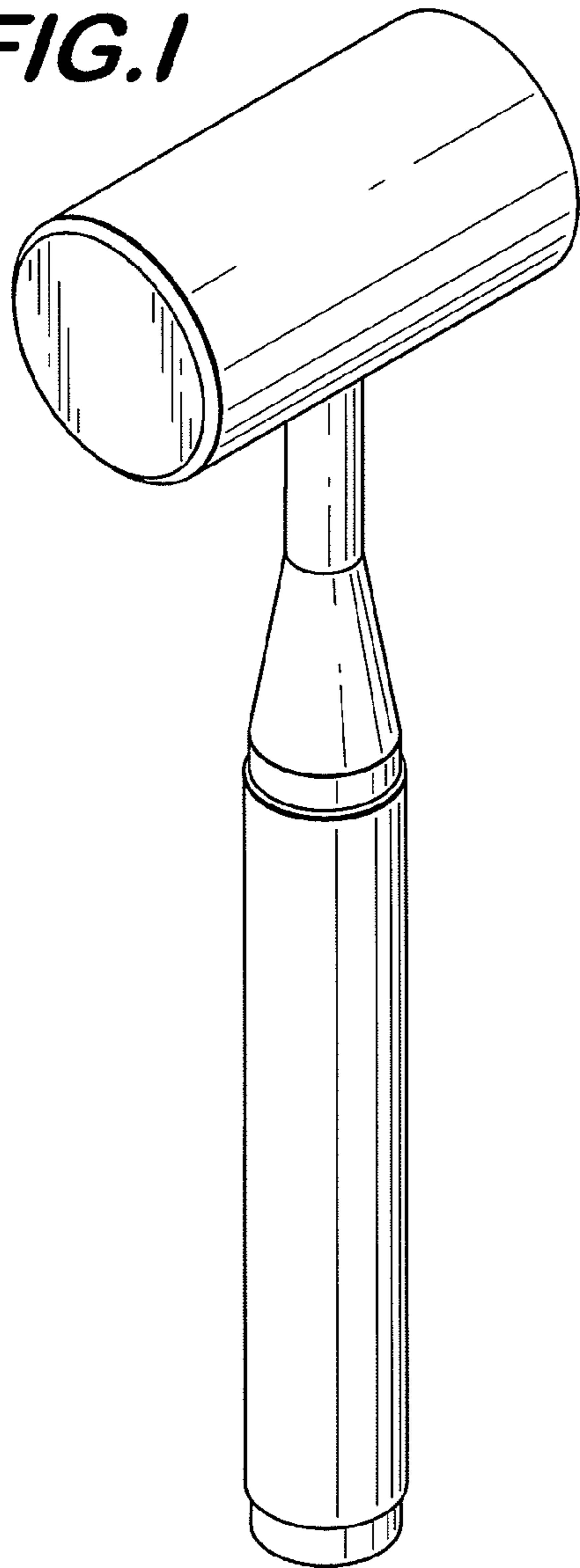


FIG.2

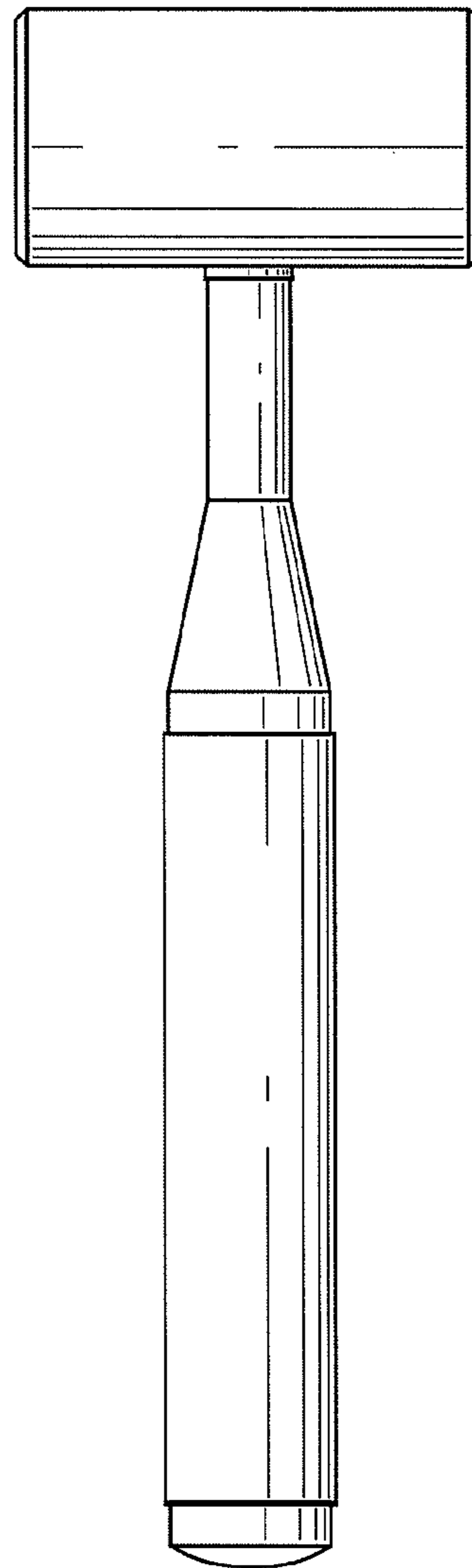


FIG.3

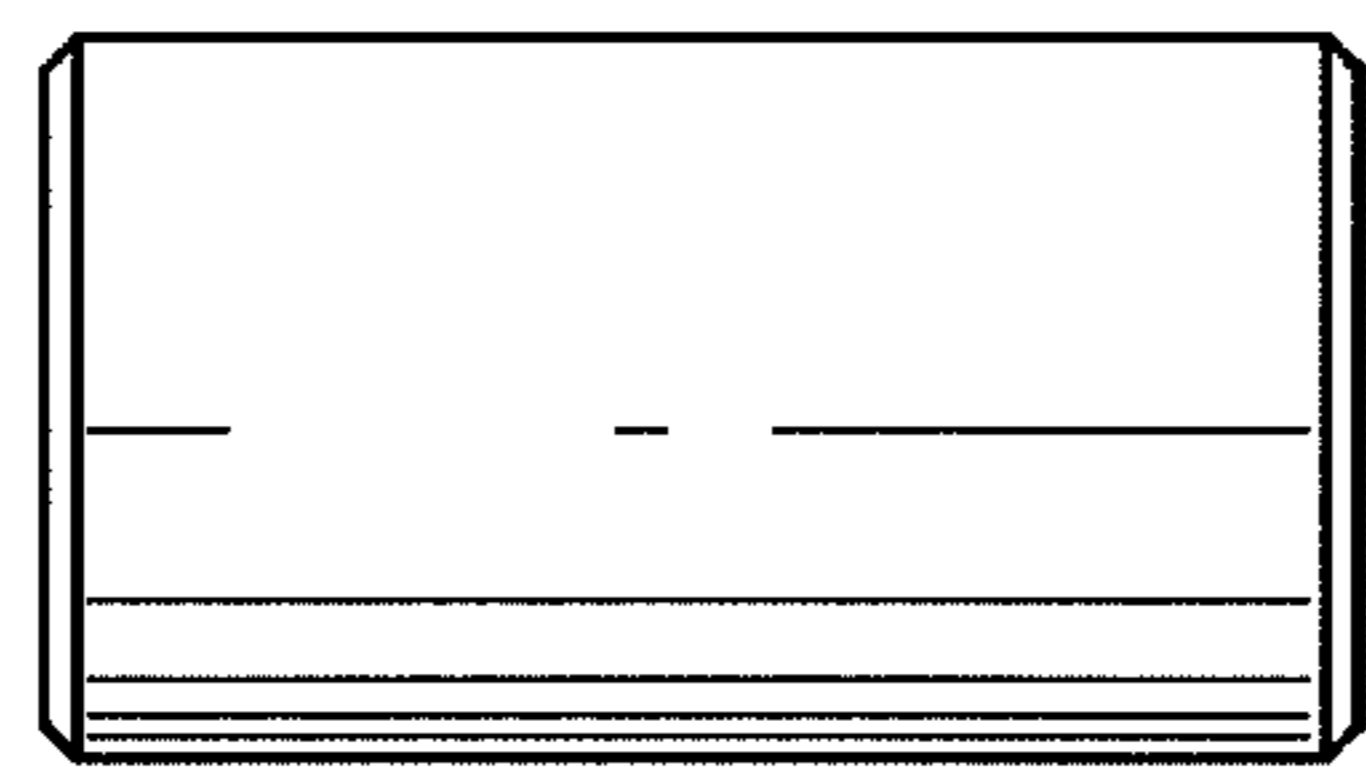
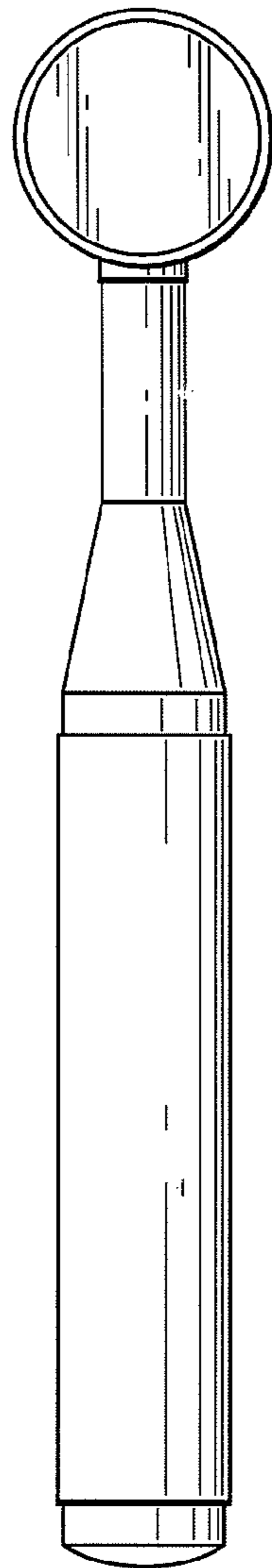


FIG.4

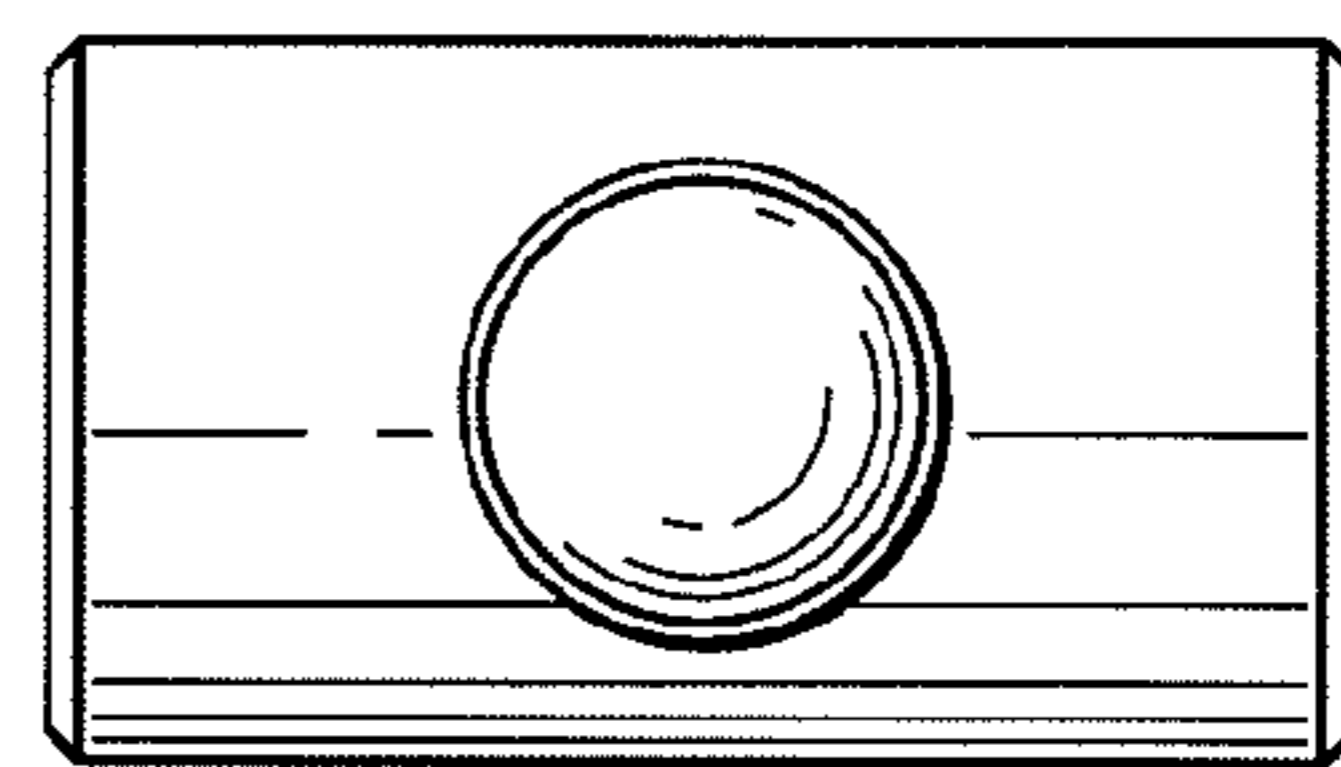


FIG.5