



US00D649245S

(12) **United States Design Patent**
Klebs et al.

(10) **Patent No.:** **US D649,245 S**

(45) **Date of Patent:** **** Nov. 22, 2011**

(54) **TATTOO NEEDLE STABILIZATION CLIP**

(76) Inventors: **David Klebs**, West Jordan, UT (US);
Jonathan Castle, Midvale, UT (US)

(**) Term: **14 Years**

(21) Appl. No.: **29/385,293**

(22) Filed: **Feb. 11, 2011**

(51) **LOC (9) Cl.** **24-02**

(52) **U.S. Cl.** **D24/140**

(58) **Field of Classification Search** D24/133,
D24/140; 606/186; 81/9.22

See application file for complete search history.

(56) **References Cited**

U.S. PATENT DOCUMENTS

5,551,319 A * 9/1996 Spaulding et al. 81/9.22
7,207,242 B1 * 4/2007 Daigle 81/9.22
D609,339 S * 2/2010 Myers D24/133

D629,898 S * 12/2010 Bigelow D24/137
D631,960 S * 2/2011 Myers D24/133
2003/0195542 A1 * 10/2003 Lee 606/186

* cited by examiner

Primary Examiner — Bridget L Eland

(57) **CLAIM**

The ornamental design for a tattoo needle stabilization clip, as shown and described.

DESCRIPTION

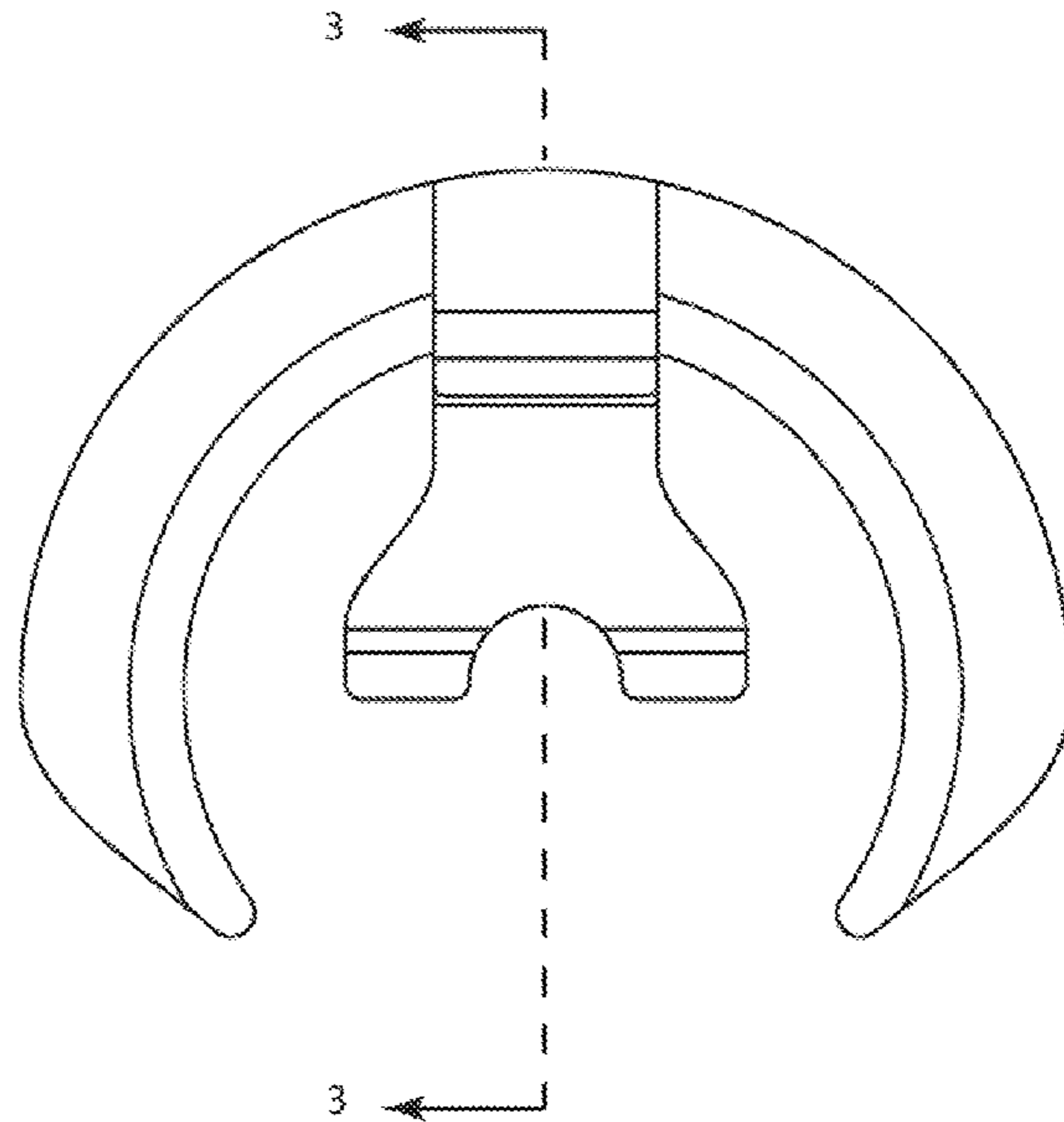
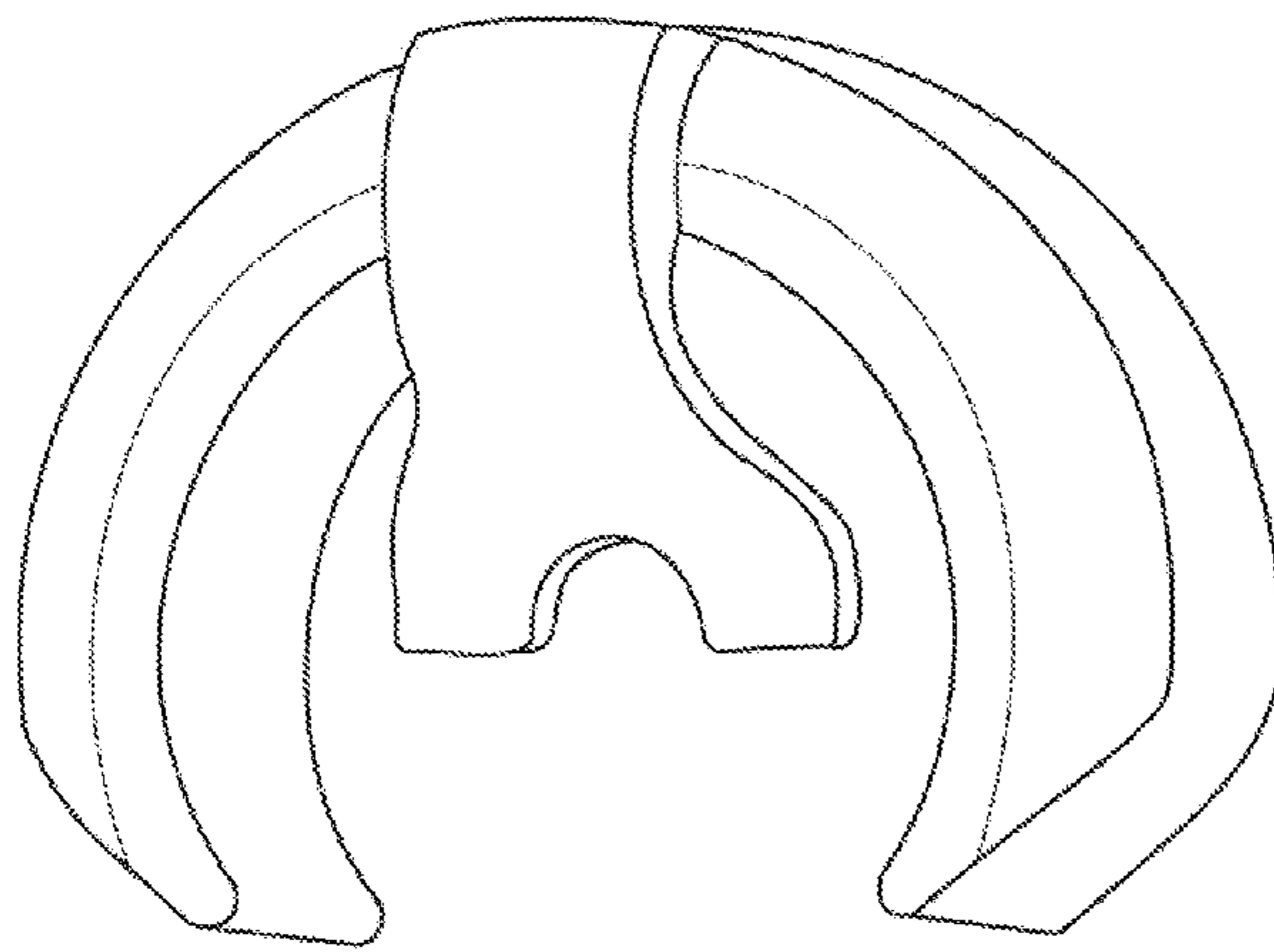
FIG. 1 front perspective view of tattoo needle stabilization clip;

FIG. 2 back perspective view of tattoo needle stabilization clip;

FIG. 3 section view taken in the direction of line 3-3 shown in FIG. 4; and,

FIG. 4 is a front view of a tattoo needle stabilization clip.

1 Claim, 4 Drawing Sheets



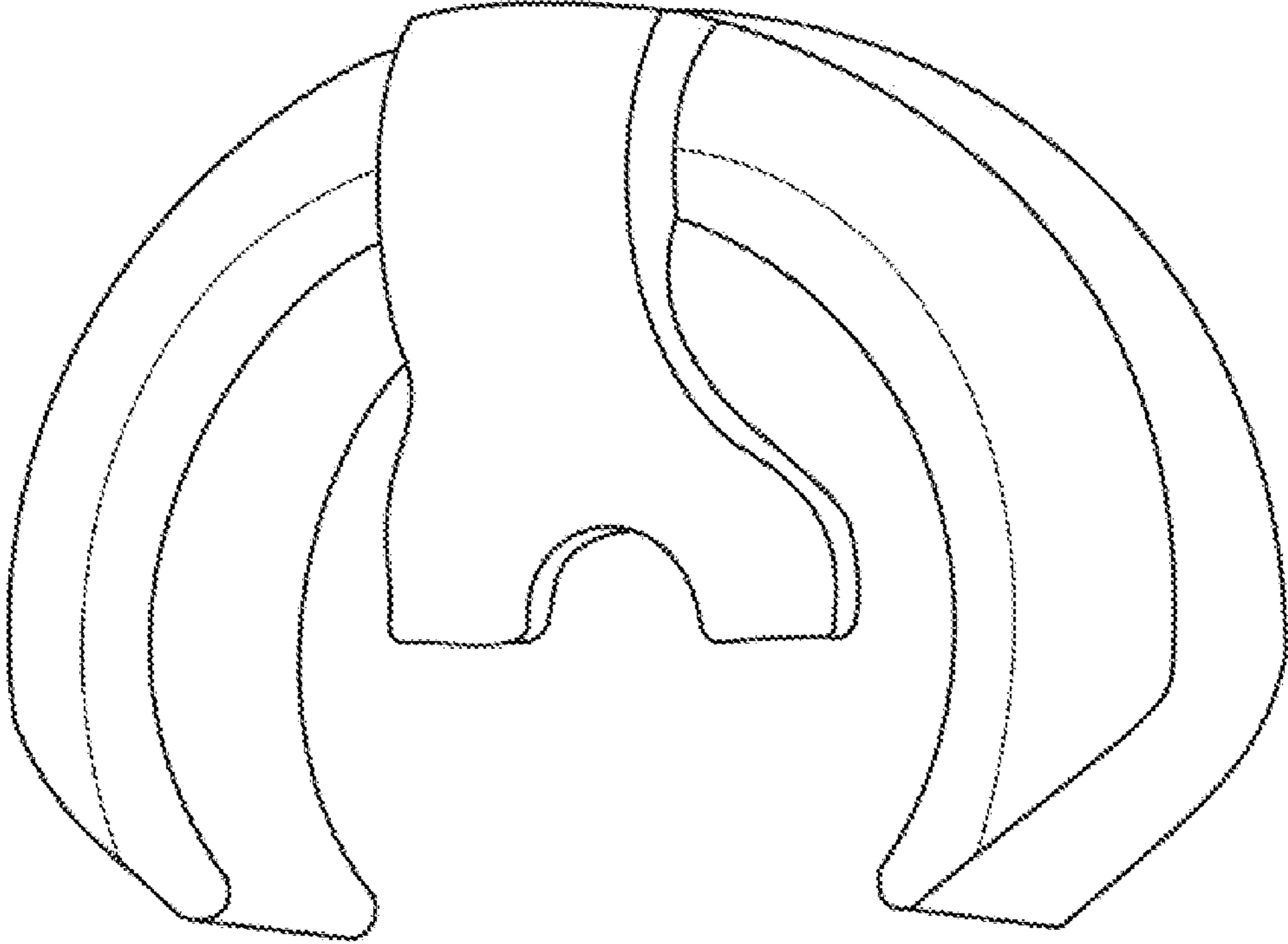


FIG. 1

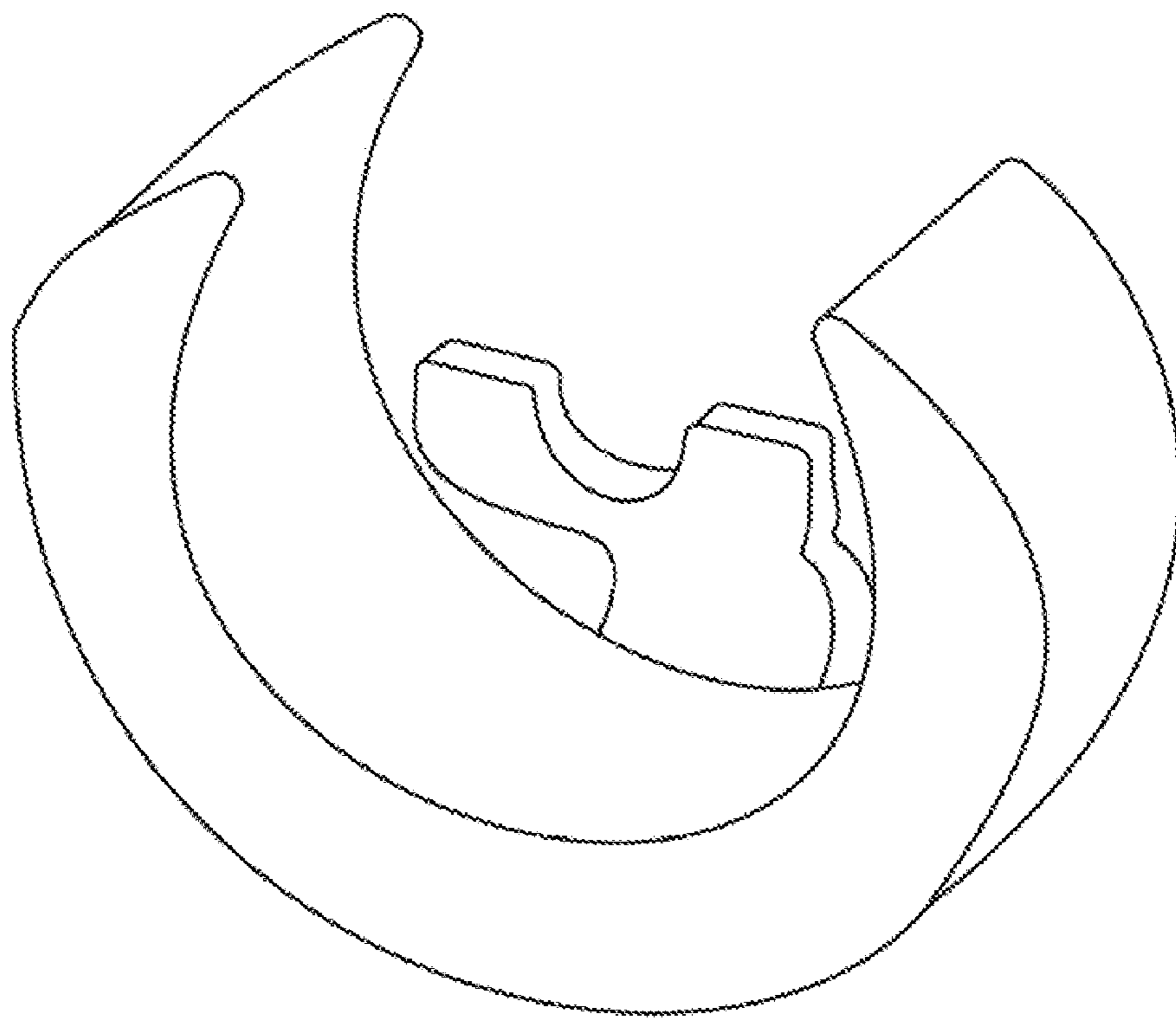


FIG. 2

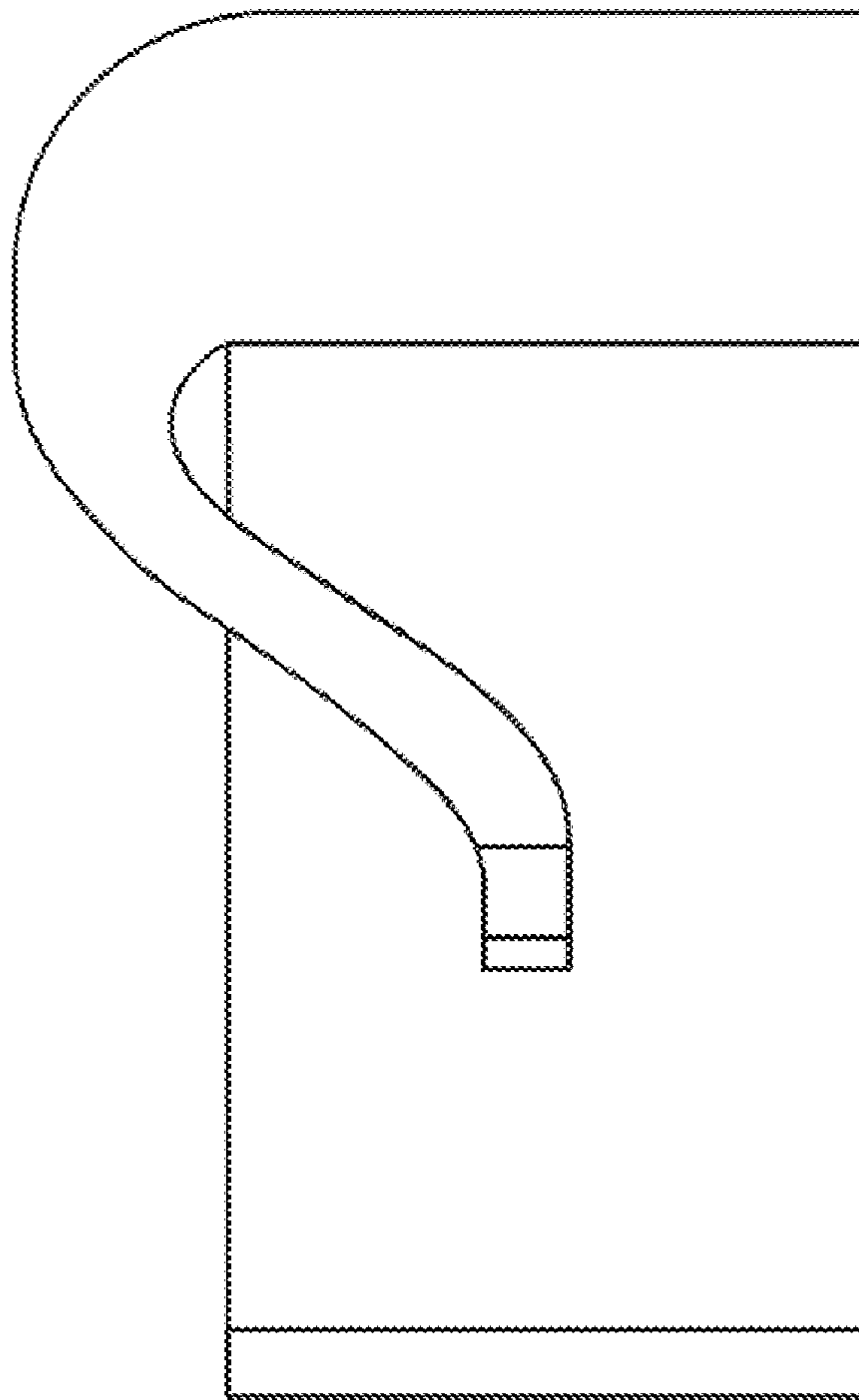


FIG. 3

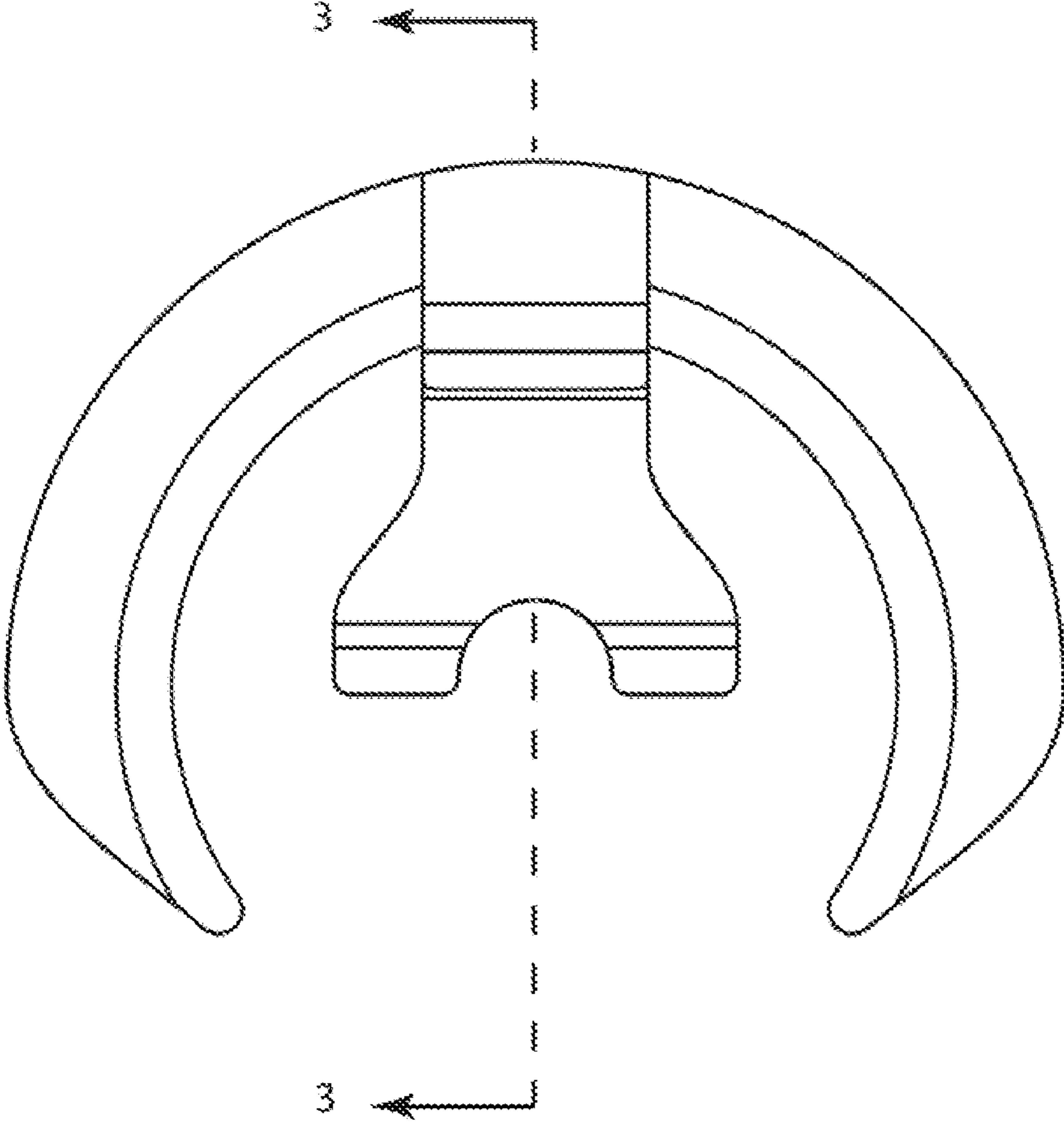


FIG. 4