

US00D649243S

(12) **United States Design Patent**
Barry et al.

(10) **Patent No.:** **US D649,243 S**

(45) **Date of Patent:** **** Nov. 22, 2011**

(54) **PUSHER FOR A ROD REDUCTION DEVICE**

(75) Inventors: **David Barry**, Brooklyn, NY (US);
Elwood H. Greene, Jr., Allentown, PA
(US); **Matthew Jacobs**, Morristown, NJ
(US); **Robert Neal**, Morris Plains, NJ
(US)

(73) Assignee: **EBI, LLC**, Parsippany, NJ (US)

(**) Term: **14 Years**

(21) Appl. No.: **29/391,226**

(22) Filed: **May 5, 2011**

(51) **LOC (9) Cl.** **24-02**

(52) **U.S. Cl.** **D24/133**

(58) **Field of Classification Search** D24/133,
D24/135, 140, 144, 145; 606/86 A

See application file for complete search history.

(56) **References Cited**

U.S. PATENT DOCUMENTS

5,235,988	A *	8/1993	Johnson et al.	600/587
5,316,013	A *	5/1994	Striebel et al.	600/567
D359,355	S *	6/1995	Ferragamo et al.	D24/145
D374,283	S *	10/1996	Michelson	D24/135
5,720,751	A	2/1998	Jackson	
D397,436	S *	8/1998	Michelson	D24/135
6,183,472	B1	2/2001	Lutz	
6,440,133	B1	8/2002	Beale et al.	
6,616,594	B2 *	9/2003	Fontayne et al.	600/7
7,156,849	B2	1/2007	Dunbar et al.	
D547,451	S *	7/2007	Asfora	D24/146
7,470,279	B2	12/2008	Jackson	
D593,202	S *	5/2009	Petersen	D24/146
7,572,281	B2	8/2009	Runco et al.	
D599,479	S *	9/2009	Petersen	D24/133
D600,806	S *	9/2009	Horton et al.	D24/133
7,651,502	B2	1/2010	Jackson	
7,824,411	B2	11/2010	Varieur et al.	
7,842,044	B2	11/2010	Runco et al.	

2003/0225408	A1	12/2003	Nichols et al.
2004/0147936	A1	7/2004	Rosenberg et al.
2004/0267275	A1	12/2004	Cournoyer et al.
2006/0111730	A1	5/2006	Hay
2007/0270868	A1	11/2007	Dewey
2008/0077138	A1	3/2008	Cohen et al.
2008/0125788	A1	5/2008	Cohen et al.
2008/0234765	A1	9/2008	Frasier et al.
2008/0243190	A1	10/2008	Dziedzic et al.
2009/0018593	A1	1/2009	Barrus et al.

(Continued)

FOREIGN PATENT DOCUMENTS

WO WO 2010/085628 7/2010

OTHER PUBLICATIONS

“Polaris™ 5.5 Surgical Technique,” brochure, Biomet, Inc. (2008) 24 pages.

“Array™ Surgical Technique,” brochure, Biomet, Inc. (2008) 48 pages.

(Continued)

Primary Examiner — Bridget L Eland

(74) Attorney, Agent, or Firm — Harness, Dickey

(57) **CLAIM**

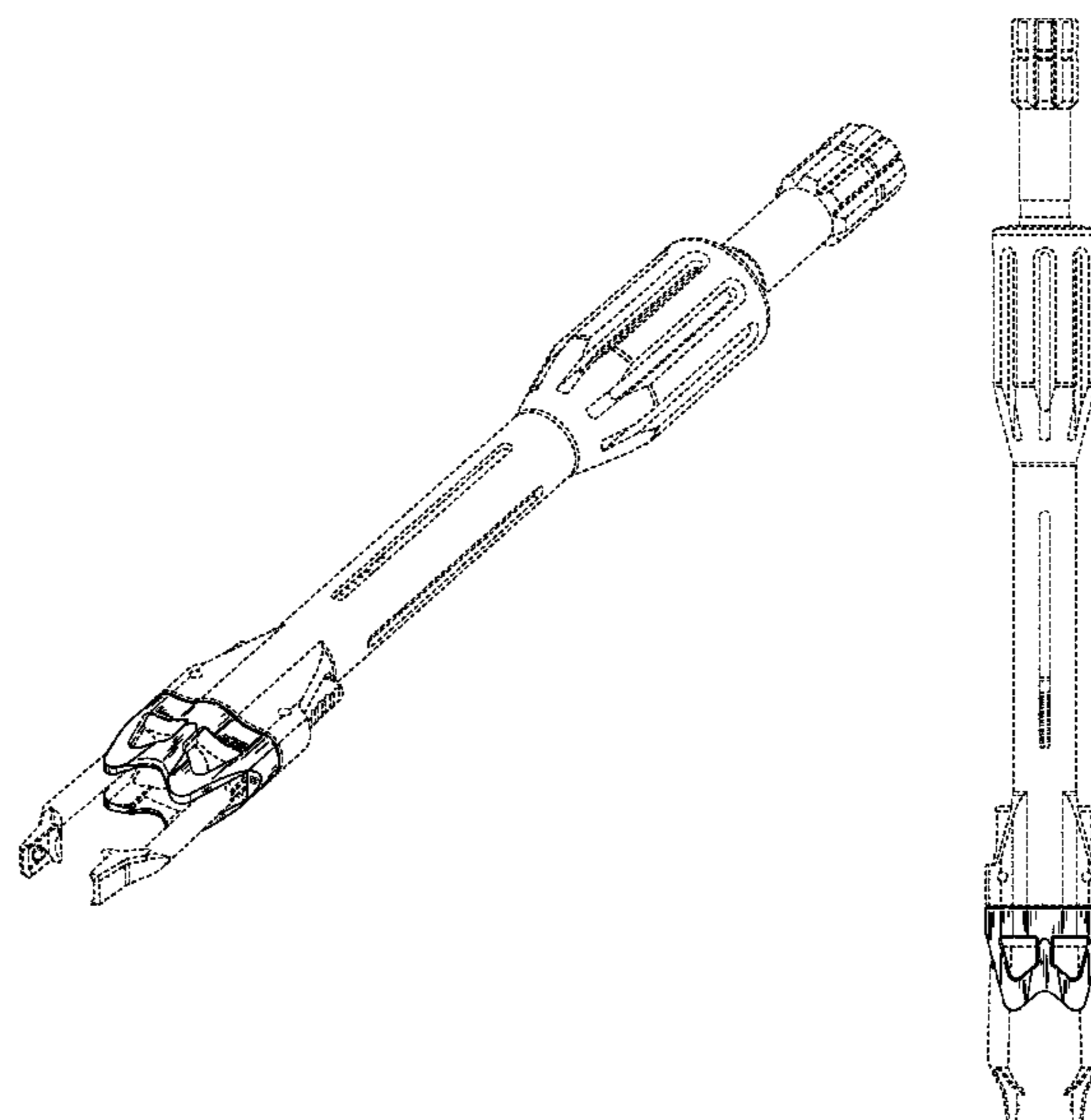
The ornamental design for a pusher for a rod reduction device, as shown and described.

DESCRIPTION

FIG. 1 is a perspective view of a pusher for a rod reduction device in accordance with our design; FIG. 2 is a distal end view thereof; FIG. 3 is a proximal end view thereof; FIG. 4 is a right side view thereof; and, FIG. 5 is a front view thereof.

The broken lines showing the remainder of the device are directed to environment and are for illustrative purposes only; the broken lines form no part of the claimed design.

1 Claim, 3 Drawing Sheets



US D649,243 S

Page 2

U.S. PATENT DOCUMENTS

2009/0157125 A1 6/2009 Hoffman et al.
2010/0036434 A1 2/2010 Ely
2010/0137875 A1 6/2010 Marino et al.
2010/0185242 A1 7/2010 Barry et al.
2010/0185248 A1 7/2010 Barry et al.
2010/0292742 A1 11/2010 Stad et al.
2011/0034961 A1 2/2011 Runco et al.
2011/0087298 A1 4/2011 Jones
2011/0093022 A1* 4/2011 Runco et al. 606/86 A
2011/0118791 A1 5/2011 Nunley et al.

OTHER PUBLICATIONS

“Ballista™ Percutaneous Screw Placement System Surgical Technique,” brochure, Biomet, Inc. (2008) 28 pages.
K2M Complex Spine Innovations; “Serengeti® Minimally Invasive Retractor System” (flyer); K2M, Inc., 751 Miller Drive SE, Leesburg, VA 20175, USA; www.K2M.com; link: k2mmc.k2medical.com/MasterControl/main/mastercontrol/vault/view_pdf.cfm?ui=071311041614&infocardID=3F5AC8C407ACA0449A.

* cited by examiner

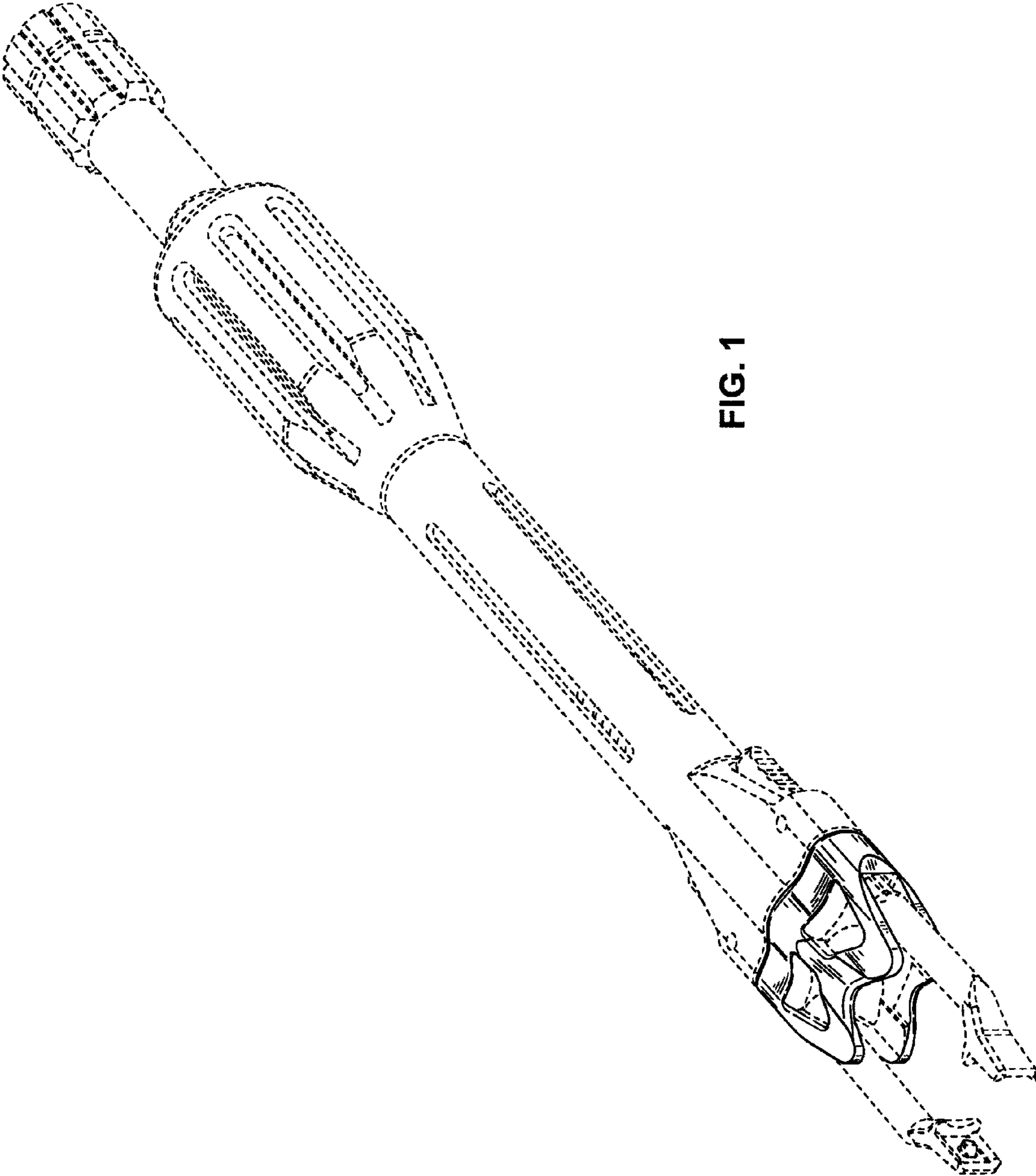


FIG. 1

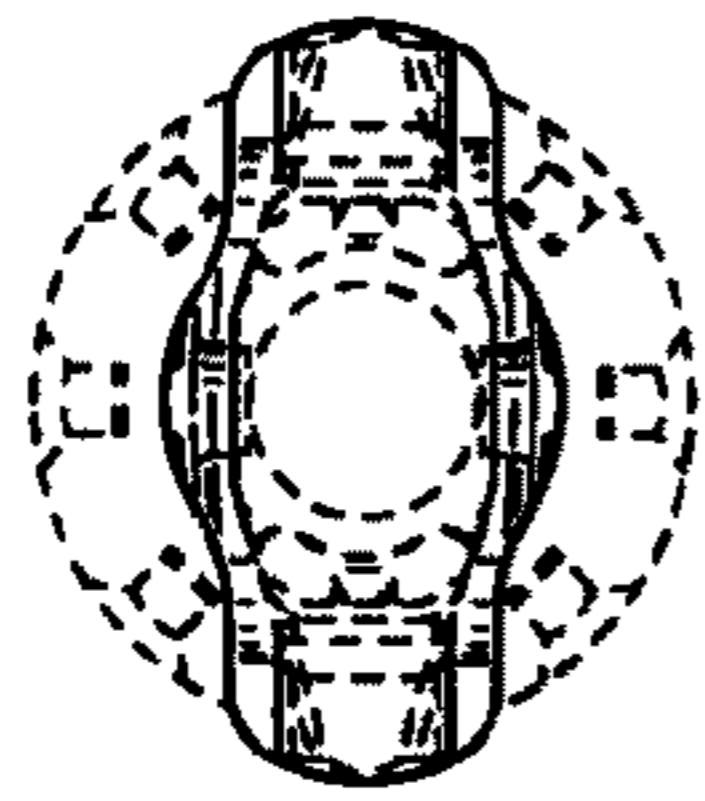


FIG. 2

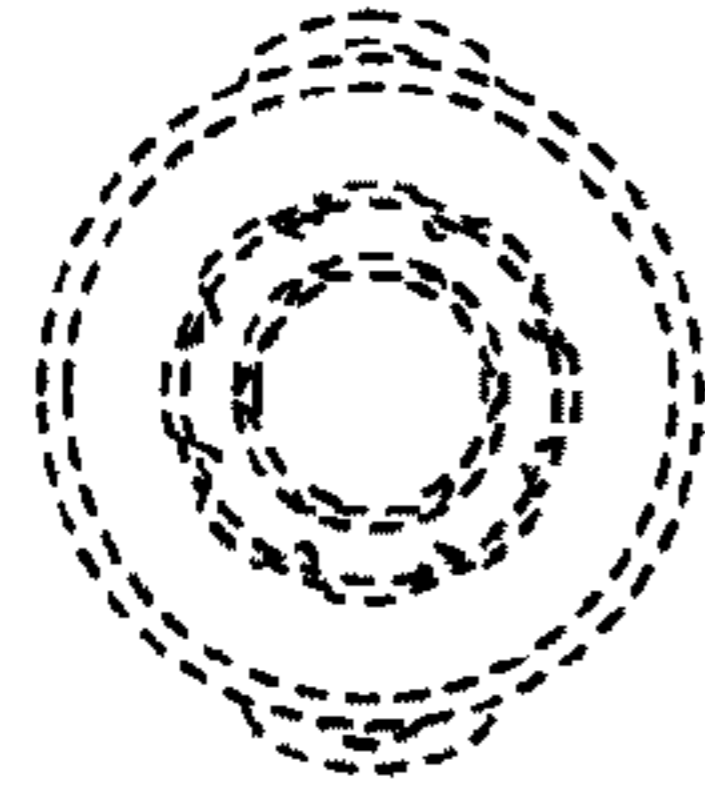


FIG. 3

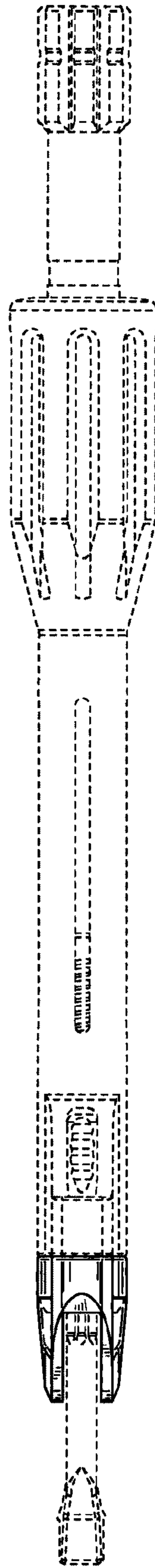


FIG. 4

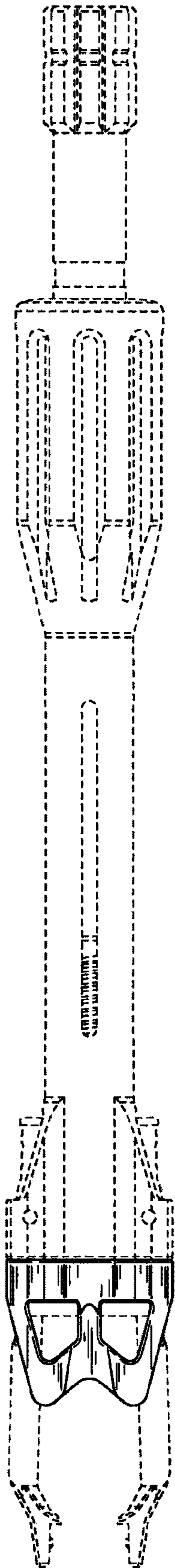


FIG. 5