



US00D649241S

(12) **United States Design Patent**
Kunishige et al.

(10) **Patent No.:** **US D649,241 S**

(45) **Date of Patent:** **** Nov. 22, 2011**

(54) **MEDICAL TUBE CONNECTOR**

(75) Inventors: **Takahiko Kunishige**, Hiroshima (JP);
Naotsugu Ito, Hiroshima (JP);
Yoshihiko Kobashi, Hiroshima (JP)

(73) Assignee: **JMS Co., Ltd.**, Hiroshima-Shi (JP)

(**) Term: **14 Years**

(21) Appl. No.: **29/357,306**

(22) Filed: **Mar. 10, 2010**

(30) **Foreign Application Priority Data**

Sep. 30, 2009 (JP) 2009-022769

(51) **LOC (9) Cl.** **24-02**

(52) **U.S. Cl.** **D24/129**

(58) **Field of Classification Search** D24/108-110.5,
D24/127-130; 604/905, 533, 544, 408, 538,
604/43; 285/304-321

See application file for complete search history.

(56) **References Cited**

U.S. PATENT DOCUMENTS

- D237,552 S * 11/1975 Willmott D24/129
- 4,052,990 A * 10/1977 Dodgson 128/207.14
- 4,123,091 A * 10/1978 Cosentino et al. 285/39
- 4,270,778 A * 6/1981 Brownell 285/305
- 4,280,498 A * 7/1981 Jensen 604/335
- D283,442 S * 4/1986 Richmond D24/129
- D313,277 S * 12/1990 Haining D24/129
- D324,568 S * 3/1992 Marken D24/129

- 5,181,508 A * 1/1993 Poole, Jr. 128/203.12
- D369,409 S * 4/1996 Salter D24/129
- D483,869 S * 12/2003 Tran et al. D24/129
- 2005/0253389 A1 * 11/2005 Schulte 285/417

FOREIGN PATENT DOCUMENTS

JP D1331736 6/2008

* cited by examiner

Primary Examiner — T. Chase Nelson

Assistant Examiner — Eric Goodman

(74) *Attorney, Agent, or Firm* — Holtz, Holtz, Goodman & Chick, P.C.

(57) **CLAIM**

The ornamental design for a medical tube connector, as shown and described.

DESCRIPTION

FIG. 1 is a right-side elevational perspective view showing the present invention;

FIG. 2 is a front plan view, the rear view being a mirror image thereof;

FIG. 3 is a right-side plan view, the left-side view being identical;

FIG. 4 is a top plan view thereof; and,

FIG. 5 is a bottom plan view thereof.

The broken lines representing portions of the instrument are included for environmental purposes only and form no part of the claimed design.

1 Claim, 3 Drawing Sheets

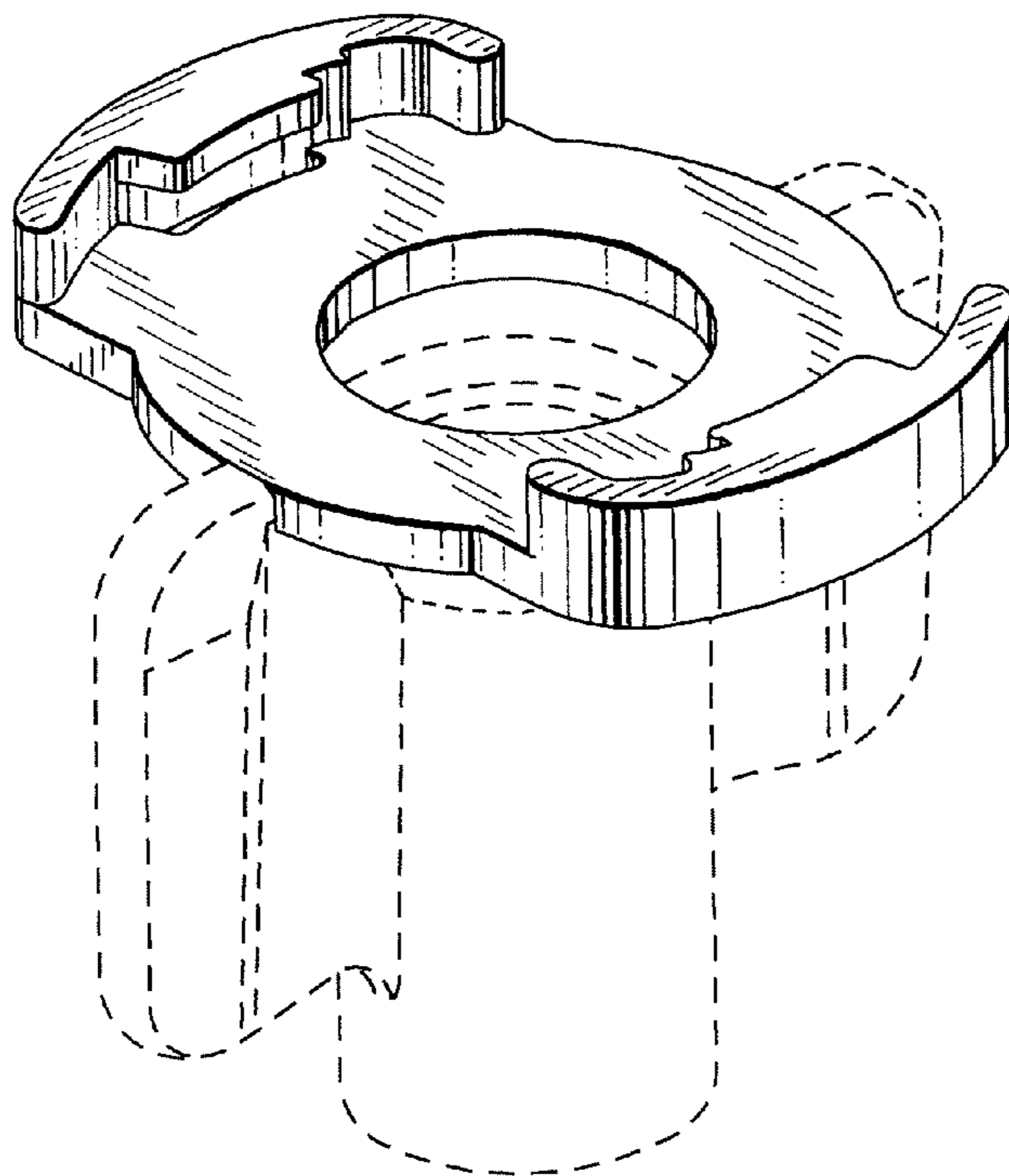


FIG. 1

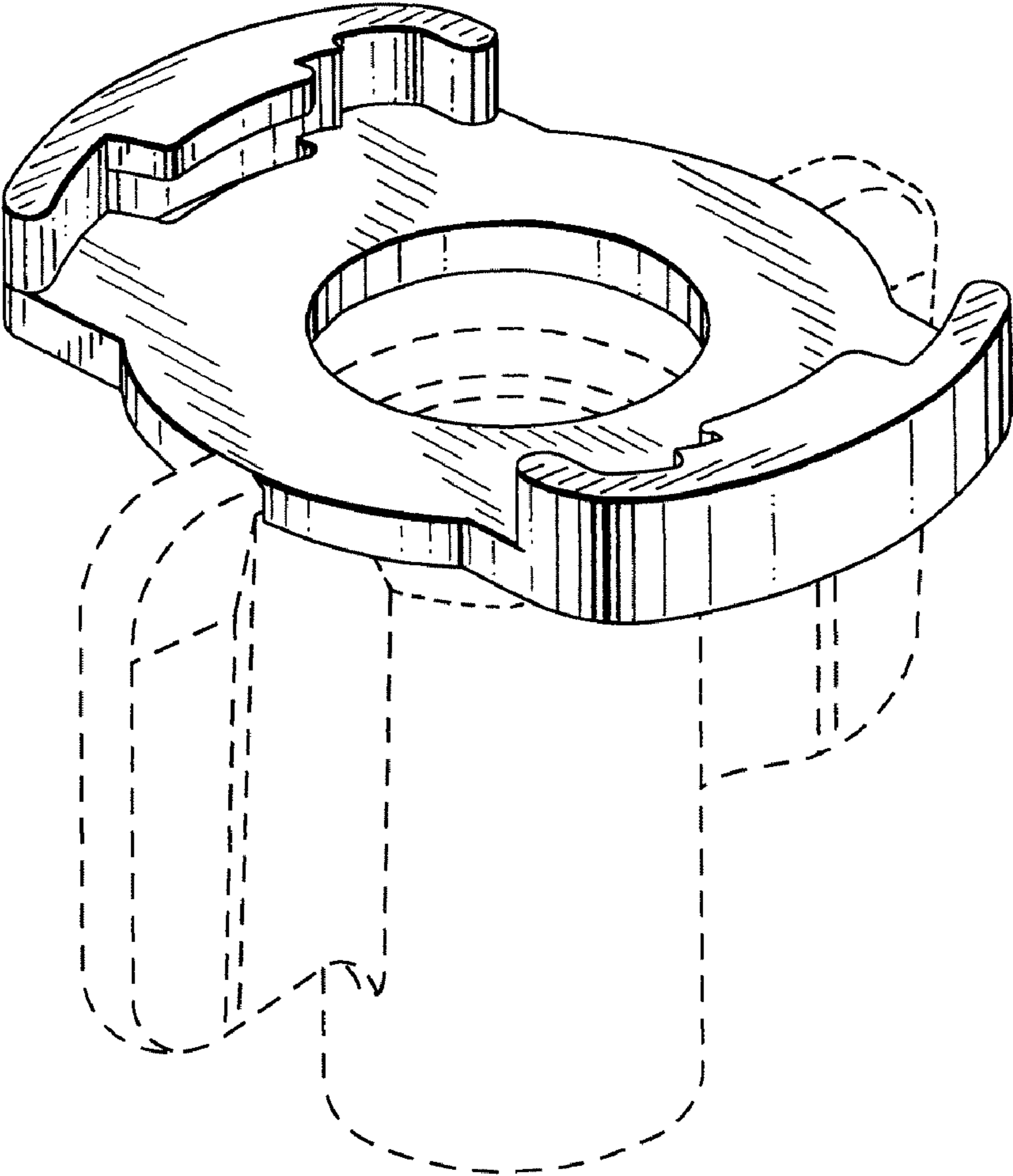


FIG. 2

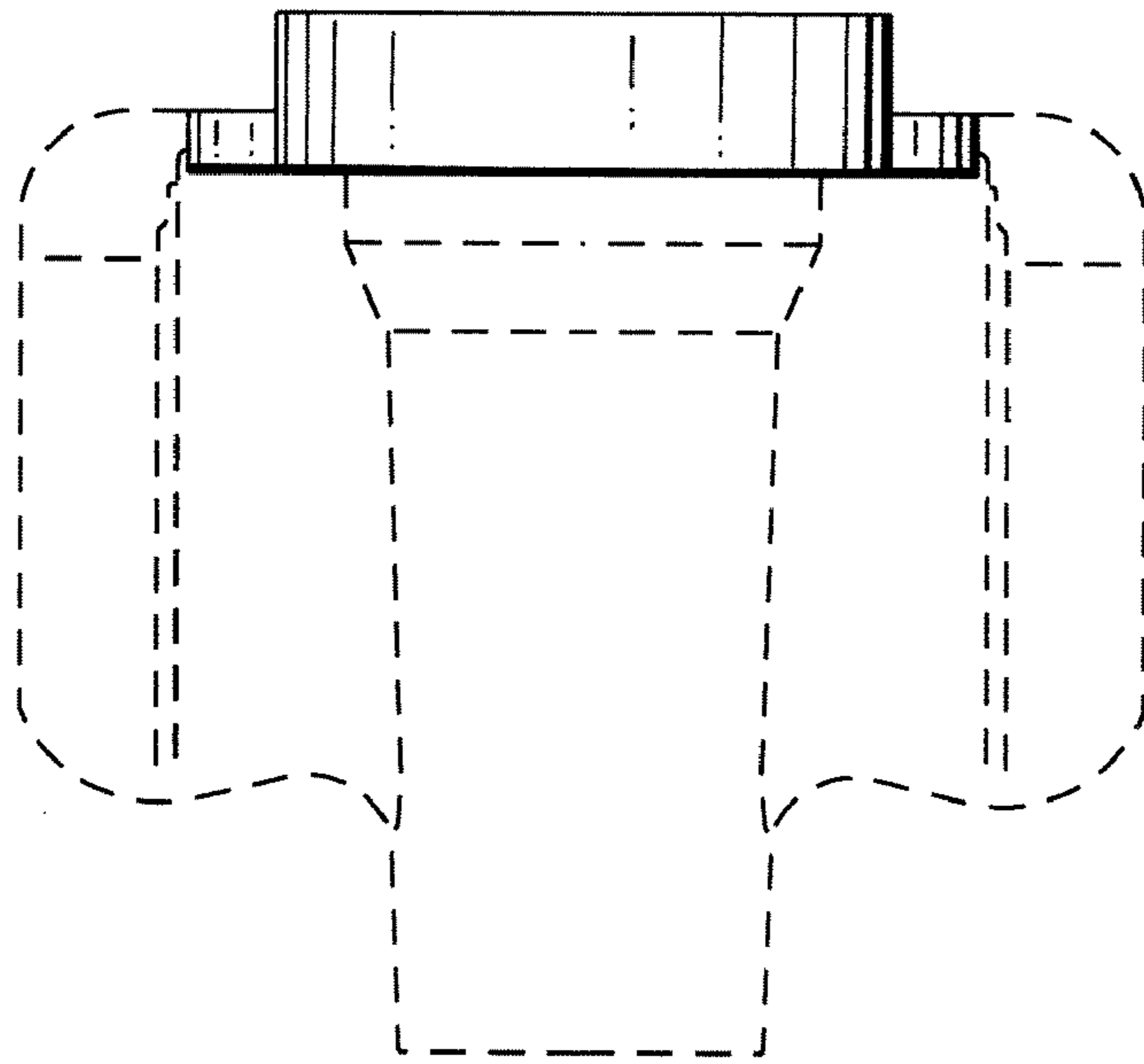
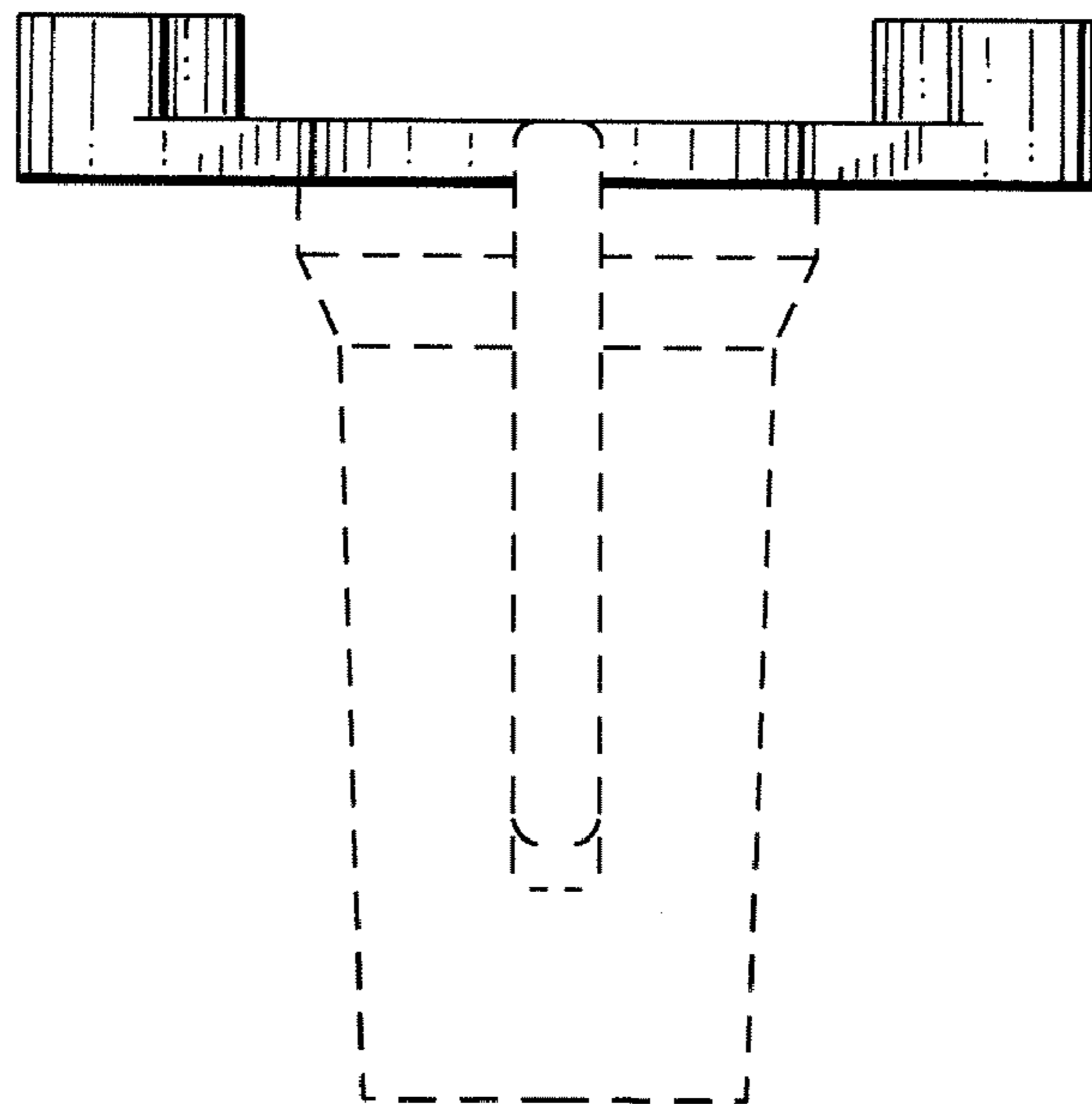


FIG. 3



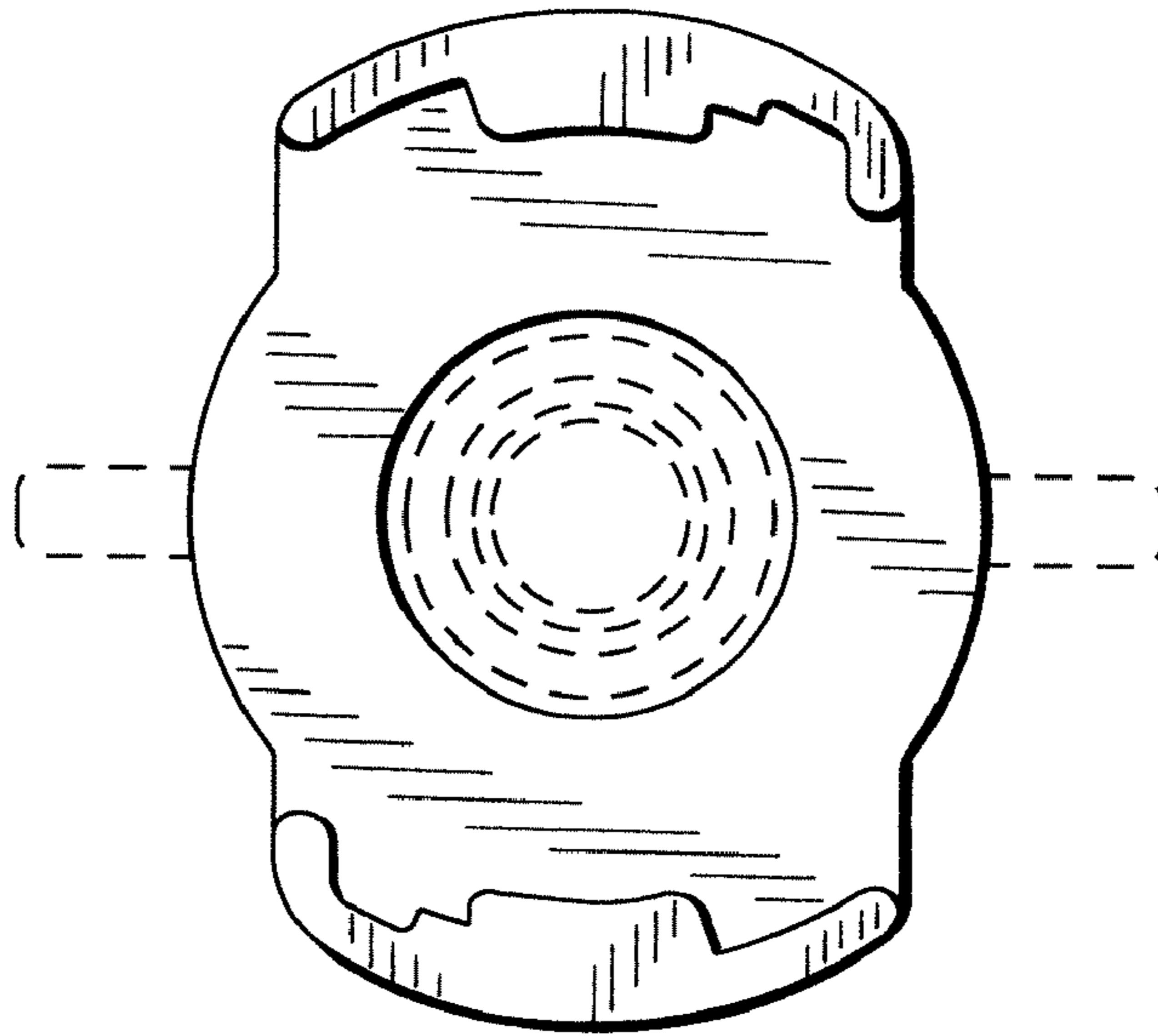


FIG. 4

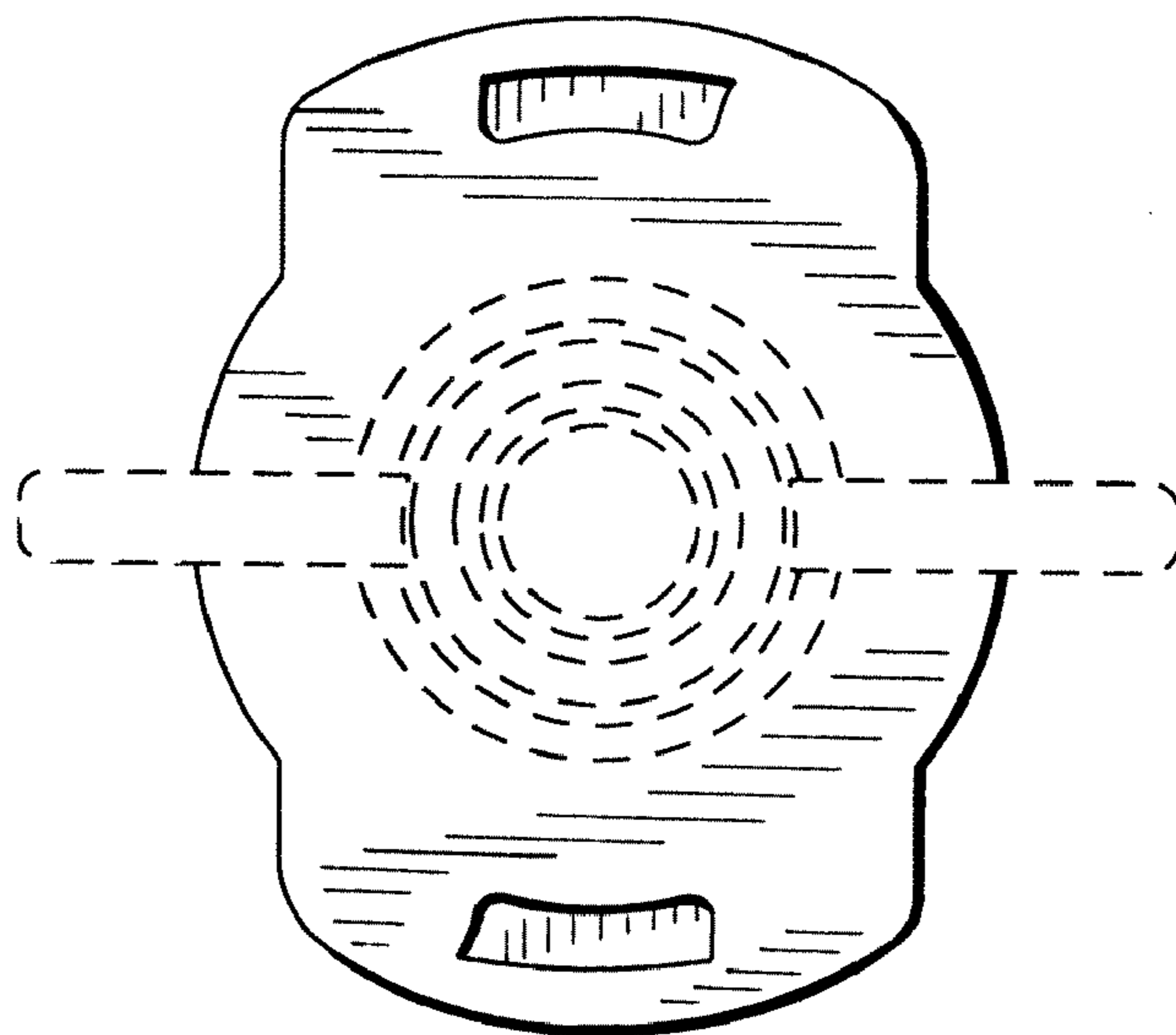


FIG. 5