



US00D649239S

(12) **United States Design Patent**
Taravella

(10) **Patent No.:** **US D649,239 S**

(45) **Date of Patent:** **** Nov. 22, 2011**

(54) **FEMALE URINARY FUNNEL**

(76) Inventor: **Maria Taravella**, Riverview, FL (US)

(**) Term: **14 Years**

(21) Appl. No.: **29/377,554**

(22) Filed: **Oct. 22, 2010**

(51) **LOC (9) Cl.** **24-04**

(52) **U.S. Cl.** **D24/122**

(58) **Field of Classification Search** D24/121-123,
D24/224; D23/274, 302, 295, 309, 200;
4/144.1-144.4, 459, 460; 604/329, 317,
604/318, 334; 600/573, 574; D7/700

See application file for complete search history.

(56) **References Cited**

U.S. PATENT DOCUMENTS

3,964,111	A *	6/1976	Packer	4/144.4
4,815,151	A *	3/1989	Ball	4/144.3
4,986,823	A *	1/1991	Anderson et al.	604/329
D379,225	S *	5/1997	Canahuate et al.	D24/122
D383,949	S *	9/1997	Lown	D7/700
D394,989	S *	6/1998	Block	D7/700
5,893,176	A *	4/1999	Magiera et al.	4/144.4

D449,105	S *	10/2001	Azo	D24/122
D499,482	S *	12/2004	Gugliotta	D24/122
D577,434	S *	9/2008	Stebler	D24/122
D579,556	S *	10/2008	Stebler	D24/122
D602,156	S *	10/2009	Young	D24/122
7,694,819	B2 *	4/2010	Montakhabi	4/144.2

* cited by examiner

Primary Examiner — David Muller

(74) *Attorney, Agent, or Firm* — Maier & Maier, PLLC

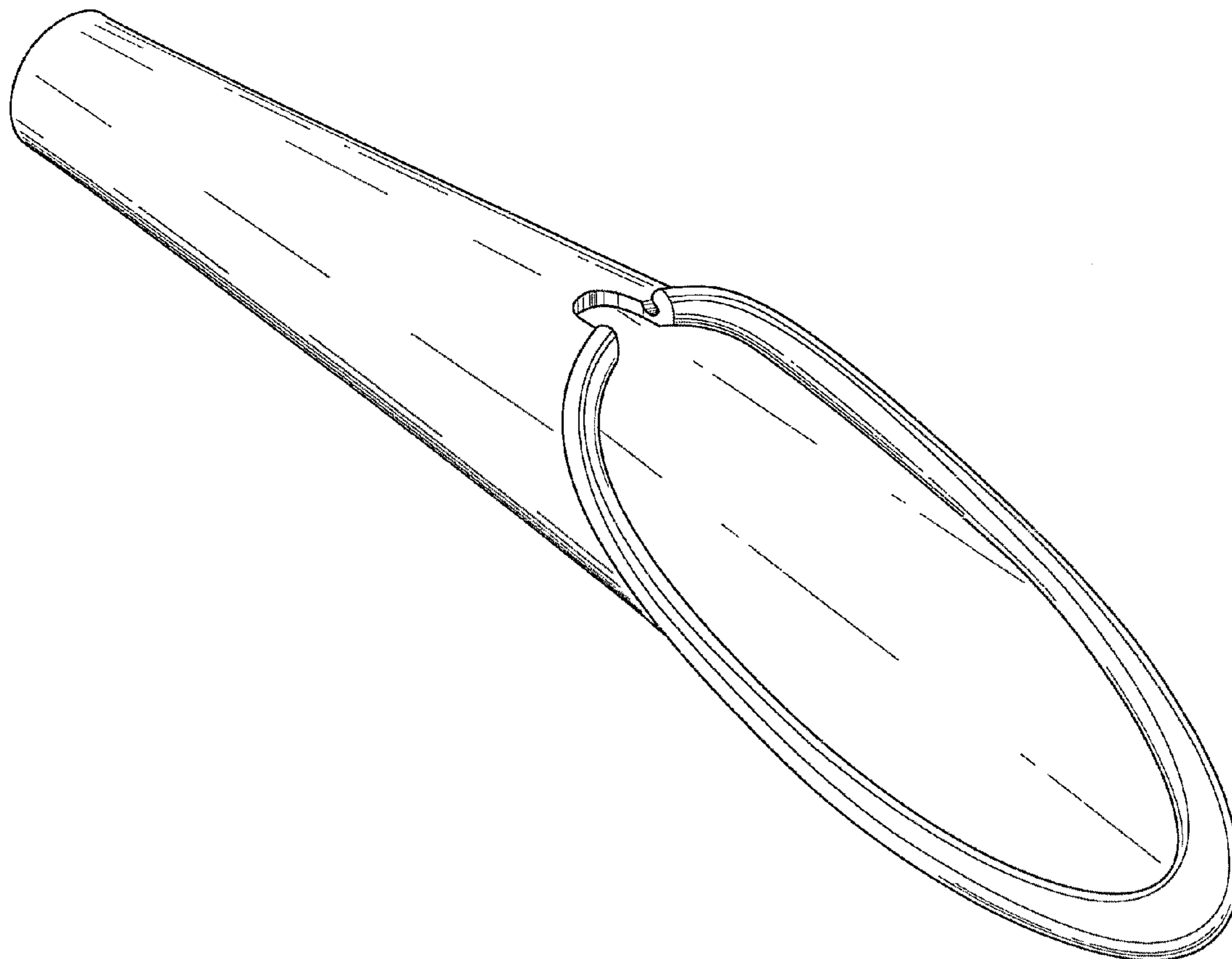
(57) **CLAIM**

The ornamental design for a female urinary funnel, as shown and described.

DESCRIPTION

FIG. 1 is a front and top perspective view of a female urinary funnel, showing my design;
 FIG. 2 is a front and bottom perspective view thereof;
 FIG. 3 is a front view thereof;
 FIG. 4 is a rear view thereof;
 FIG. 5 is a right side view thereof, the left side view being a mirror image of the right side view;
 FIG. 6 is a top view thereof; and,
 FIG. 7 is a bottom view thereof.

1 Claim, 4 Drawing Sheets



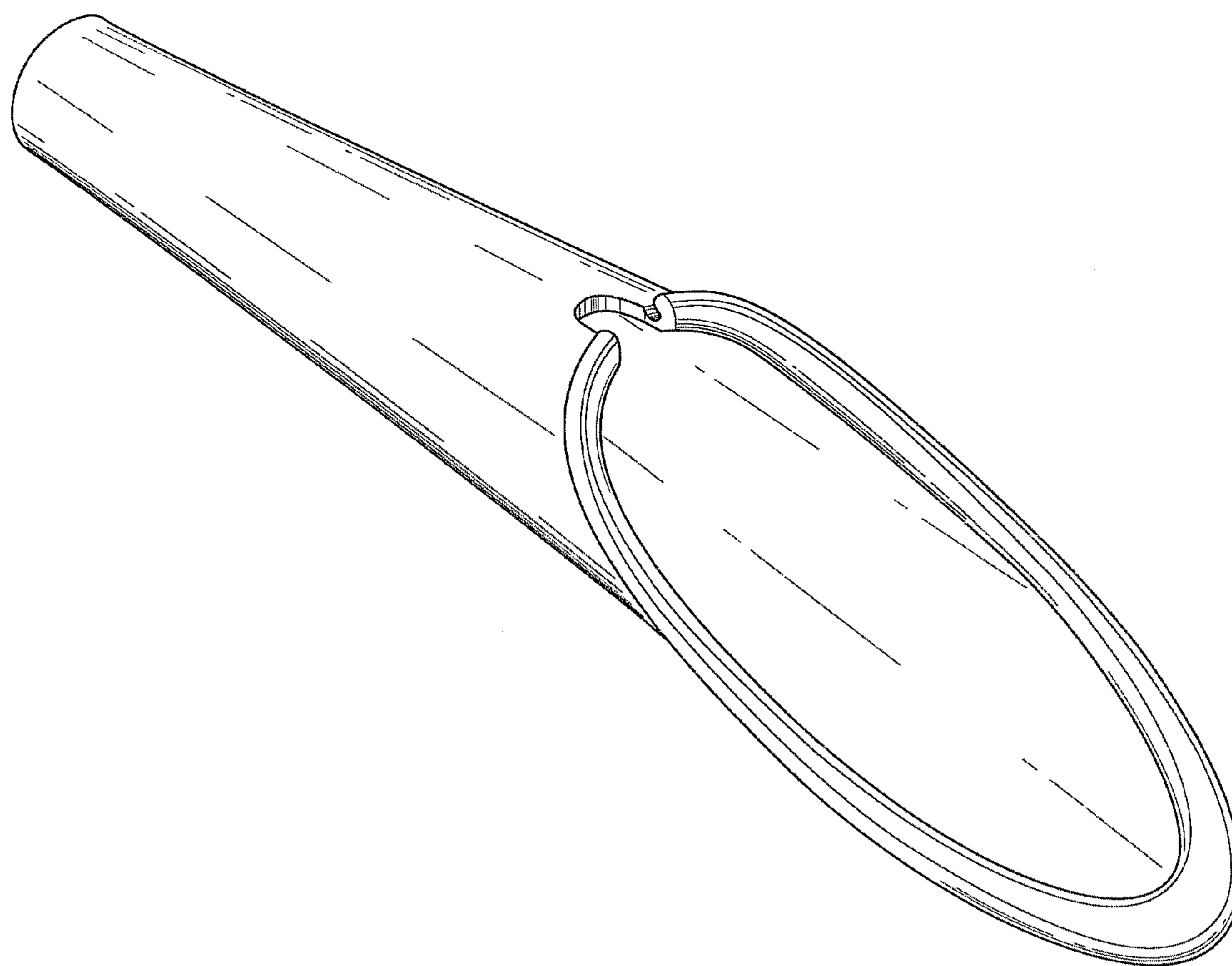


Fig. 1

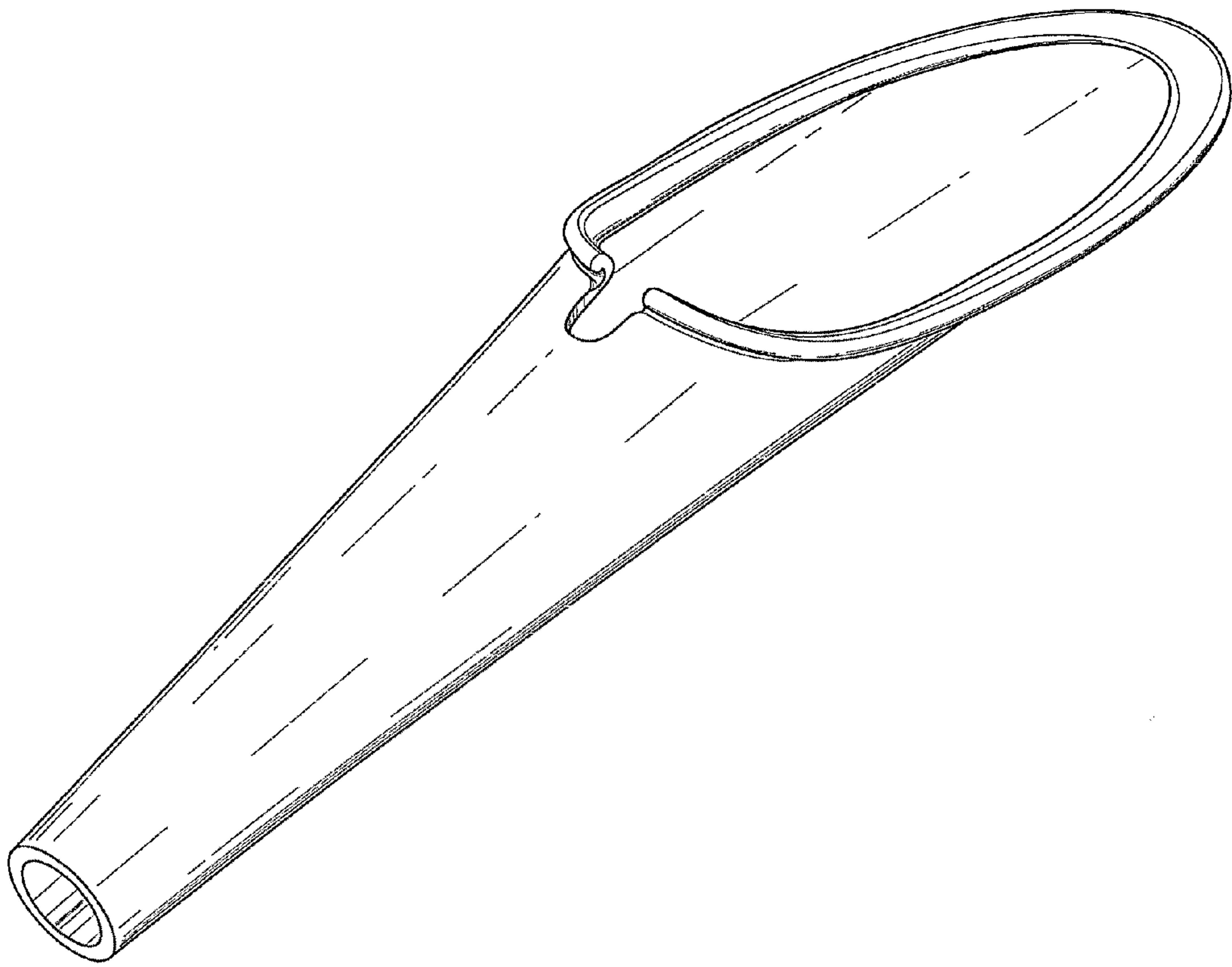


Fig. 2

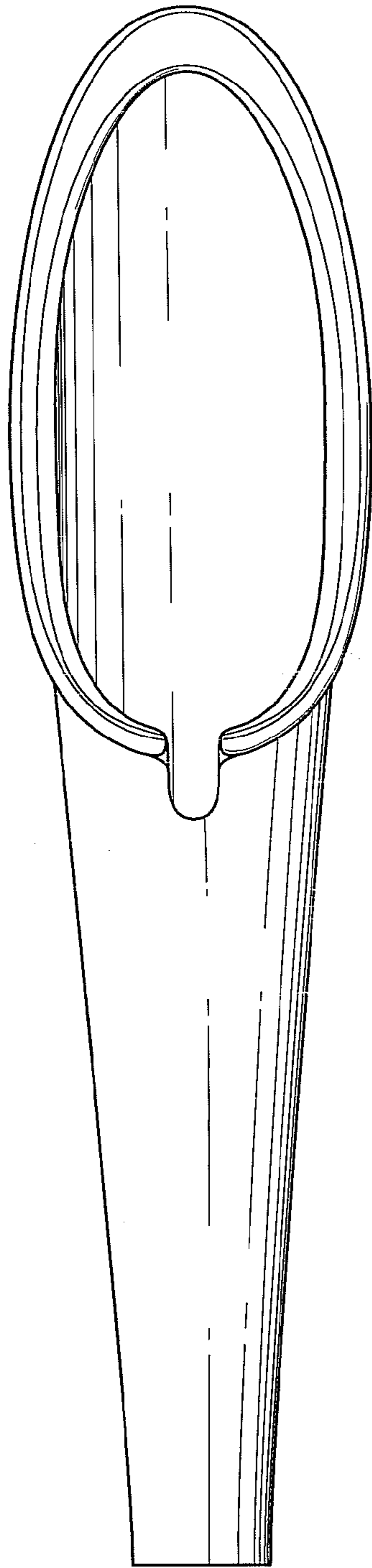


Fig. 3

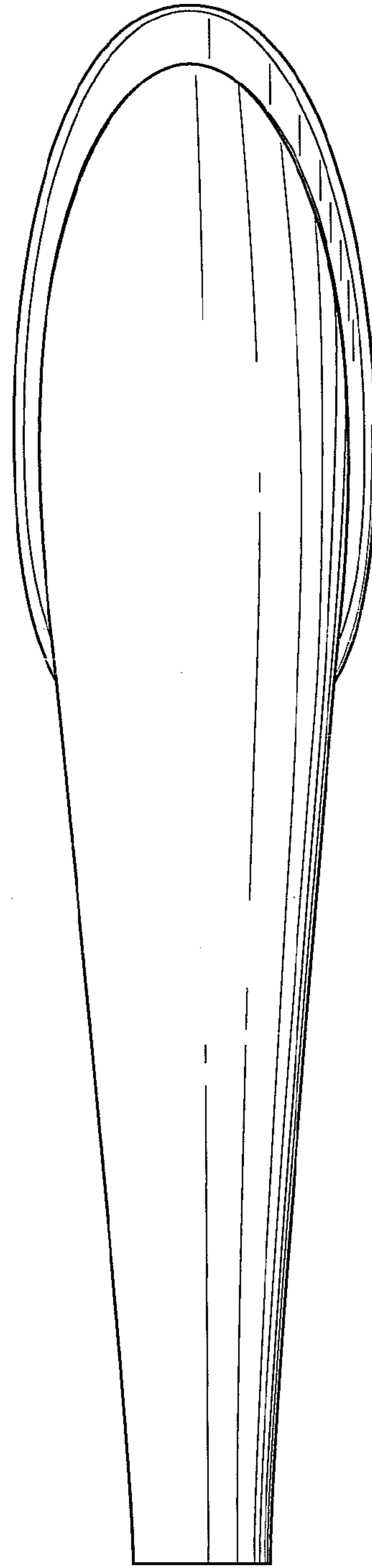


Fig. 4

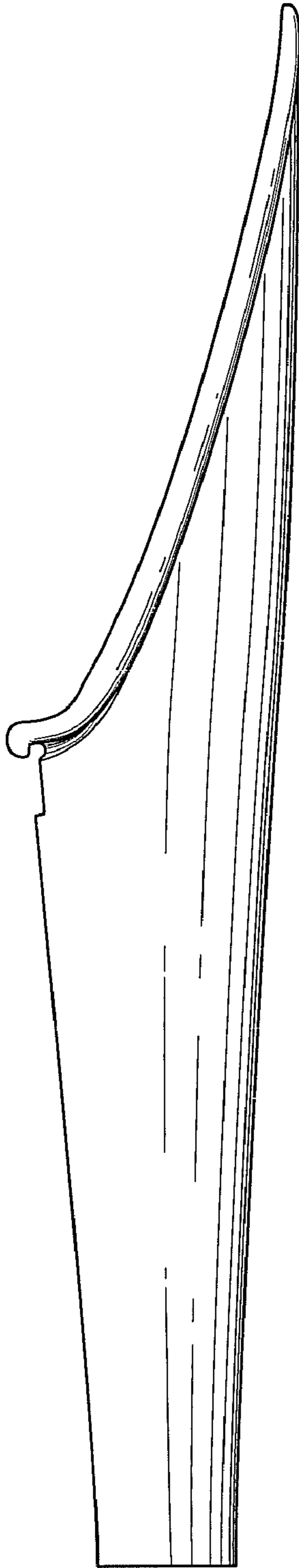


Fig. 5

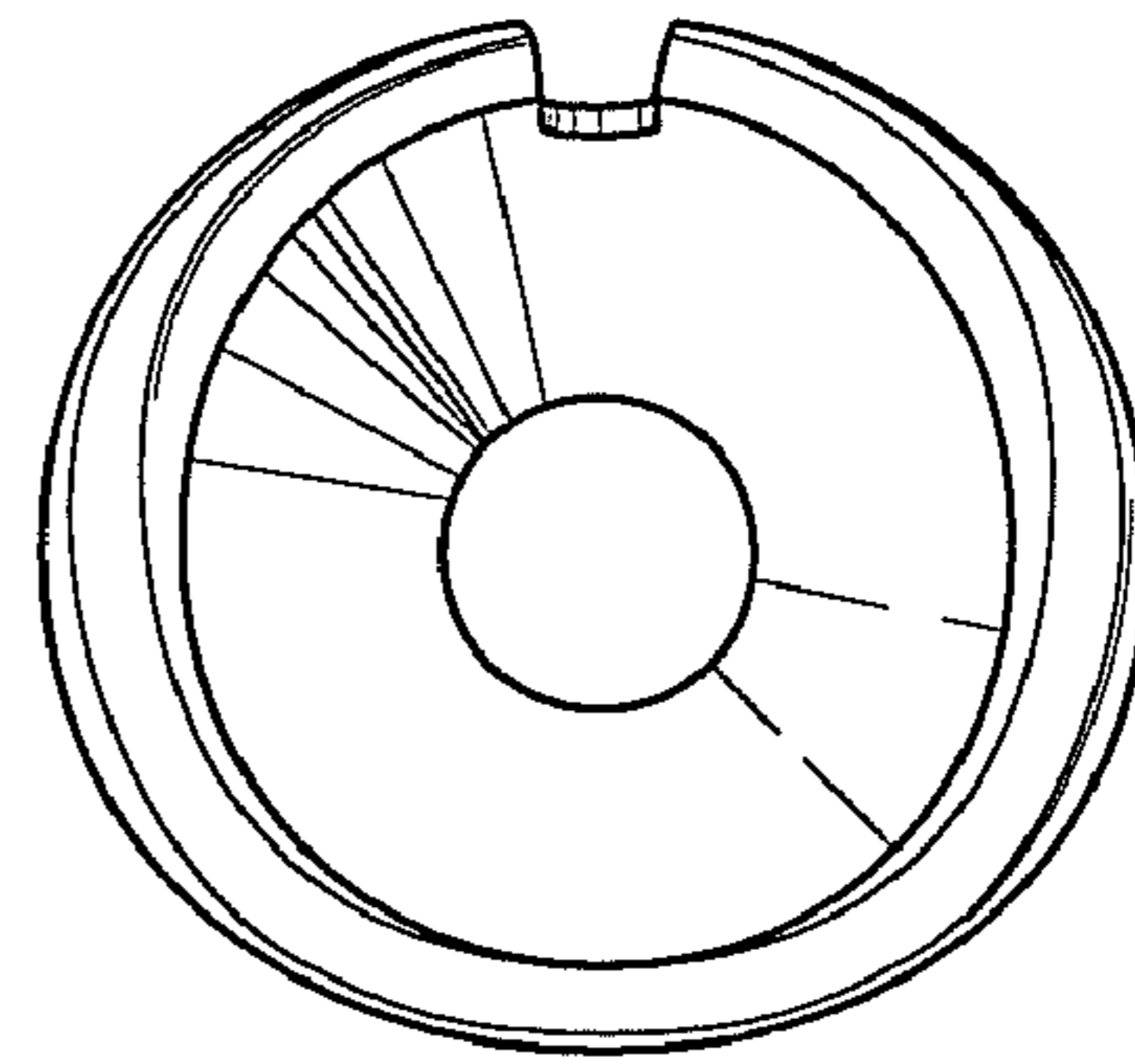


Fig. 6

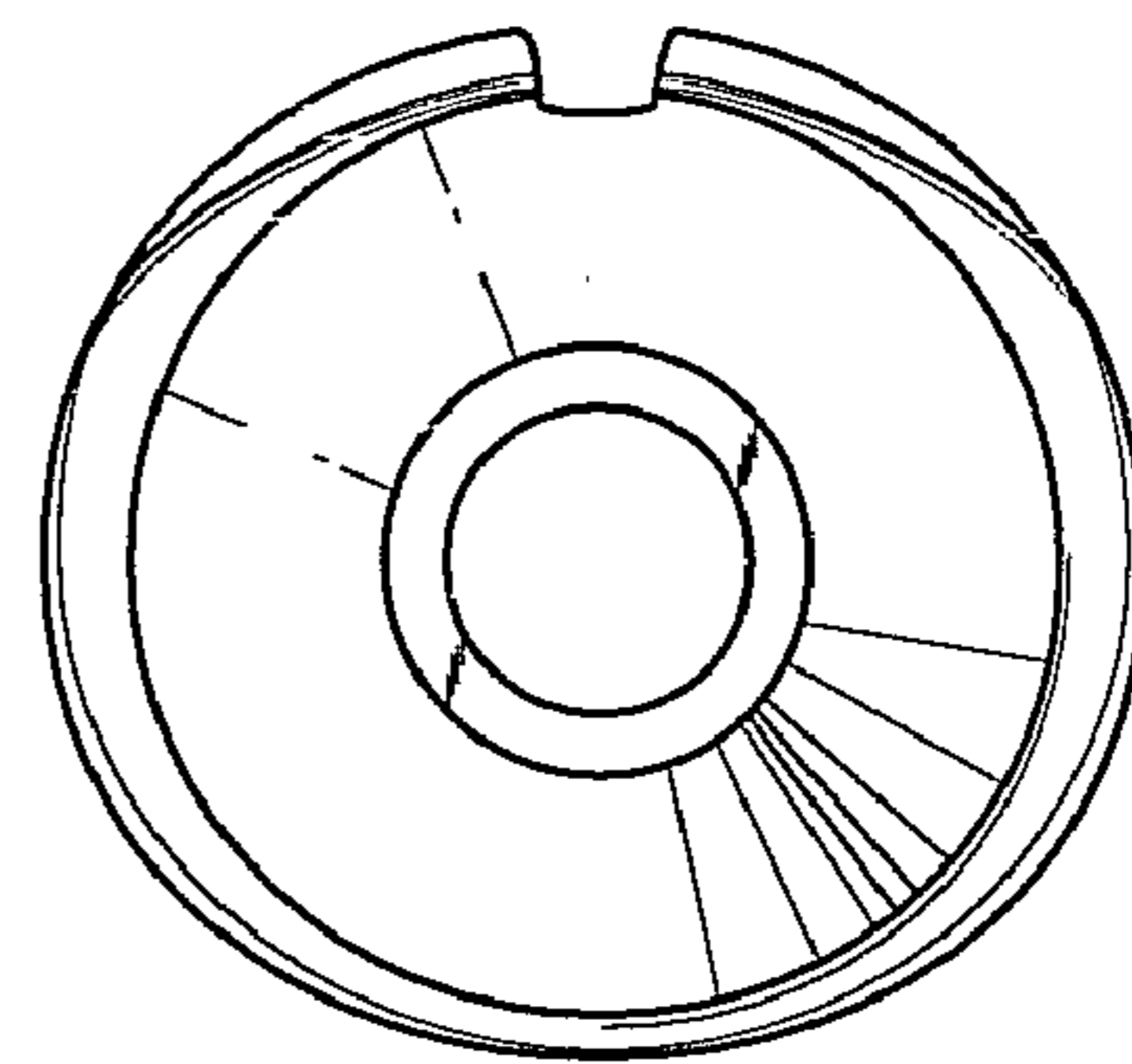


Fig. 7