



US00D649238S

(12) **United States Design Patent**
Passauer, III

(10) **Patent No.:** **US D649,238 S**

(45) **Date of Patent:** **** Nov. 22, 2011**

(54) **COMBINED CEILING FAN HOUSING AND FAN BLADE ARMS**

(75) Inventor: **Willard F. Passauer, III**, Fort Lauderdale, FL (US)

(73) Assignee: **Chien Luen Industries Co., Ltd., Inc.**, Oakland Park, FL (US)

(**) Term: **14 Years**

(21) Appl. No.: **29/342,571**

(22) Filed: **Aug. 27, 2009**

(51) **LOC (9) Cl.** **23-04**

(52) **U.S. Cl.** **D23/411**

(58) **Field of Classification Search** D23/377, D23/379, 385, 411, 413; 416/5

See application file for complete search history.

D555,779 S	11/2007	Bucher	
D556,881 S	12/2007	Bucher et al.	
D560,299 S	1/2008	Bucher et al.	
D563,541 S	3/2008	Bucher et al.	
D565,173 S	3/2008	Bucher et al.	
D566,258 S	4/2008	Bucher et al.	
D566,259 S	4/2008	Bucher et al.	
D572,814 S	7/2008	Bucher et al.	
D574,985 S	8/2008	Bucher et al.	
D575,863 S	8/2008	Bucher et al.	
D577,809 S *	9/2008	Frisch D23/411

* cited by examiner

Primary Examiner — Lisa Lichtenstein

(74) *Attorney, Agent, or Firm* — Brian S. Steinberger; Law Offices of Brian S. Steinberger, P.A.

(57) **CLAIM**

The ornamental design for a combined ceiling fan housing and fan blade arms, as shown and described.

DESCRIPTION

FIG. 1 is lower front side perspective view of a combined ceiling fan housing and fan blade arms.

FIG. 2 is an upper front side perspective view of the combined ceiling fan housing and fan blade arms of FIG. 1.

FIG. 3 is a reduced bottom view of the combined ceiling fan housing and fan blade arms of FIG. 1.

FIG. 4 is a reduced top view of the combined ceiling fan housing and fan blade arms of FIG. 1.

FIG. 5 is a front side view of the combined ceiling fan housing and fan blade arms of FIG. 1.

FIG. 6 is a rear side view of the combined ceiling fan housing and fan blade arms of FIG. 1.

FIG. 7 is a right side view of the combined ceiling fan housing and fan blade arms of FIG. 1; and,

FIG. 8 is a left side view of the combined ceiling fan housing and fan blade arms of FIG. 1.

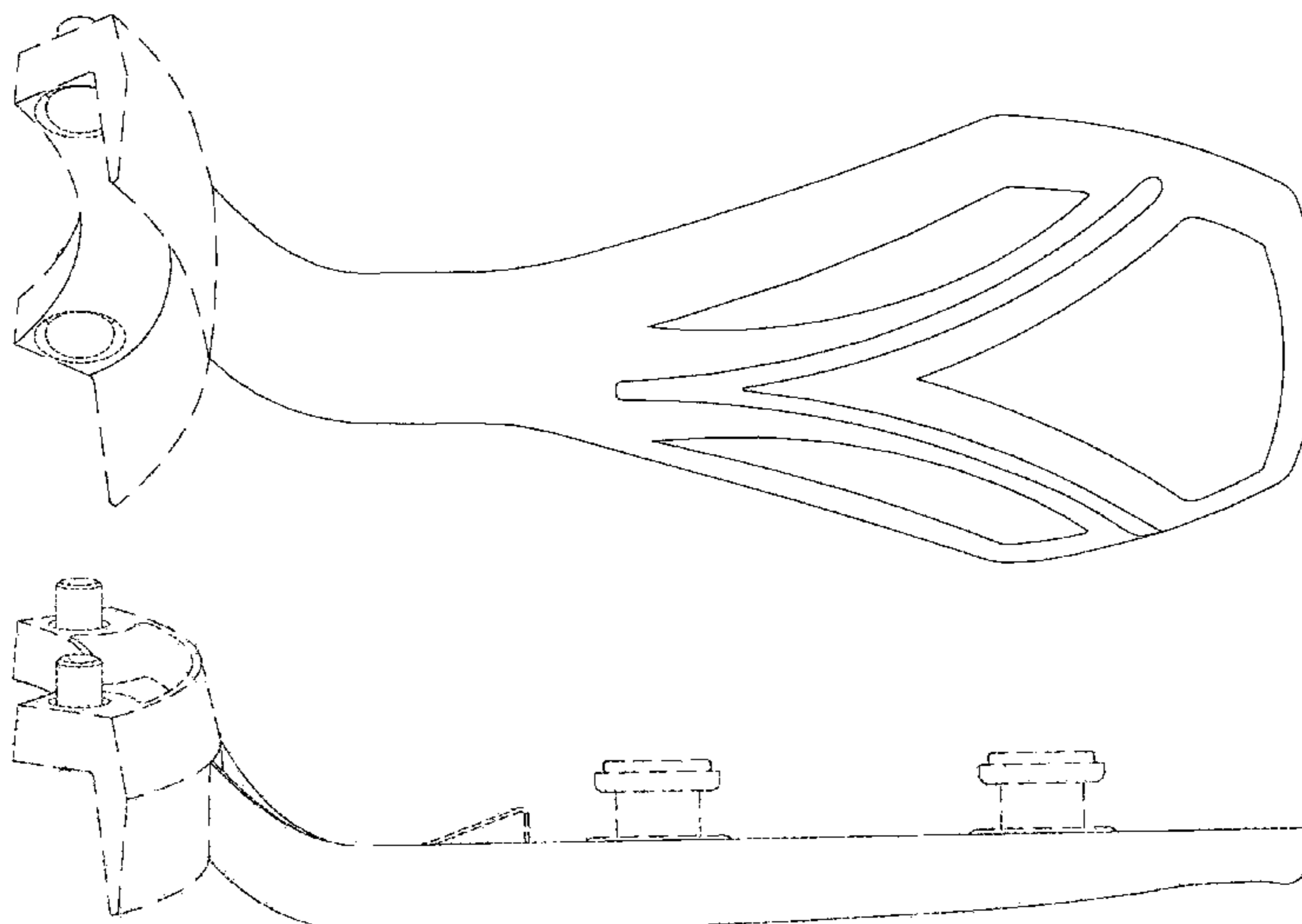
The broken line showing of the canopy, support rod, housing upper vents, and upper fastener holes, light shade and blades is included for the purpose of illustrating environmental structure and forms no part of the claimed design.

1 Claim, 8 Drawing Sheets

(56) **References Cited**

U.S. PATENT DOCUMENTS

D346,211 S	4/1994	Bucher et al.	
D347,056 S	5/1994	Bucher et al.	
D360,942 S	8/1995	Bucher et al.	
D376,641 S	12/1996	Bucher	
D430,283 S	8/2000	Wu	
D435,094 S	12/2000	Bucher	
6,394,756 B1	5/2002	Bucher et al.	
6,644,927 B2	11/2003	Bucher et al.	
D484,233 S	12/2003	Bucher et al.	
D484,587 S	12/2003	Bucher	
D485,345 S	1/2004	Bucher et al.	
D485,346 S	1/2004	Bucher et al.	
D485,347 S	1/2004	Bucher et al.	
D492,764 S *	7/2004	Campbell D23/411
D501,250 S *	1/2005	Thomas, Jr. D23/411
D510,992 S	10/2005	Bucher et al.	
D526,715 S *	8/2006	Glasbrenner D23/411
D539,894 S	4/2007	Bucher et al.	
D541,466 S	4/2007	Bucher et al.	
D548,321 S	8/2007	Orozco	
D550,830 S *	9/2007	Guthrie D23/386
D553,731 S	10/2007	Bucher et al.	
D554,252 S	10/2007	Bucher et al.	



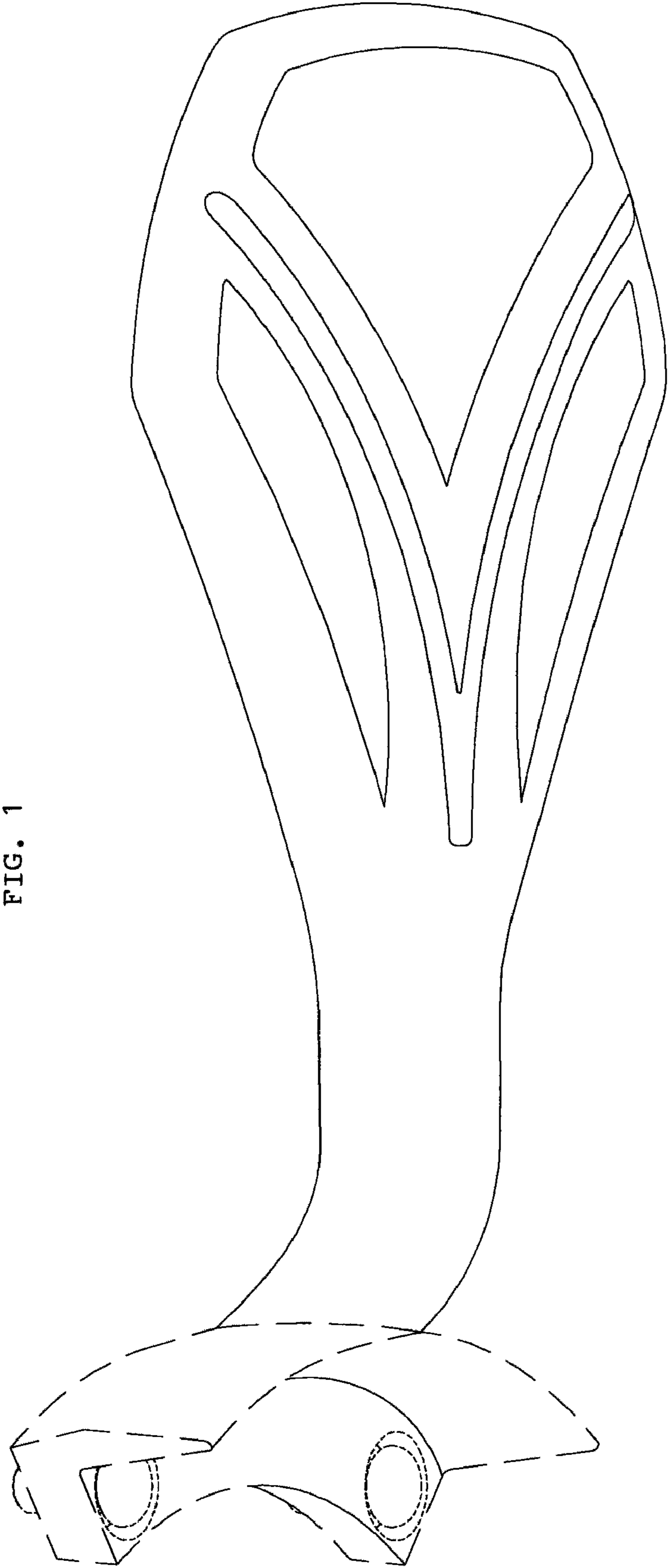


FIG. 1

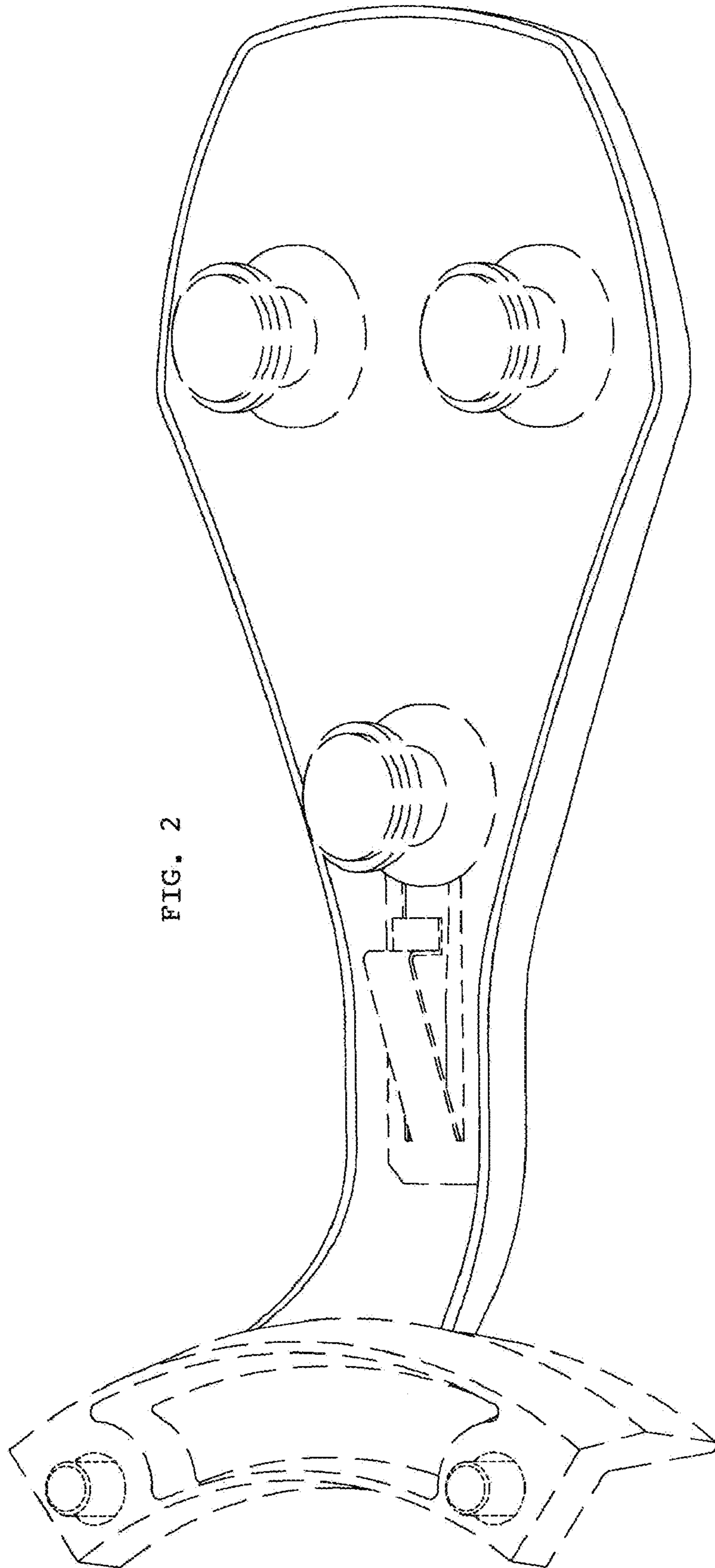


FIG. 2

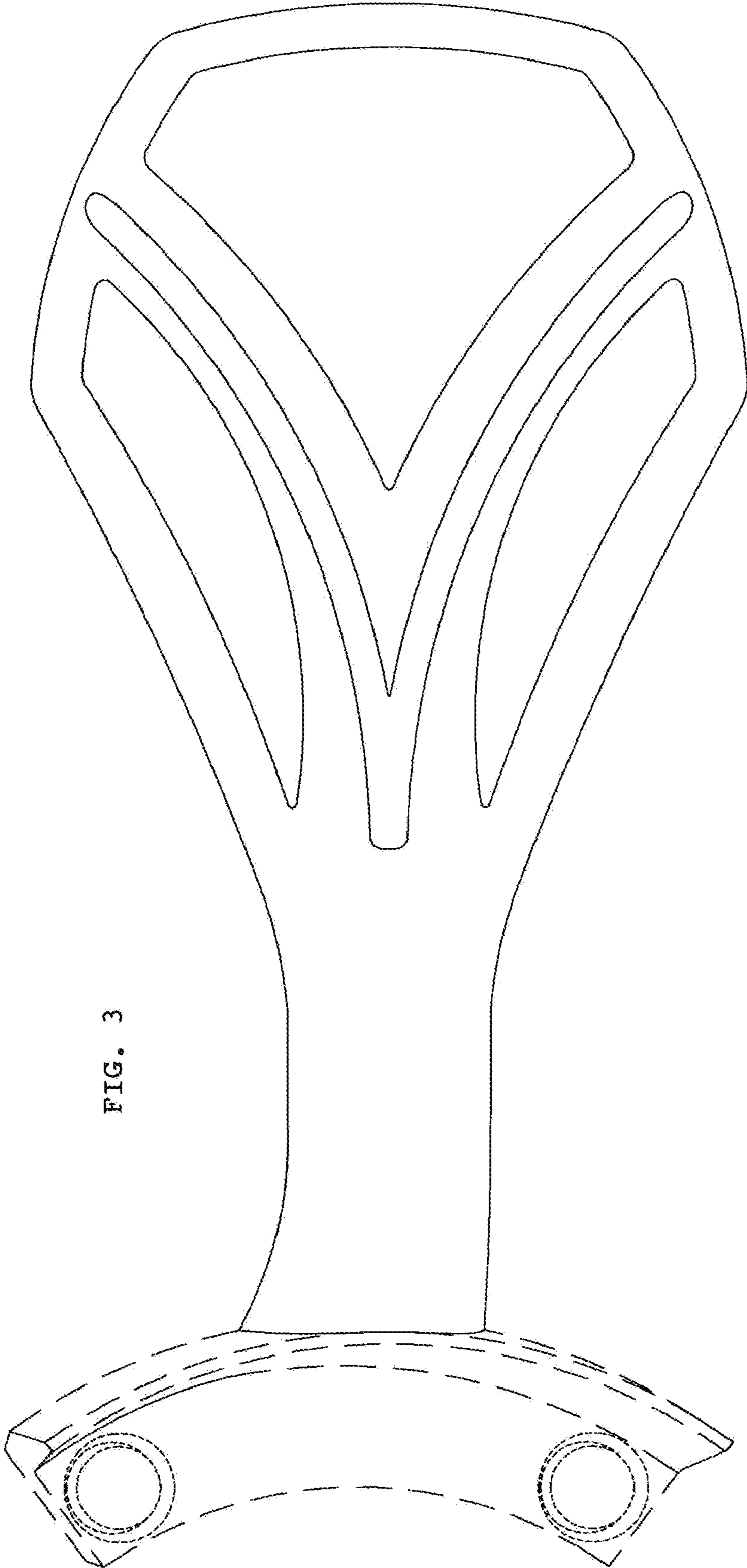


FIG. 3

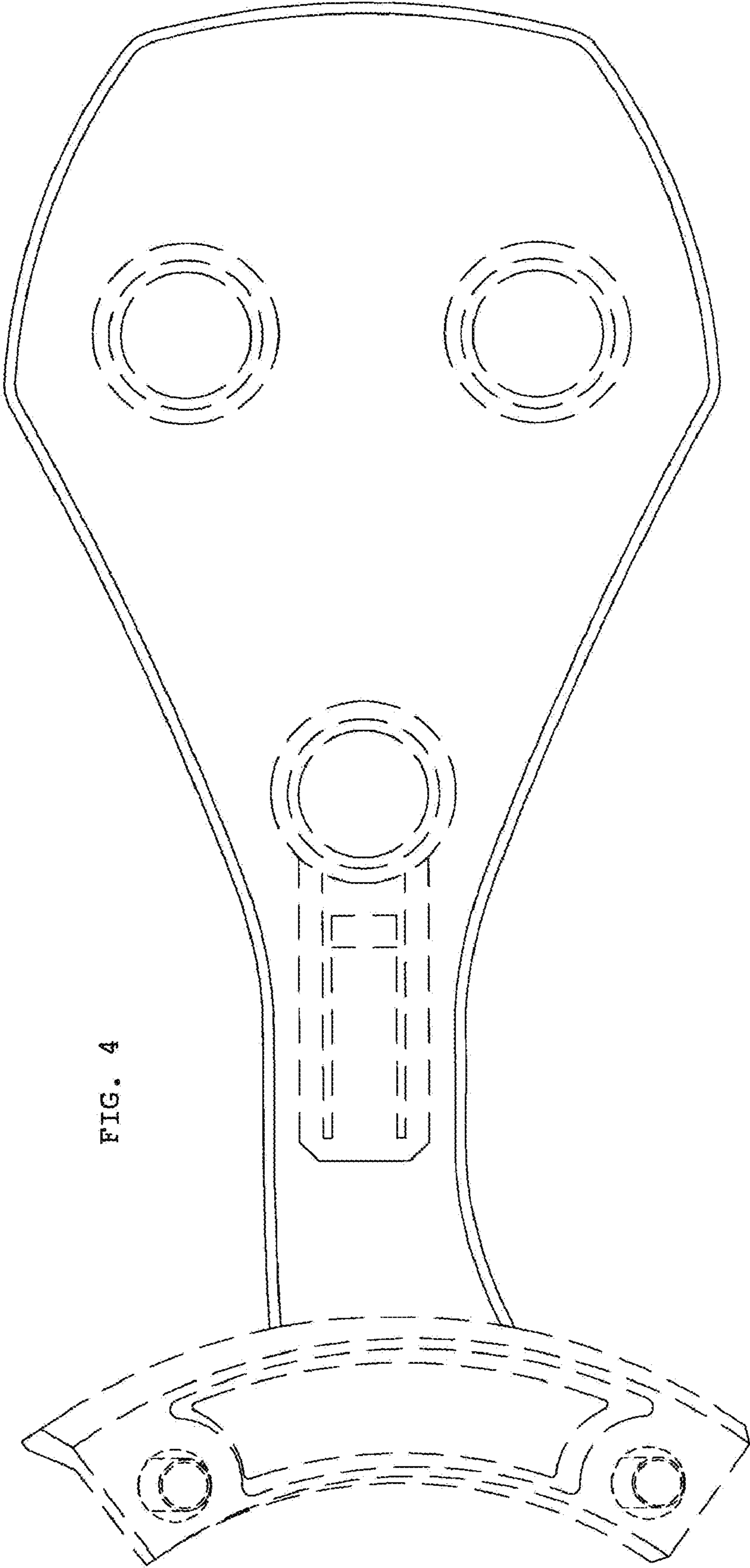


FIG. 4

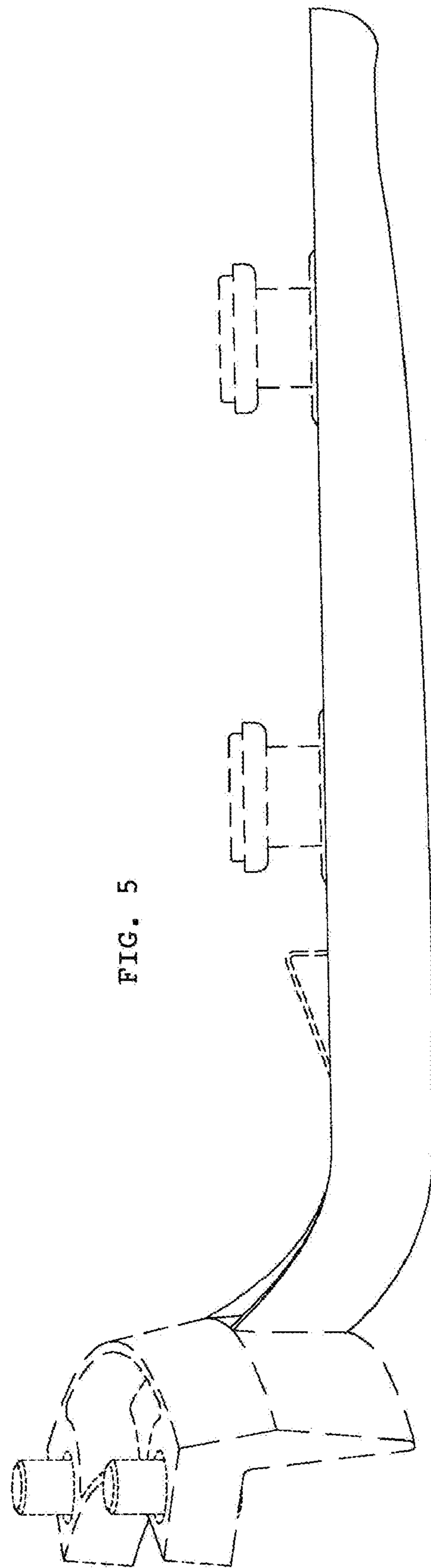


FIG. 5

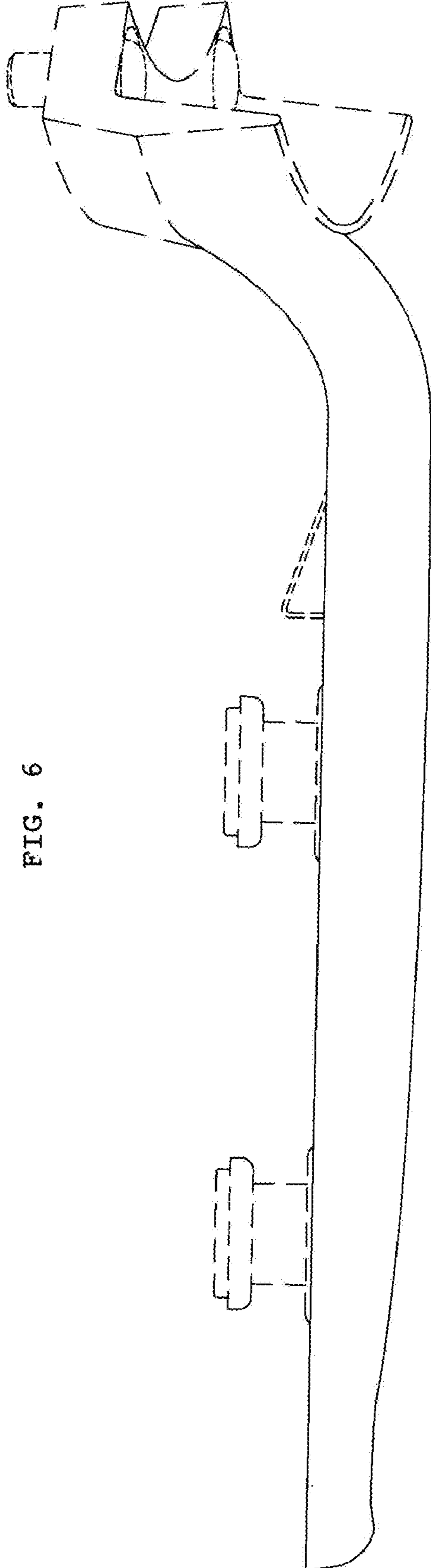


FIG. 6

FIG. 7

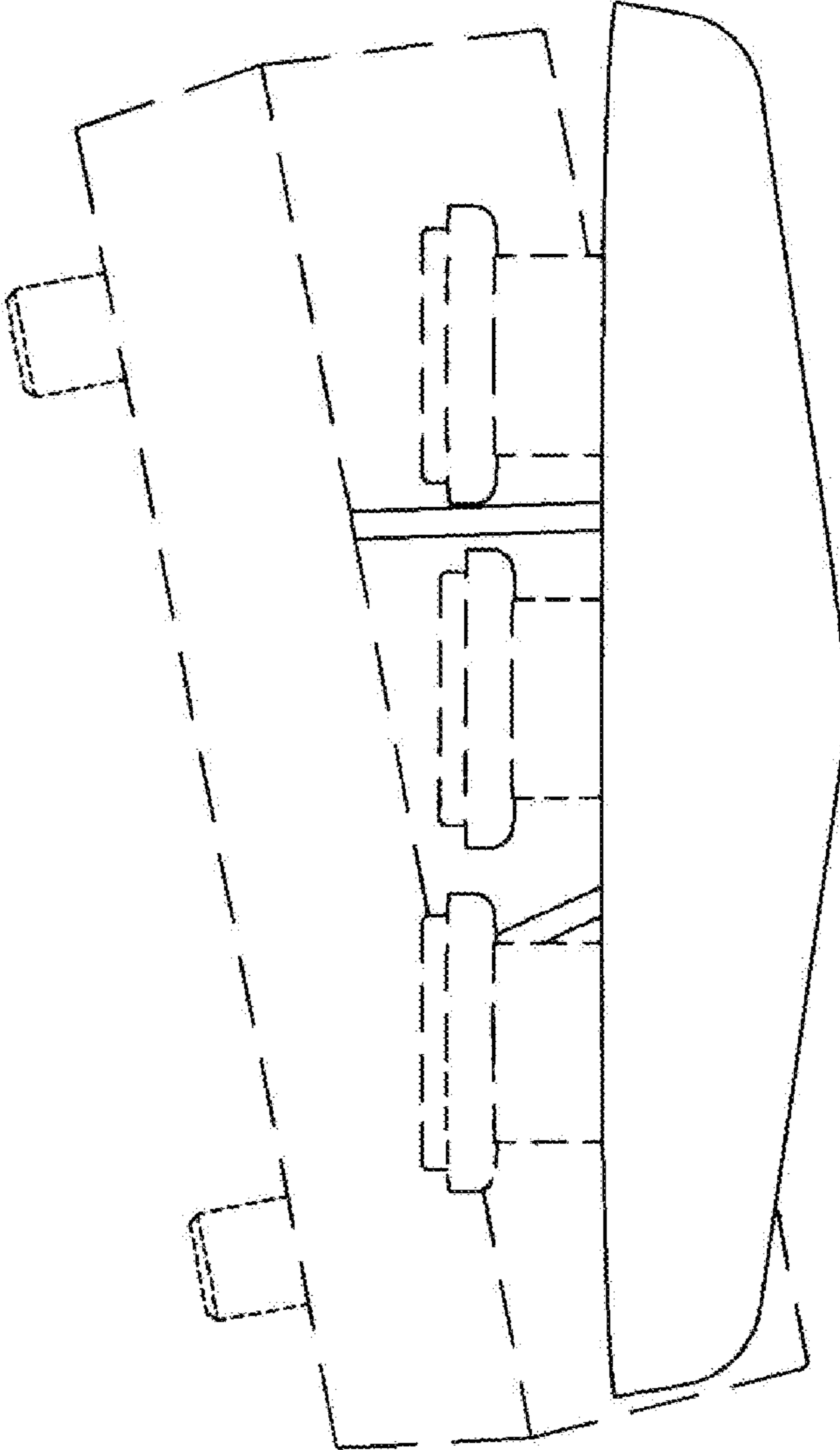
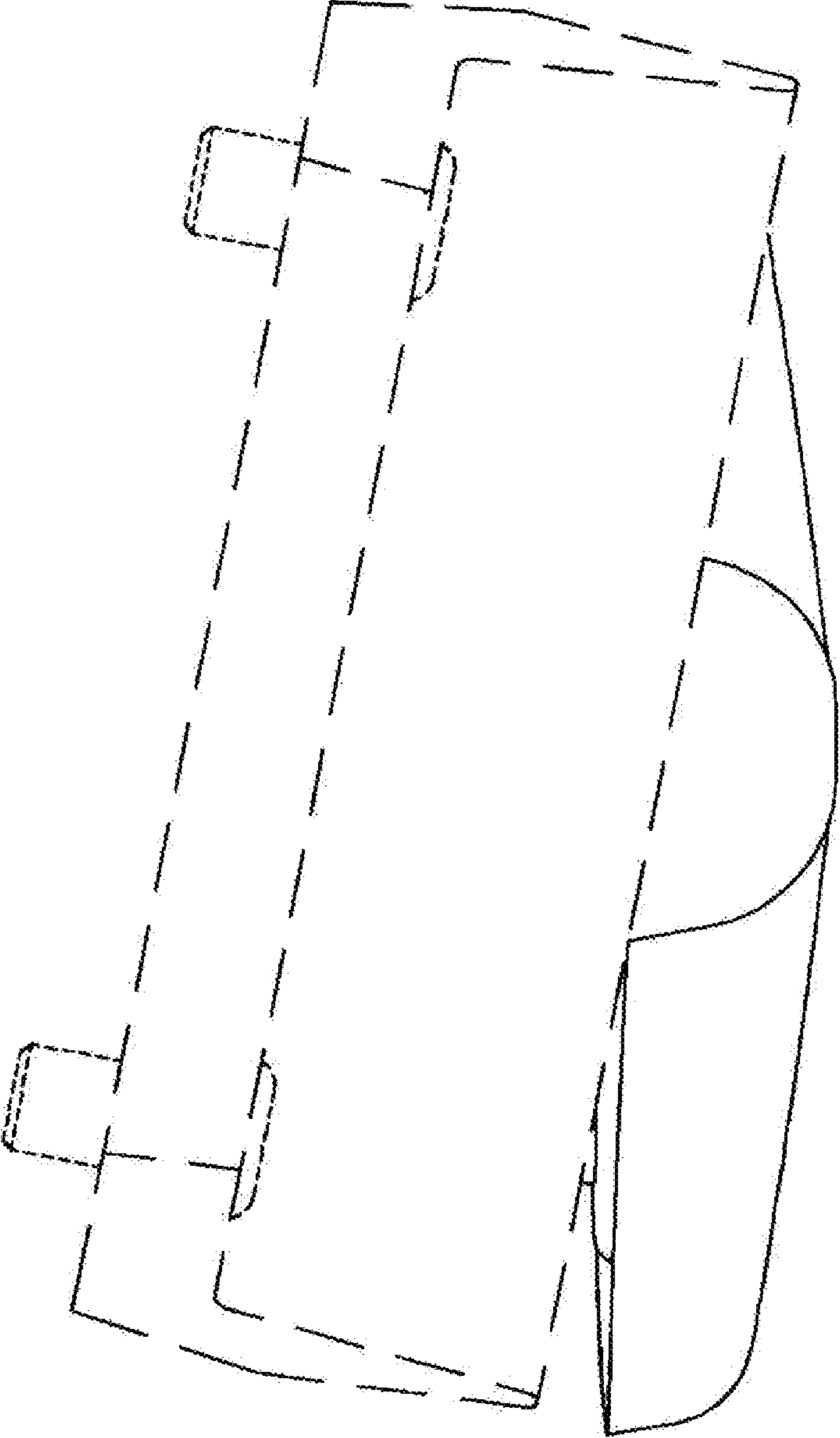


FIG. 8



UNITED STATES PATENT AND TRADEMARK OFFICE
CERTIFICATE OF CORRECTION

PATENT NO. : D649,238 S
APPLICATION NO. : 29/342571
DATED : November 22, 2011
INVENTOR(S) : Passauer, III

Page 1 of 10

It is certified that error appears in the above-identified patent and that said Letters Patent is hereby corrected as shown below:

Delete title page and insert the title page as attached.

Delete drawing sheets 1 through 8 and insert drawing sheets 1 through 8 consisting of figures 1 through 8 as attached.

Signed and Sealed this
Seventh Day of February, 2012

A handwritten signature in black ink that reads "David J. Kappos". The signature is written in a cursive, slightly slanted style.

David J. Kappos
Director of the United States Patent and Trademark Office

(12) **United States Design Patent** (10) **Patent No.:** **US D649,238 S**
Passauer, III (45) **Date of Patent:** **** Nov. 22, 2011**

(54) **COMBINED CEILING FAN HOUSING AND FAN BLADE ARMS**

(75) Inventor: **Willard F. Passauer, III**, Fort Lauderdale, FL (US)

(73) Assignee: **Chien Luen Industries Co., Ltd., Inc.**, Oakland Park, FL (US)

(**) Term: **14 Years**

(21) Appl. No.: **29/342,571**

(22) Filed: **Aug. 27, 2009**

(51) **LOC (9) Cl.** **23-04**

(52) **U.S. Cl.** **D23/411**

(58) **Field of Classification Search** D23/377, D23/379, 385, 411, 413; 416/5
 See application file for complete search history.

(56) **References Cited**

U.S. PATENT DOCUMENTS

D346,211 S	4/1994	Bucher et al.	
D347,056 S	5/1994	Bucher et al.	
D360,942 S	8/1995	Bucher et al.	
D376,641 S	12/1996	Bucher	
D430,283 S	8/2000	Wu	
D435,094 S	12/2000	Bucher	
6,394,756 B1	5/2002	Bucher et al.	
6,644,927 B2	11/2003	Bucher et al.	
D484,233 S	12/2003	Bucher et al.	
D484,587 S	12/2003	Bucher	
D485,345 S	1/2004	Bucher et al.	
D485,346 S	1/2004	Bucher et al.	
D485,347 S	1/2004	Bucher et al.	
D492,764 S *	7/2004	Campbell	D23/411
D501,250 S *	1/2005	Thomas, Jr.	D23/411
D510,992 S	10/2005	Bucher et al.	
D526,715 S *	8/2006	Glasbrenner	D23/411
D539,894 S	4/2007	Bucher et al.	
D541,466 S	4/2007	Bucher et al.	
D548,321 S	8/2007	Orozco	
D550,830 S *	9/2007	Guthrie	D23/386
D553,731 S	10/2007	Bucher et al.	
D554,252 S	10/2007	Bucher et al.	

D555,779 S	11/2007	Bucher	
D556,881 S	12/2007	Bucher et al.	
D560,299 S	1/2008	Bucher et al.	
D563,541 S	3/2008	Bucher et al.	
D565,173 S	3/2008	Bucher et al.	
D566,258 S	4/2008	Bucher et al.	
D566,259 S	4/2008	Bucher et al.	
D572,814 S	7/2008	Bucher et al.	
D574,985 S	8/2008	Bucher et al.	
D575,863 S	8/2008	Bucher et al.	
D577,809 S *	9/2008	Frisch	D23/411

* cited by examiner

Primary Examiner – Lisa Lichtenstein

(74) Attorney, Agent, or Firm – Brian S. Steinberger, Law Offices of Brian S. Steinberger, P.A.

(57) **CLAIM**

The ornamental design for a combined ceiling fan housing and fan blade arms, as shown and described.

DESCRIPTION

FIG. 1 is lower front side perspective view of a combined ceiling fan housing and fan blade arms.

FIG. 2 is an upper front side perspective view of the combined ceiling fan housing and fan blade arms of FIG. 1.

FIG. 3 is a reduced bottom view of the combined ceiling fan housing and fan blade arms of FIG. 1.

FIG. 4 is a reduced top view of the combined ceiling fan housing and fan blade arms of FIG. 1.

FIG. 5 is a front side view of the combined ceiling fan housing and fan blade arms of FIG. 1.

FIG. 6 is a rear side view of the combined ceiling fan housing and fan blade arms of FIG. 1.

FIG. 7 is a right side view of the combined ceiling fan housing and fan blade arms of FIG. 1; and

FIG. 8 is a left side view of the combined ceiling fan housing and fan blade arms of FIG. 1.

The broken line showing of the canopy, support rod, housing upper vents, and upper fastener holes, light shade and blades is included for the purpose of illustrating environmental structure and forms no part of the claimed design.

1 Claim, 8 Drawing Sheets

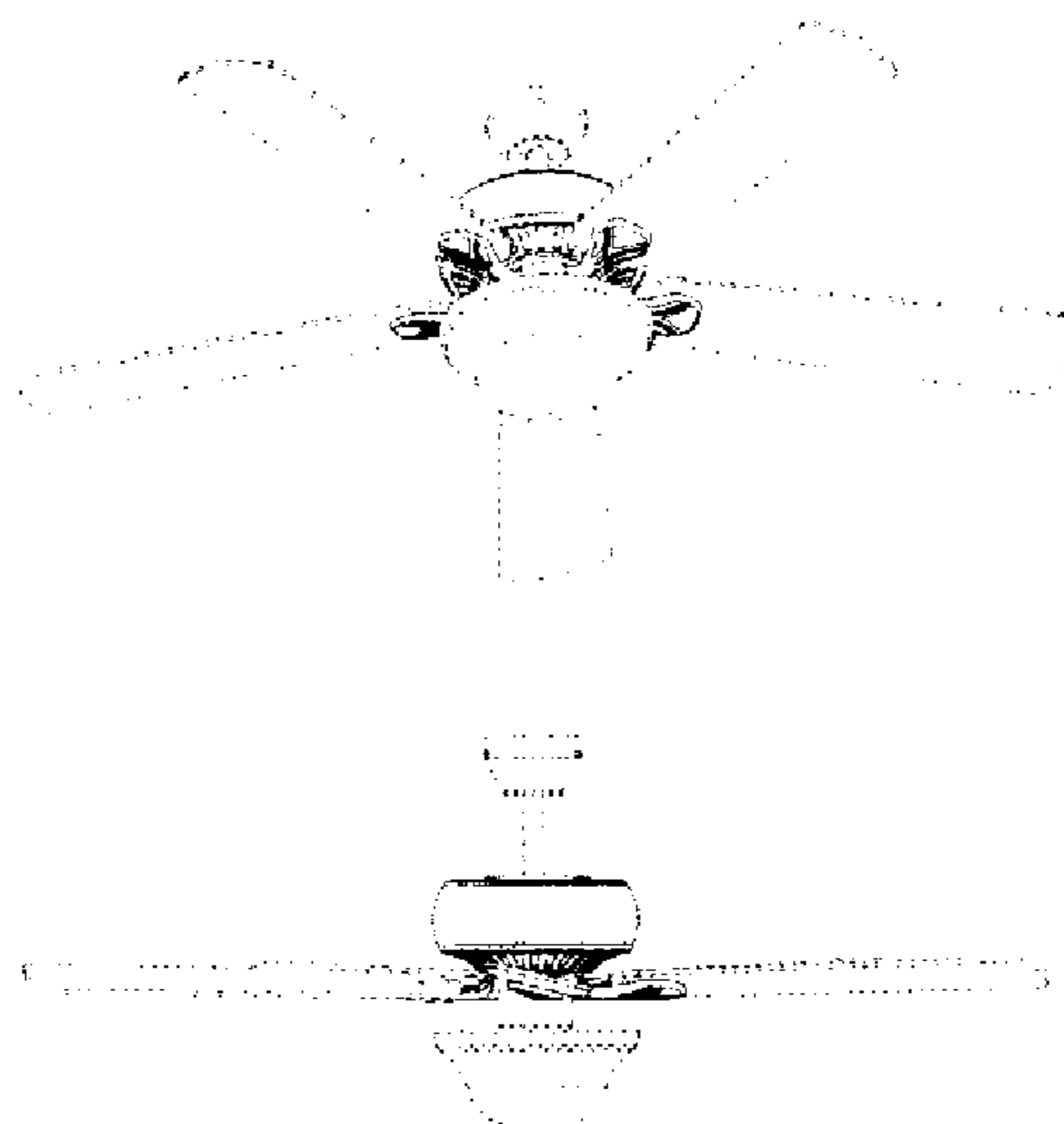
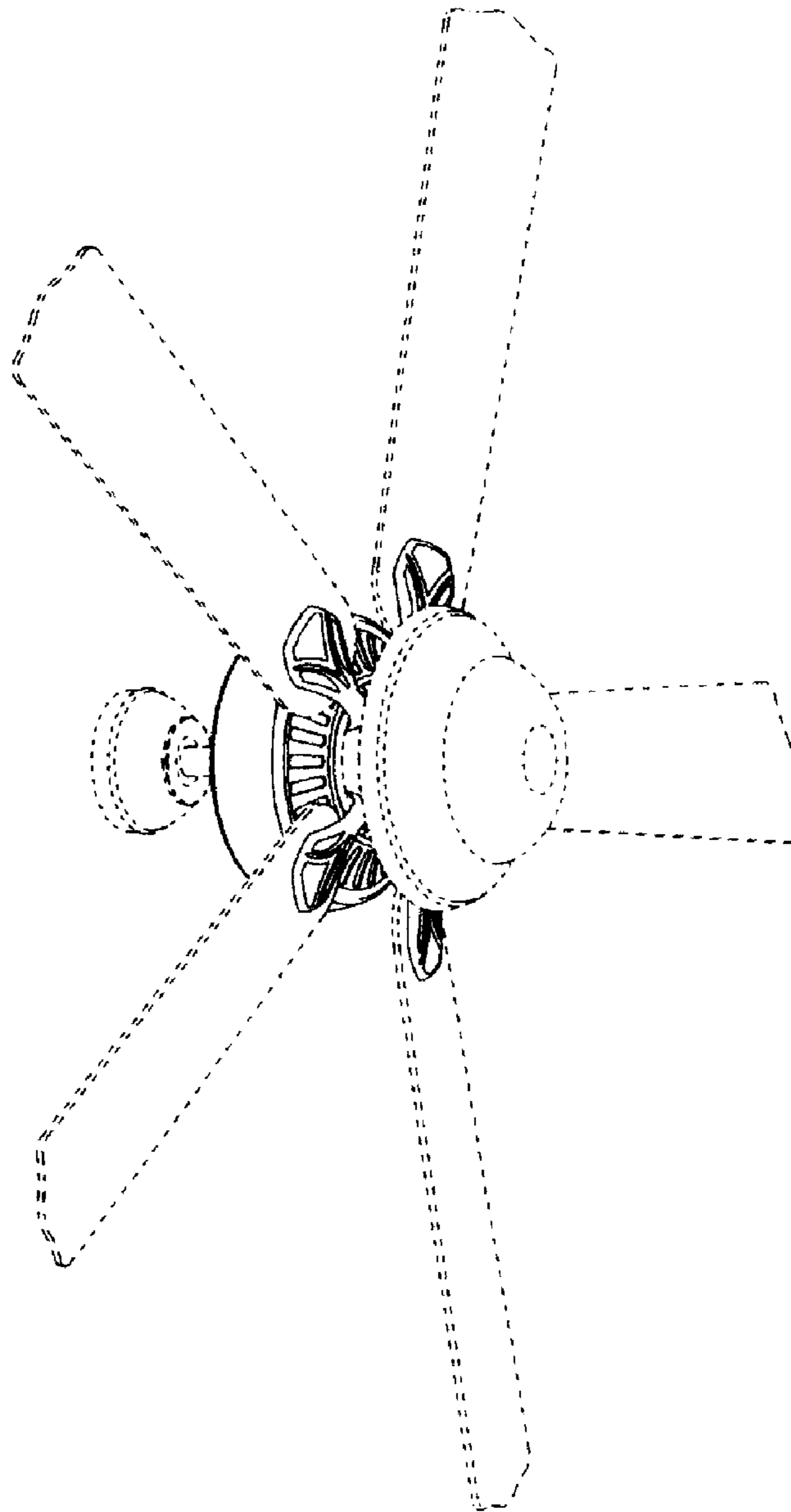


FIG. 1



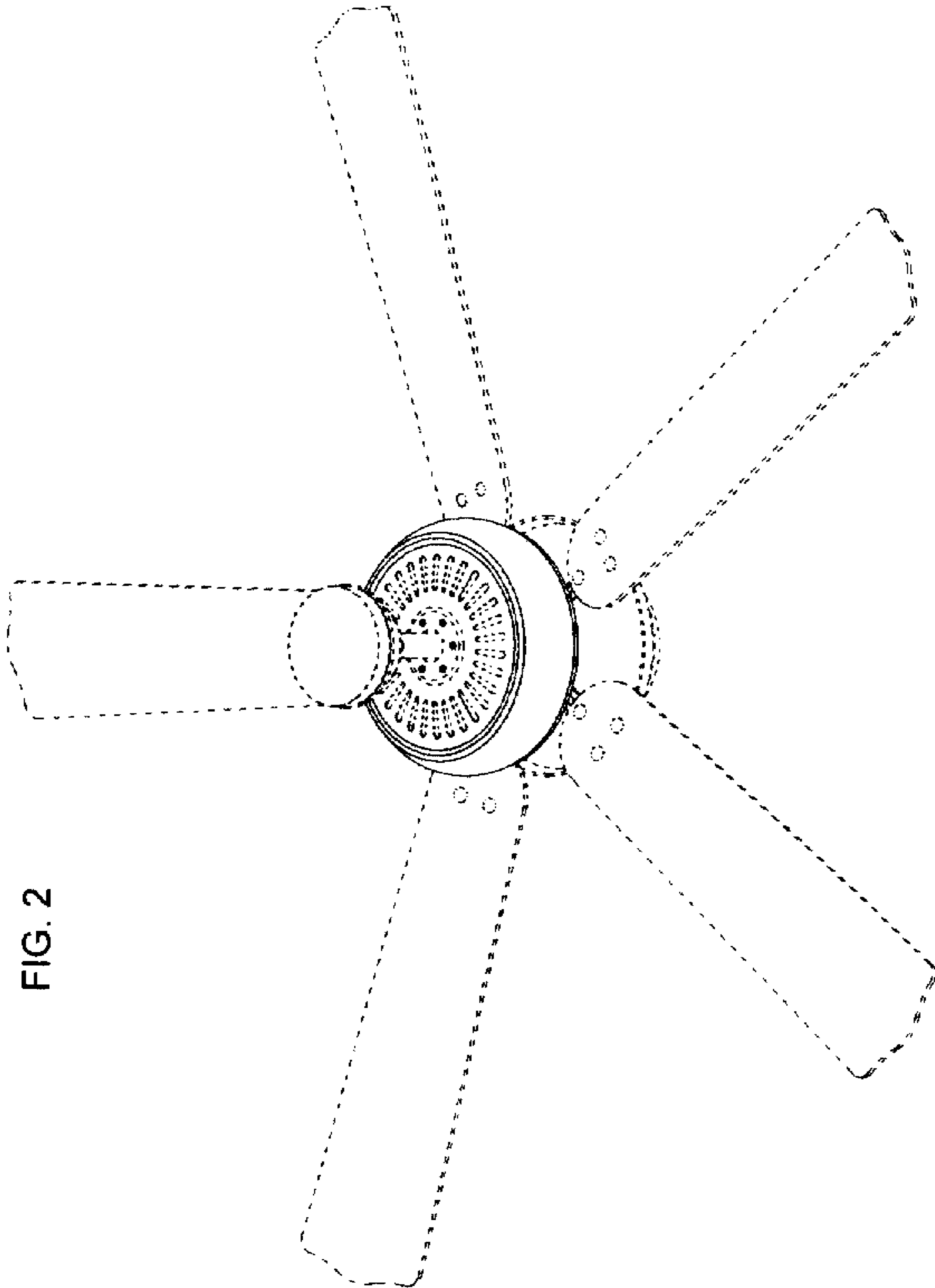
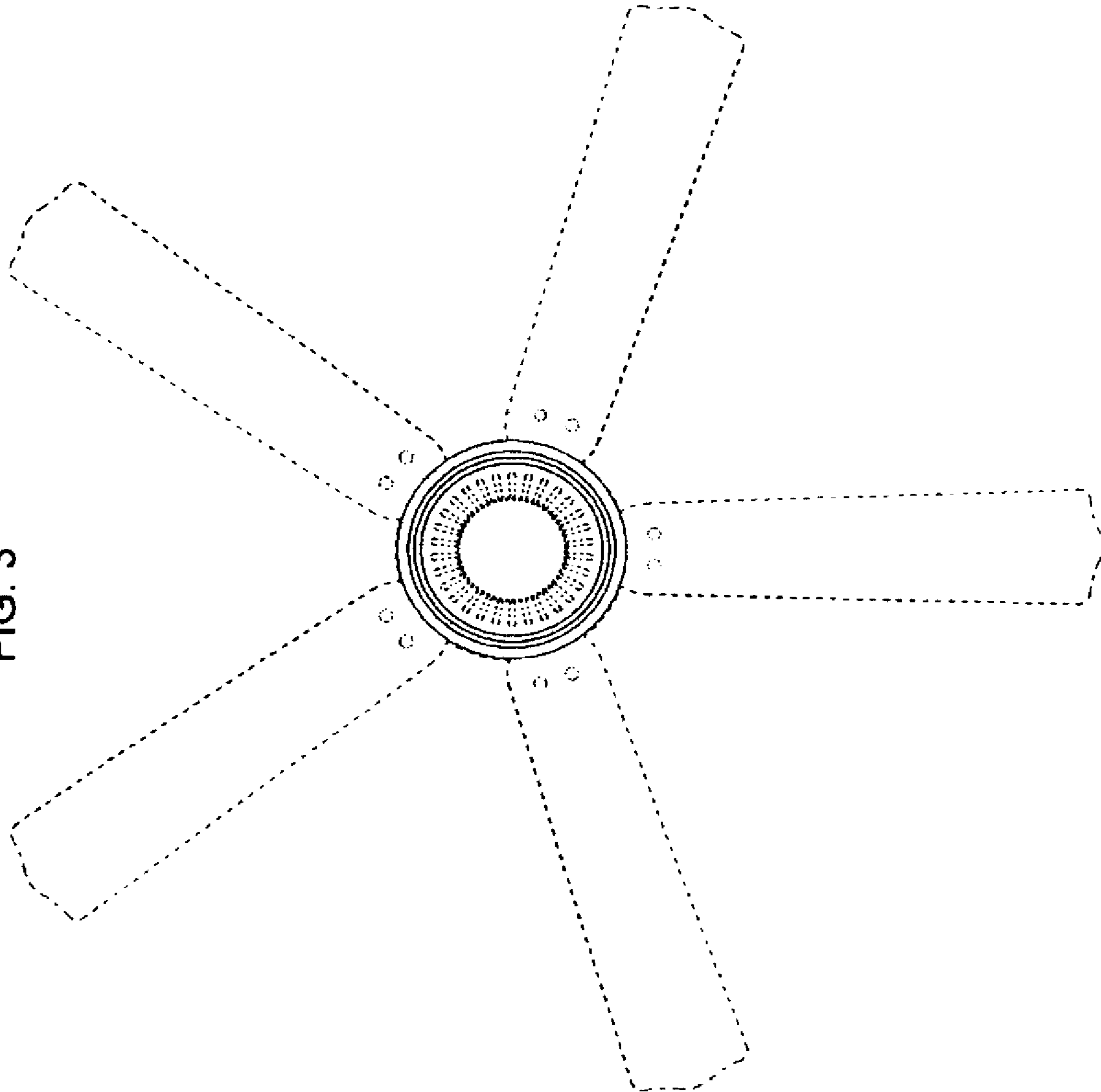


FIG. 2

FIG. 3



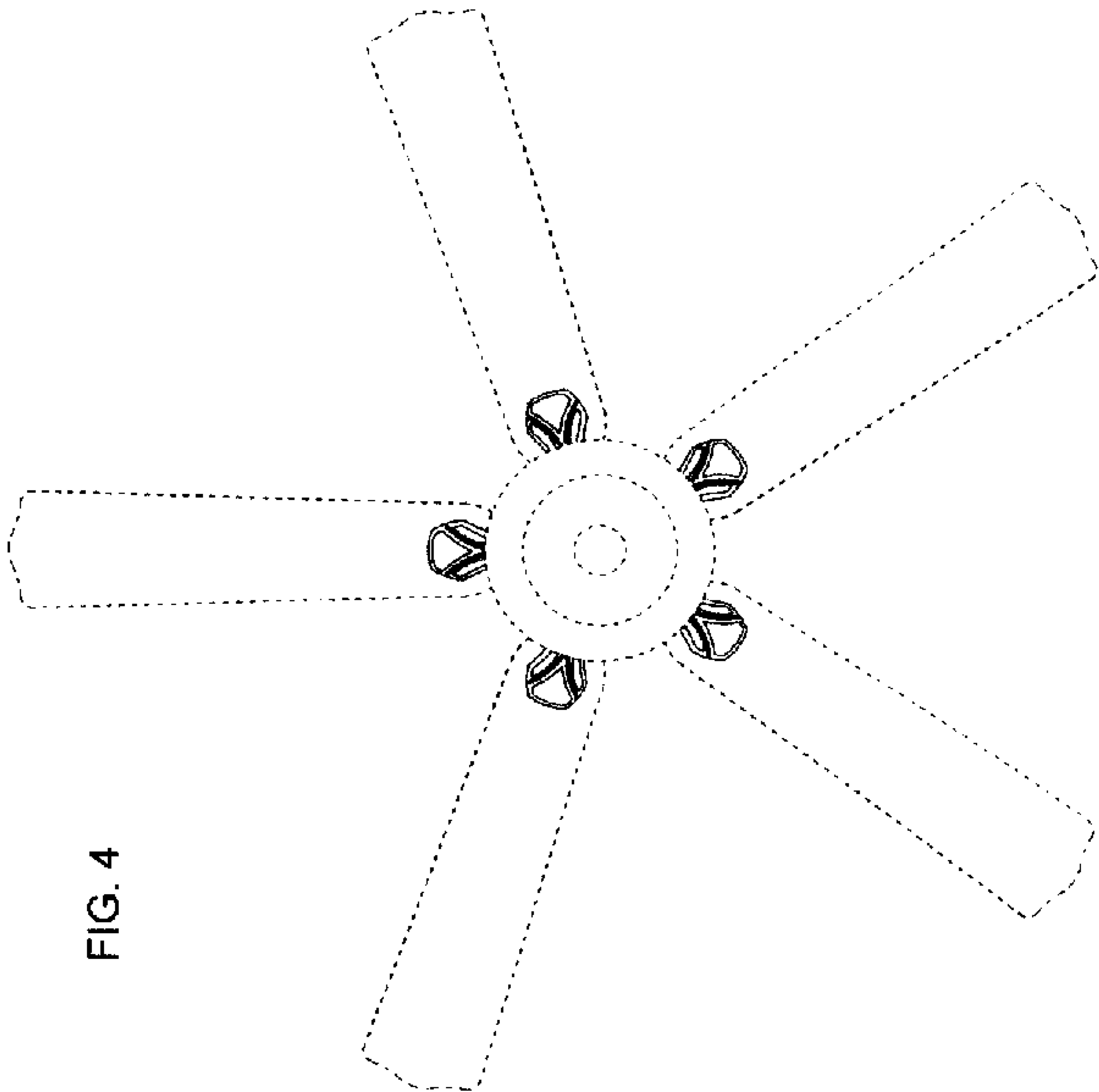


FIG. 4

FIG. 5

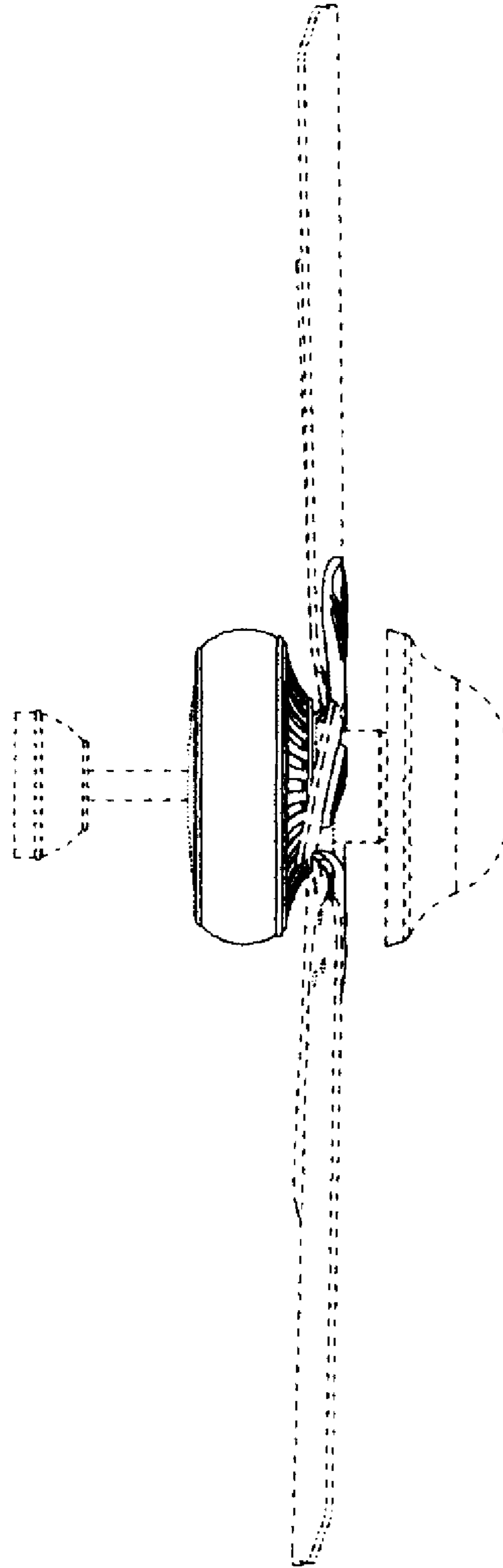


FIG. 6

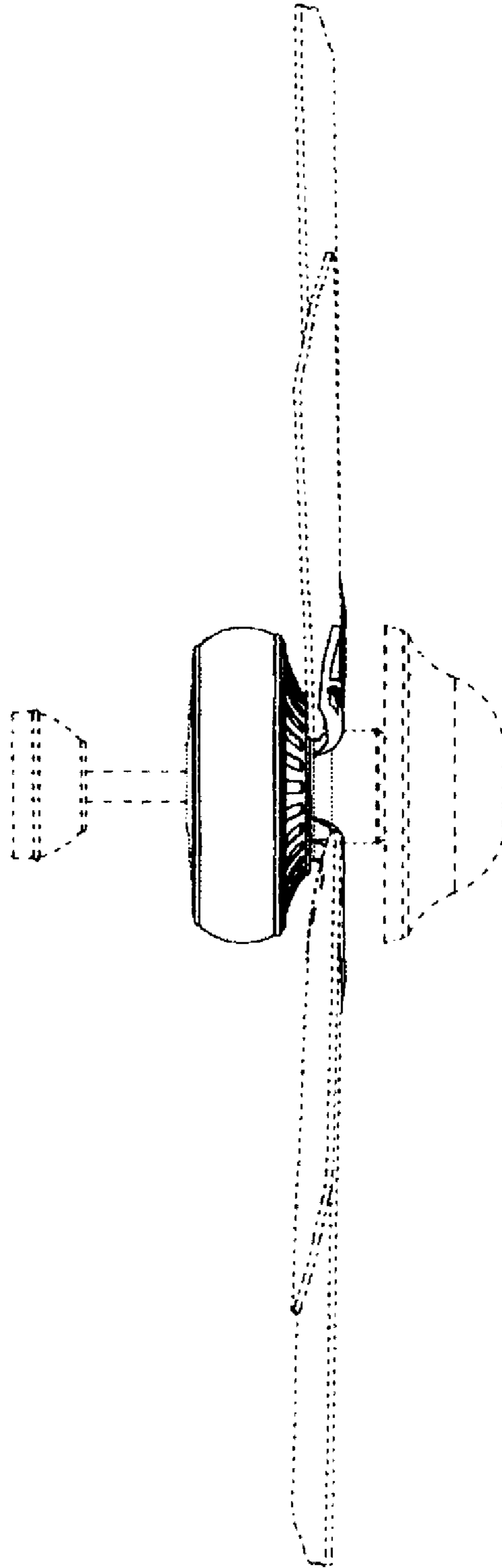


FIG. 7

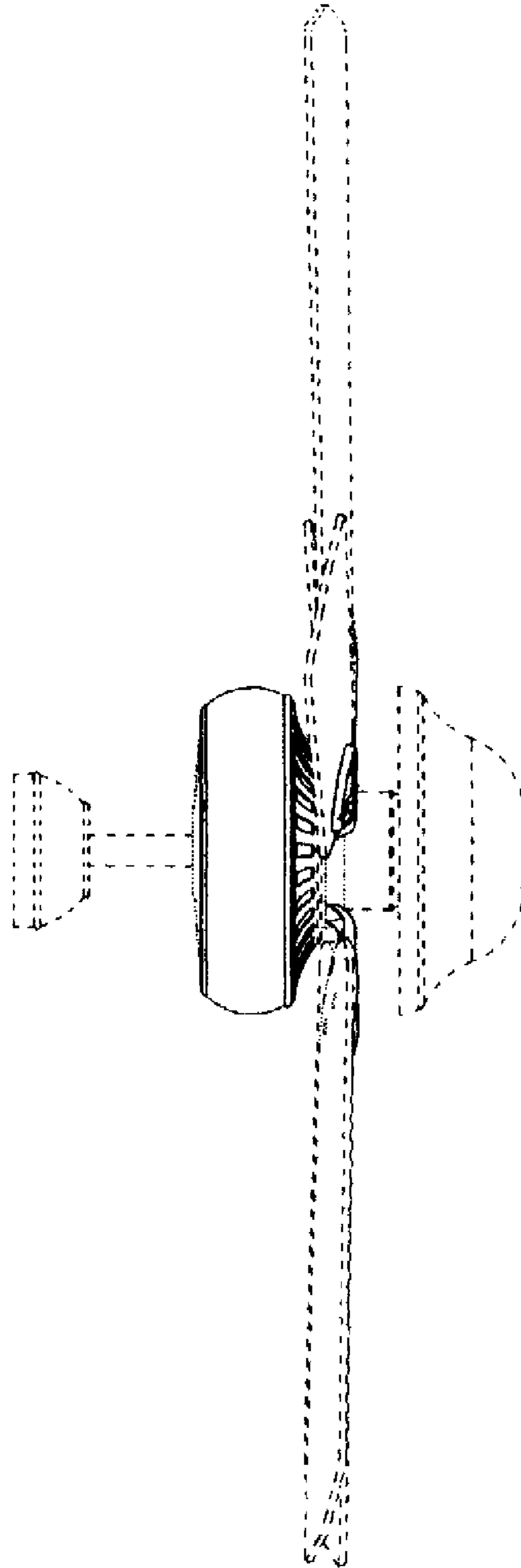


FIG. 8

