



US00D649237S

(12) **United States Design Patent**
Bilko et al.

(10) **Patent No.:** **US D649,237 S**

(45) **Date of Patent:** **** Nov. 22, 2011**

(54) **ELECTRONIC AEROSOL**

(75) Inventors: **John Pawel Bilko**, Swindon (GB);
Oliver George Glynn, Faringdon (GB);
Stephen Robert Arnell, Swindon (GB);
Adrian Roy Chapman, Swindon (GB)

(73) Assignee: **Crown Packaging Technology, Inc.**,
Alsip, IL (US)

(**) Term: **14 Years**

(21) Appl. No.: **29/381,226**

(22) Filed: **Dec. 16, 2010**

(30) **Foreign Application Priority Data**

Jun. 16, 2010 (EM) 001720681

(51) **LOC (9) Cl.** **28-99**

(52) **U.S. Cl.** **D23/366**

(58) **Field of Classification Search** D23/355-369;
D28/5, 6; 261/DIG. 17, DIG. 42, DIG. 65,
261/DIG. 88, DIG. 89; 392/386, 390, 391,
392/392, 393, 394, 395; 239/34, 35, 44-47,
239/50, 53, 56, 60, 145, 326

See application file for complete search history.

(56) **References Cited**

U.S. PATENT DOCUMENTS

D255,047 S * 5/1980 Muller et al. D23/369
D255,263 S * 6/1980 Mandon et al. D23/369
D266,107 S * 9/1982 Schimanski D23/369
D268,361 S * 3/1983 von Philipp et al. D23/369
D268,520 S * 4/1983 LeCaire Jr. D23/369
D268,613 S * 4/1983 Beacham D23/369
D268,614 S * 4/1983 von Philipp et al. D23/369
D270,468 S * 9/1983 Hoyt D23/369
D275,222 S * 8/1984 Hoyt D23/369

D278,370 S * 4/1985 Speitel D28/91.1
D289,919 S * 5/1987 O'Neil, Jr. D23/366
D289,920 S * 5/1987 O'Neil, Jr. D23/366
D373,626 S * 9/1996 Dente et al. D23/366
D390,940 S * 2/1998 Chen D23/366
D492,067 S * 6/2004 Garcia et al. D28/91.1
D521,620 S * 5/2006 Tseng et al. D23/364
D549,812 S * 8/2007 Fellows et al. D23/366
D550,345 S * 9/2007 Weggelaar D23/366
D551,333 S * 9/2007 Wu D23/366
D555,778 S * 11/2007 Fellows et al. D23/366
D565,715 S * 4/2008 Wu D23/366
D575,384 S * 8/2008 Huang D23/366
D584,391 S * 1/2009 Howlett et al. D23/366
D585,129 S * 1/2009 Huang D23/366
D591,415 S * 4/2009 Wu D23/366

* cited by examiner

Primary Examiner — Sandra Snapp

(74) *Attorney, Agent, or Firm* — Woodcock Washburn LLP

(57) **CLAIM**

The ornamental design for an electronic aerosol, as shown and described.

DESCRIPTION

This application is related by subject matter to copending U.S. applications Ser. Nos. 29/381,216 and 29/381,222, both currently pending, and each entitled "Electronic Aerosol."

FIG. 1 is a top perspective view of an electronic aerosol according to our design;

FIG. 2 is a bottom perspective view thereof;

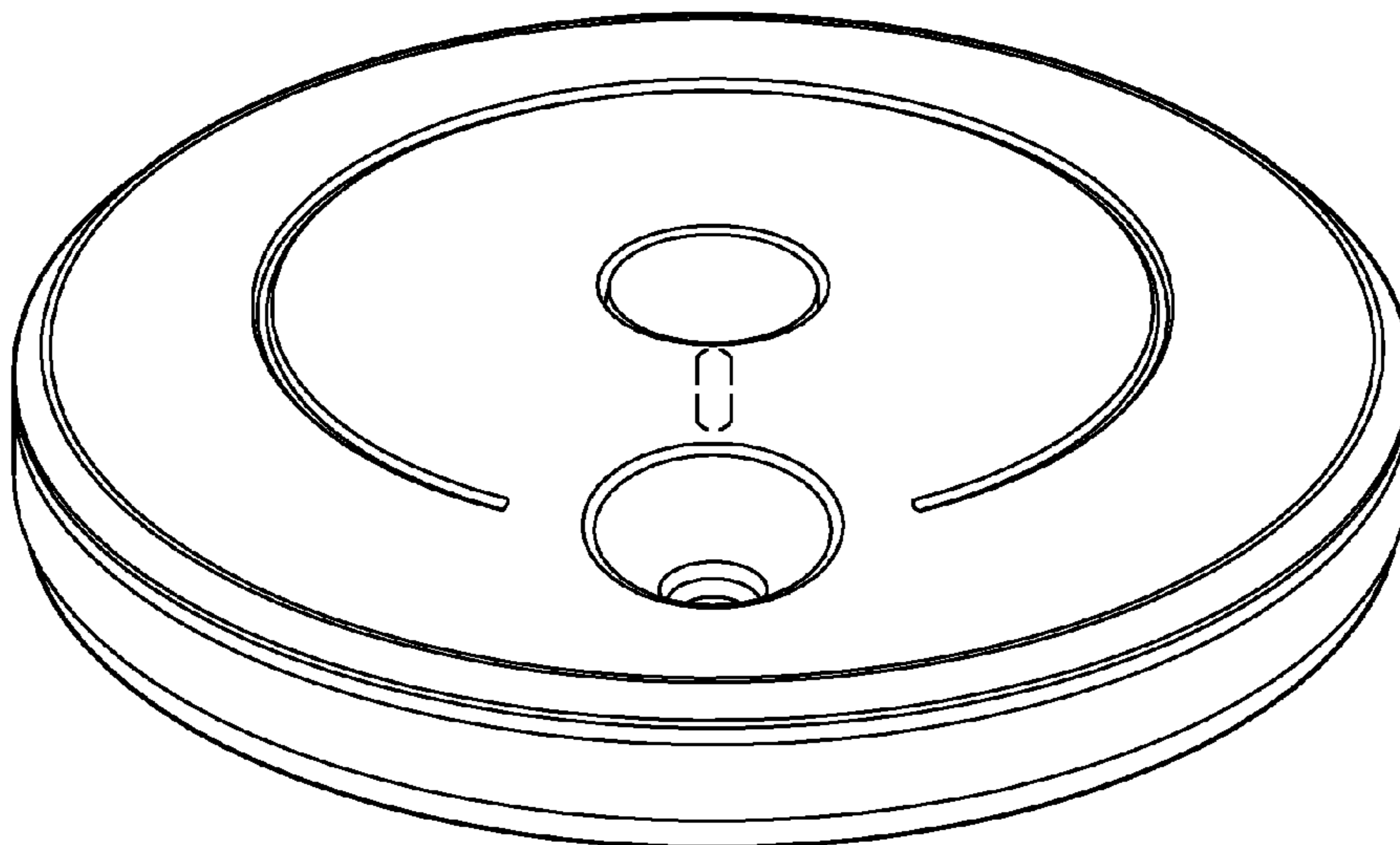
FIG. 3 is a top plan view thereof;

FIG. 4 is a front elevation view thereof; and,

FIG. 5 is left side view thereof, which is identical to the right side view and rear elevation view thereof.

Any broken line portion of the drawings is included to show environmental subject matter only and forms no part of the claimed design.

1 Claim, 4 Drawing Sheets



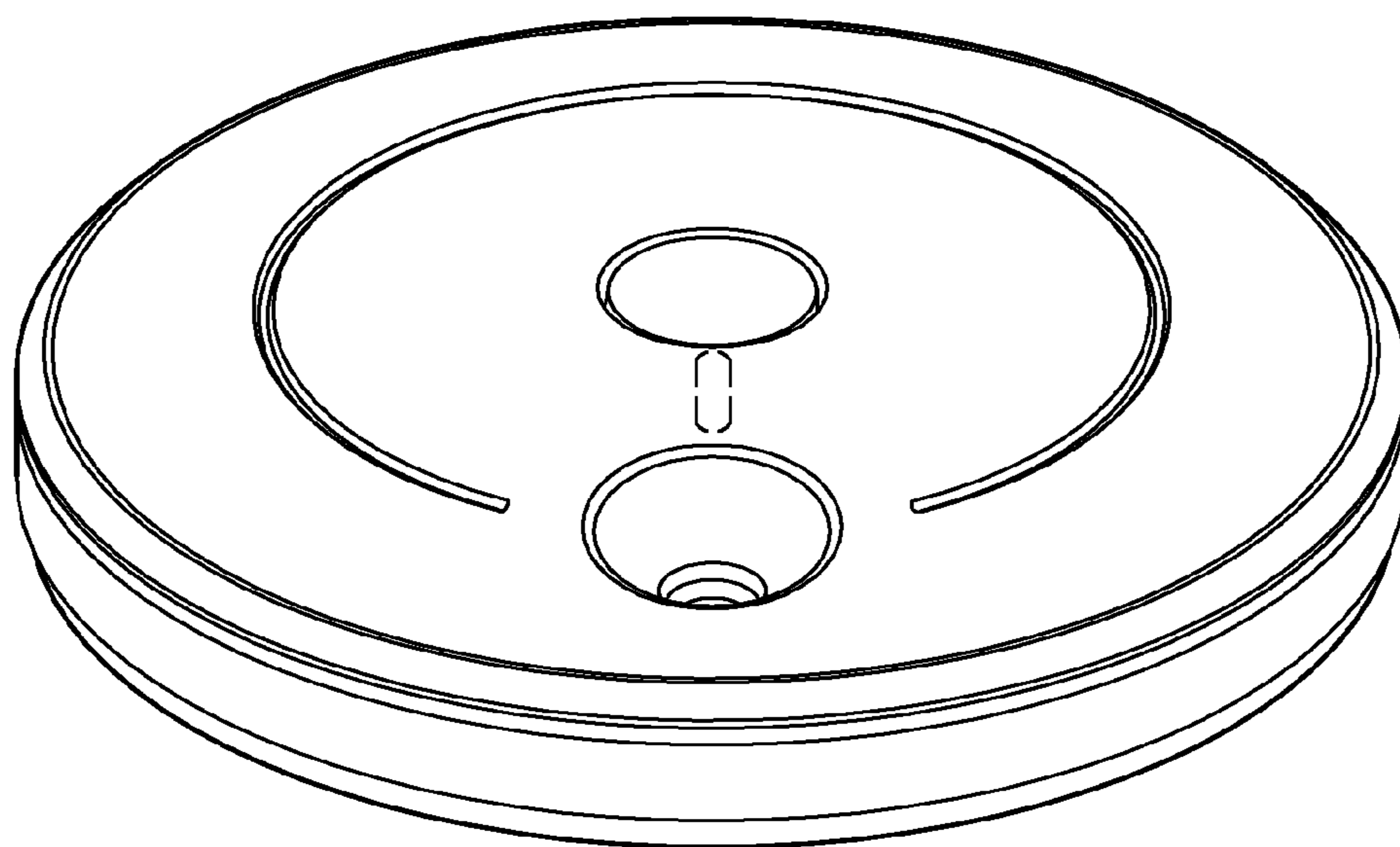


FIG. 1

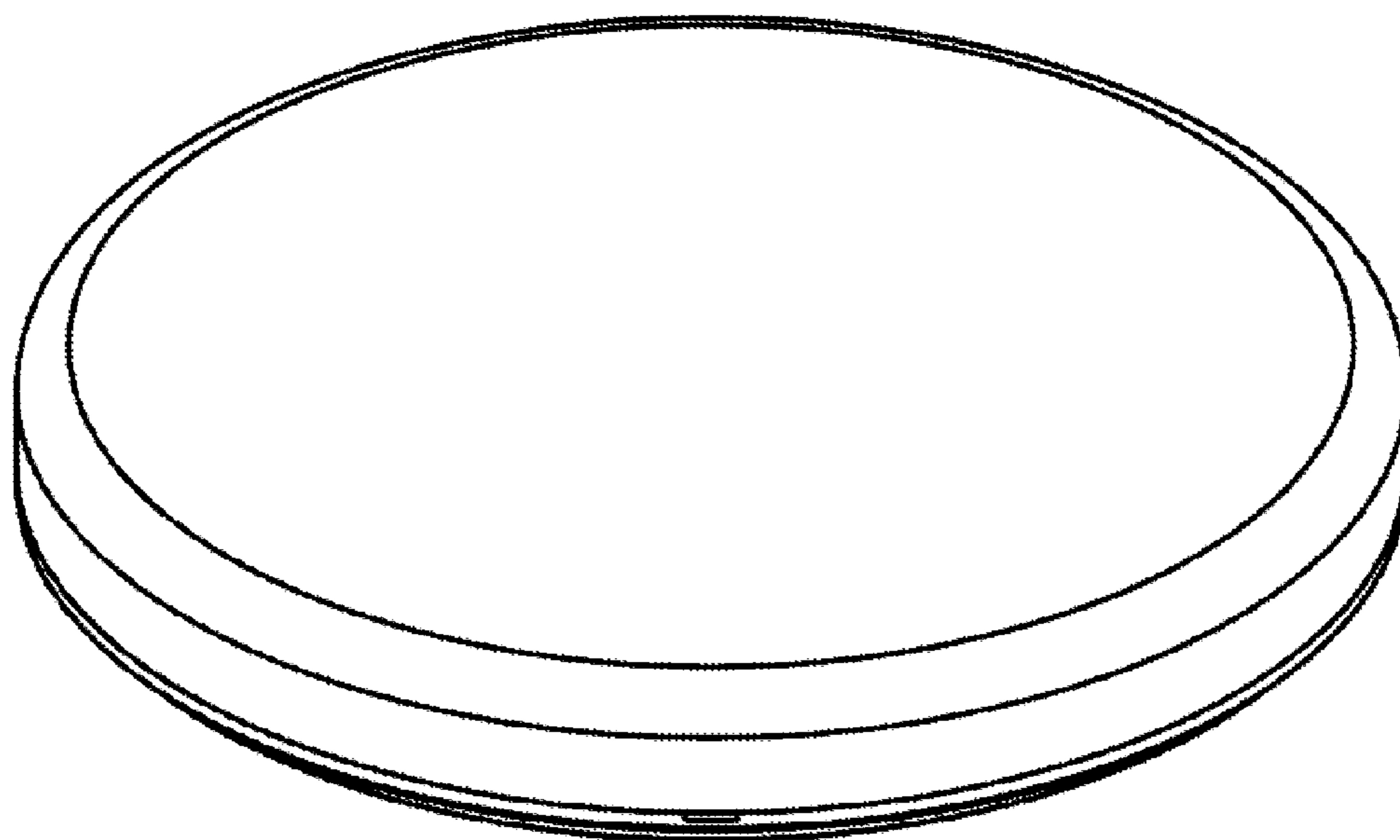


Fig. 2

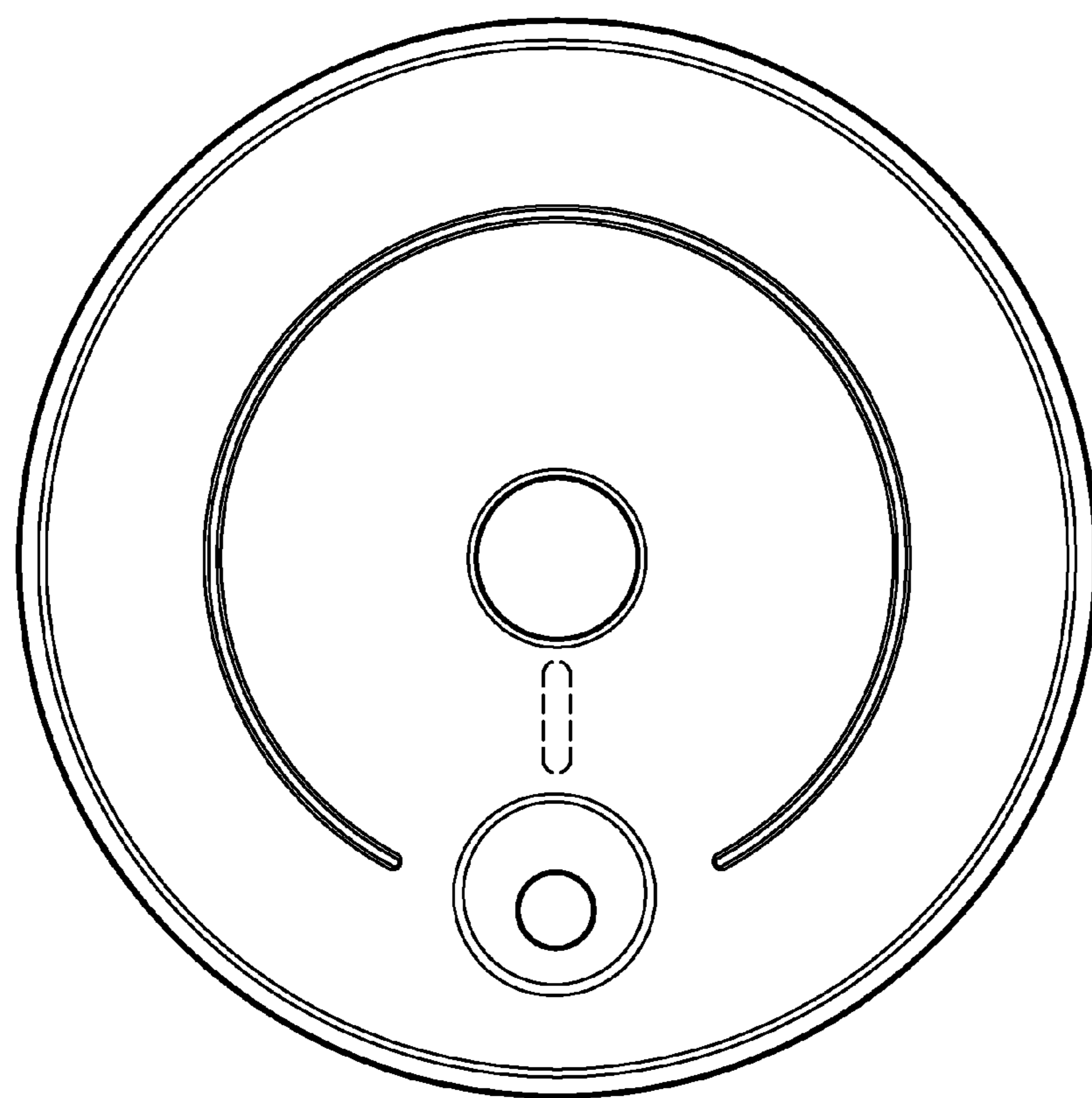


FIG. 3



Fig. 4

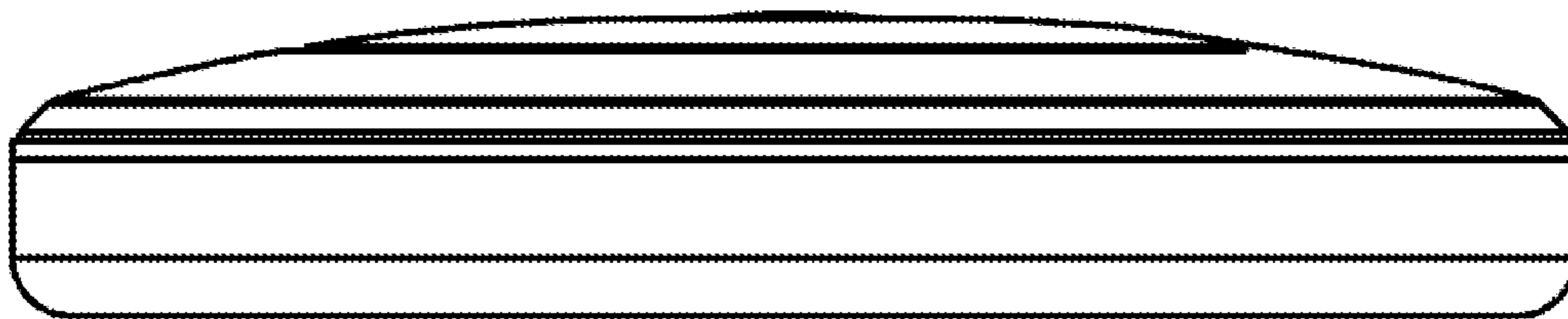


Fig. 5