



US00D649236S

(12) **United States Design Patent**  
**Bilko et al.**

(10) **Patent No.:** **US D649,236 S**

(45) **Date of Patent:** **\*\* Nov. 22, 2011**

(54) **ELECTRONIC AEROSOL**

(75) Inventors: **John Pawel Bilko**, Swindon (GB);  
**Oliver George Glynn**, Faringdon (GB);  
**Stephen Robert Arnell**, Swindon (GB);  
**Adrian Roy Chapman**, Swindon (GB)

(73) Assignee: **Crown Packaging Technology, Inc.**,  
Alsip, IL (US)

(\*\*) Term: **14 Years**

(21) Appl. No.: **29/381,222**

(22) Filed: **Dec. 16, 2010**

(30) **Foreign Application Priority Data**

Jun. 16, 2010 (EM) ..... 001720681

(51) **LOC (9) Cl.** ..... **28-99**

(52) **U.S. Cl.** ..... **D23/366**

(58) **Field of Classification Search** ..... D23/355-369;  
D28/5, 6; 261/DIG. 17, DIG. 42, DIG. 65,  
261/DIG. 88, DIG. 89; 392/386, 390, 391,  
392/392, 393, 394, 395; 239/34, 35, 44-47,  
239/50, 53, 56, 60, 145, 326

See application file for complete search history.

(56) **References Cited**

**U.S. PATENT DOCUMENTS**

D269,902 S \* 7/1983 Edwards ..... D23/369  
D270,863 S \* 10/1983 Martinez ..... D28/91.1  
D271,245 S \* 11/1983 Martinez ..... D28/91.1

D281,281 S \* 11/1985 Matalon ..... D28/5  
5,304,358 A \* 4/1994 Hoyt et al. .... 422/305  
D503,467 S \* 3/2005 Flashinski et al. .... D23/366  
D512,493 S \* 12/2005 Haranaka ..... D23/355  
D537,930 S \* 3/2007 Nelson ..... D23/366  
D538,914 S \* 3/2007 Nelson ..... D23/366  
D575,859 S \* 8/2008 Scimone ..... D23/366  
D575,860 S \* 8/2008 Wu ..... D23/366  
2010/0140371 A1 \* 6/2010 Zuo ..... 239/34  
2010/0288847 A1 \* 11/2010 Gruenbacher et al. .... 239/34

\* cited by examiner

*Primary Examiner* — Sandra Snapp

(74) *Attorney, Agent, or Firm* — Woodcock Washburn LLP

(57) **CLAIM**

The ornamental design for an electronic aerosol, as shown and described.

**DESCRIPTION**

This application is related by subject matter to copending applications Ser. No. 29/381,216 and 29/381,226, both currently pending, and each entitled "Electronic Aerosol."

FIG. 1 is a top perspective view of an electronic aerosol according to our design;

FIG. 2 is a right side view thereof;

FIG. 3 is a left side view thereof;

FIG. 4 is a top plan view thereof;

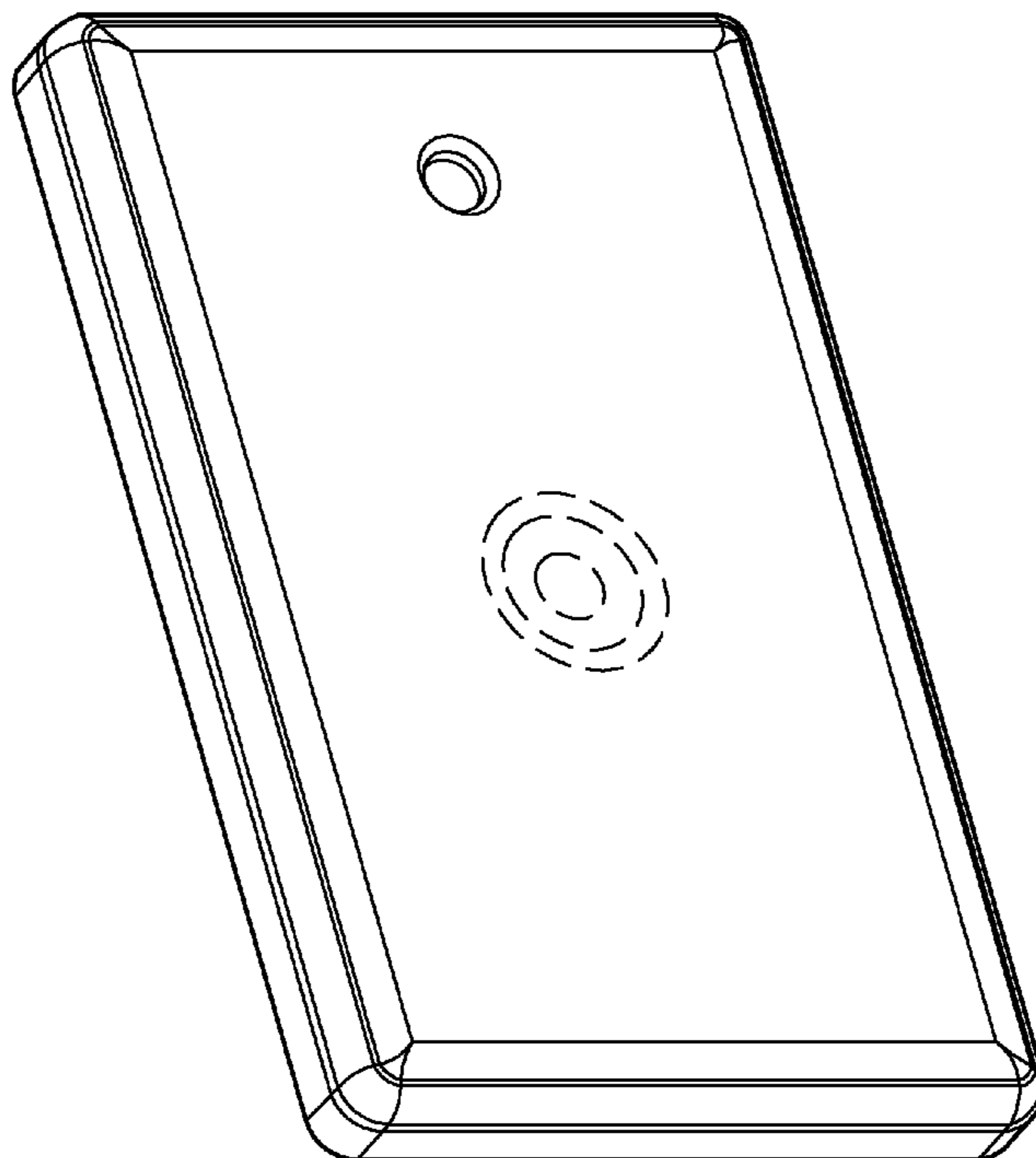
FIG. 5 is bottom plan view thereof;

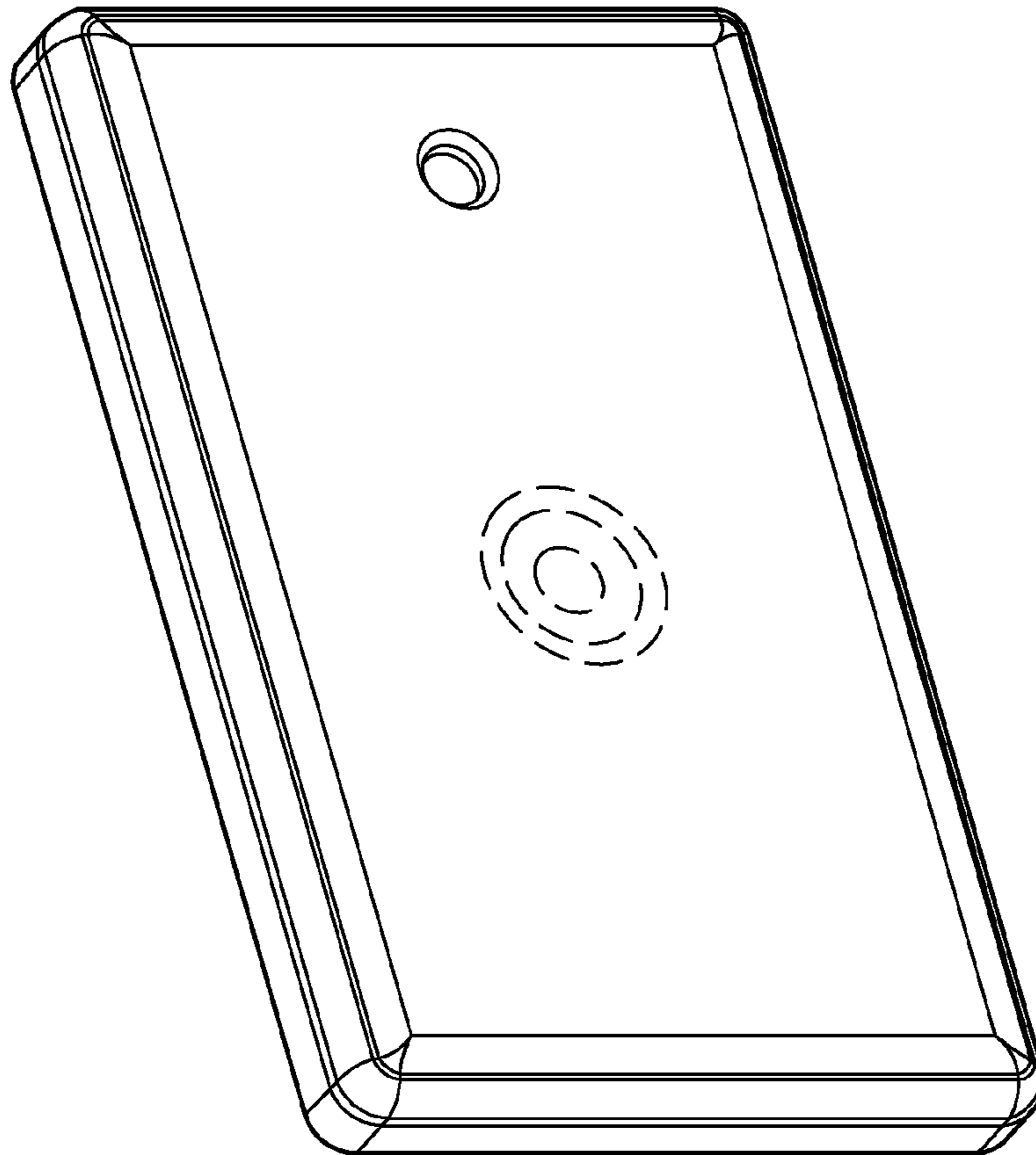
FIG. 6 is a front elevation view thereof; and,

FIG. 7 is a rear elevation view thereof.

Any broken line portion of the drawings is included to show environmental subject matter only and forms no part of the claimed design.

**1 Claim, 5 Drawing Sheets**





*FIG. 1*

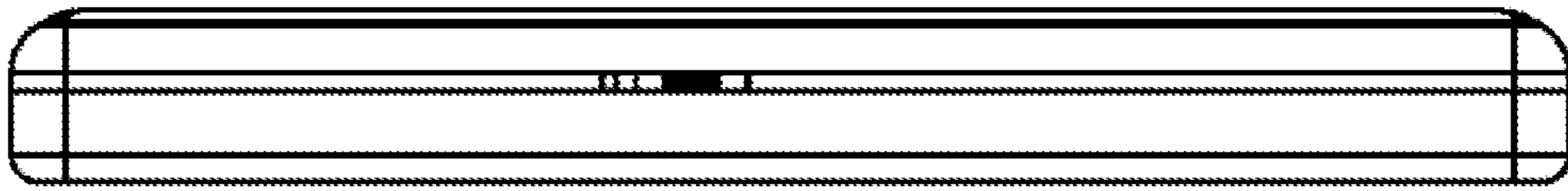


Fig. 2

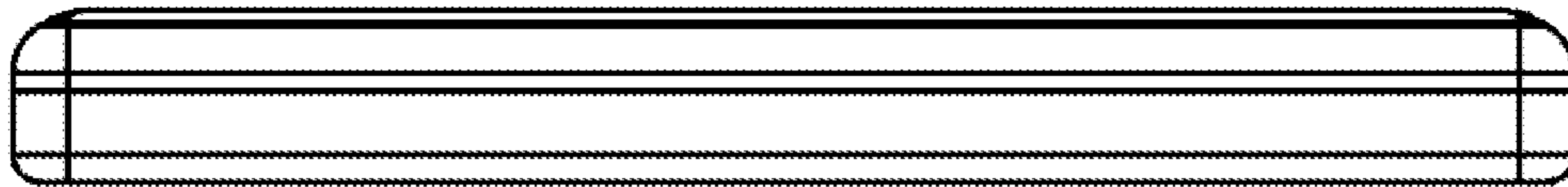
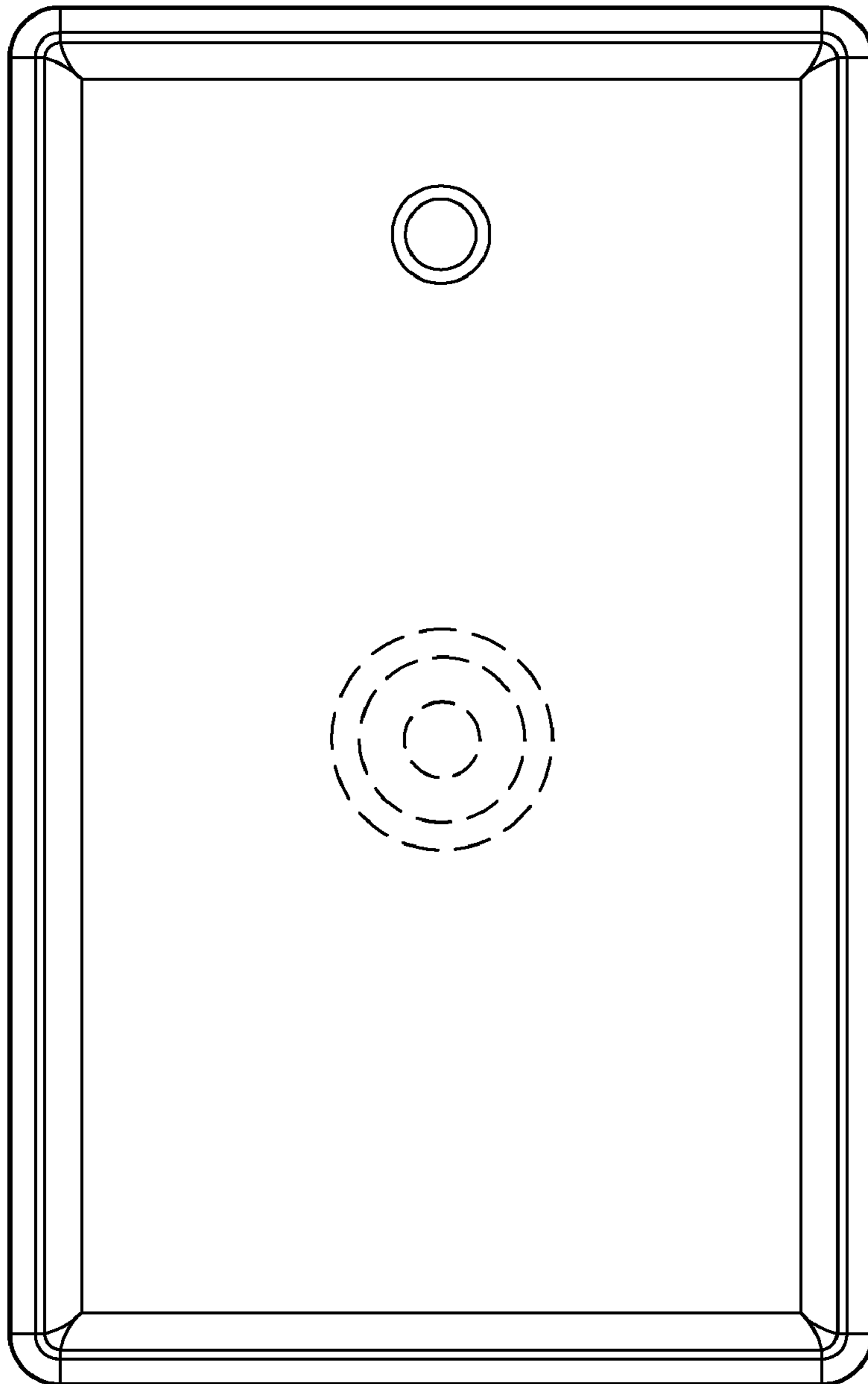


Fig. 3



*FIG. 4*

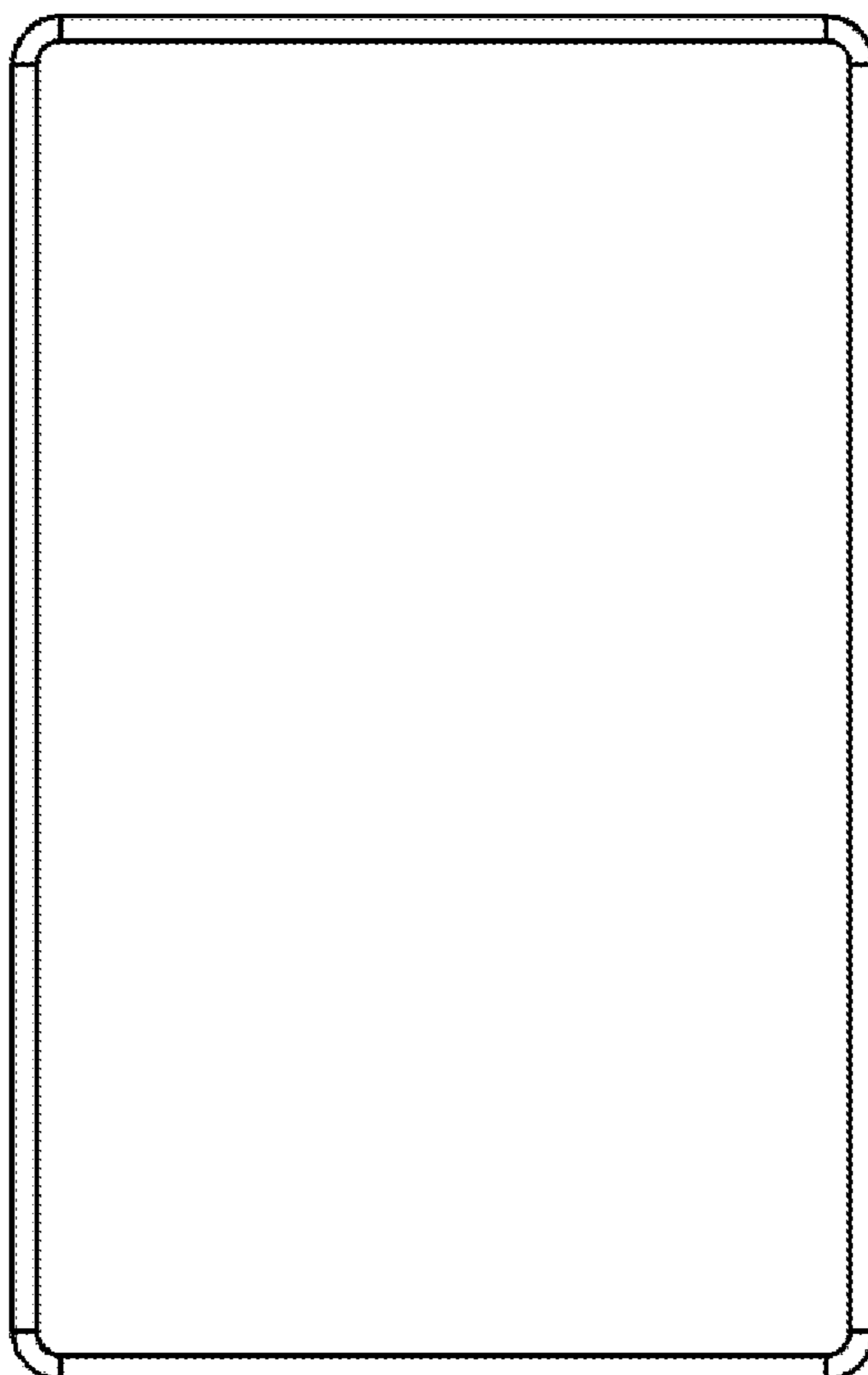


Fig. 5

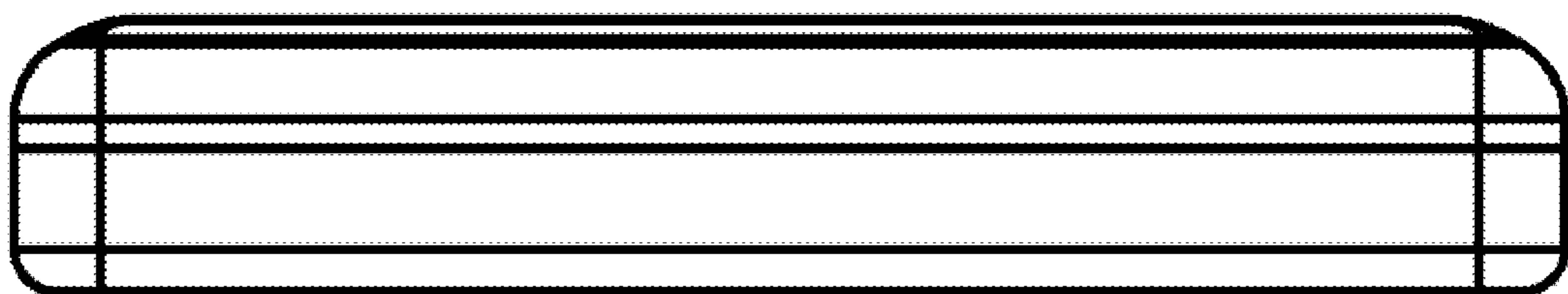


Fig. 6

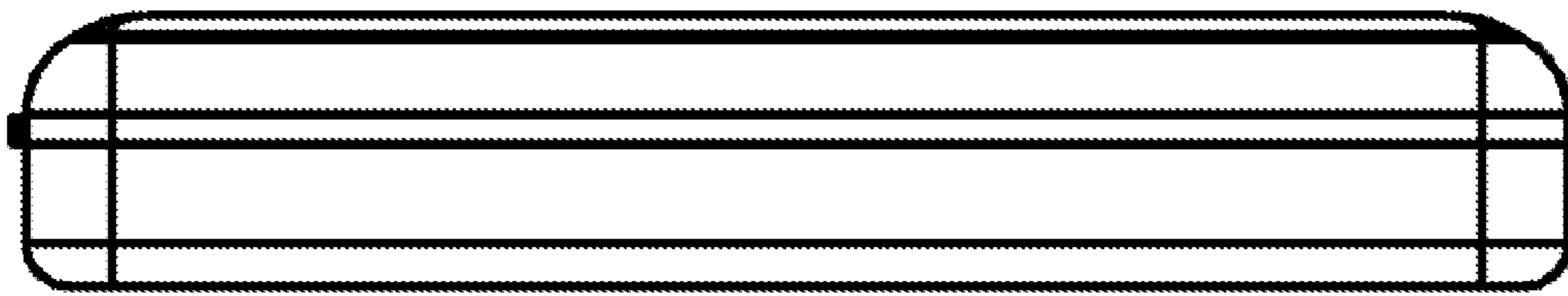


Fig . 7