



US00D649235S

(12) **United States Design Patent**
Crapser et al.

(10) **Patent No.:** **US D649,235 S**

(45) **Date of Patent:** **** Nov. 22, 2011**

(54) **CONTAINER HOLDER**

(75) Inventors: **James R. Crapser**, Racine, WI (US);
Thomas A. Helf, New Berlin, WI (US);
Evan A. Sparks, Madison, WI (US)

(73) Assignee: **S.C. Johnson & Son, Inc.**, Racine, WI (US)

(**) Term: **14 Years**

(21) Appl. No.: **29/378,778**

(22) Filed: **Nov. 9, 2010**

(51) **LOC (9) Cl.** **28-99**

(52) **U.S. Cl.** **D23/366**

(58) **Field of Classification Search** D23/355-369;
D28/5, 6; 261/DIG. 17, DIG. 42, DIG. 47,
261/DIG. 55, DIG. 65, DIG. 70, DIG. 88,
261/DIG. 89; 392/386, 390, 392, 394, 395;
239/34, 44, 53, 56, 60, 308, 326

See application file for complete search history.

(56) **References Cited**

U.S. PATENT DOCUMENTS

3,342,379	A	9/1967	Folev	
D217,872	S	6/1970	Sessions	
D228,994	S	11/1973	Reinecke et al.	
D273,607	S *	4/1984	Joyaux et al.	D23/208
RE32,017	E	11/1985	Hautmann et al.	
4,555,819	A	12/1985	Weiss et al.	
4,560,108	A	12/1985	Rubinstein	
4,660,765	A	4/1987	Rosenberg	
4,763,839	A	8/1988	Greenberg	
4,817,869	A	4/1989	Rubinstein	
D384,736	S *	10/1997	Goode et al.	D23/366
D400,965	S *	11/1998	Akwei	D23/208
D419,347	S	1/2000	Leonard	
D423,639	S	4/2000	Leonard	
D436,160	S	1/2001	Leonard et al.	
6,178,564	B1	1/2001	Leonard et al.	
6,230,334	B1	5/2001	Camp et al.	
D444,978	S	7/2001	Kauzlarich et al.	
6,389,610	B1	5/2002	Hautmann et al.	

6,434,758	B2	8/2002	Camp et al.	
6,505,356	B1	1/2003	Leonard et al.	
6,519,783	B2	2/2003	Falchieri	
D477,956	S	8/2003	Grisdale et al.	
D480,462	S *	10/2003	Conway et al.	D23/368
D481,896	S	11/2003	Shaanan	
6,651,261	B1	11/2003	Leonard et al.	
6,691,329	B2	2/2004	Slade	
D498,566	S	11/2004	Schick et al.	
6,820,821	B2	11/2004	Linstedt et al.	
D499,295	S	12/2004	Grisdale et al.	
D500,548	S *	1/2005	Conway et al.	D23/208
D500,550	S *	1/2005	Bariou et al.	D23/368
6,898,806	B2	5/2005	Keramidas	
D508,549	S	8/2005	Keramidas	
D509,293	S *	9/2005	Rivera	D23/368
D512,771	S *	12/2005	Conway et al.	D23/368
6,976,277	B2	12/2005	Keramidas	
7,021,494	B2	4/2006	Mazooji et al.	
7,114,199	B2	10/2006	Conway et al.	
D540,907	S	4/2007	Liu	

(Continued)

Primary Examiner — Sandra Snapp

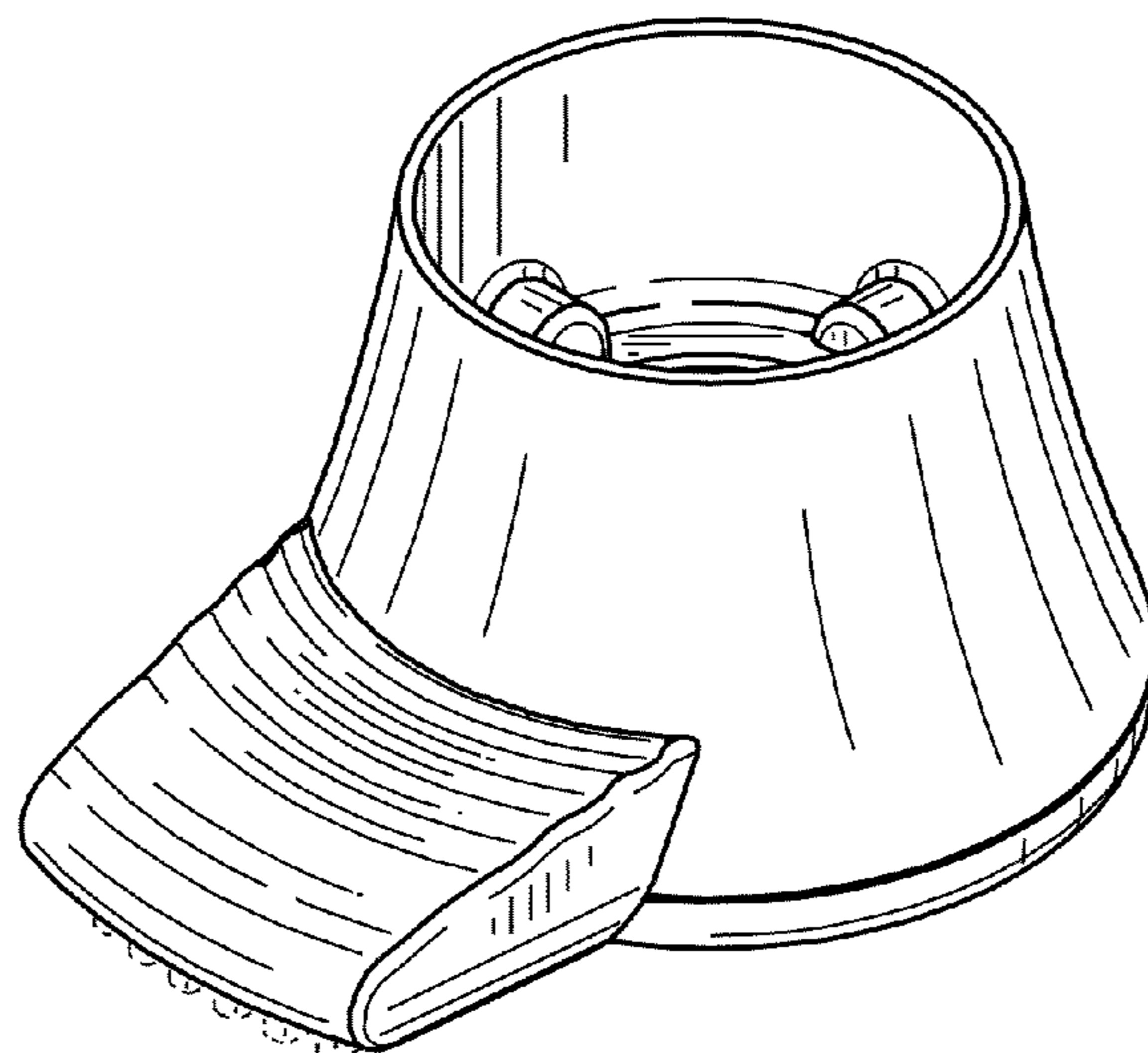
(57) **CLAIM**

The ornamental design for a container holder, as shown and described.

DESCRIPTION

FIG. 1 is a top, right, front perspective view of a container holder embodying our new design; FIG. 2 is a right elevational view thereof, the left elevational view being a mirror image thereof; FIG. 3 is a front elevational view thereof; FIG. 4 is a rear elevational view thereof; FIG. 5 is a top plan view thereof; FIG. 6 is a bottom plan view thereof; and, FIG. 7 is a section view along line 7-7 of FIG. 5. The broken line representations of supports and internal structure in the views are for illustrative purposes only and form no part of the claimed design.

1 Claim, 3 Drawing Sheets



US D649,235 S

Page 2

U.S. PATENT DOCUMENTS

7,234,175	B2	6/2007	Wilson et al.				
D565,693	S	4/2008	Keramidas				
D568,960	S	5/2008	Cheung et al.				
D581,010	S	11/2008	Sparks et al.				
D583,903	S	12/2008	Sparks et al.				
D591,824	S *	5/2009	Leonard et al.	D23/208			
D595,388	S *	6/2009	Leonard et al.	D23/208			
D595,389	S *	6/2009	Leonard et al.	D23/208			
D613,367	S *	4/2010	Burt et al.	D23/208			
D643,101	S *	8/2011	Abbondanzio et al.	D23/366			
2002/0083514	A1	7/2002	Lhoste				
2007/0136937	A1	6/2007	Sawalski et al.				
2007/0234470	A1	10/2007	Sawalski et al.				
2007/0240252	A1 *	10/2007	Leonard et al.	4/223			
2008/0017762	A1 *	1/2008	Leonard et al.	248/79			
2008/0272200	A1 *	11/2008	Ordiway et al.	239/7			
2010/0025728	A1 *	2/2010	Faure	257/190			

* cited by examiner

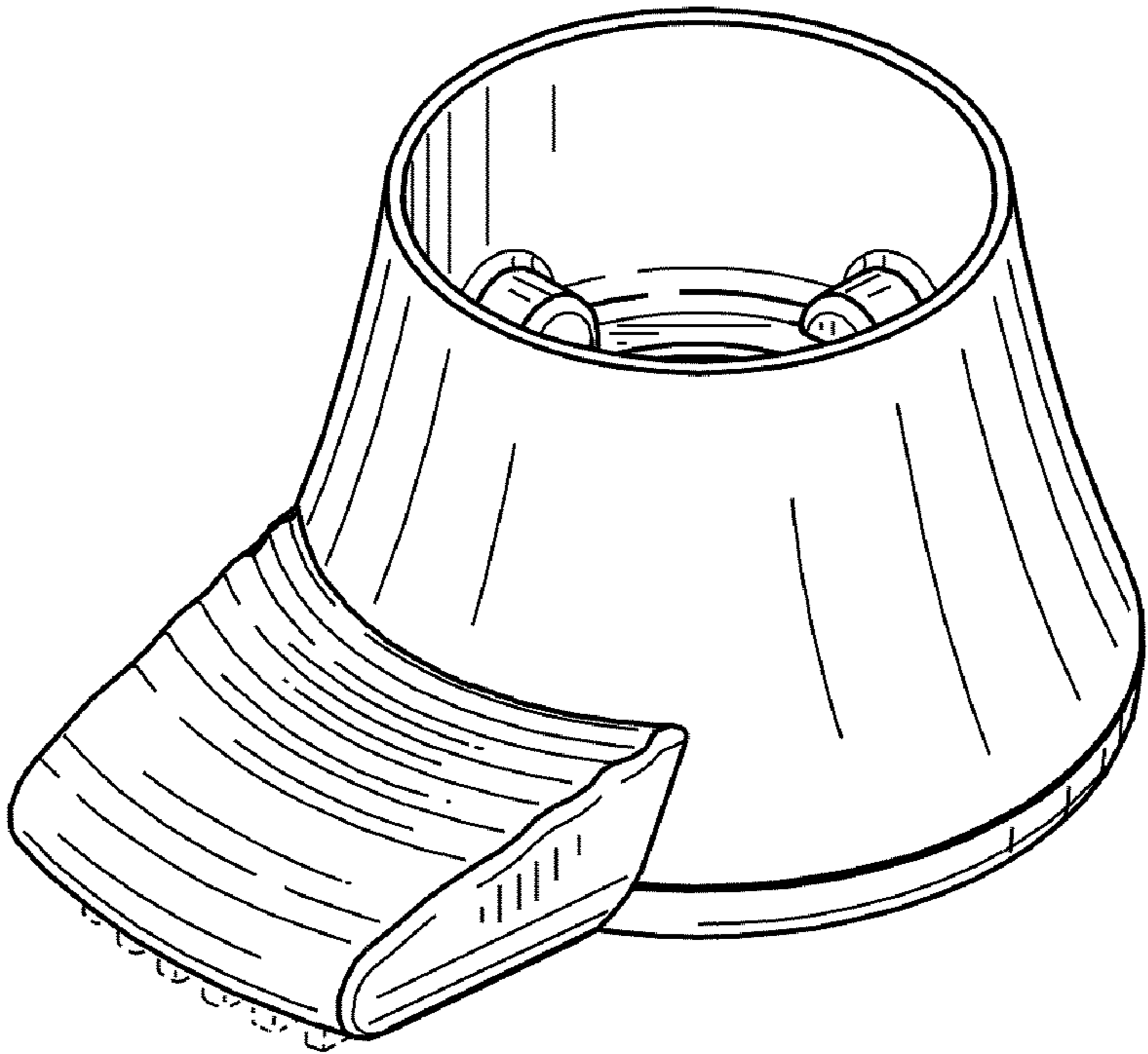


FIG. 1

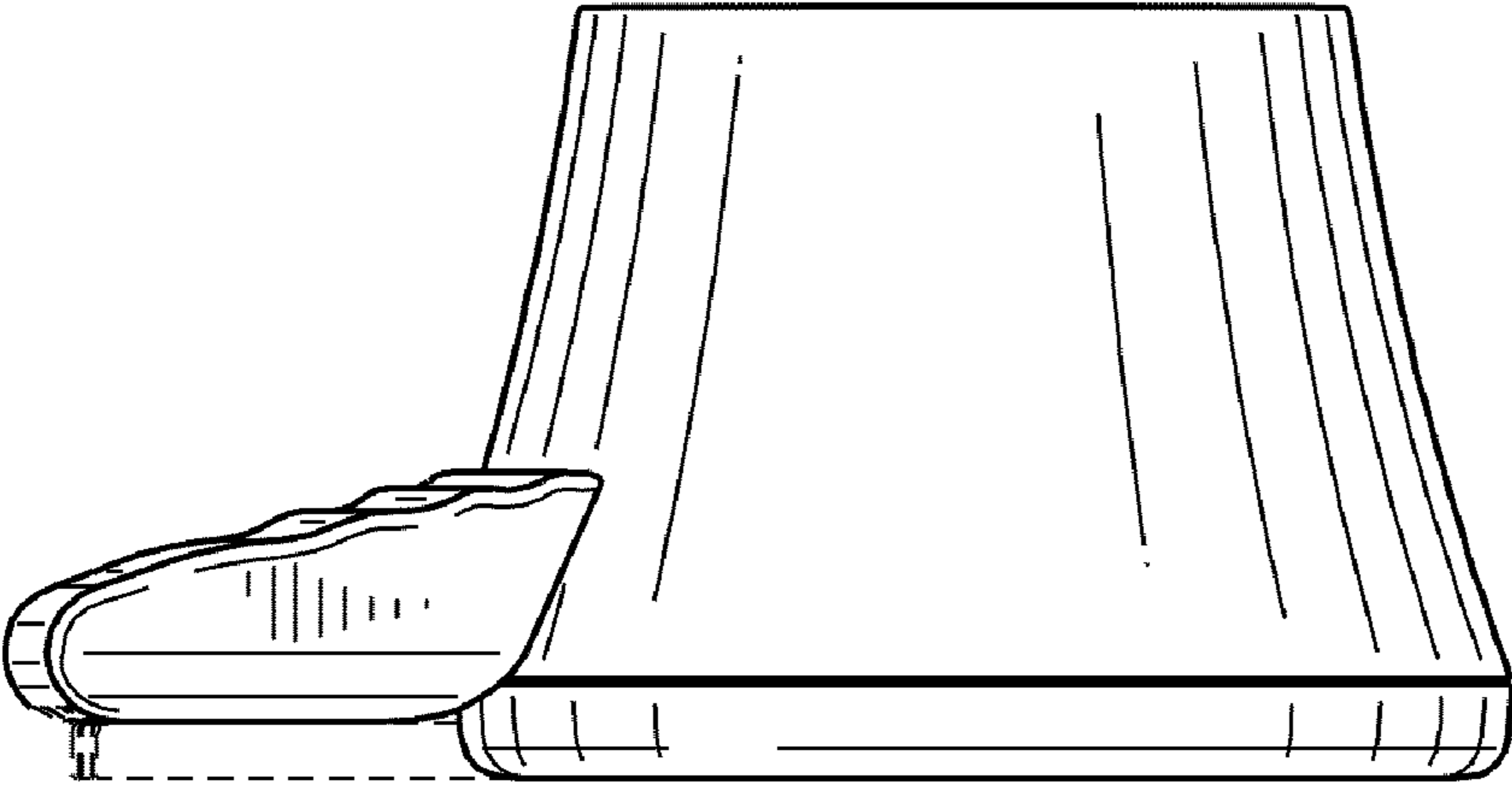


FIG. 2

FIG. 3

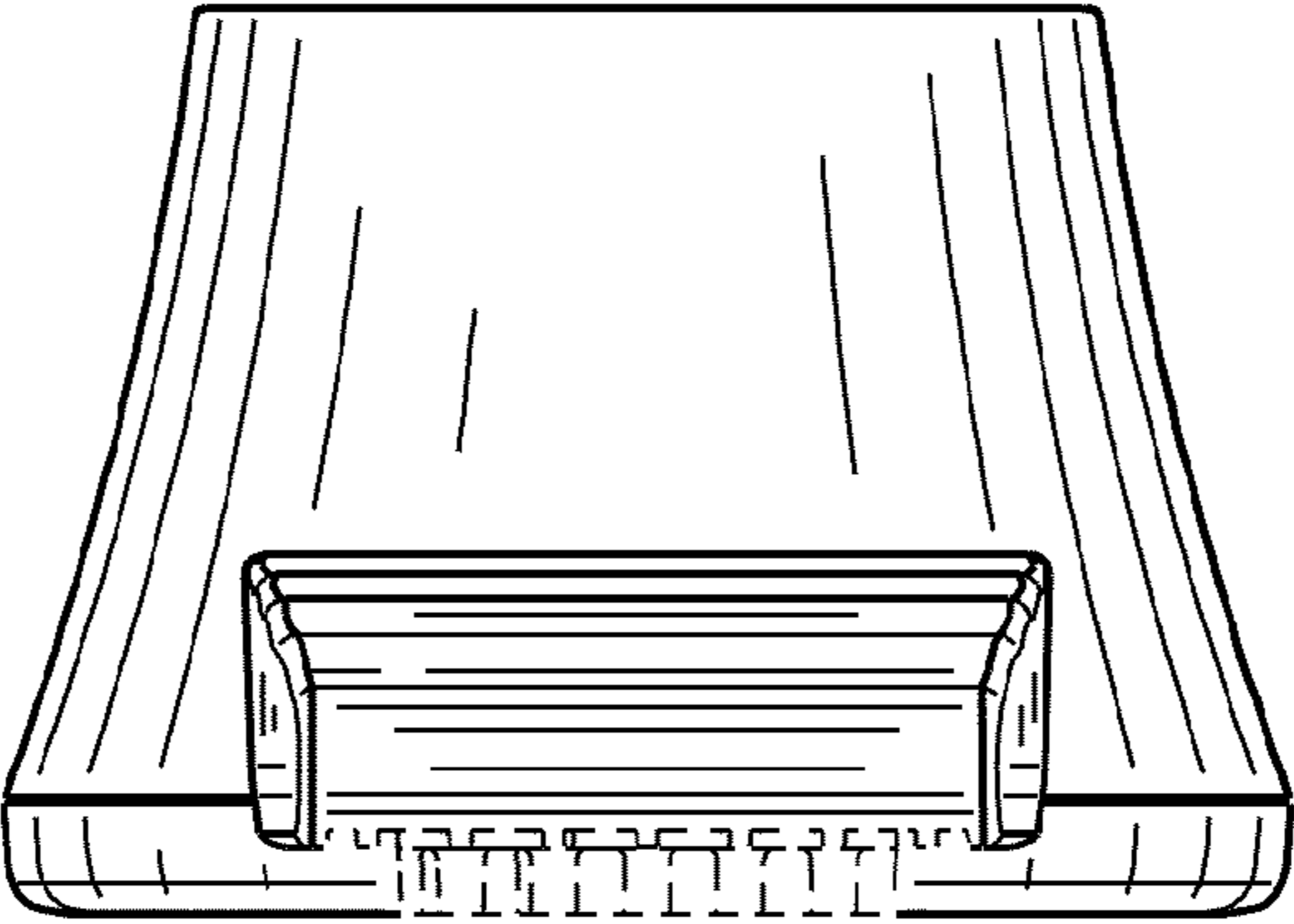


FIG. 4

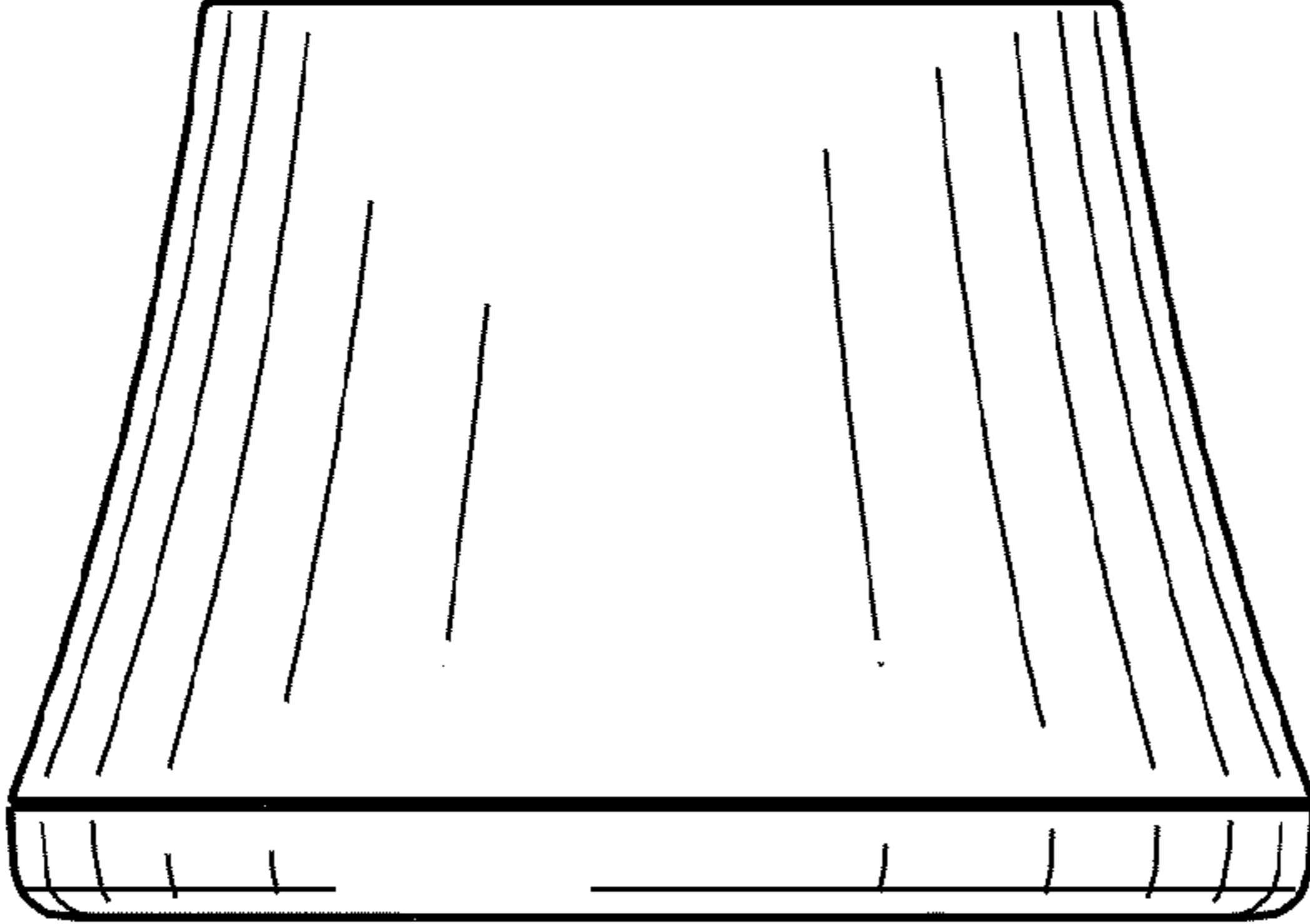
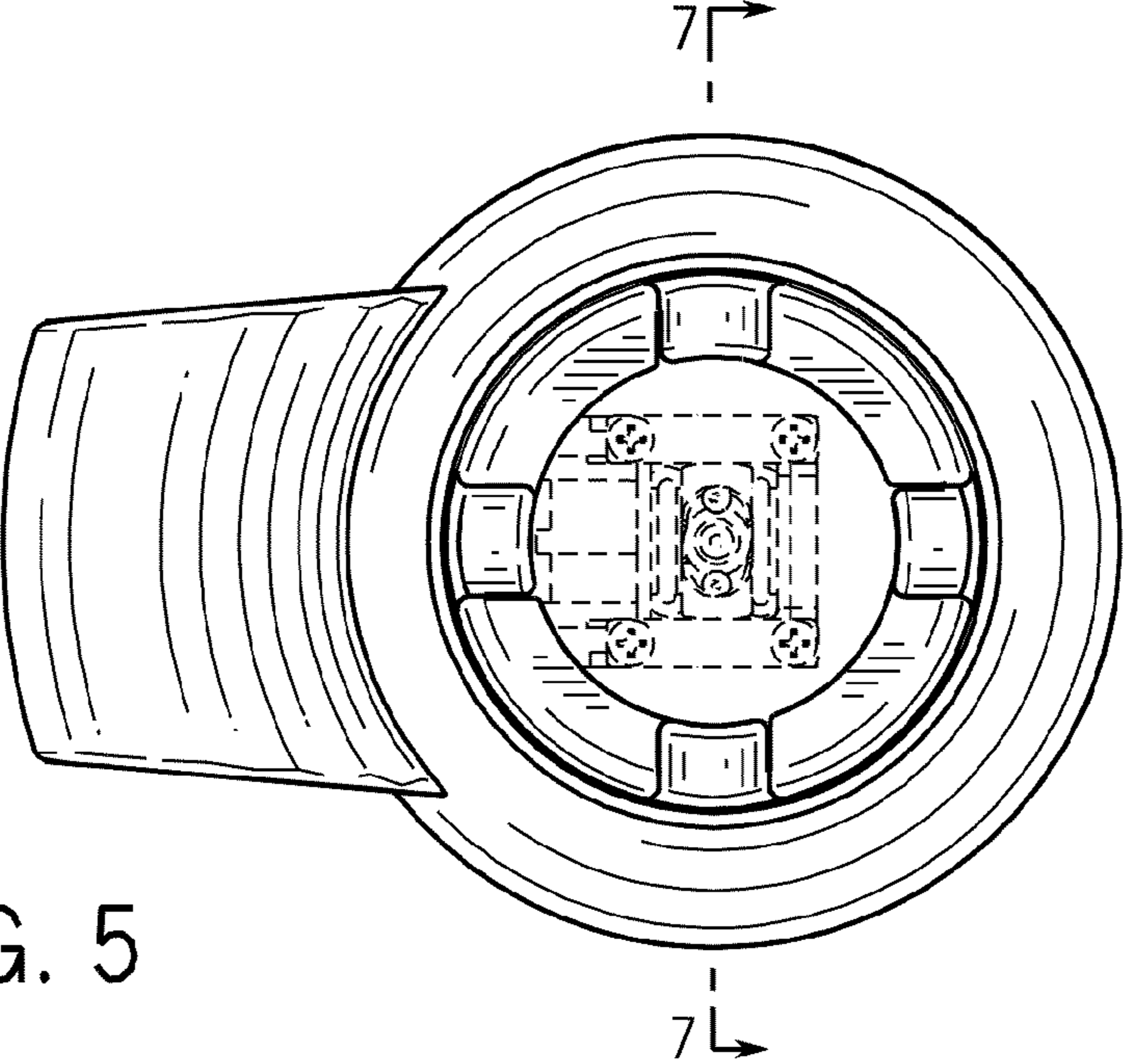


FIG. 5



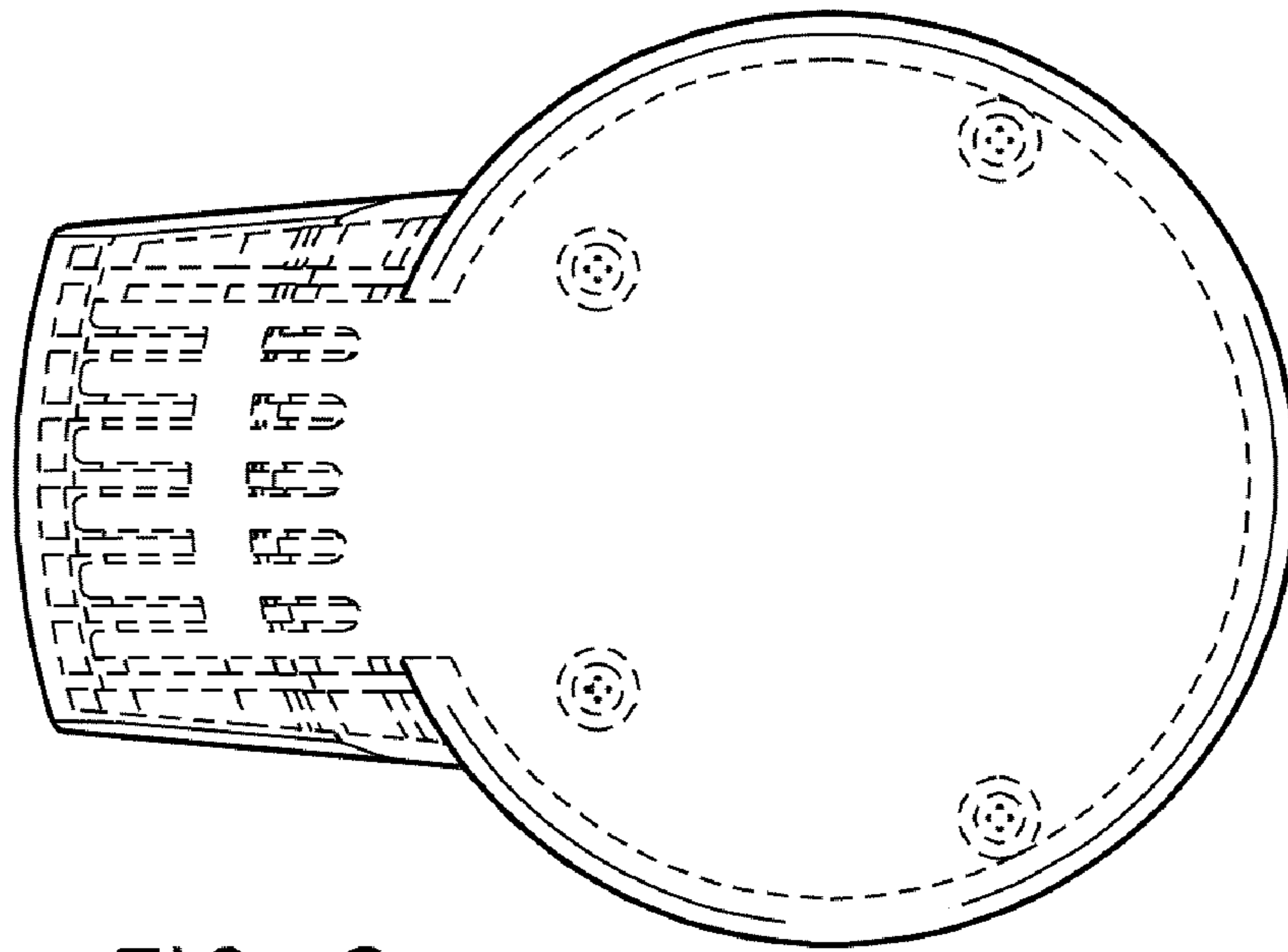


FIG. 6

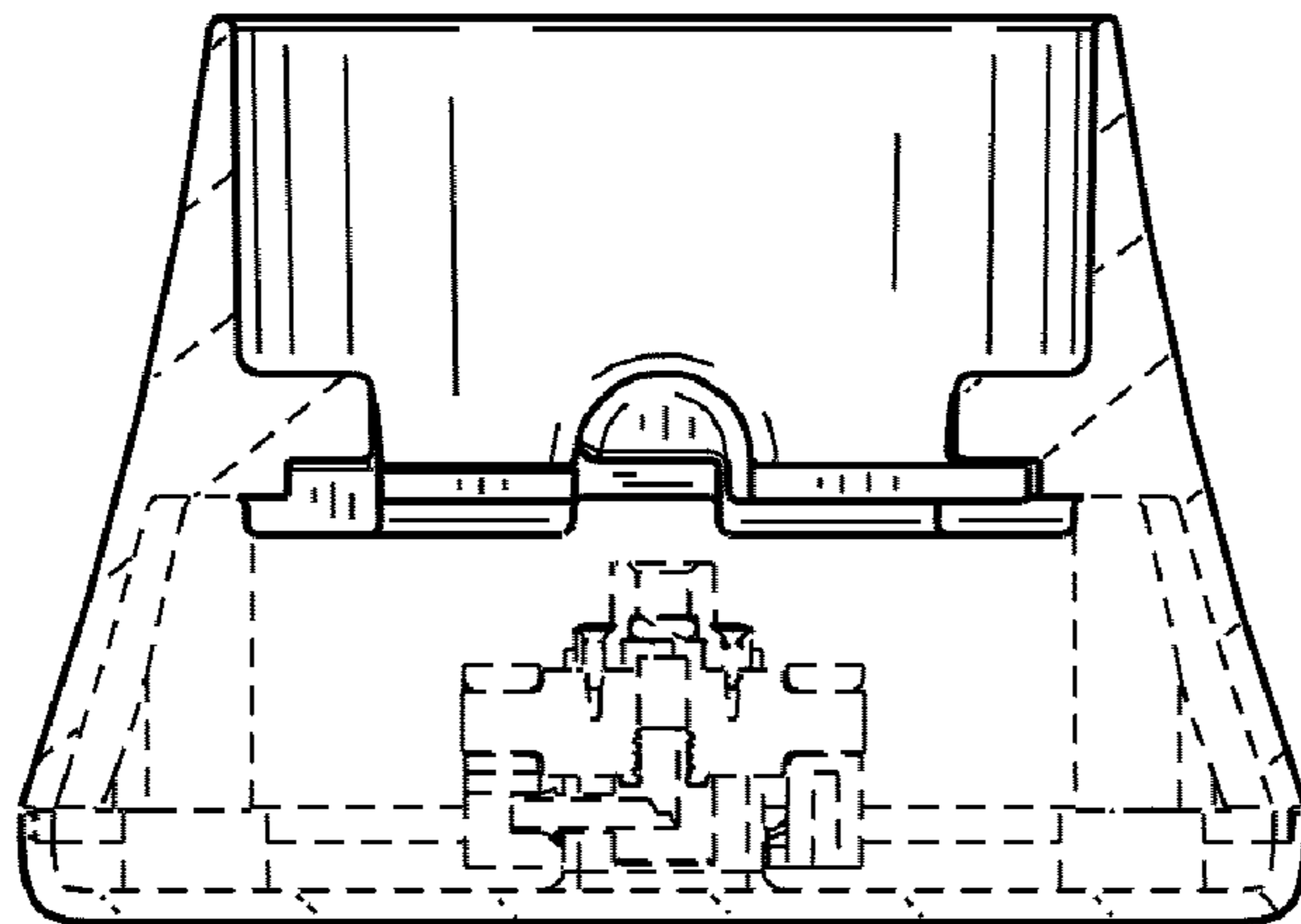


FIG. 7