



US00D649226S

(12) **United States Design Patent**  
**Obara et al.**

(10) **Patent No.:** **US D649,226 S**

(45) **Date of Patent:** **\*\* Nov. 22, 2011**

(54) **HANDLE FOR FAUCET**

*Primary Examiner* — Robert Delehanty

(75) Inventors: **Mitsuya Obara**, Morrow, GA (US); **Lea Mari Mendoza**, Morrow, GA (US); **Hajime Kakihana**, Fukuoka (JP)

(74) *Attorney, Agent, or Firm* — Banner & Witcoff, Ltd

(73) Assignee: **TOTO, Ltd.**, Kitakyushu-shi, Fukuoka (JP)

(57) **CLAIM**

The ornamental design for a handle for faucet, as shown and described.

(\*\*) Term: **14 Years**

(21) Appl. No.: **29/389,471**

**DESCRIPTION**

(22) Filed: **Apr. 12, 2011**

(51) **LOC (9) Cl.** ..... **23-01**

(52) **U.S. Cl.** ..... **D23/252; D23/254**

(58) **Field of Classification Search** ..... D23/250,  
D23/252, 254, 238–243; 4/676–677; 137/801,  
137/359; D8/350–353

See application file for complete search history.

FIG. 1 is a perspective view of front, top plan and right side of a faucet according to our new design;

FIG. 2 is a front view thereof;

FIG. 3 is a rear view thereof;

FIG. 4 is a left side view thereof;

FIG. 5 is a right side view thereof;

FIG. 6 is a top plan view thereof; and,

FIG. 7 is a bottom view thereof.

The portions of the article in broken lines are shown for illustrative purposes only and form no part of the claimed design.

(56) **References Cited**

**U.S. PATENT DOCUMENTS**

D400,651 S \* 11/1998 Hundley et al. .... D23/254

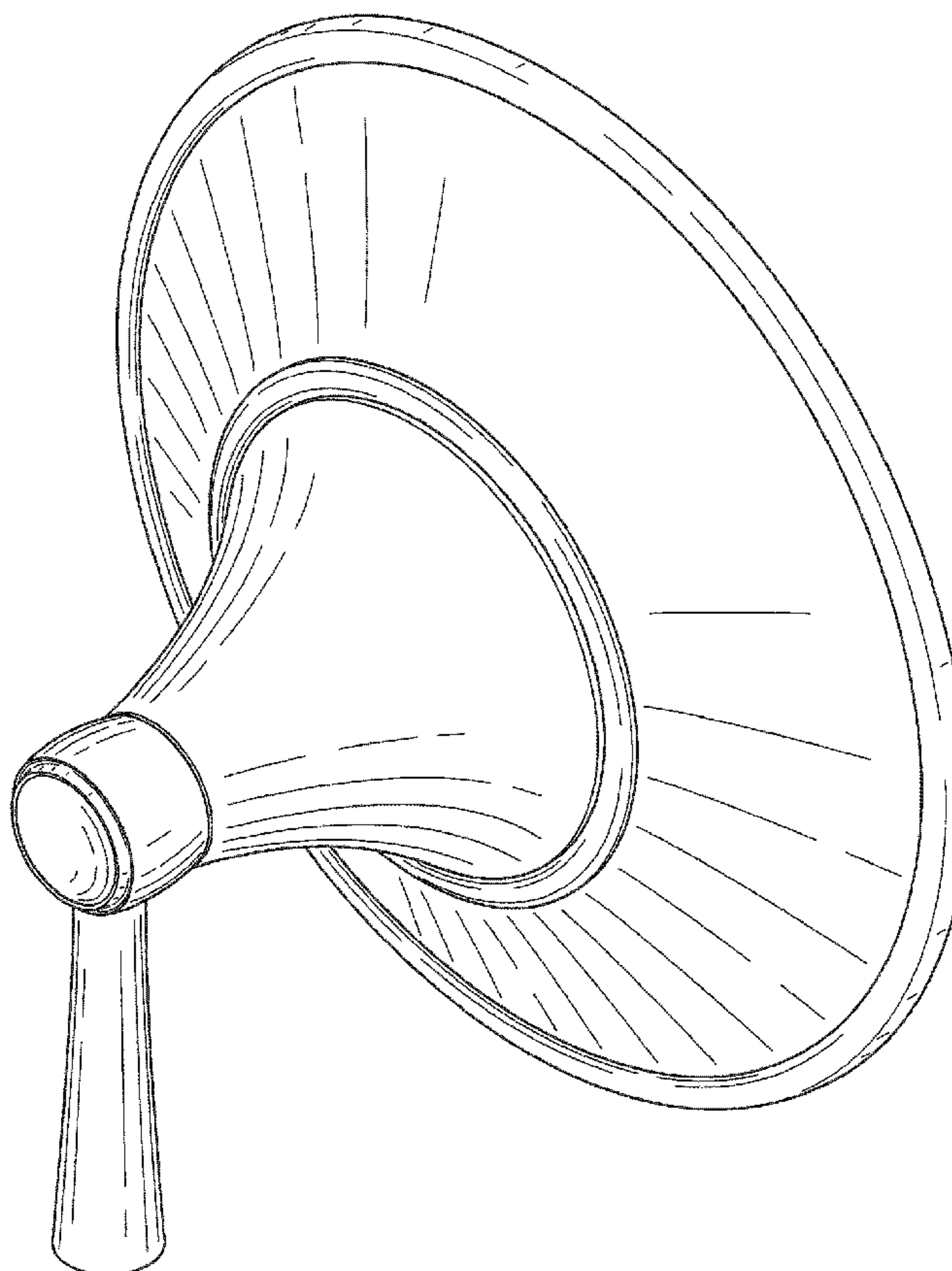
D529,142 S \* 9/2006 Shieh ..... D23/252

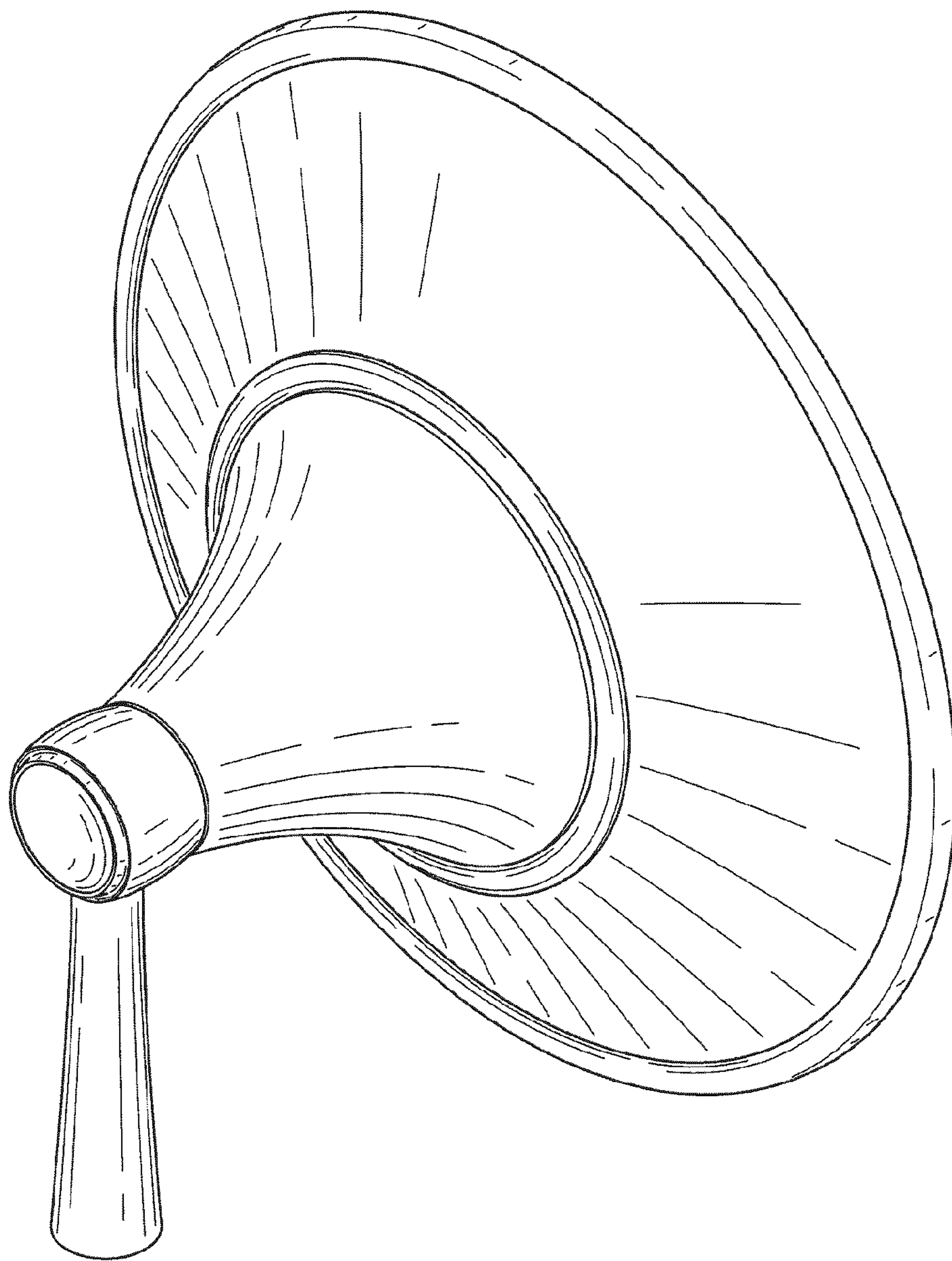
D531,703 S \* 11/2006 Tsai ..... D23/254

D582,012 S \* 12/2008 Chang ..... D23/250

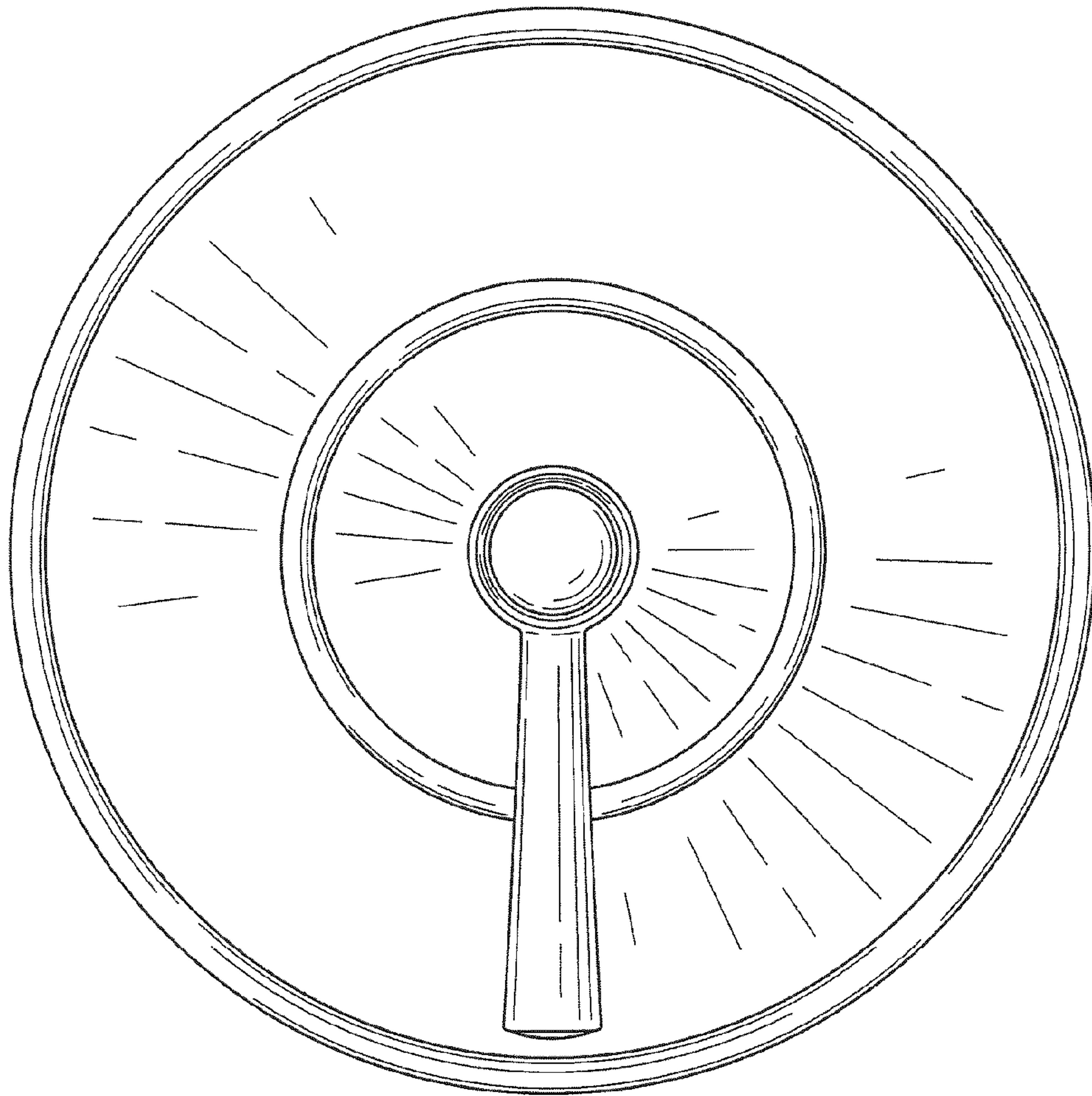
\* cited by examiner

**1 Claim, 6 Drawing Sheets**

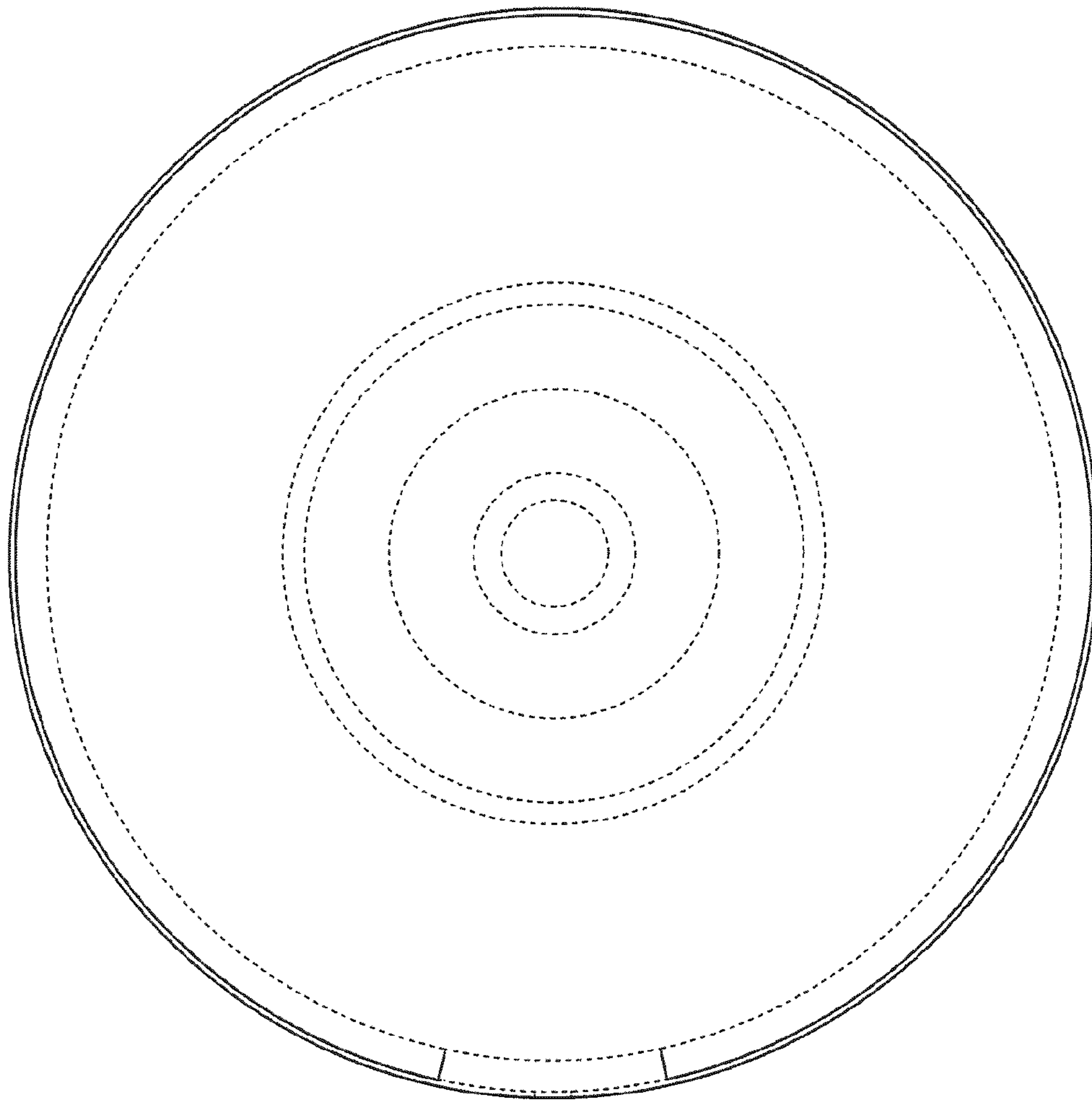




**FIG. 1**

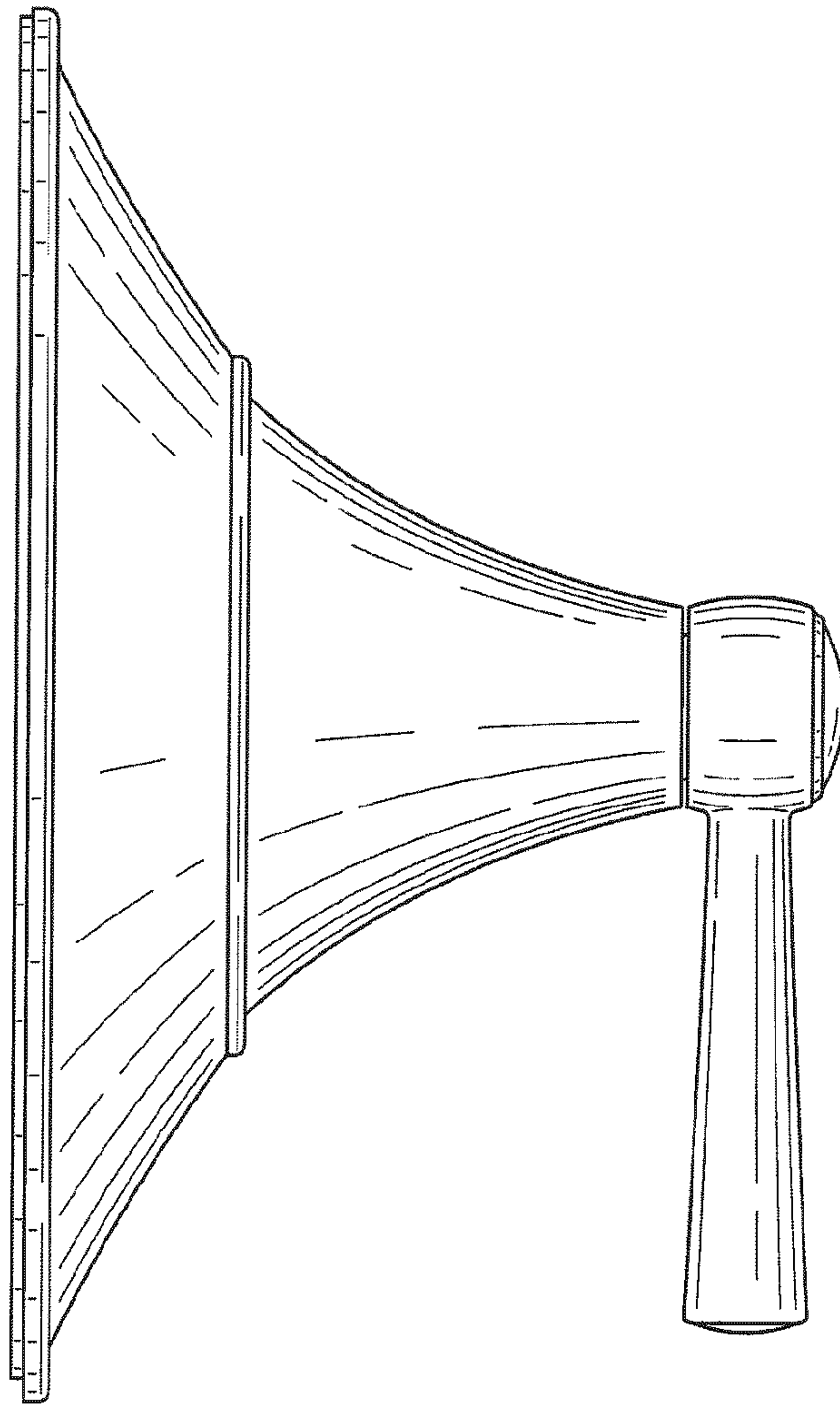


*FIG. 2*

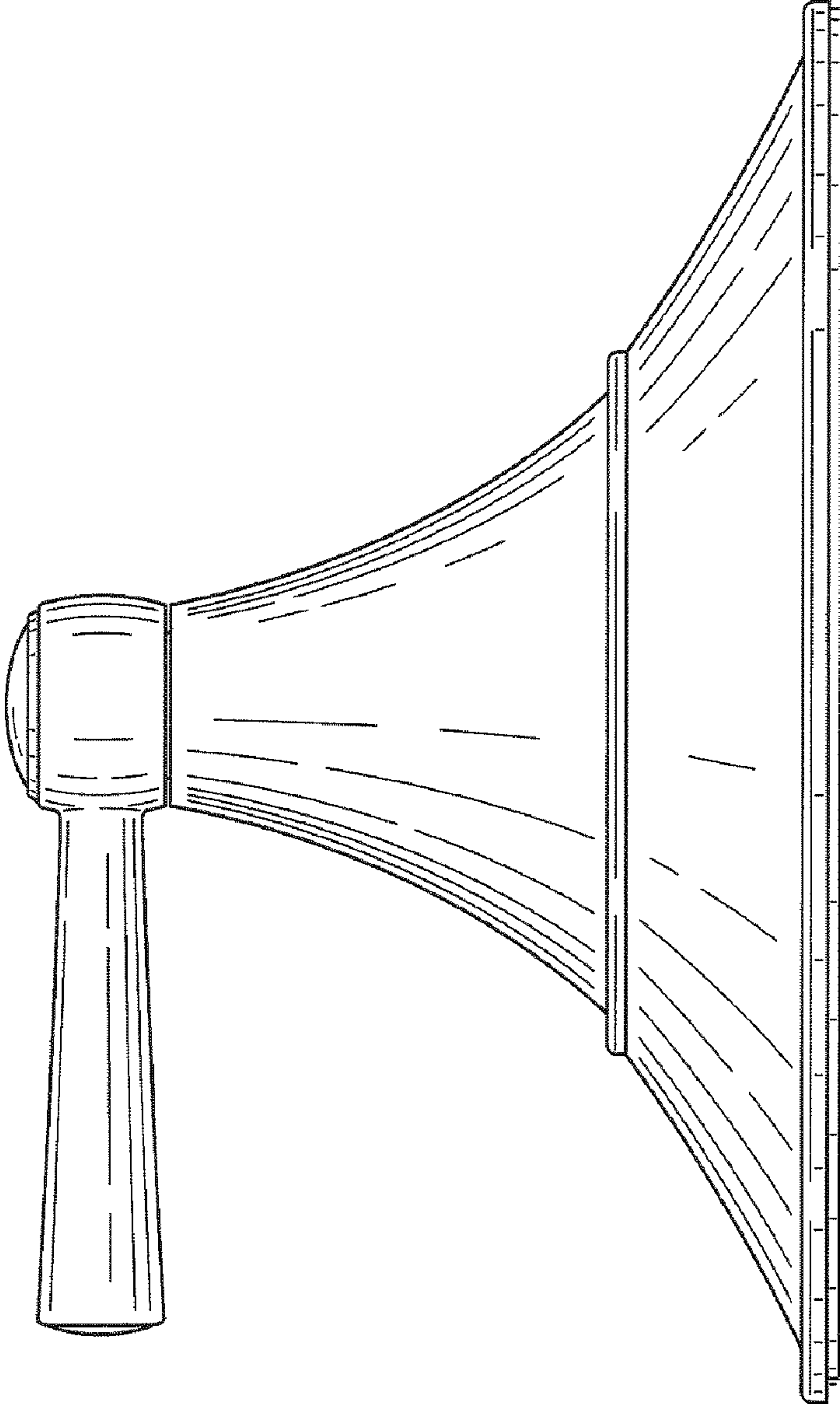


*FIG. 3*

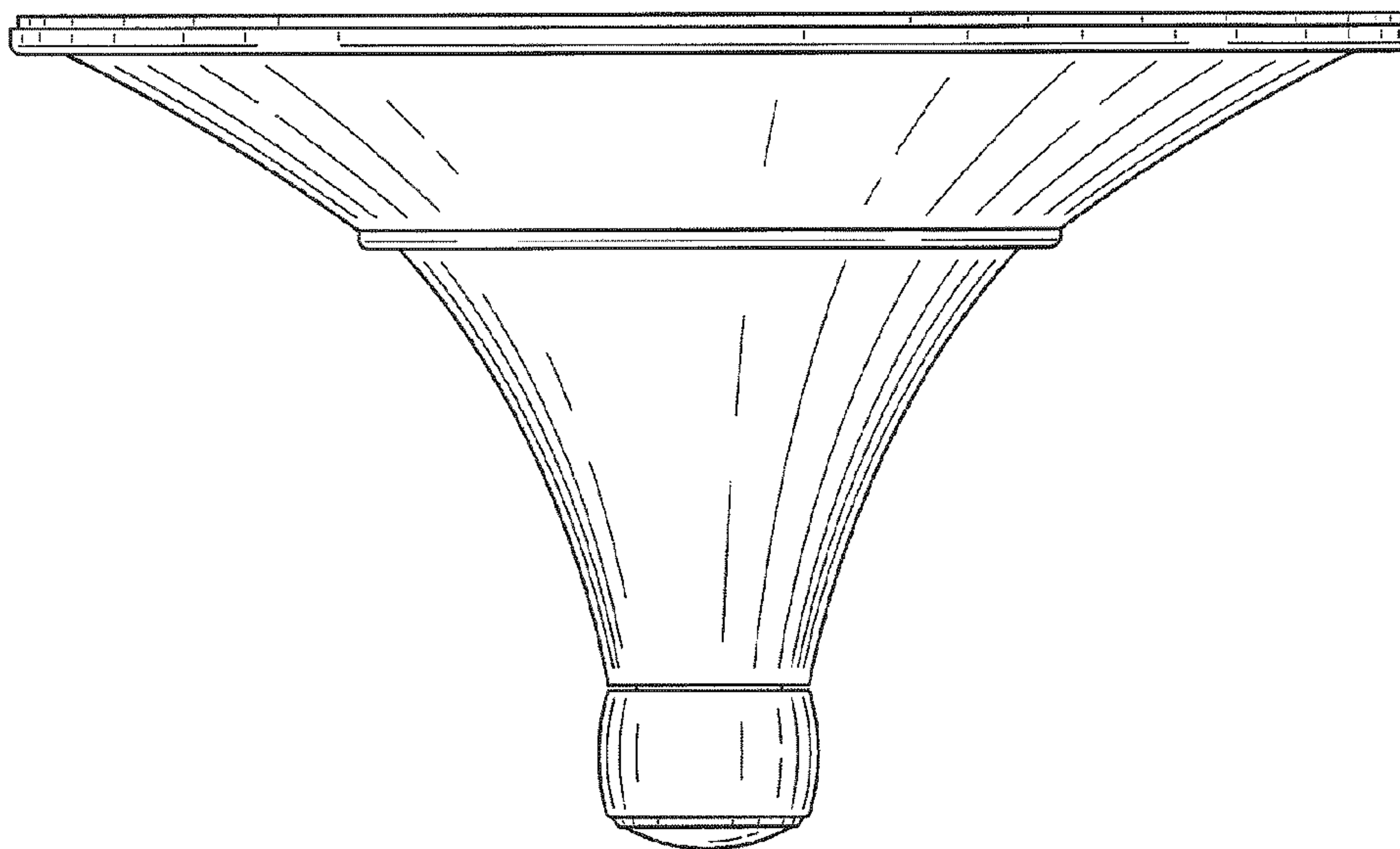




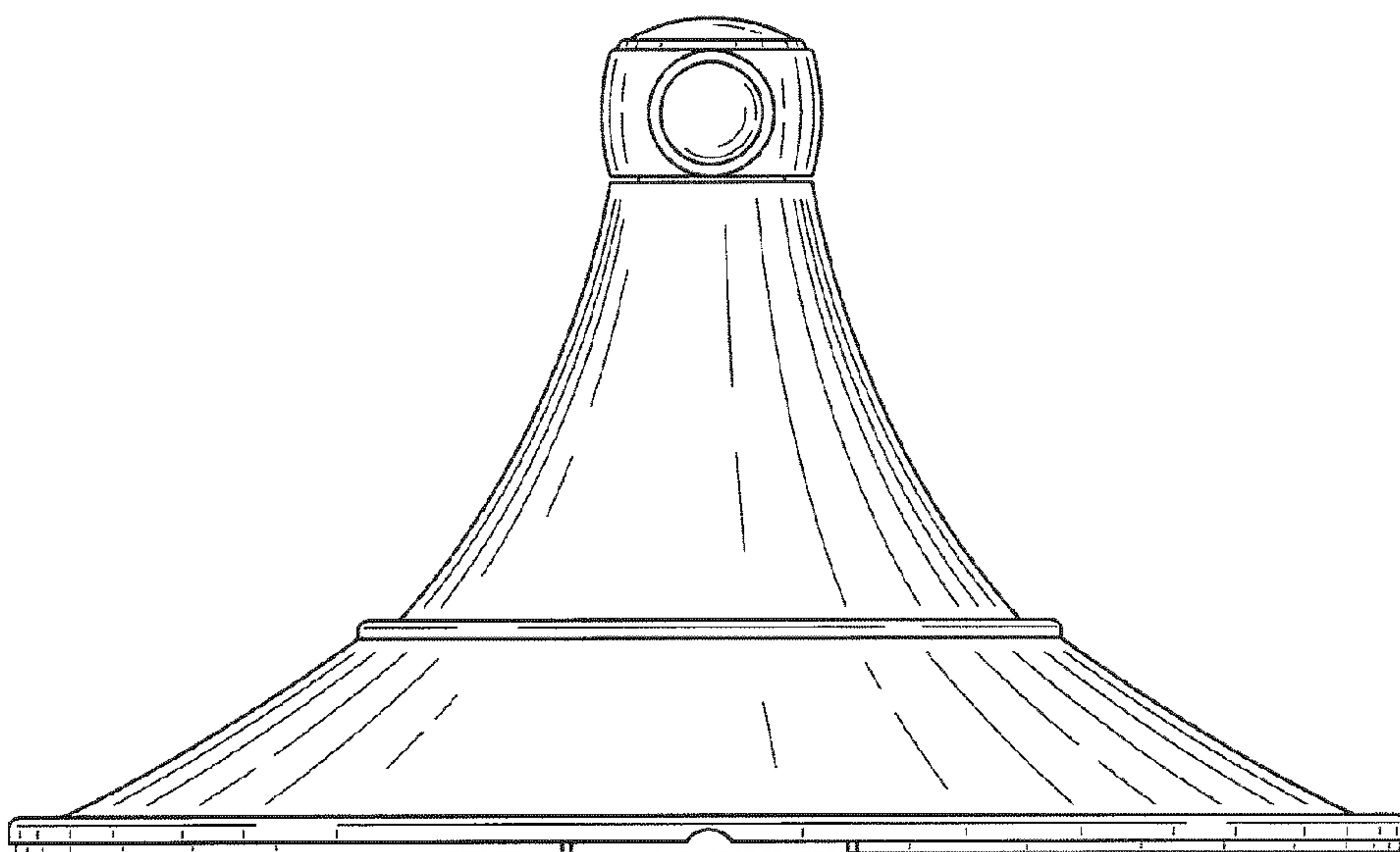
*FIG. 4*



*FIG. 5*



*FIG. 6*



*FIG. 7*

UNITED STATES PATENT AND TRADEMARK OFFICE  
**CERTIFICATE OF CORRECTION**

PATENT NO. : D649,226 S  
APPLICATION NO. : 29/389471  
DATED : November 22, 2011  
INVENTOR(S) : Mitsuya Obara, Lea Mari Mendoza and Hajime Kakihana

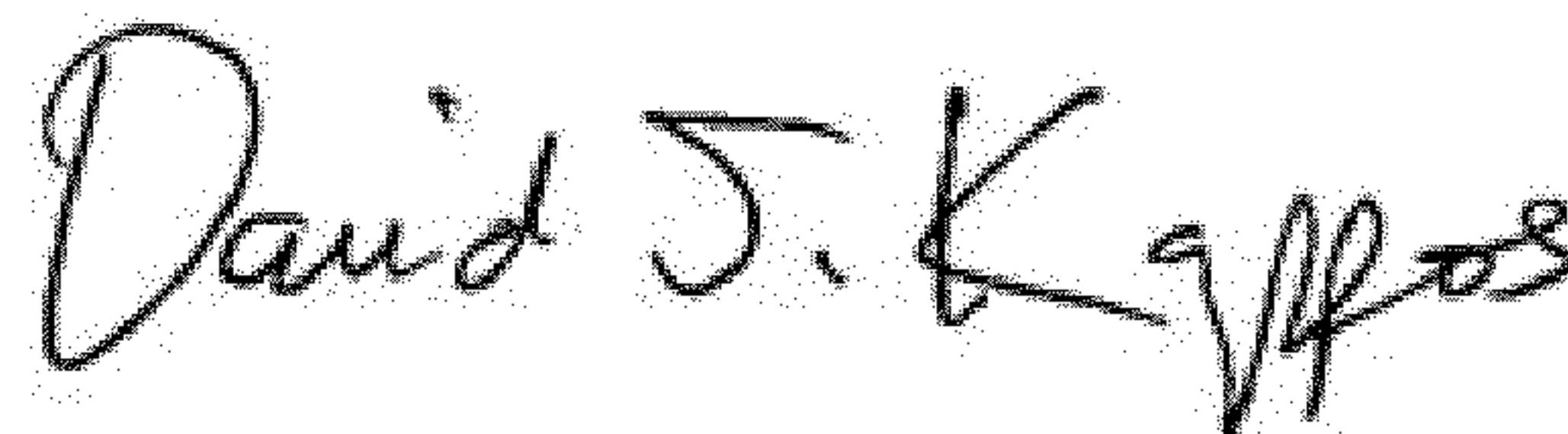
Page 1 of 1

It is certified that error appears in the above-identified patent and that said Letters Patent is hereby corrected as shown below:

On Title page 1, in the DESCRIPTION section, please amend the sentence starting at line one as follows:

Fig. 1 is a perspective view of the front, top, and right side of a handle for faucet according to our new design;

Signed and Sealed this  
Third Day of April, 2012

A handwritten signature in black ink that reads "David J. Kappos". The signature is written in a cursive, slightly slanted style.

David J. Kappos  
*Director of the United States Patent and Trademark Office*