



US00D649224S

(12) **United States Design Patent**  
**McKeone**

(10) **Patent No.:** **US D649,224 S**

(45) **Date of Patent:** **\*\* Nov. 22, 2011**

(54) **FAUCET**

(75) Inventor: **William C. McKeone**, Sheboygan, WI  
(US)

(73) Assignee: **Kohler Co.**, Kohler, WI (US)

(\*\*) Term: **14 Years**

(21) Appl. No.: **29/376,996**

(22) Filed: **Oct. 15, 2010**

(30) **Foreign Application Priority Data**

Apr. 15, 2010 (EM) ..... 001208771

(51) **LOC (9) Cl.** ..... **02-01**

(52) **U.S. Cl.** ..... **D23/238**

(58) **Field of Classification Search** ..... D23/238-243,  
D23/250, 255; 4/675-678; 137/801  
See application file for complete search history.

(56) **References Cited**

**U.S. PATENT DOCUMENTS**

D478,371 S \* 8/2003 Ouyoung ..... D23/238  
D530,786 S \* 10/2006 Gilbert ..... D23/238

D577,421 S \* 9/2008 Williams ..... D23/238  
D594,091 S \* 6/2009 Schoenherr et al. .... D23/238  
D602,122 S \* 10/2009 Corbett ..... D23/238

\* cited by examiner

*Primary Examiner* — Robert Delehanty

(74) *Attorney, Agent, or Firm* — Foley & Lardner LLP

(57) **CLAIM**

The ornamental design for a faucet, as shown and described.

**DESCRIPTION**

FIG. 1 is a top, right, front perspective view of a faucet embodying the new design;  
FIG. 2 is a right side view thereof;  
FIG. 3 is a left side view thereof;  
FIG. 4 is a front elevational view thereof;  
FIG. 5 is a rear elevational view thereof;  
FIG. 6 is a top plan view thereof; and,  
FIG. 7 is bottom plan view thereof.  
The broken line representations of nozzle environment in FIGS. 4 and 7, and the bottom surface in FIG. 7 are for the purpose of illustration only, and form no part of the claimed design.

**1 Claim, 4 Drawing Sheets**

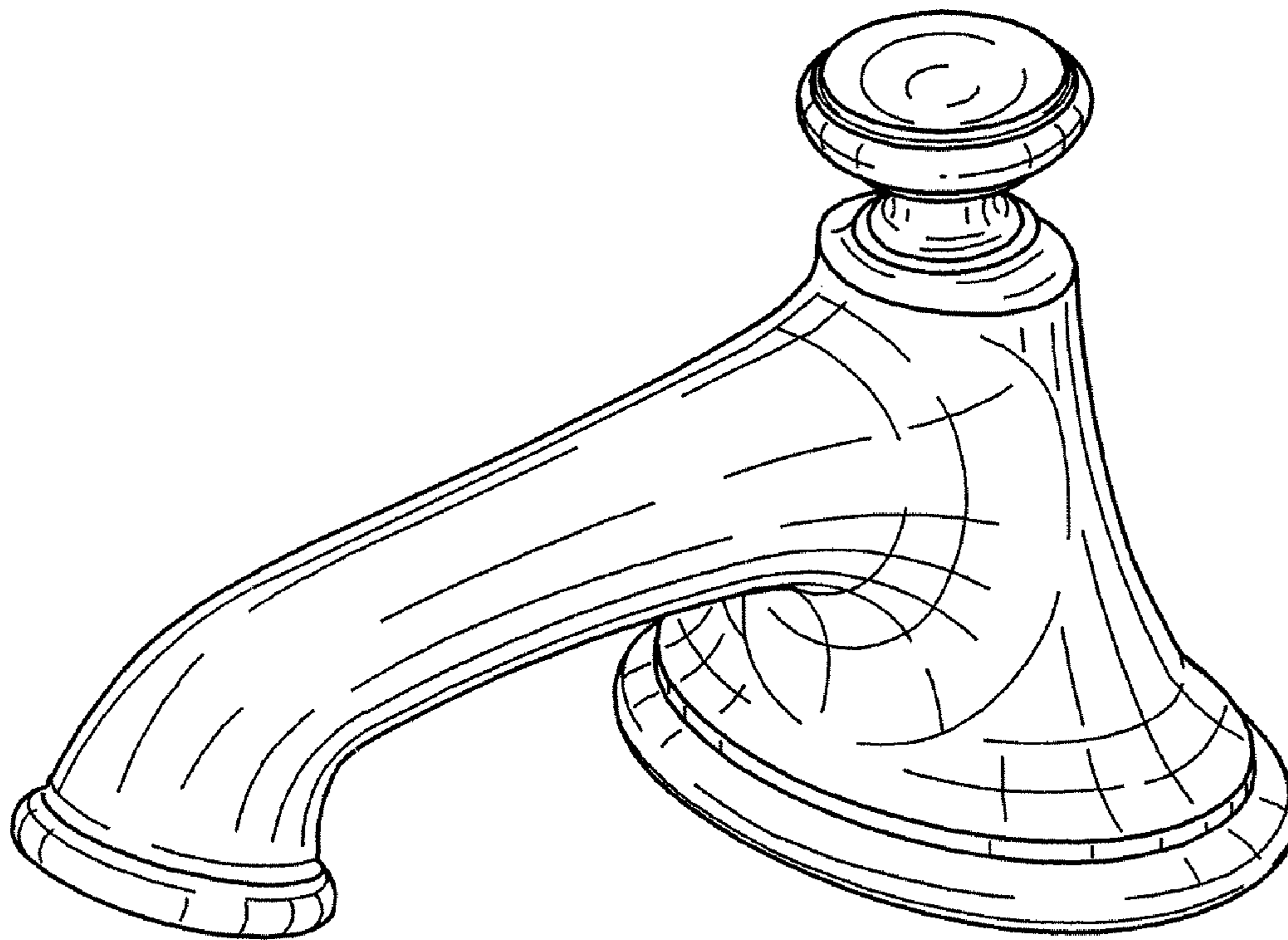


FIG. 1

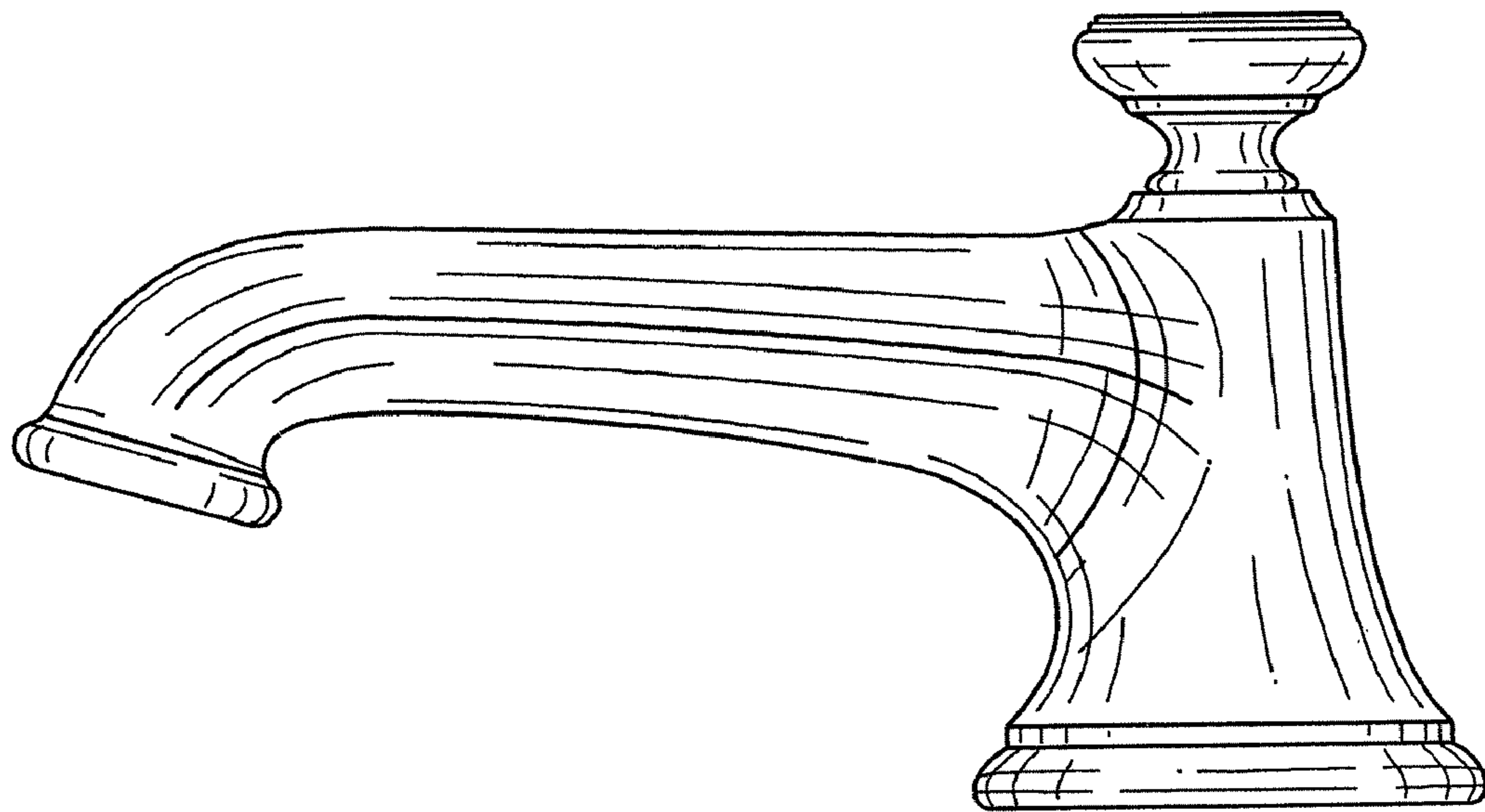
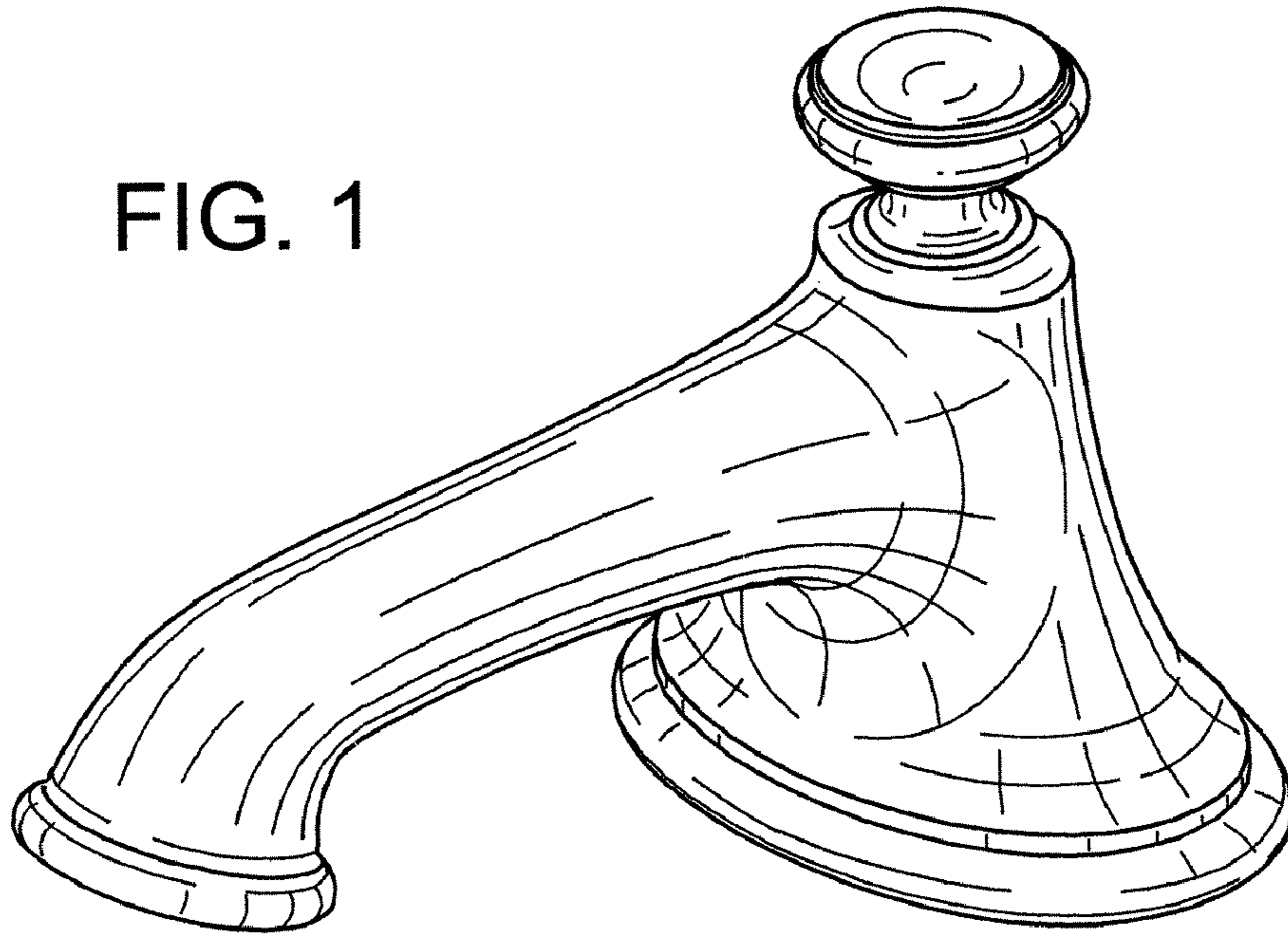


FIG. 2

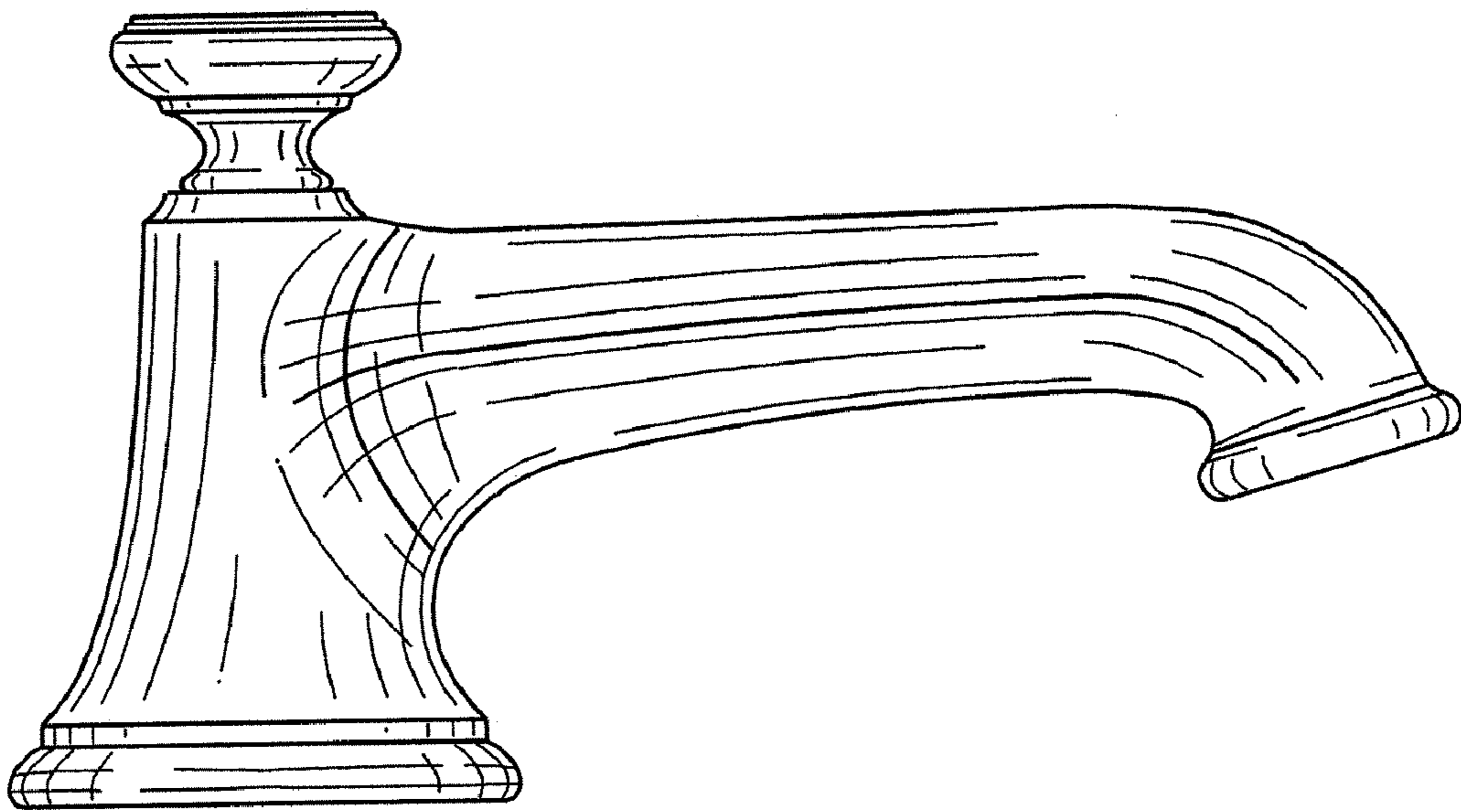


FIG. 3

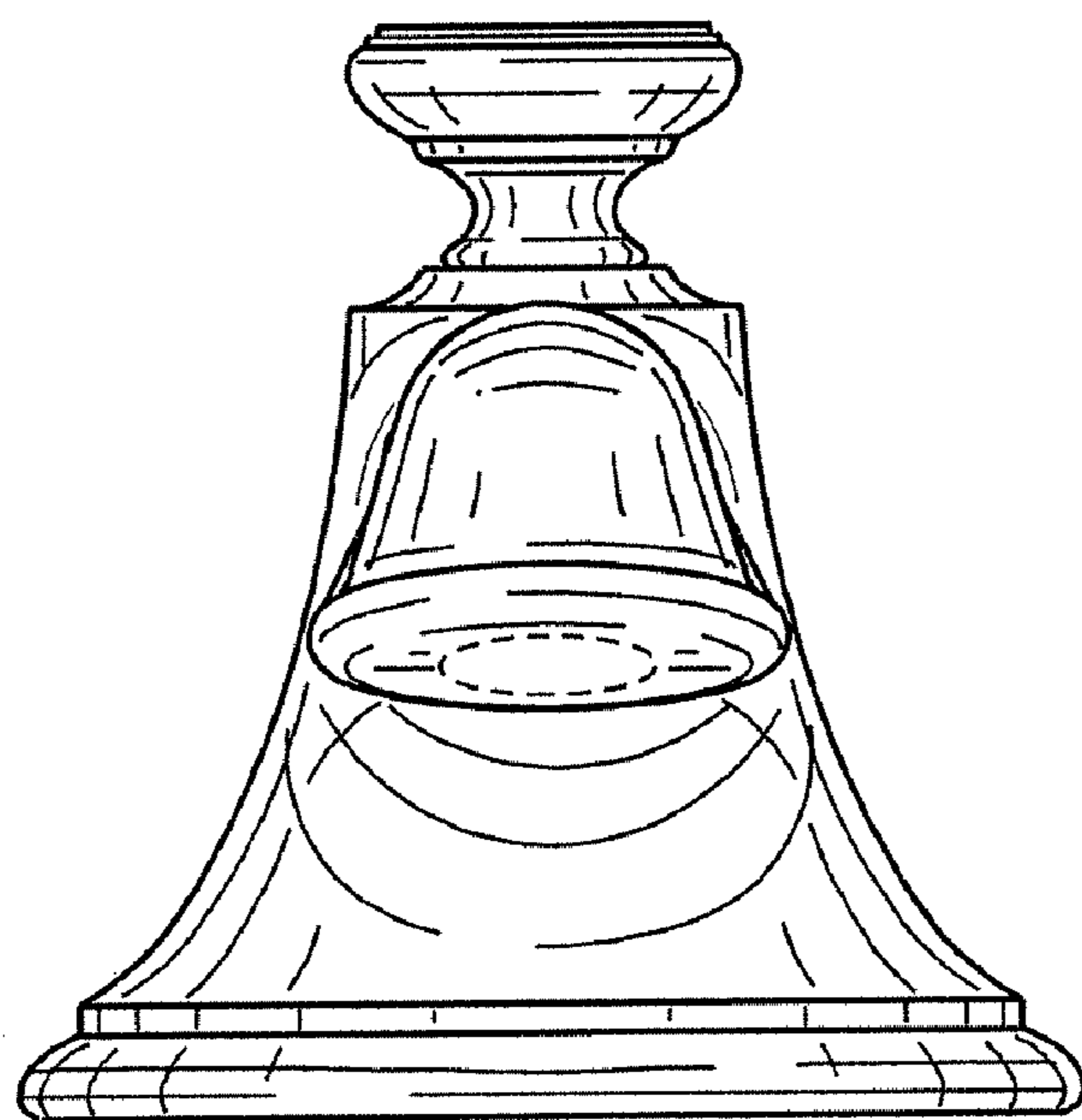


FIG. 4

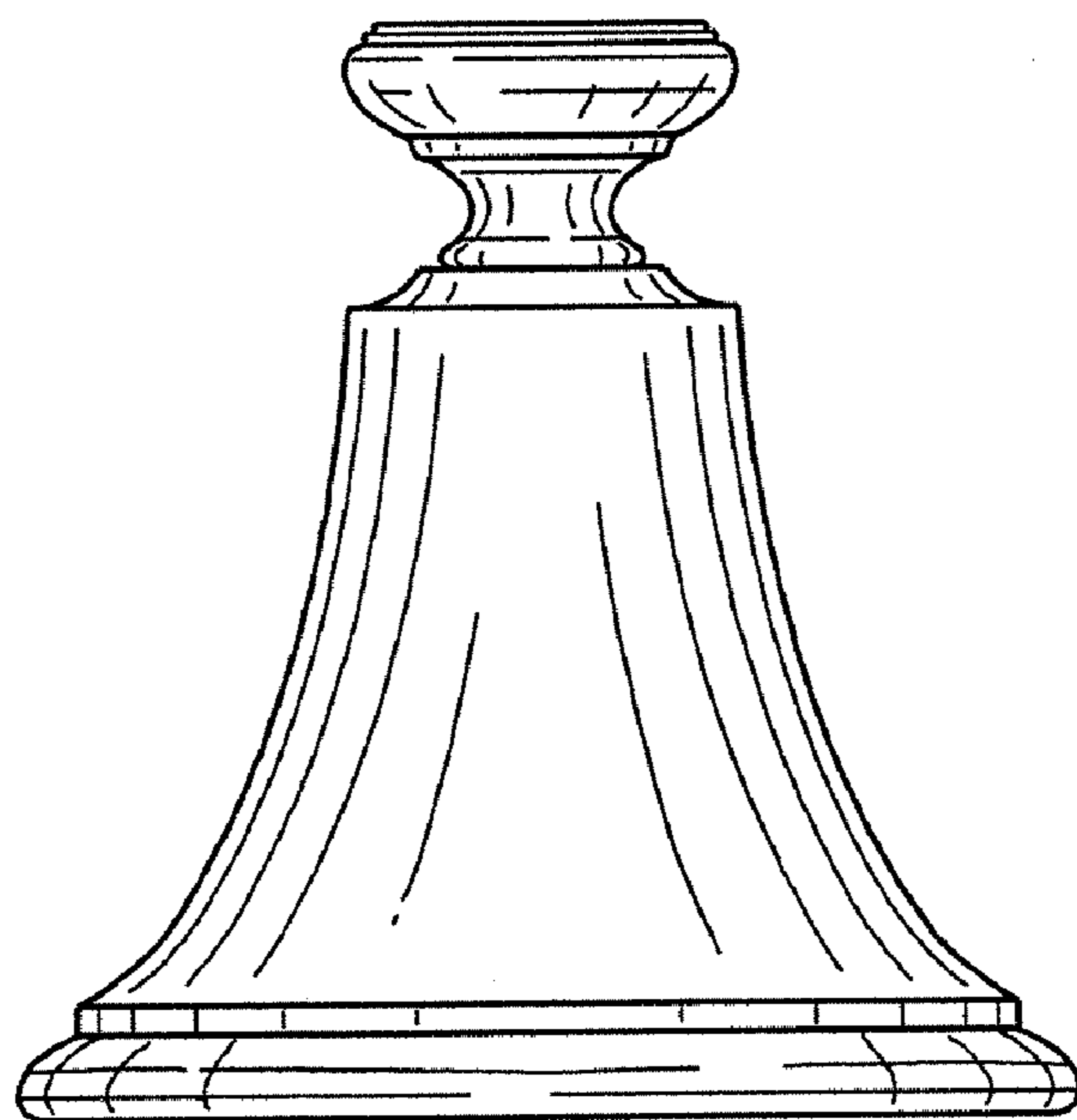


FIG. 5

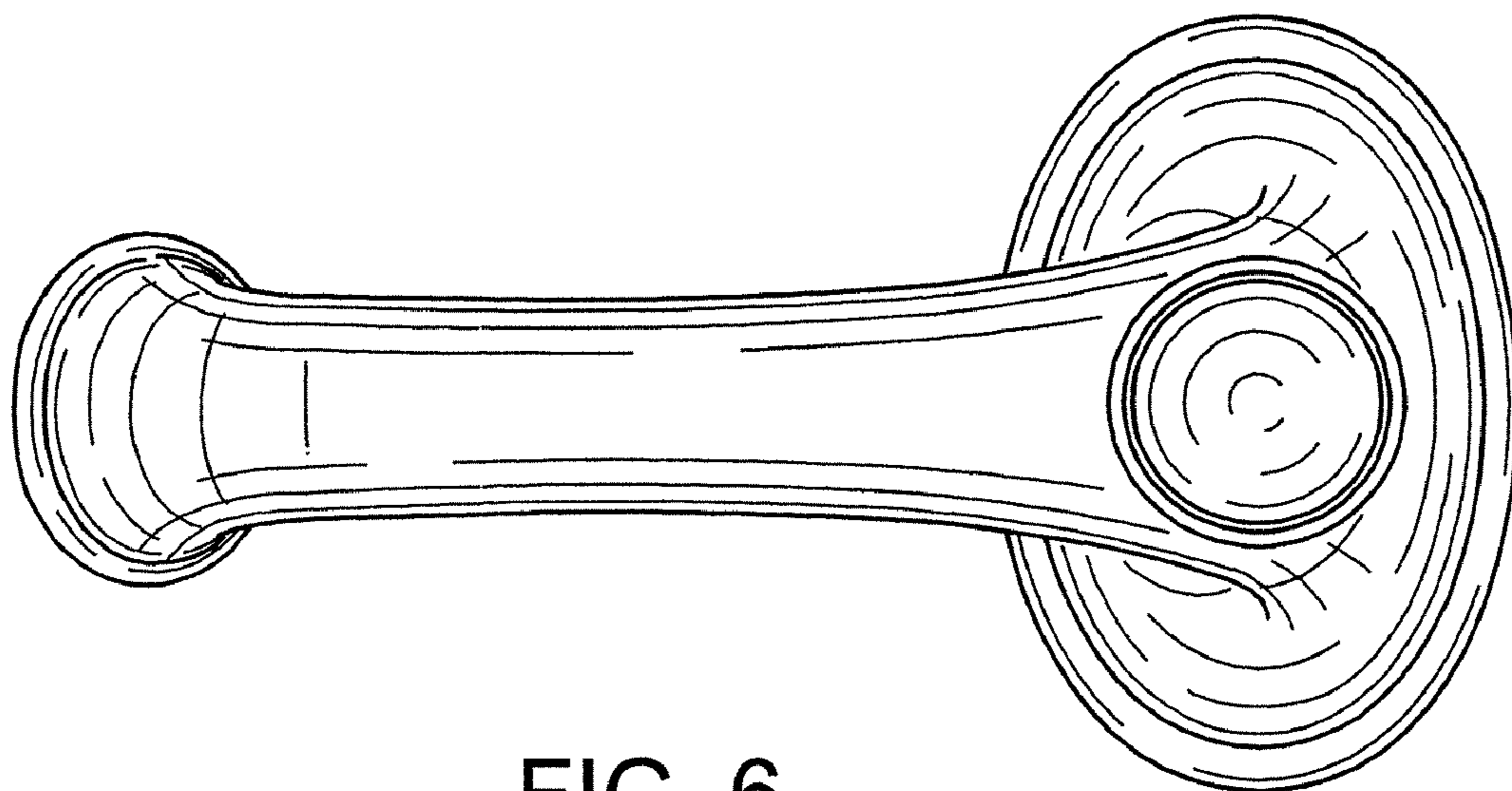


FIG. 6

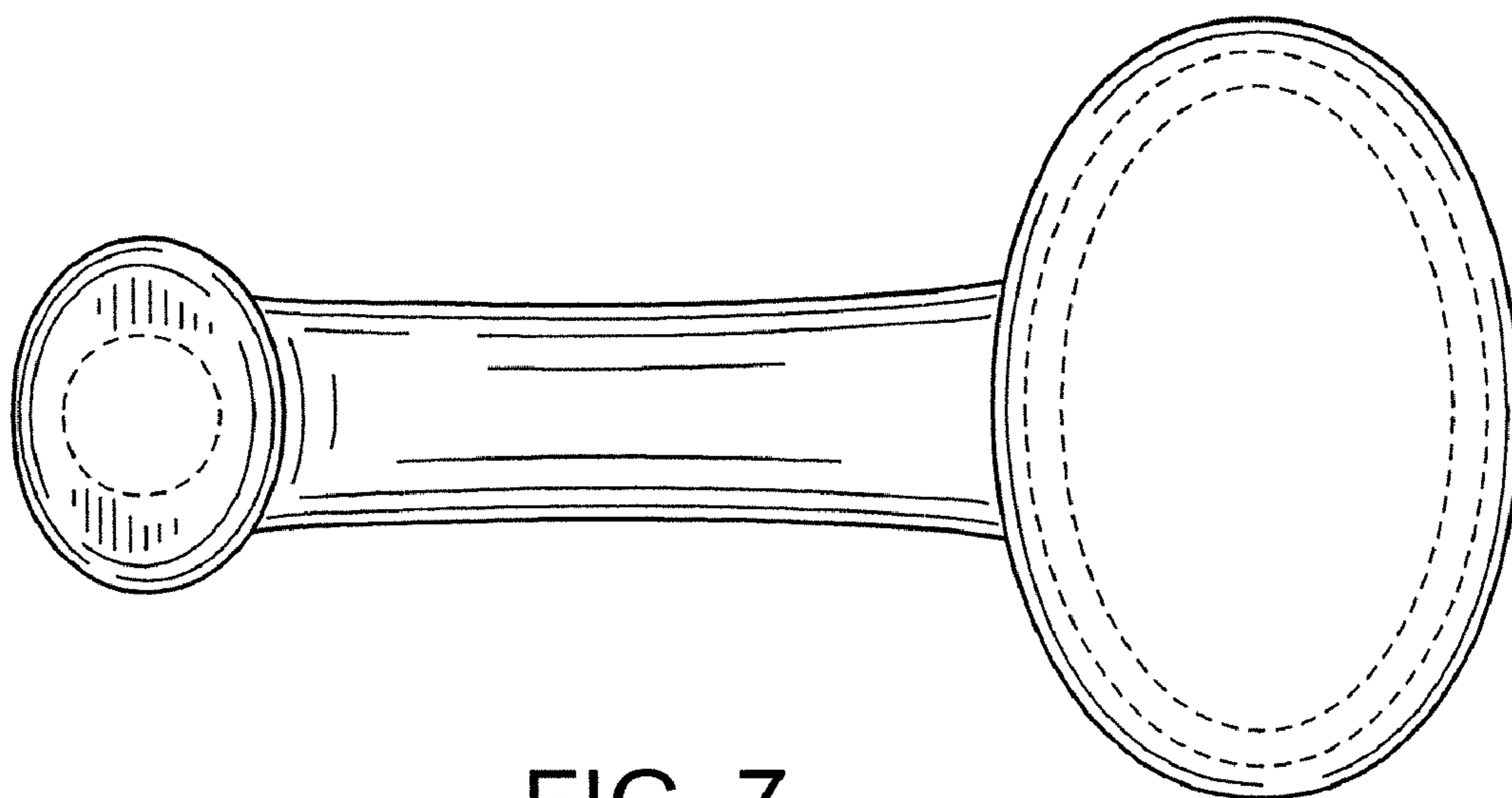


FIG. 7