

US00D649223S

(12) **United States Design Patent**
Lobermeier et al.

(10) **Patent No.:** **US D649,223 S**
(45) **Date of Patent:** **** Nov. 22, 2011**

(54) **SINK MIXER**

(75) Inventors: **Hans Lobermeier**, Menden (DE); **Paul Flowers**, Duesseldorf (DE)

(73) Assignee: **Grohe AG**, Hemer (DE)

(**) Term: **14 Years**

(21) Appl. No.: **29/375,925**

(22) Filed: **Sep. 29, 2010**

(30) **Foreign Application Priority Data**

Mar. 29, 2010 (EM) 001687799-0004

(51) **LOC (9) Cl.** **23-02**

(52) **U.S. Cl.** **D23/238**

(58) **Field of Classification Search** D23/238,
D23/241-243, 250, 252, 255, 257; 4/676-678;
137/801

See application file for complete search history.

(56) **References Cited**

U.S. PATENT DOCUMENTS

D438,288 S * 2/2001 Mark et al. D23/242
D528,188 S * 9/2006 Lammel et al. D23/238
D624,988 S * 10/2010 Lammel et al. D23/238

FOREIGN PATENT DOCUMENTS

EM 000958657-0015 2/2009

* cited by examiner

Primary Examiner — Robert Delehanty

(74) *Attorney, Agent, or Firm* — Muncy, Geissler, Olds & Lowe, PLLC

(57) **CLAIM**

The ornamental design for a sink mixer, as shown and described.

DESCRIPTION

FIG. 1 is a perspective view of a sink mixer according to the invention.

FIG. 2 is a left side elevational view of the sink mixer of FIG. 1.

FIG. 3 is a right side elevational view of the sink mixer of FIG. 1.

FIG. 4 is a front elevational view of the sink mixer of FIG. 1.

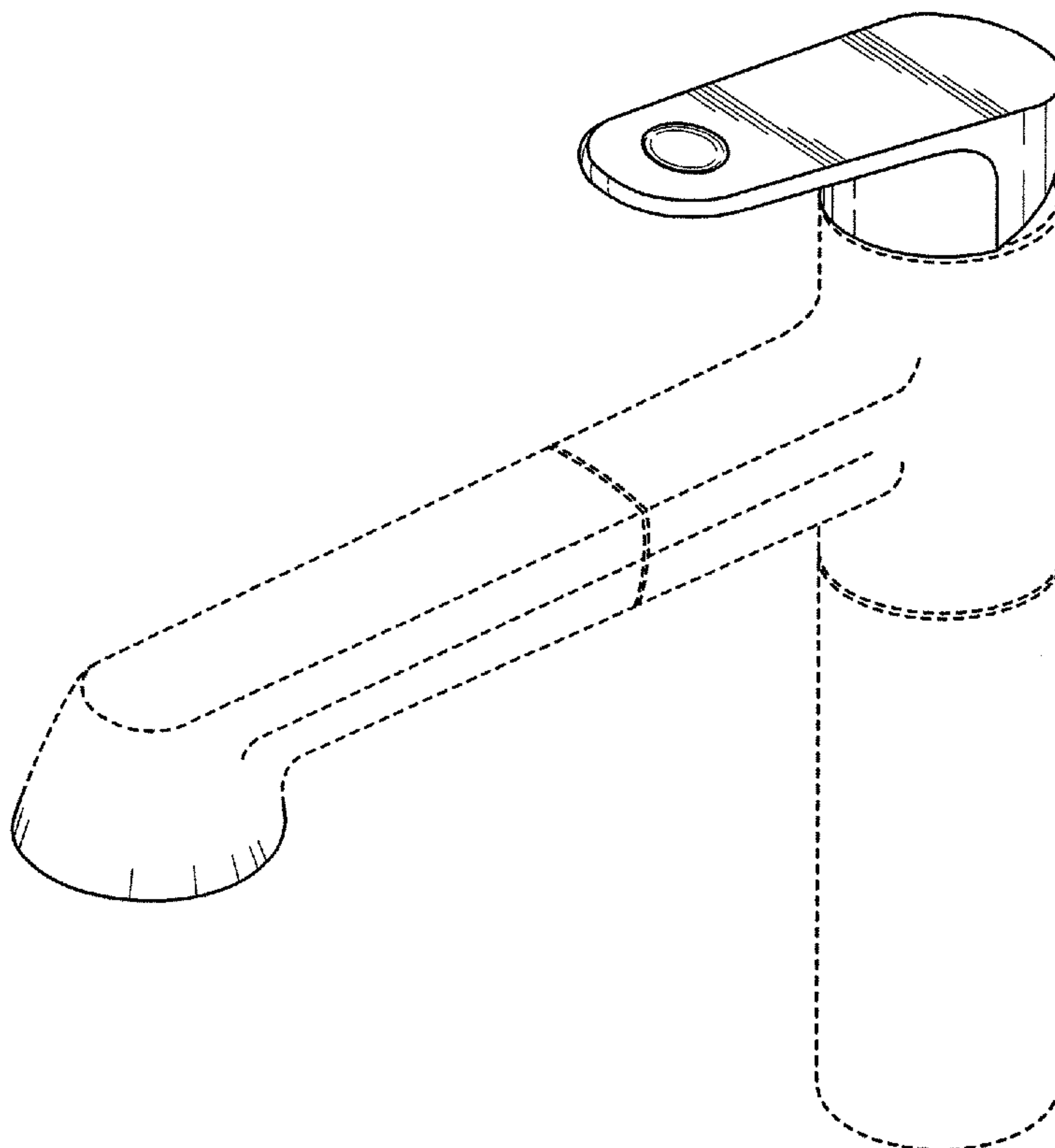
FIG. 5 is a rear elevational view of the sink mixer of FIG. 1.

FIG. 6 is a top plan view of the sink mixer of FIG. 1; and,

FIG. 7 is a bottom plan view of the sink mixer of FIG. 1.

The broken lines which define the bounds of the claimed design form no part thereof.

1 Claim, 6 Drawing Sheets



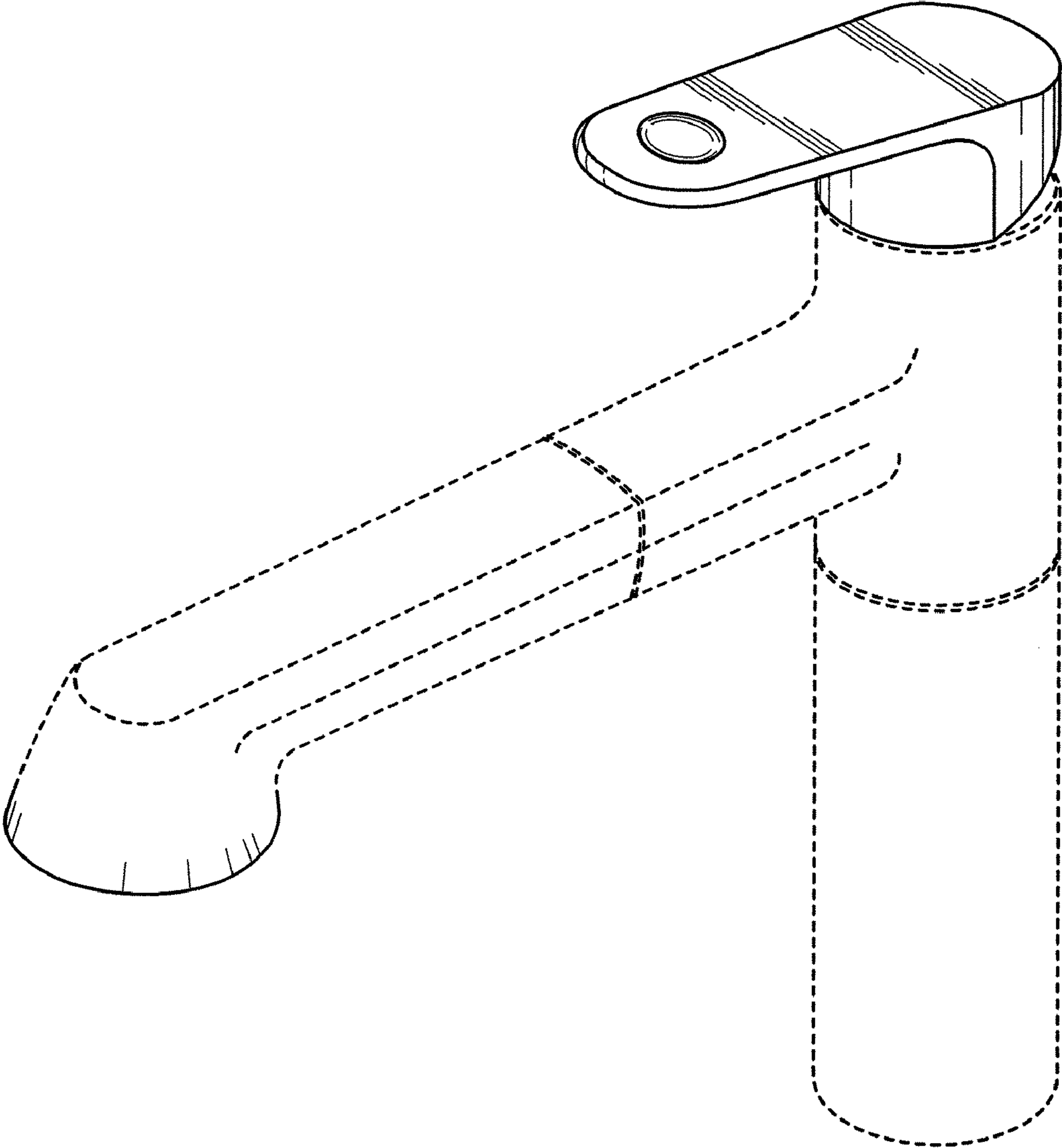


FIG. 1

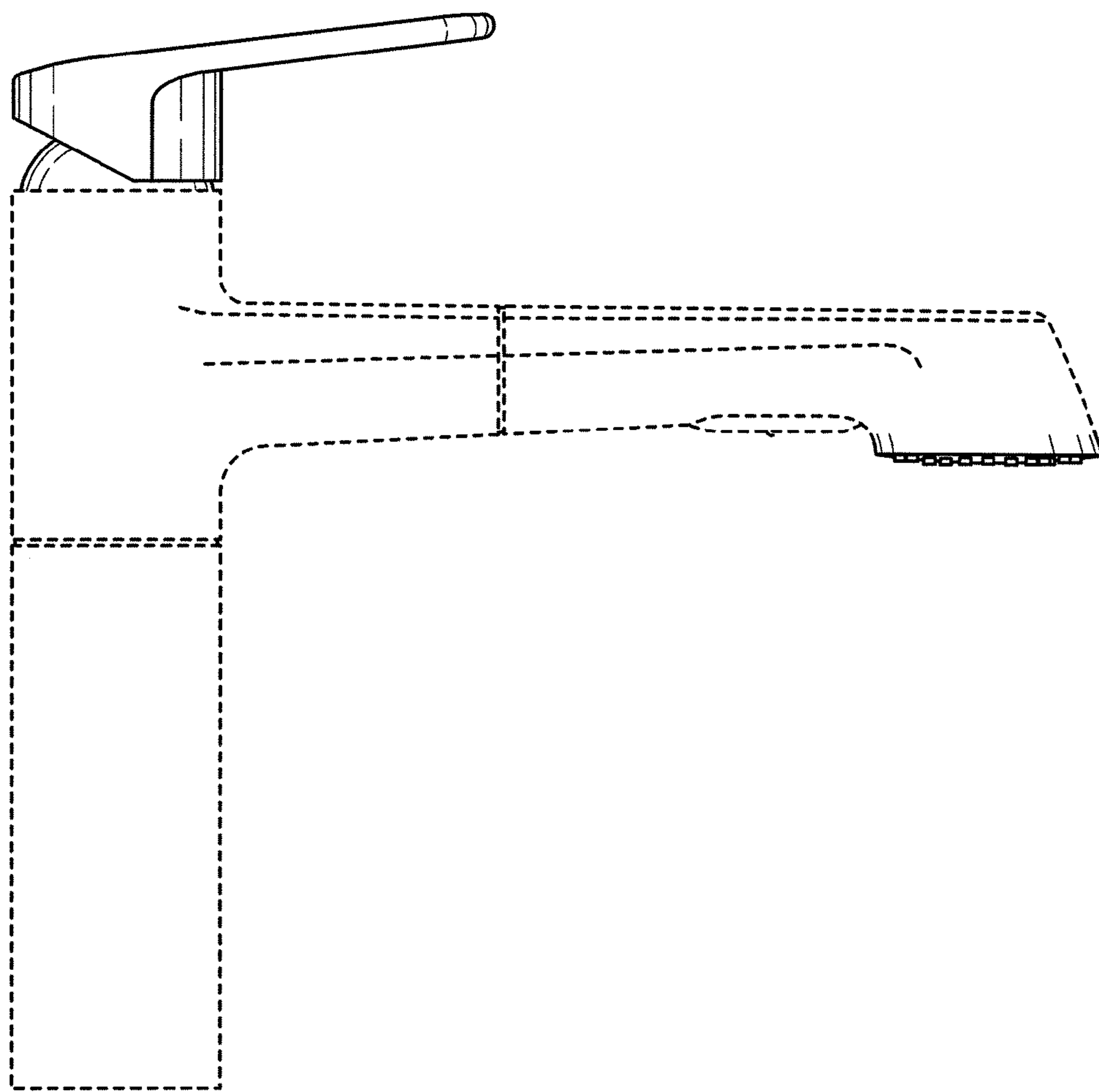


FIG. 2

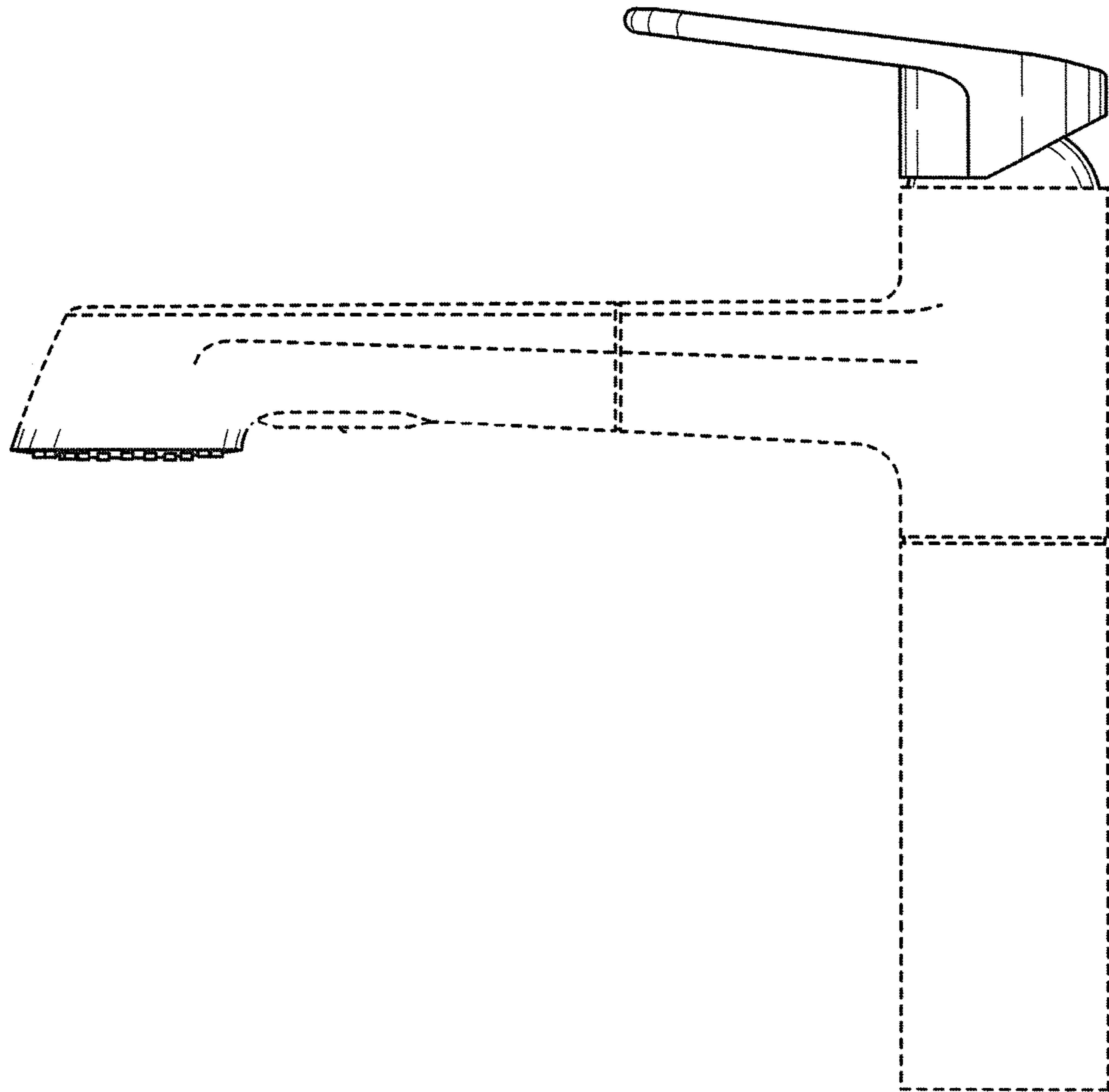


FIG. 3

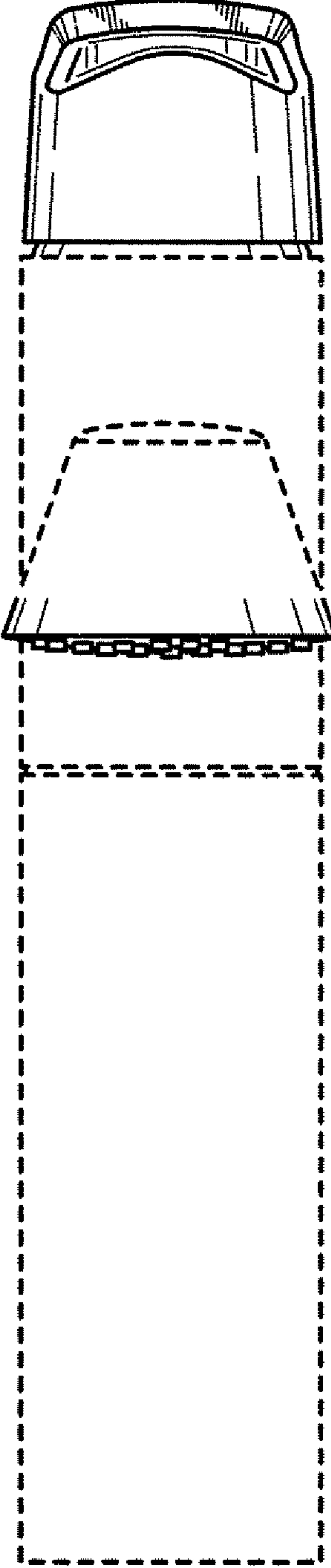


FIG. 4

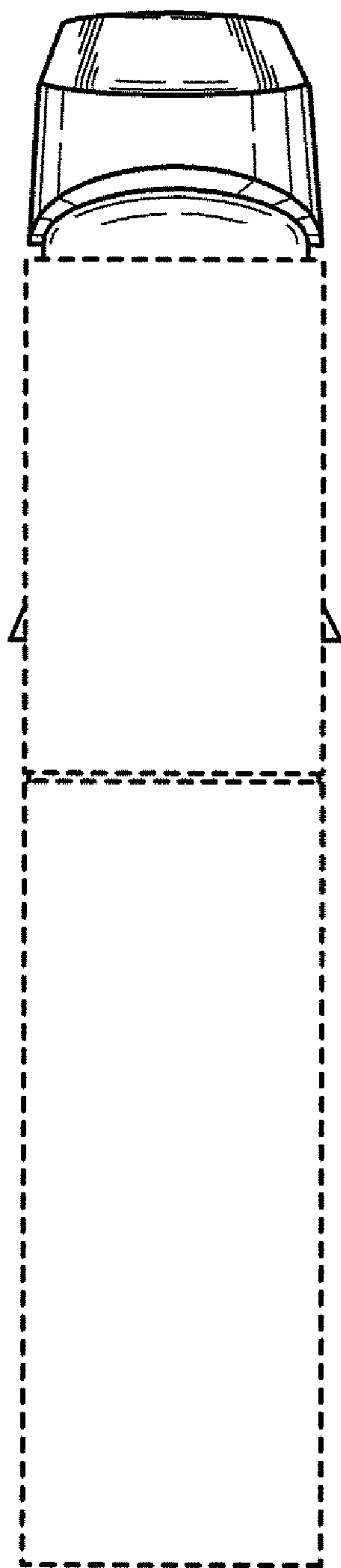


FIG. 5

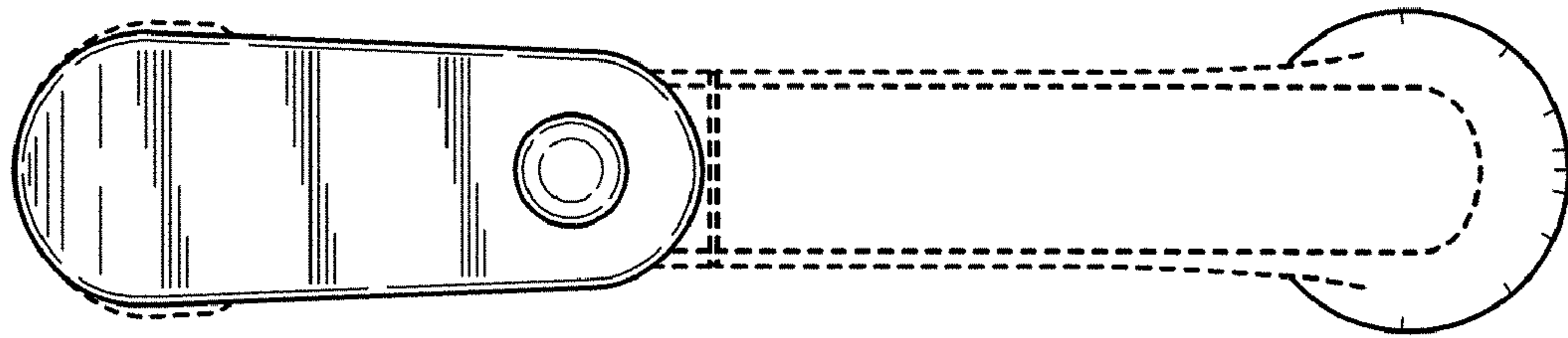


FIG. 6

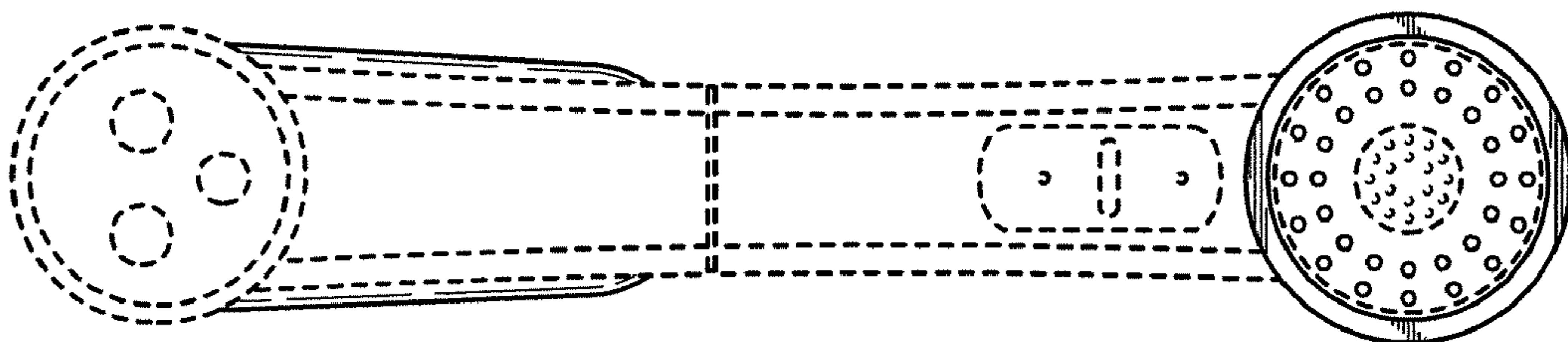


FIG. 7