



US00D649218S

(12) **United States Design Patent**
Saunders

(10) **Patent No.:** **US D649,218 S**

(45) **Date of Patent:** **** Nov. 22, 2011**

(54) **SLIDE ON GRIP FOR A FISHING ROD**

(76) Inventor: **Mick B. Saunders**, Plainwell, MI (US)

(**) Term: **14 Years**

(21) Appl. No.: **29/372,834**

(22) Filed: **Jan. 19, 2011**

(51) **LOC (9) Cl.** **22-05**

(52) **U.S. Cl.** **D22/142**

(58) **Field of Classification Search** D22/137-142,
D22/134; D3/12; 43/18.1, 19-22; D8/300,
D8/303, 305, 310, 313; D7/664

See application file for complete search history.

(56) **References Cited**

U.S. PATENT DOCUMENTS

D273,690 S *	5/1984	Ohmura	D22/142
5,551,184 A	9/1996	Grosse		
D466,581 S *	12/2002	DeSorcy	D22/142
D472,297 S *	3/2003	Hashimoto	D22/142

D607,532 S *	1/2010	Tsutsumi et al.	D22/142
D613,366 S *	4/2010	Lin	D22/142
D623,262 S *	9/2010	Kress et al.	D22/142

* cited by examiner

Primary Examiner — Catheri Oliver

(74) *Attorney, Agent, or Firm* — Flynn, Thiel, Boutell & Tanis, P.C.

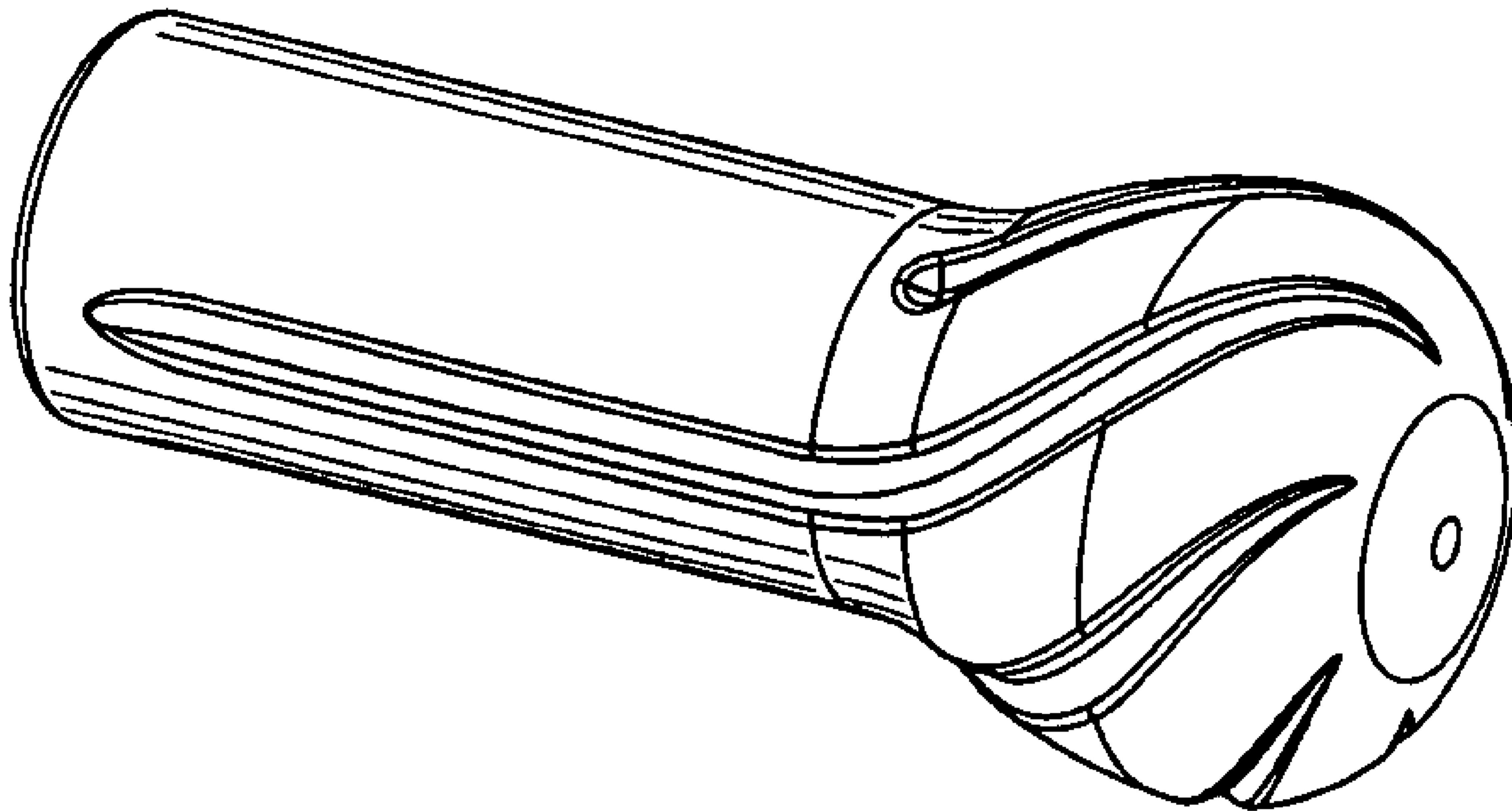
(57) **CLAIM**

The ornamental design for a slide on grip for a fishing rod, as shown and described.

DESCRIPTION

FIG. 1 is a left side and bottom isometric view of a slide on grip for a fishing rod;
FIG. 2 is a top and left side isometric view thereof;
FIG. 3 is a left side view, the right side view being a mirror image thereof;
FIG. 4 is a top view thereof; and,
FIG. 5 is a bottom view thereof.

1 Claim, 1 Drawing Sheet



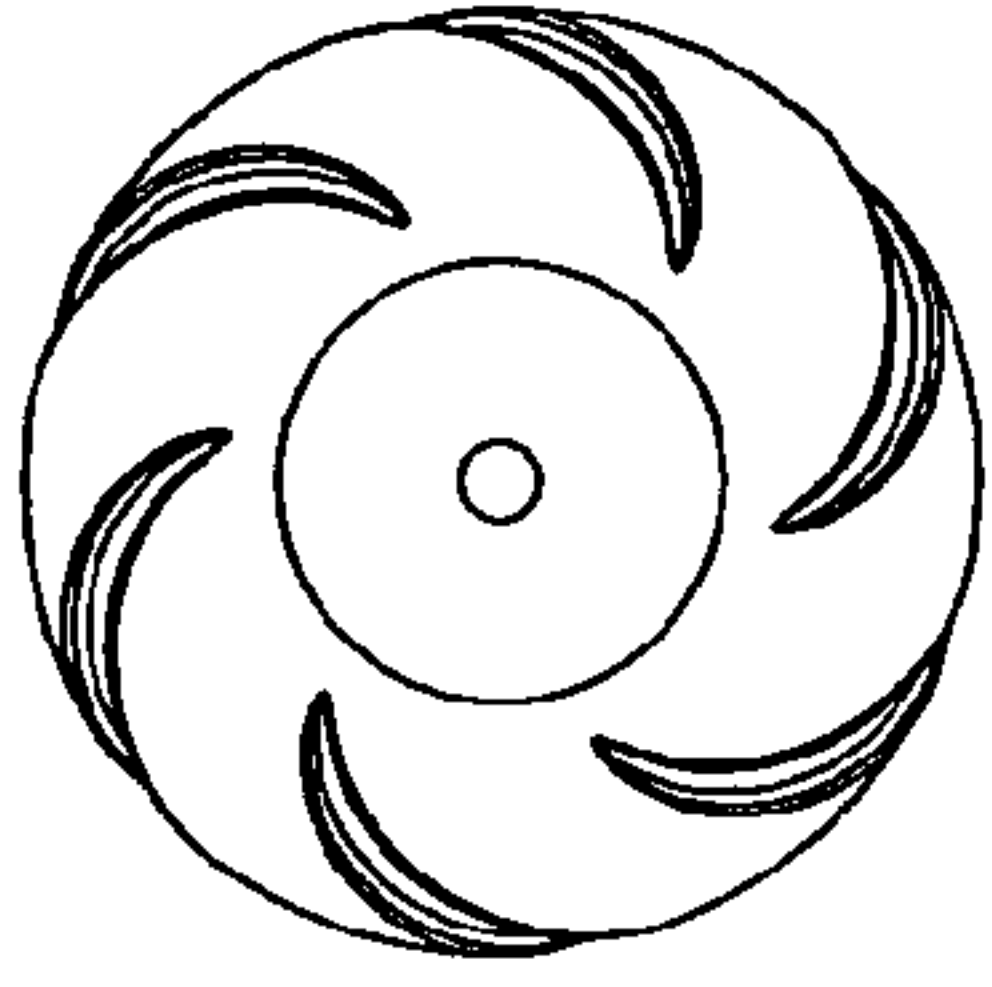


FIG. 5

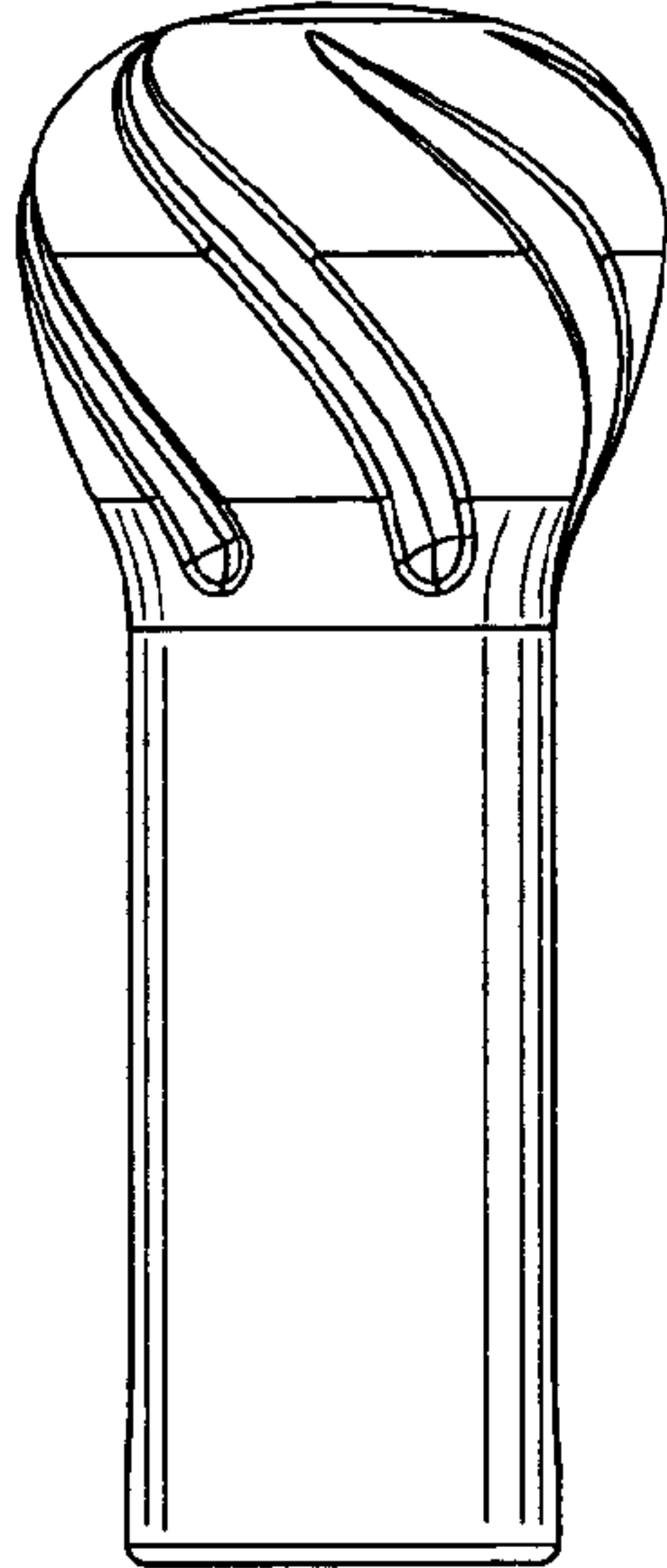


FIG. 3

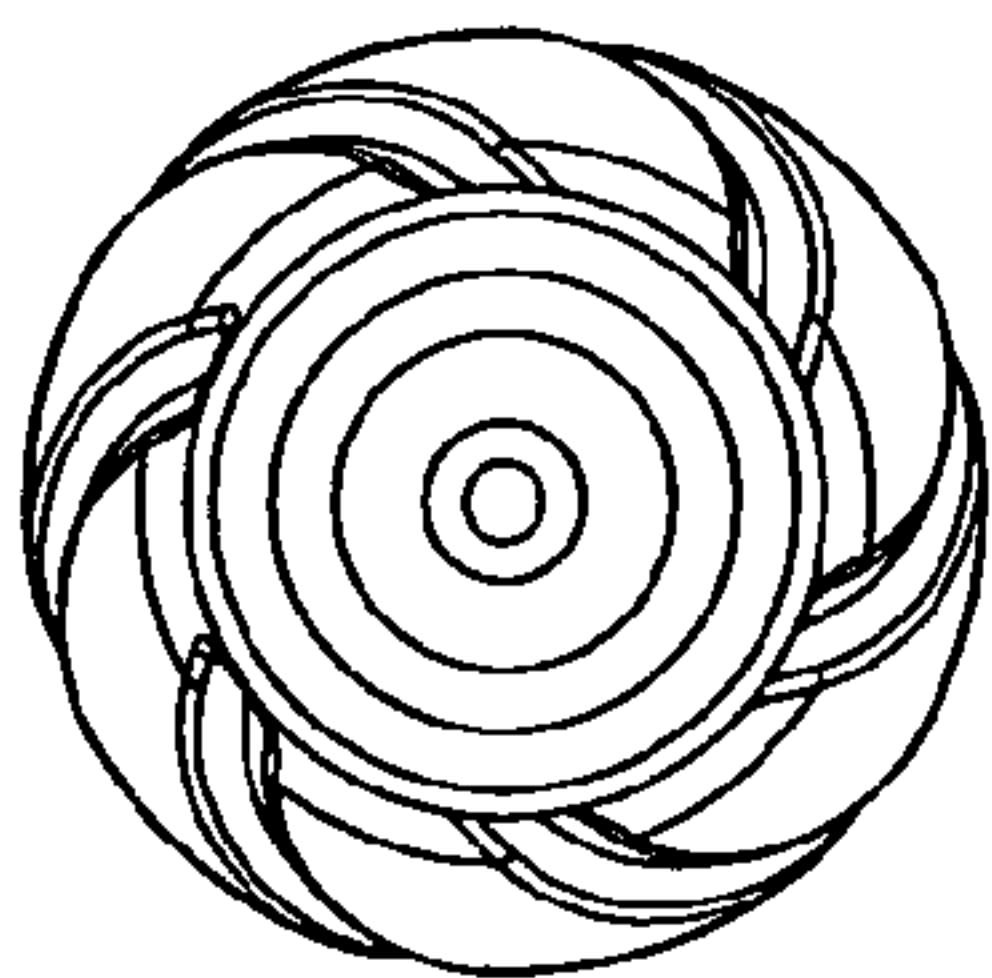


FIG. 4

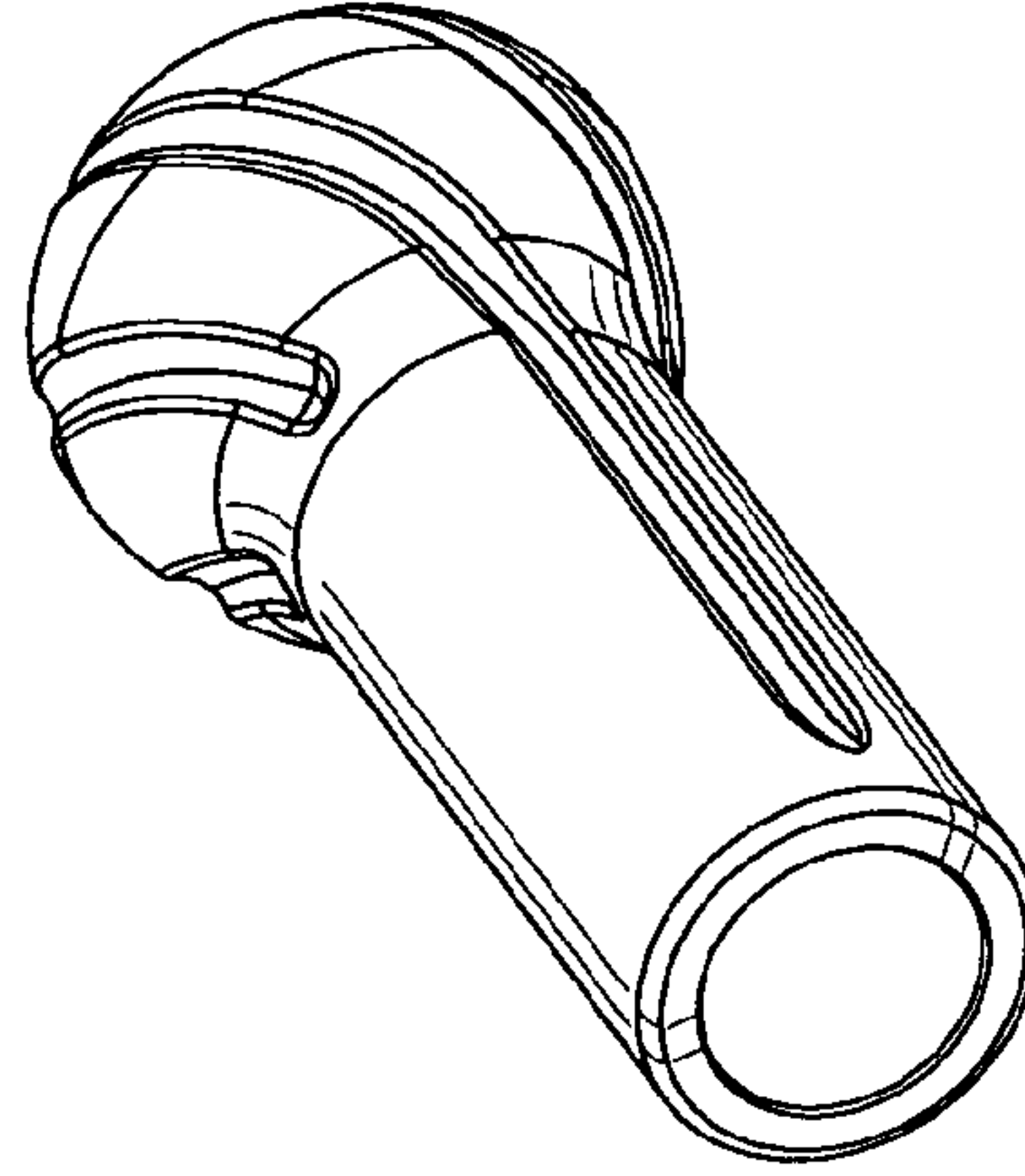


FIG. 2

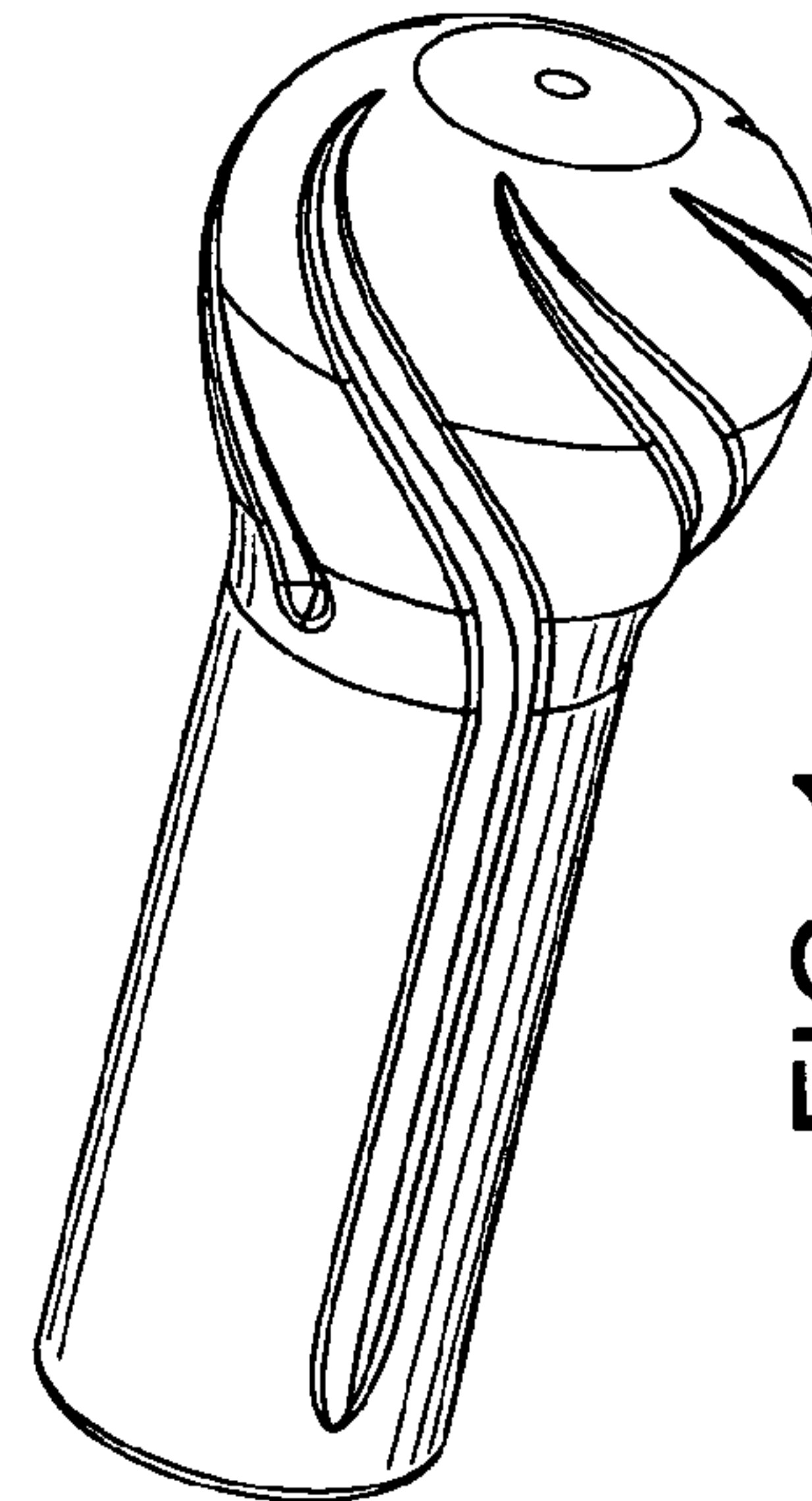


FIG. 1