



US00D649217S

(12) **United States Design Patent**
Asaba

(10) **Patent No.:** **US D649,217 S**
(45) **Date of Patent:** **** Nov. 22, 2011**

(54) **FISHING REEL PORTION**

(75) Inventor: **Mariko Asaba**, Osaka (JP)

(73) Assignee: **Shimano Inc.**, Osaka (JP)

(**) Term: **14 Years**

(21) Appl. No.: **29/390,488**

(22) Filed: **Apr. 26, 2011**

(30) **Foreign Application Priority Data**

Dec. 13, 2010 (JP) 2010-029634

(51) **LOC (9) Cl.** **22-05**

(52) **U.S. Cl.** **D22/141**

(58) **Field of Classification Search** D22/140–142,
D22/137–139; 242/310–316, 223–224, 230,
242/283, 322, 242; 43/19–22

See application file for complete search history.

(56) **References Cited**

U.S. PATENT DOCUMENTS

D273,221	S	*	3/1984	Iinuma	D22/141
D353,870	S	*	12/1994	Asano et al.	D22/141
D443,333	S	*	6/2001	Gibson	D22/140
D521,104	S	*	5/2006	Wong	D22/140
D530,778	S	*	10/2006	Young	D22/141
D561,868	S	*	2/2008	Wong	D22/140

* cited by examiner

Primary Examiner — Catheri Oliver

(74) *Attorney, Agent, or Firm* — Global IP Counselors, LLP

(57) **CLAIM**

The ornamental design for a fishing reel portion, as shown and described.

DESCRIPTION

FIG. 1 is a first perspective view of a fishing reel including a fishing reel portion in accordance with my new design;

FIG. 2 is a second perspective view of the fishing reel including the fishing reel portion illustrated in FIG. 1;

FIG. 3 is a first side elevational view of the fishing reel including the fishing reel portion illustrated in FIG. 1;

FIG. 4 is a second side elevational view of the fishing reel including the fishing reel portion illustrated in FIG. 1;

FIG. 5 is a top plan view of the fishing reel including the fishing reel portion illustrated in FIG. 1;

FIG. 6 is a bottom plan view of the fishing reel including the fishing reel portion illustrated in FIG. 1;

FIG. 7 is a first end elevational view of the fishing reel illustrated in FIG. 1 with the fishing reel portion being completely hidden from view by the fishing reel;

FIG. 8 is a second end elevational view of the fishing reel illustrated in FIG. 1 with the fishing reel portion being completely hidden from view by the fishing reel;

FIG. 9 is an enlarged perspective view, corresponding to a part of FIG. 1, of a part of the fishing reel that includes the fishing reel portion illustrated in FIG. 1;

FIG. 10 is an enlarged perspective view, corresponding to a part of FIG. 2, of a part of the fishing reel that includes the fishing reel portion illustrated in FIG. 1;

FIG. 11 is an enlarged side elevational view, corresponding to a part of FIG. 3, of a part of the fishing reel that includes the fishing reel portion illustrated in FIG. 1;

FIG. 12 is a cross sectional view of the fishing reel portion as seen along section line 12-12 of FIG. 11;

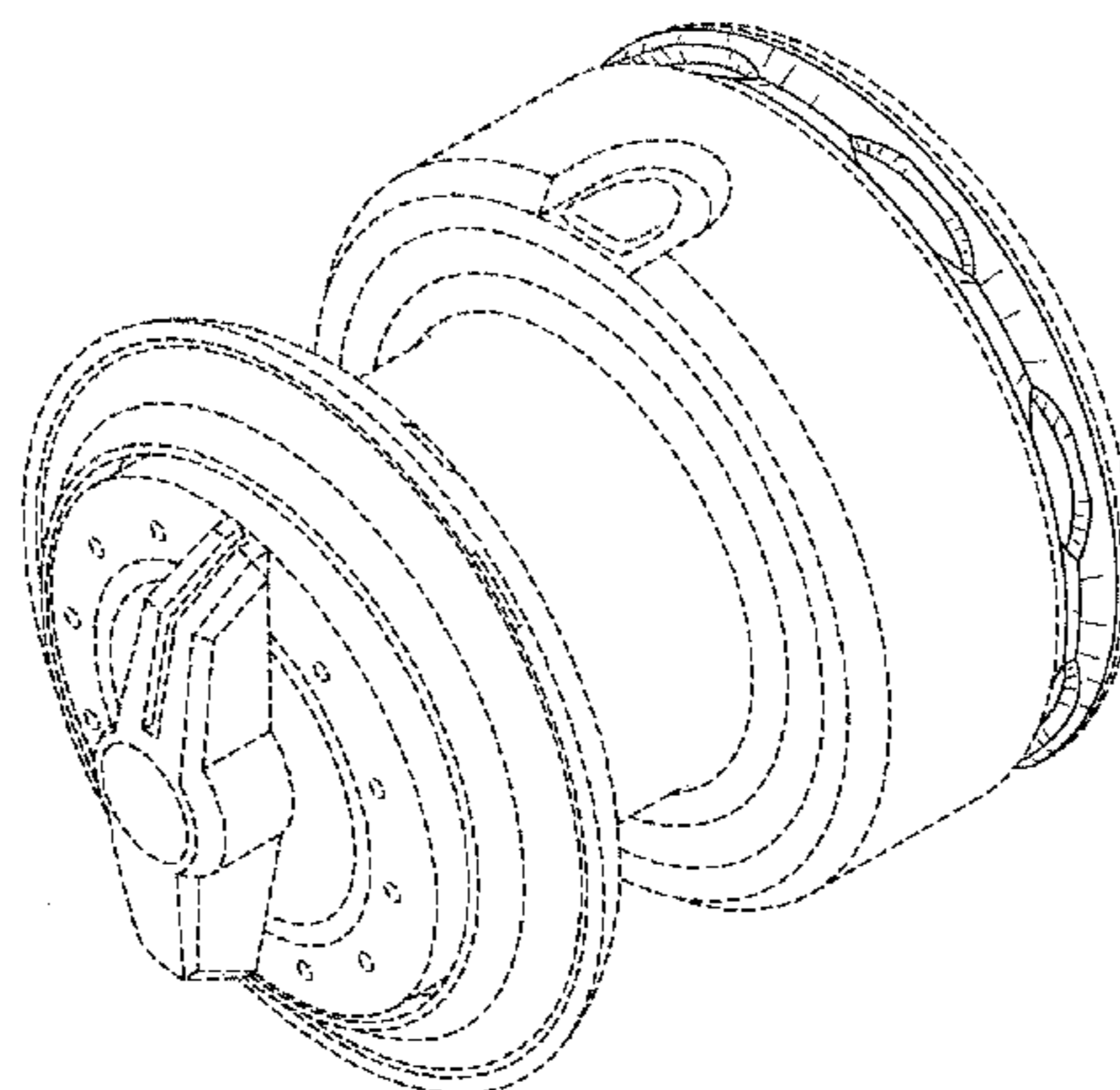
FIG. 13 is a cross sectional view of the fishing reel portion as seen along section line 13-13 of FIG. 11;

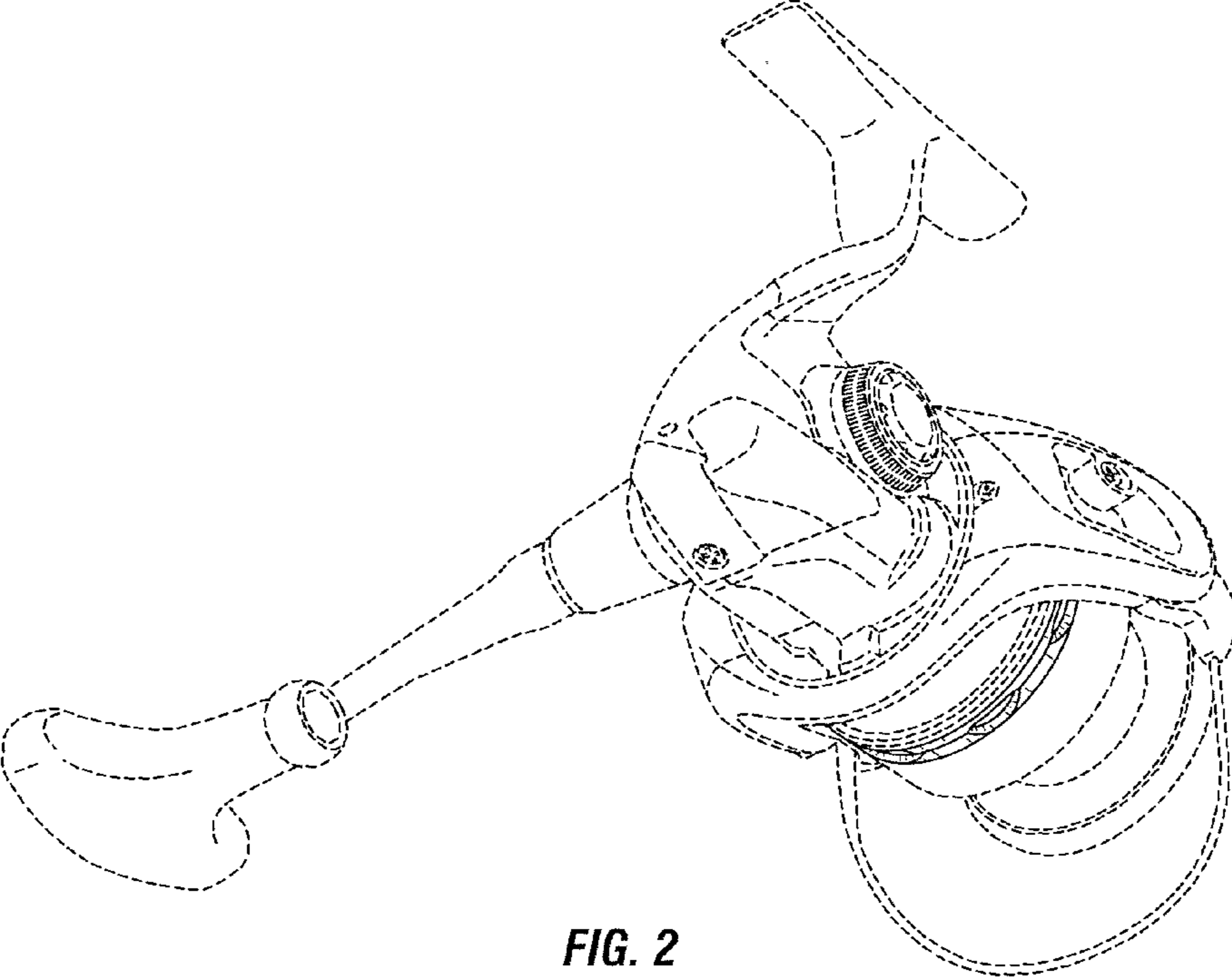
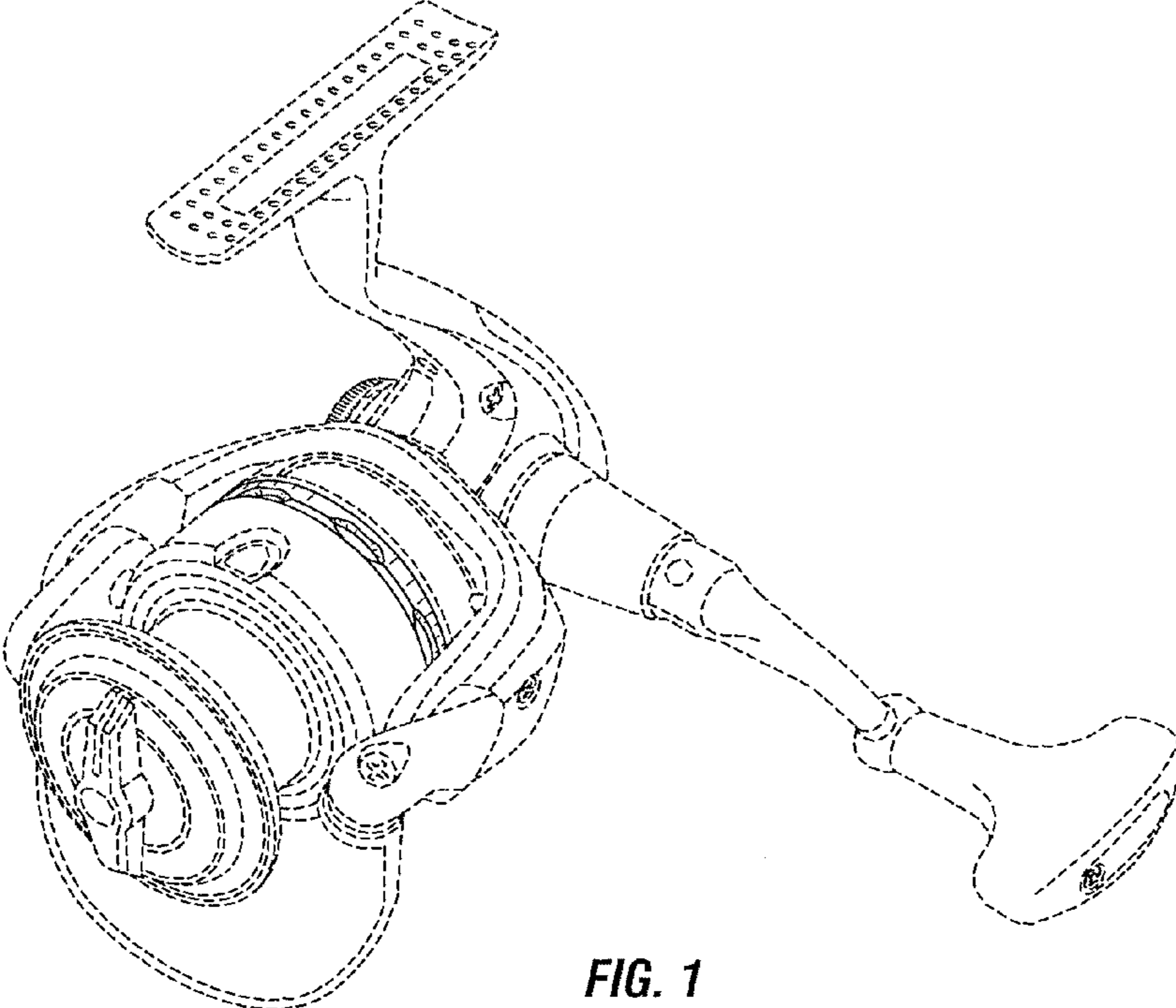
FIG. 14 is an enlarged cross sectional view of the upper portion of the cross section of FIG. 12; and,

FIG. 15 is an enlarged cross sectional view of the upper portion of the cross section of FIG. 13.

The broken line illustration of the environmental structure (the remaining structure of the fishing reel) in the drawings is not part of the claimed design. The sectional views are provided to clarify the exact contour or configuration of the exterior surface of the fishing reel portion, and no attempt is made to illustrate features of internal construction.

1 Claim, 7 Drawing Sheets





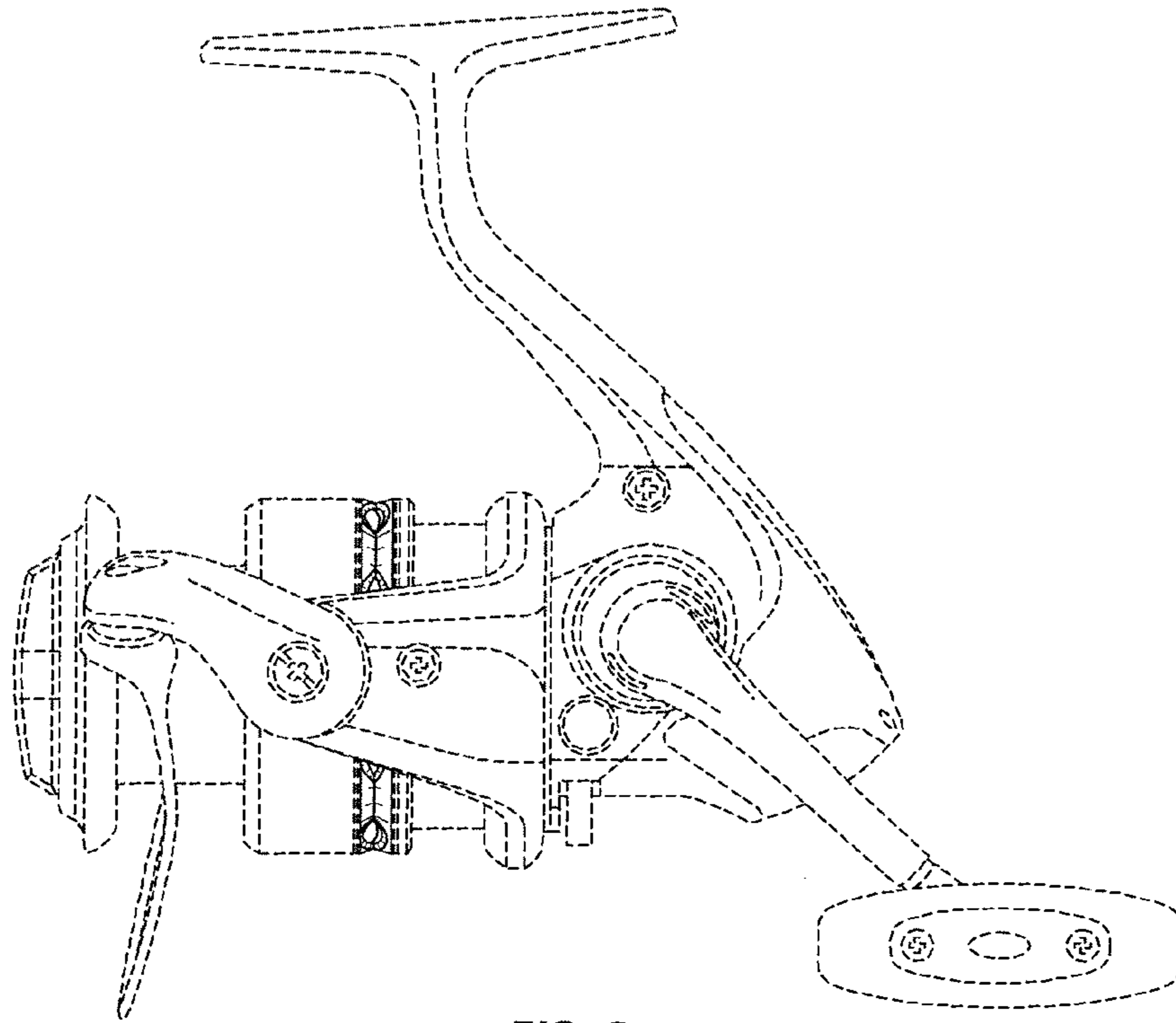


FIG. 3

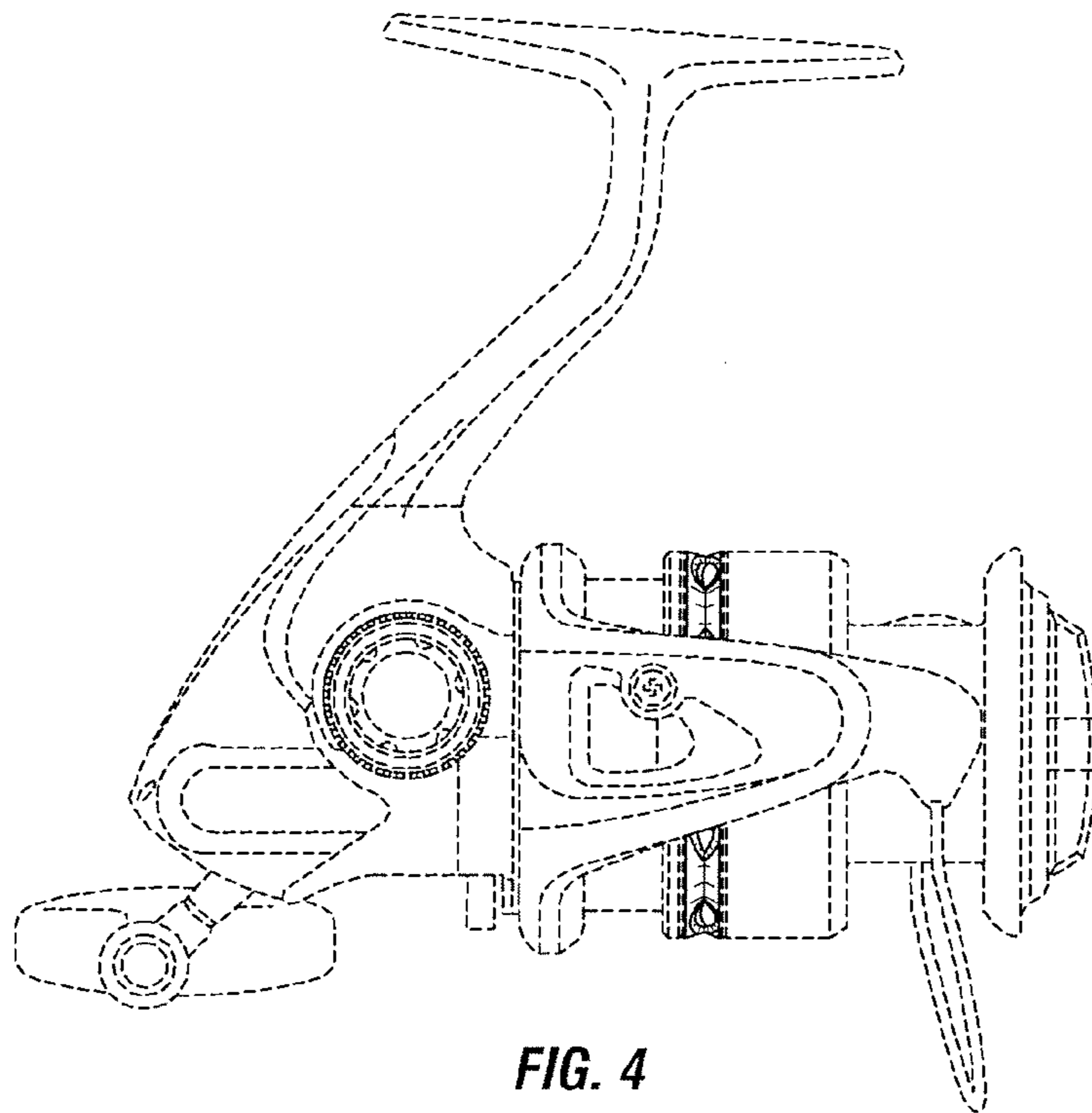


FIG. 4

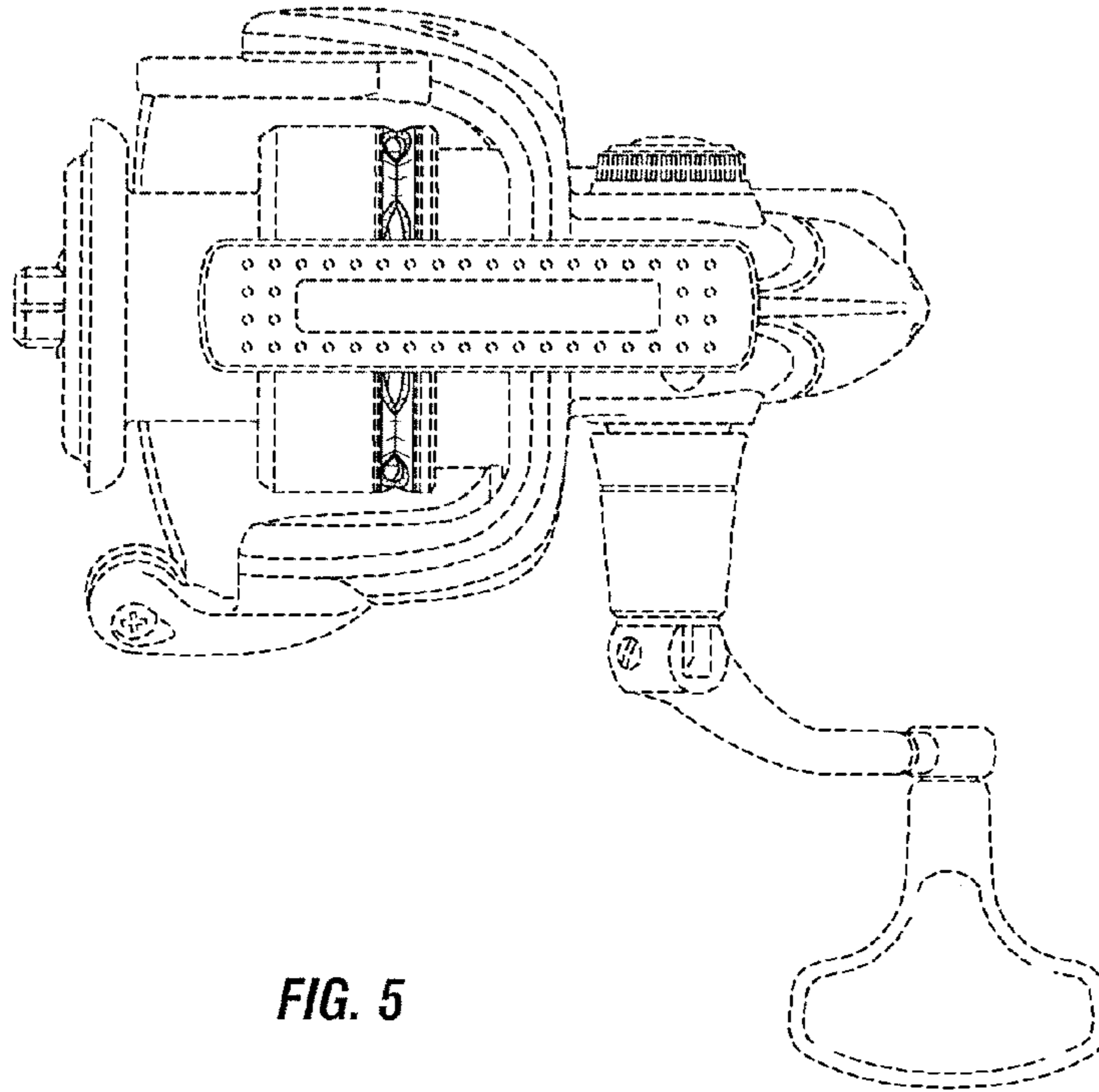


FIG. 5

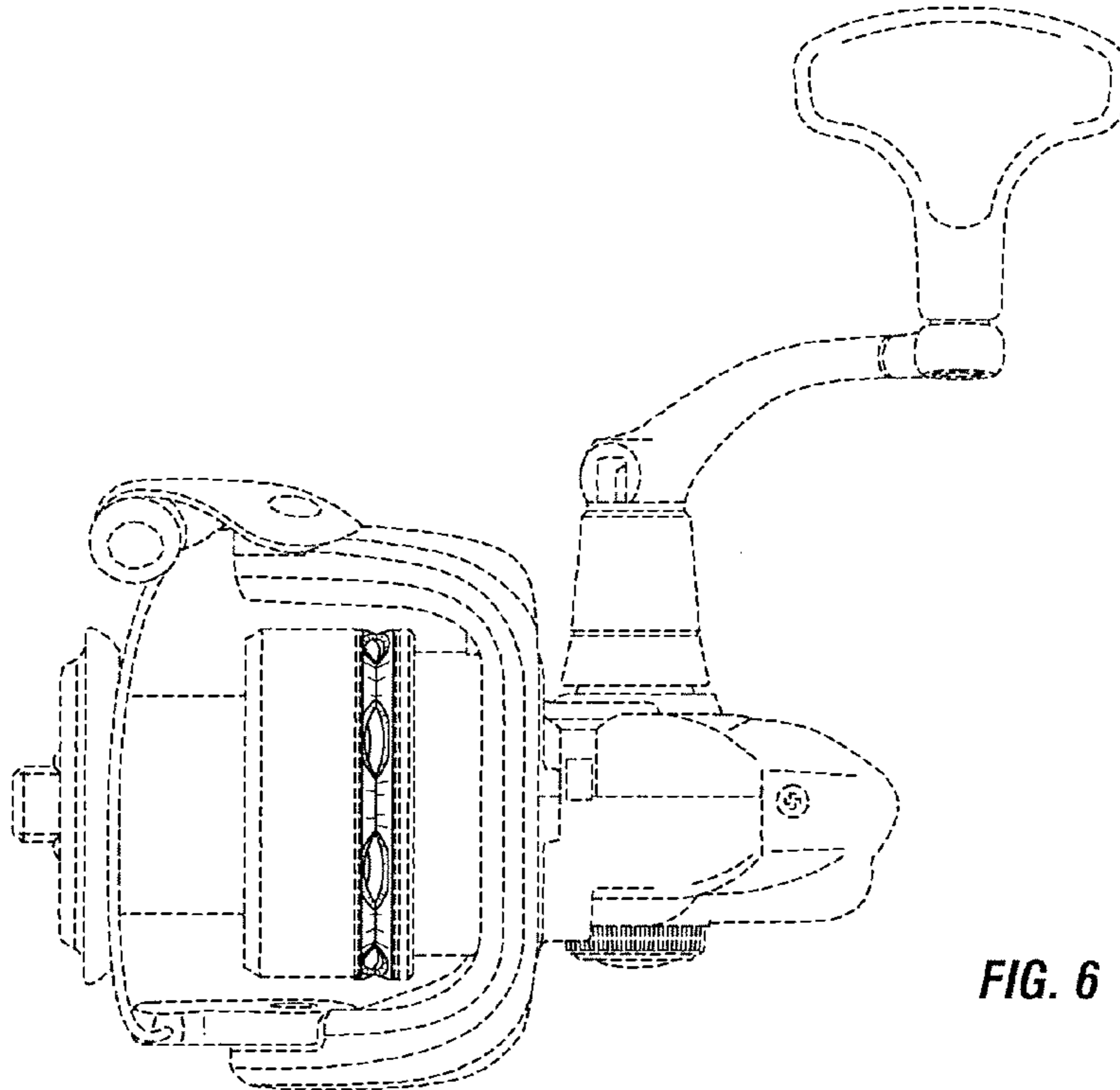


FIG. 6

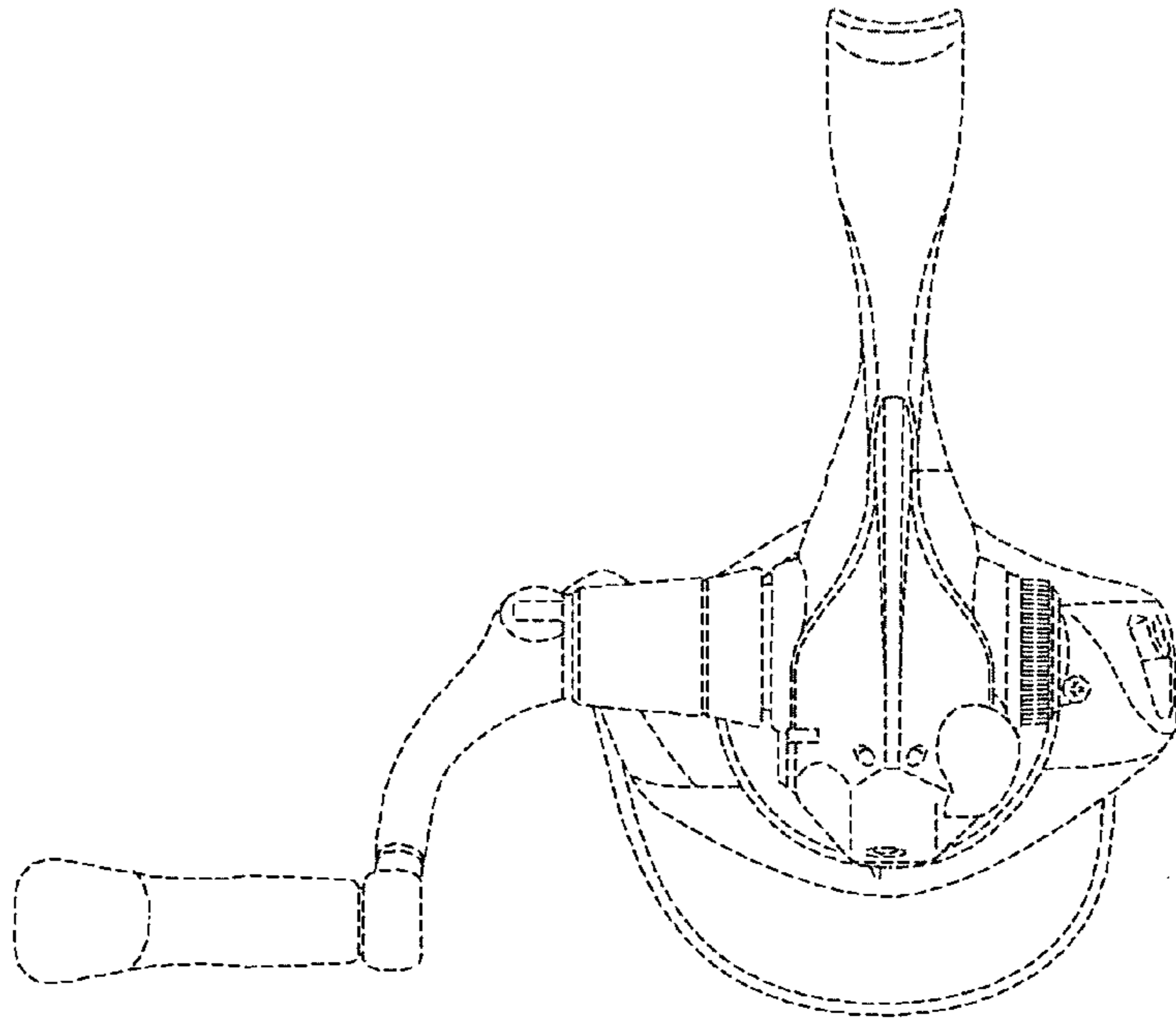


FIG. 7

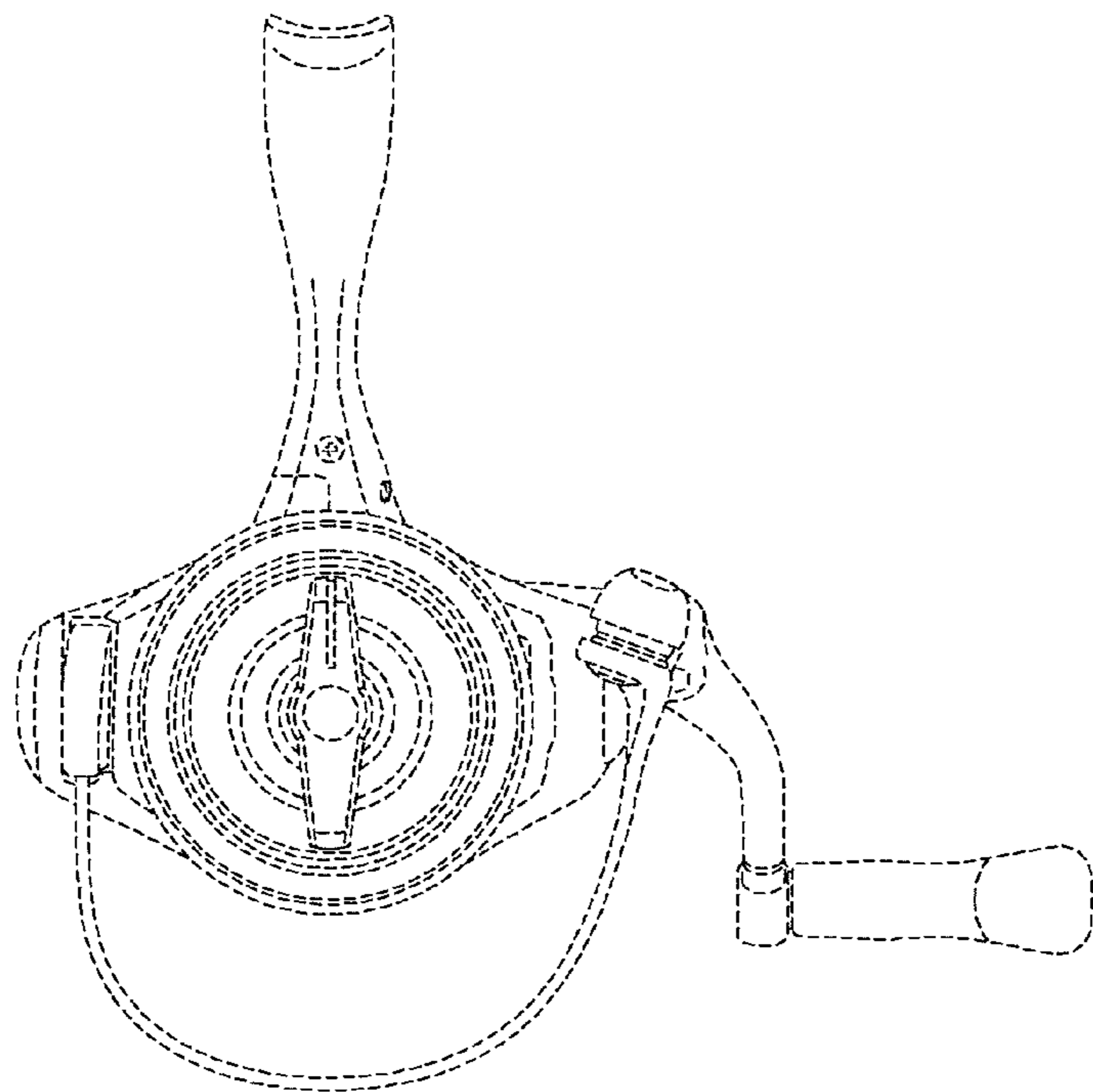


FIG. 8

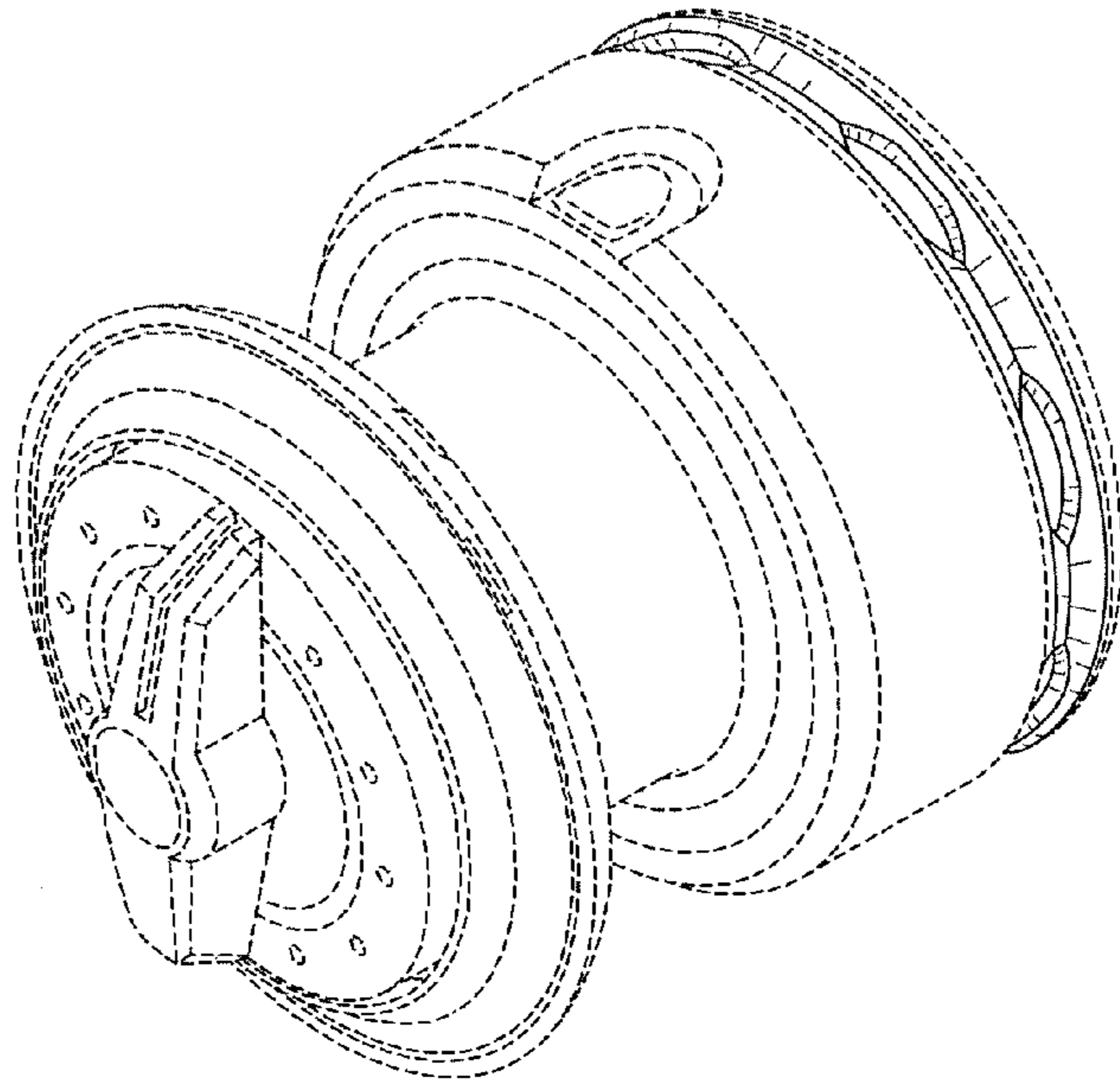


FIG. 9

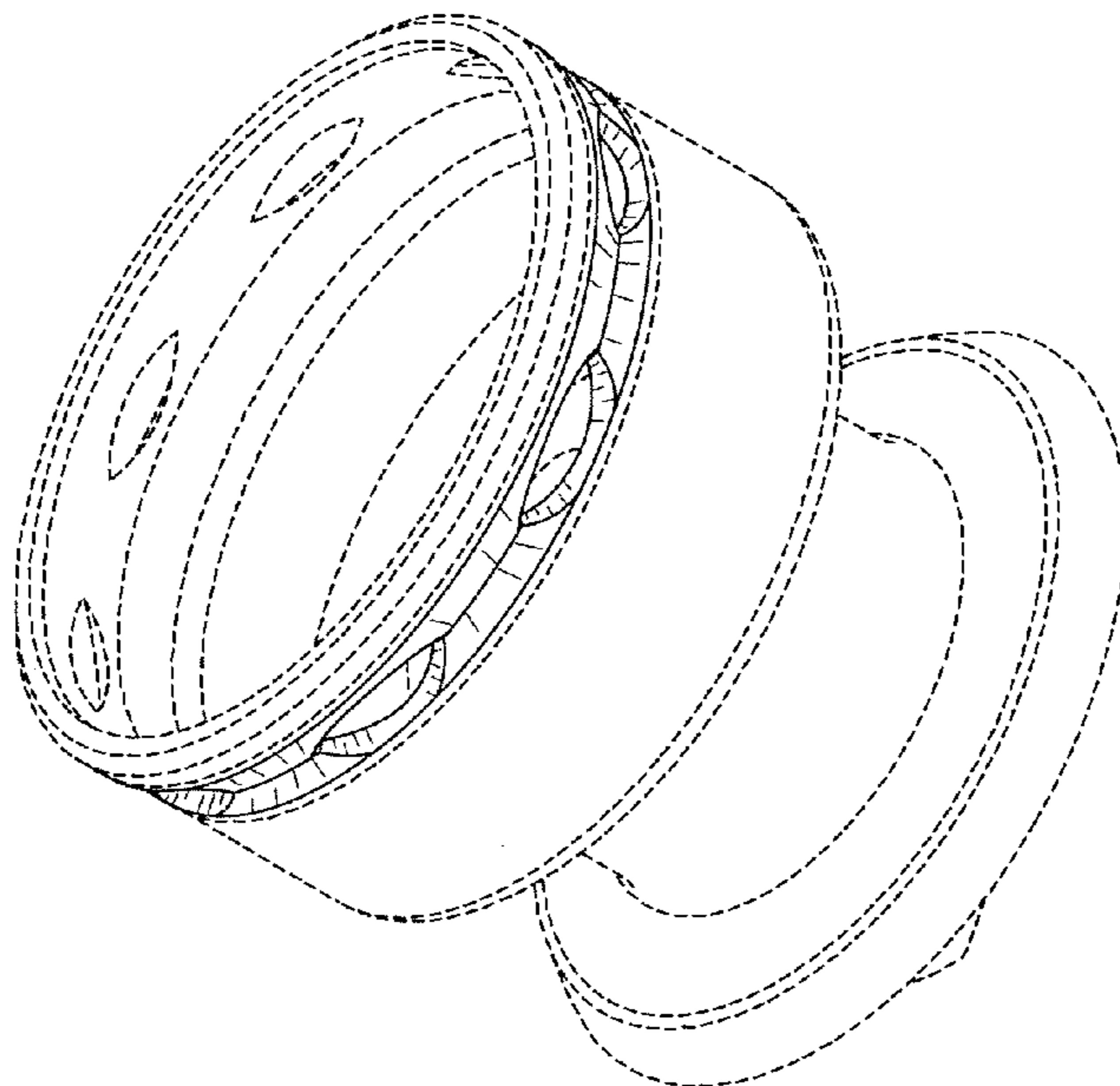


FIG. 10

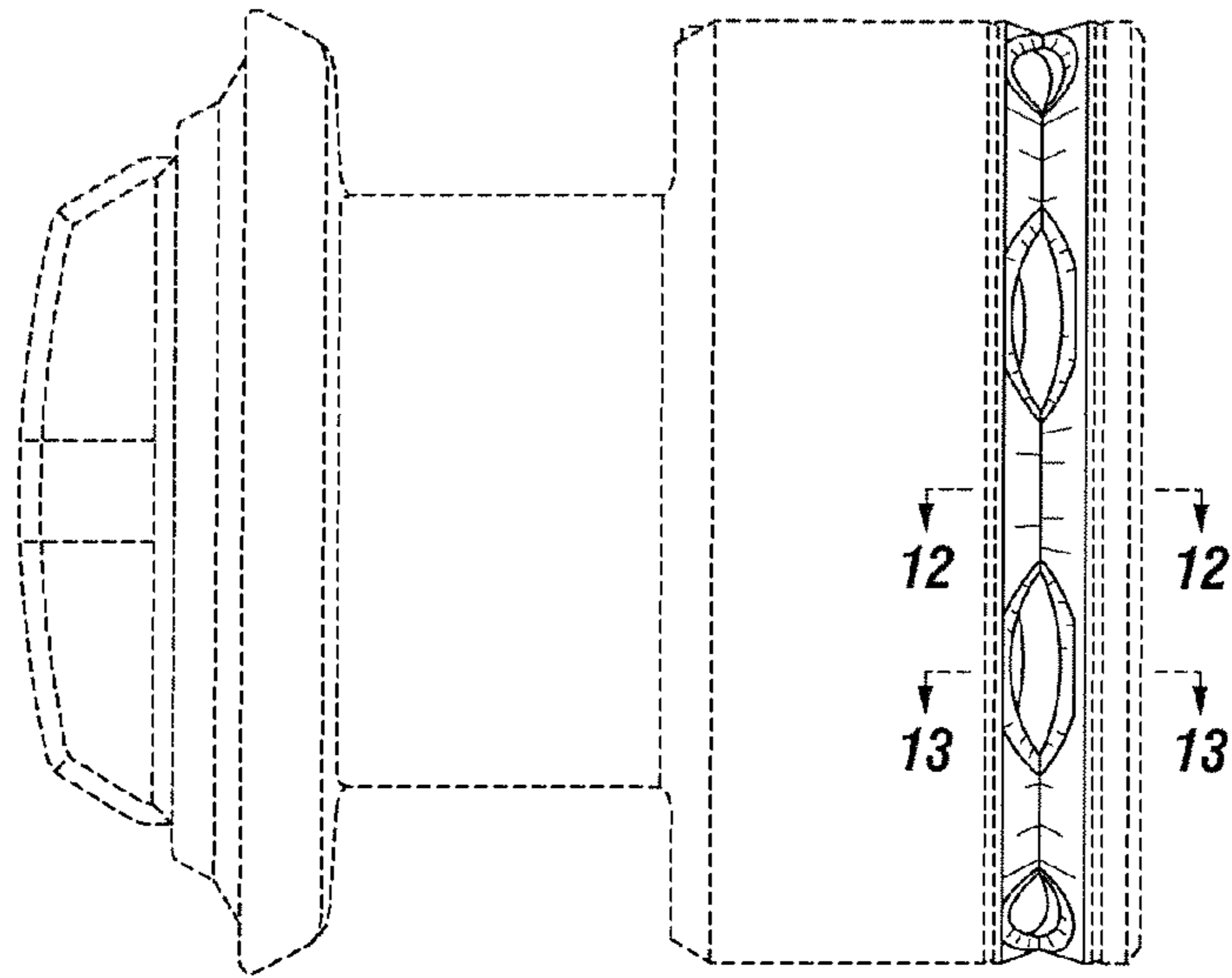


FIG. 11

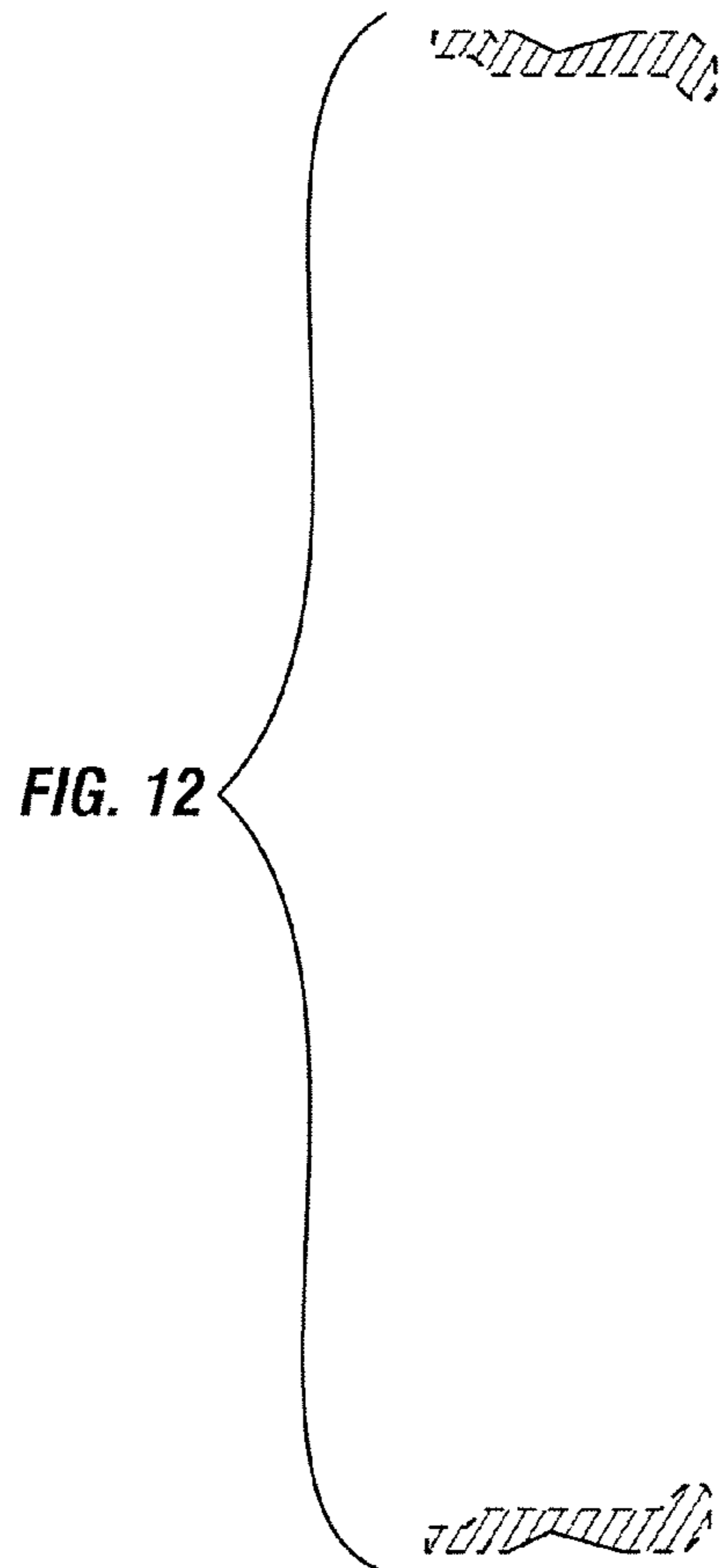


FIG. 13

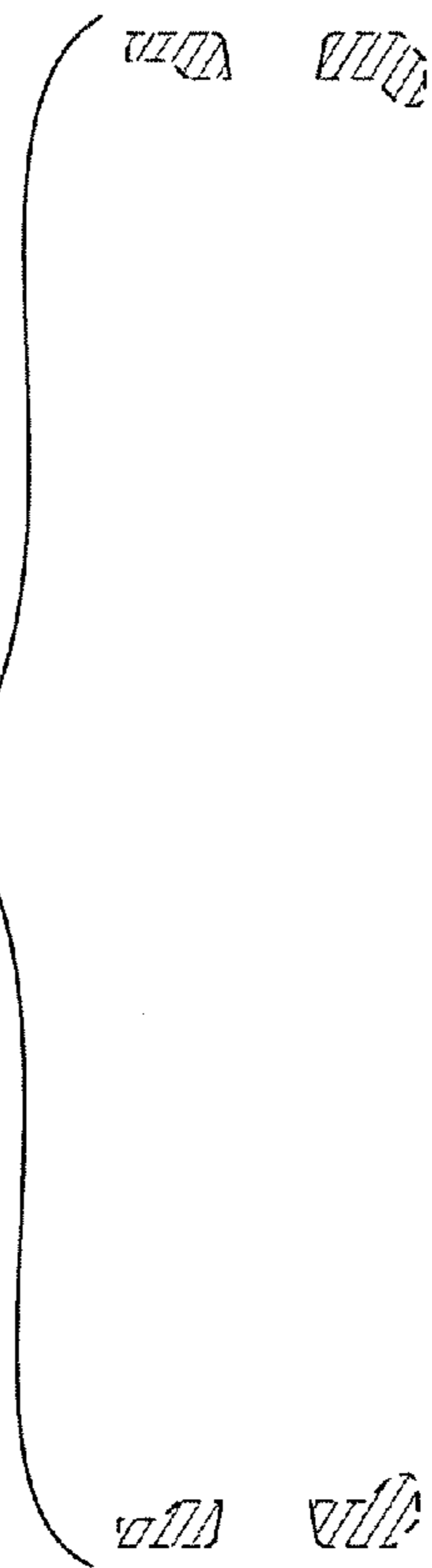


FIG. 14

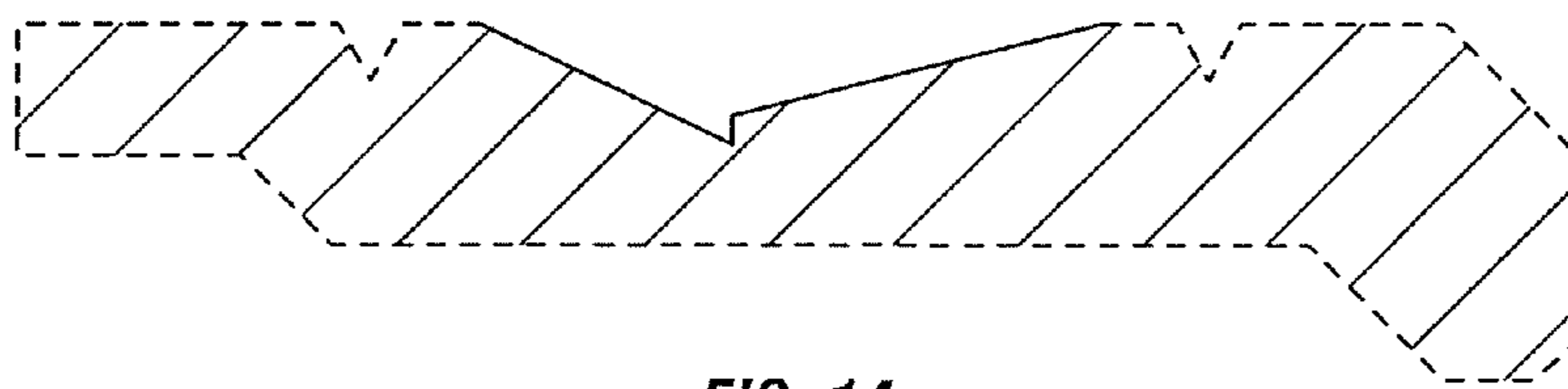


FIG. 15

