



US00D649214S

(12) **United States Design Patent**
Rollinson et al.

(10) **Patent No.:** **US D649,214 S**

(45) **Date of Patent:** **** Nov. 22, 2011**

(54) **PITCH TOOL WRENCH**

(75) Inventors: **Augustin W. Rollinson**, Carlsbad, CA
(US); **Bradley C. Rice**, Carlsbad, CA
(US)

(73) Assignee: **Callaway Golf Company**, Carlsbad, CA
(US)

(**) Term: **14 Years**

(21) Appl. No.: **29/386,019**

(22) Filed: **Feb. 23, 2011**

(51) **LOC (9) Cl.** **21-02**

(52) **U.S. Cl.** **D21/793**

(58) **Field of Classification Search** D21/789,
D21/793-794; 473/286, 408

See application file for complete search history.

(56) **References Cited**

U.S. PATENT DOCUMENTS

D247,056 S * 1/1978 McClaskie D21/793
D373,401 S * 9/1996 Schempp D21/793
D422,664 S * 4/2000 Tate D21/793

D508,104 S * 8/2005 Haug D21/793
8,007,377 B2 * 8/2011 Pearce 473/408
2010/0234142 A1 * 9/2010 Pearce 473/408

* cited by examiner

Primary Examiner — Mitchell Siegel

(74) *Attorney, Agent, or Firm* — Rebecca Hanovice;
Michael A. Catania; Sonia Lari

(57) **CLAIM**

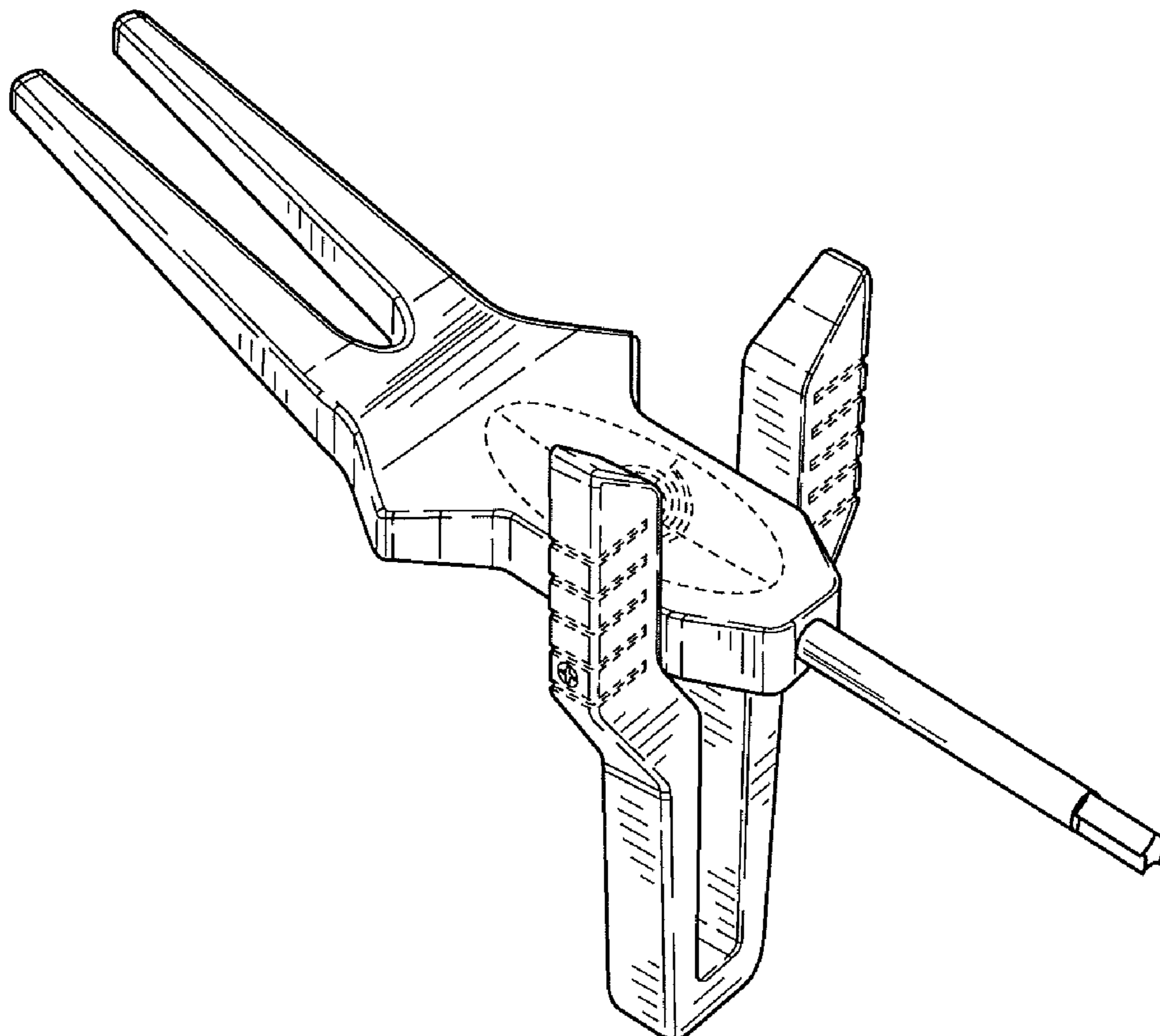
The ornamental design for a pitch tool wrench, as shown and described.

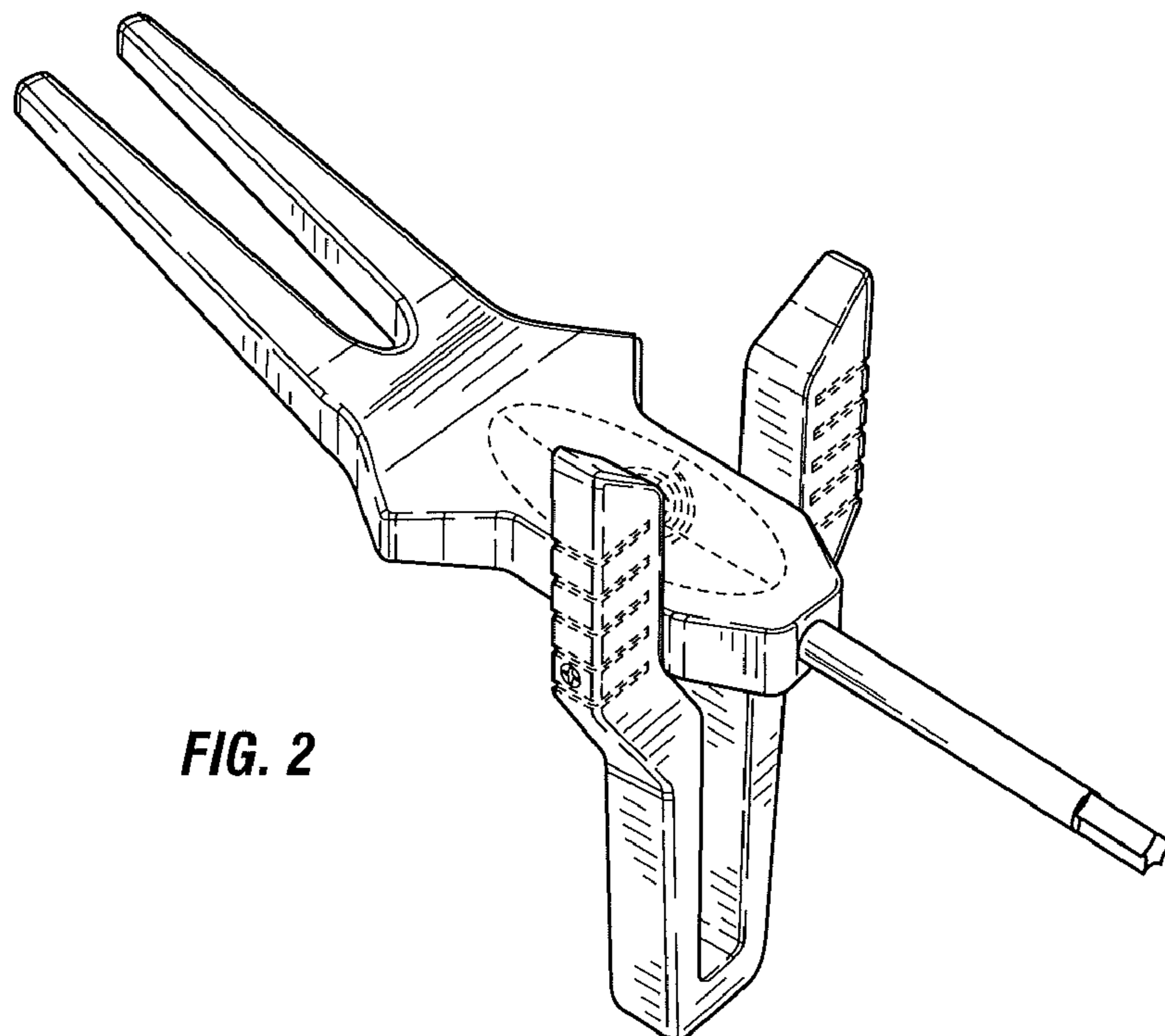
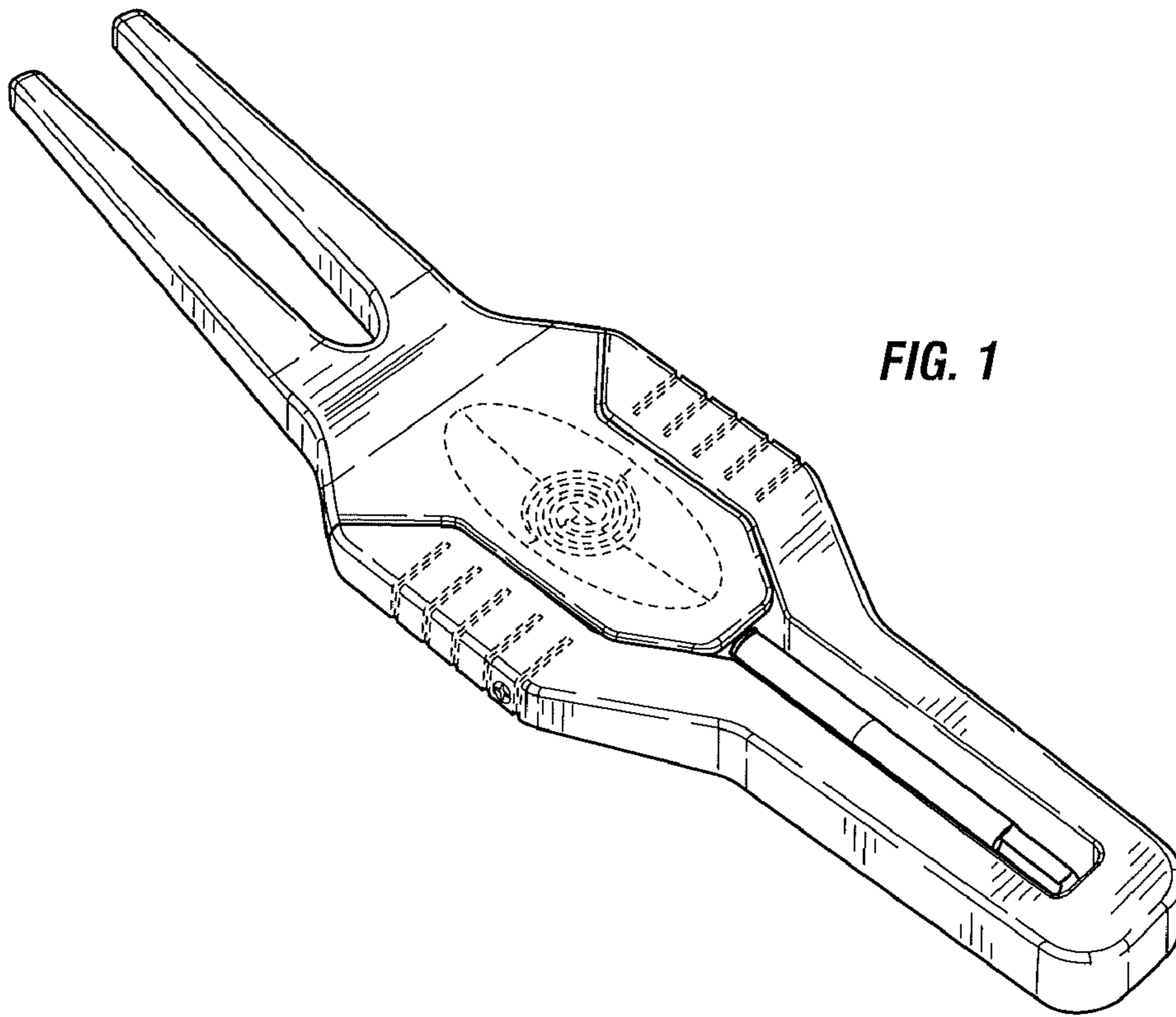
DESCRIPTION

FIG. 1 is a top perspective view of a pitch tool wrench as claimed herein, with the wrench portion in a closed position; FIG. 2 is a top perspective view thereof, with the wrench portion in an open position; FIG. 3 is a back side view of the pitch tool wrench with the wrench portion in a closed position; FIG. 4 is a front side view thereof; FIG. 5 is a right side view thereof; FIG. 6 is a left side view thereof; FIG. 7 is a top plan view thereof; and, FIG. 8 is a back plan view thereof.

The broken line showing is included for the purpose of illustrating and forms no part of the claimed design.

1 Claim, 2 Drawing Sheets





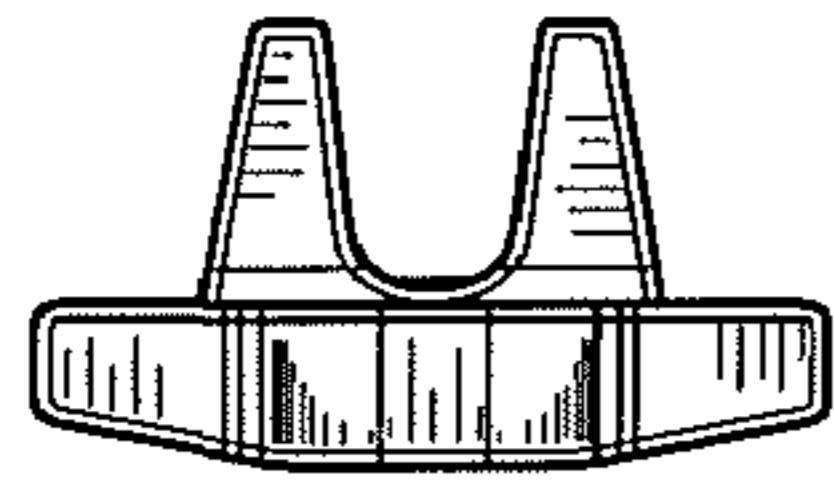


FIG. 3

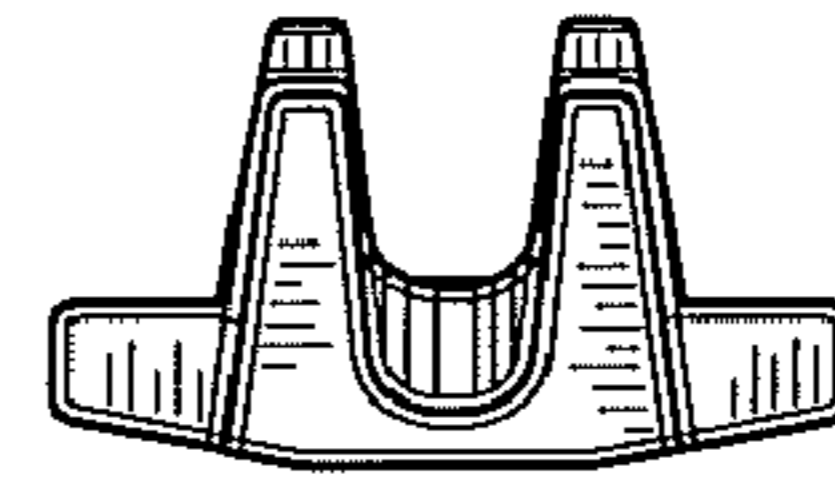


FIG. 4

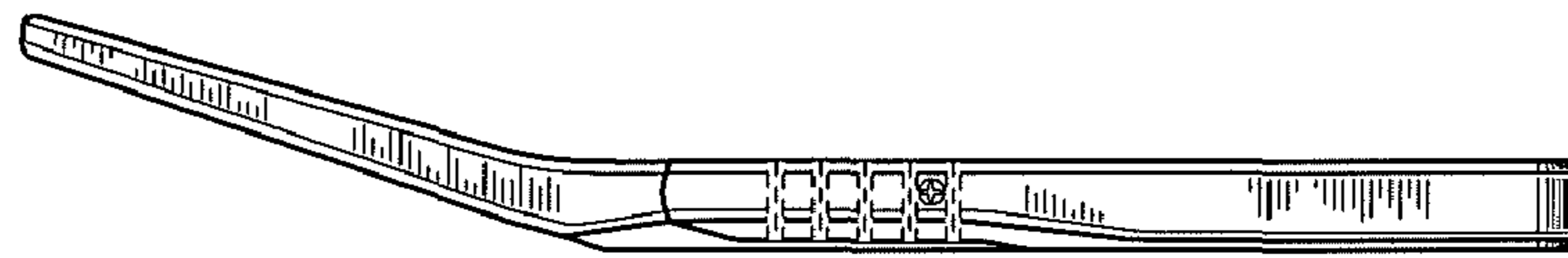


FIG. 5

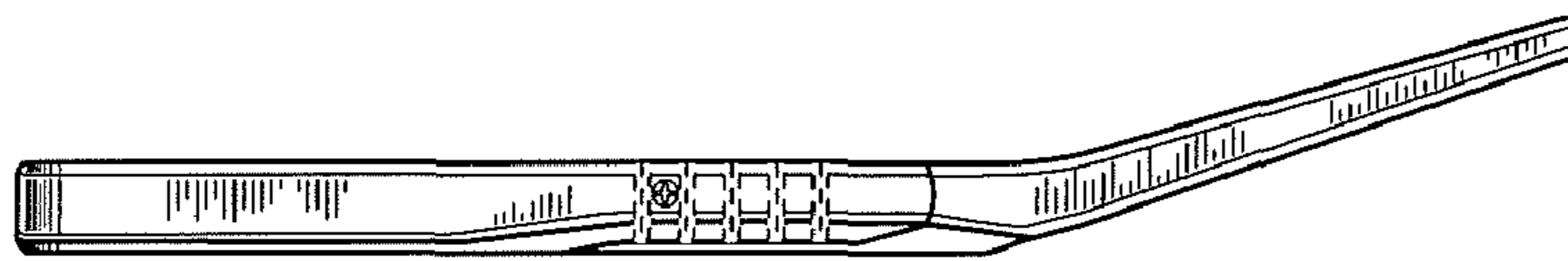


FIG. 6

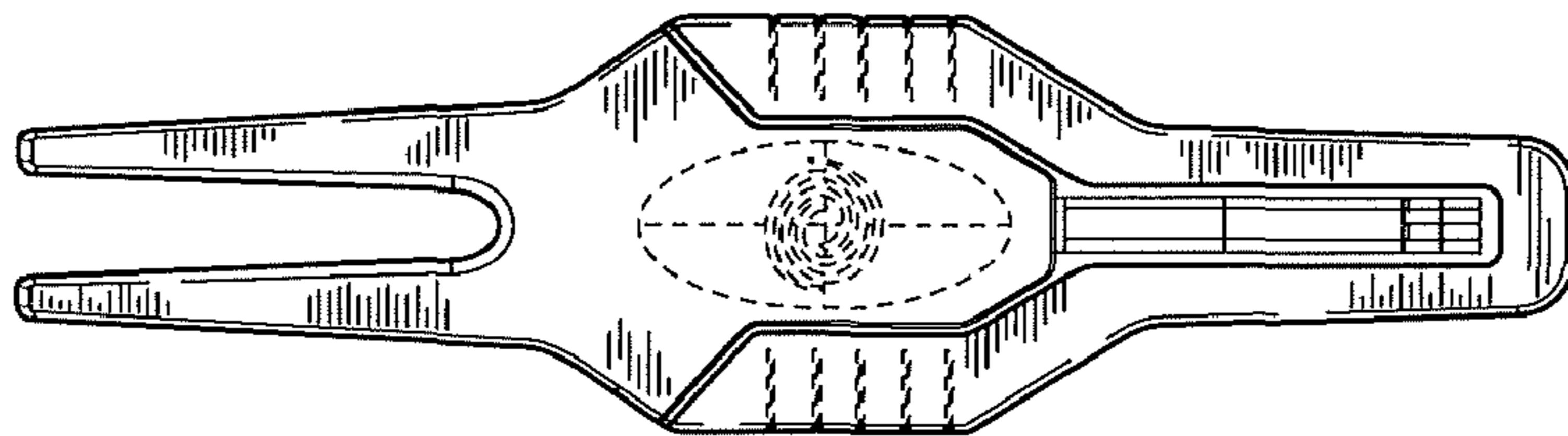


FIG. 7

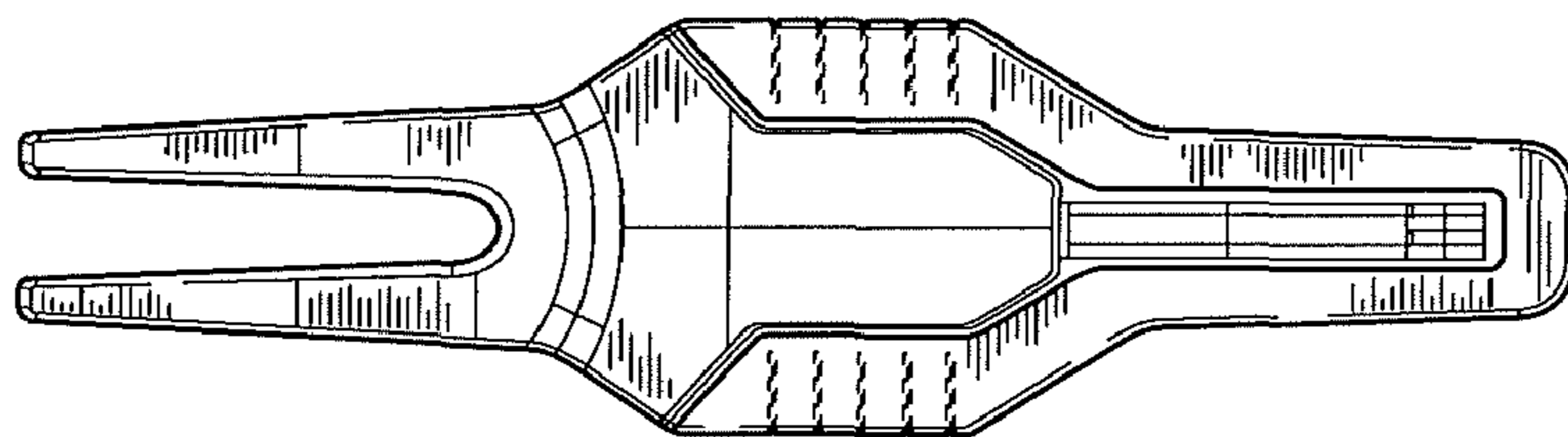


FIG. 8