



US00D649210S

(12) **United States Design Patent**  
**Page**

(10) **Patent No.:** **US D649,210 S**  
(45) **Date of Patent:** **\*\* Nov. 22, 2011**

- (54) **BAT**
- (75) Inventor: **William Page**, South Berwick, ME (US)
- (73) Assignee: **Buoy Sports LLC**, South Berwick, ME (US)
- (\*\*) Term: **14 Years**
- (21) Appl. No.: **29/375,028**
- (22) Filed: **Sep. 16, 2010**
- (51) **LOC (9) Cl.** ..... **21-02**
- (52) **U.S. Cl.** ..... **D21/725**
- (58) **Field of Classification Search** ..... D21/725,  
D21/753, 756-757; 473/564-568  
See application file for complete search history.

(56) **References Cited**

U.S. PATENT DOCUMENTS

D310,114 S *	8/1990	Catherall	.....	D21/725
D386,678 S *	11/1997	Tyra	.....	D21/725
D445,859 S *	7/2001	Pitsenberger	.....	D21/725
D448,056 S *	9/2001	Duffy et al.	.....	D21/725
D461,213 S *	8/2002	Smith	.....	D21/725
D547,814 S *	7/2007	Sims et al.	.....	D21/725
2007/0202973 A1 *	8/2007	Van Nguyen	.....	473/564

\* cited by examiner

*Primary Examiner* — Mitchell Siegel

(74) *Attorney, Agent, or Firm* — Bourque and Associates

(57) **CLAIM**  
The ornamental design for a bat, as shown and described.

**DESCRIPTION**

FIG. 1 is a perspective view of the bat according to the present invention;  
 FIG. 2 is a front view thereof, the back, left and right side being identical;  
 FIG. 3 is a cross-section of the bat taken along lines 3-3 in FIG. 2;  
 FIG. 4 is a top view thereof;  
 FIG. 5 is a bottom view thereof;  
 FIG. 6 is a perspective view of the bat according to a second embodiment of the present invention;  
 FIG. 7 is a front view of the bat according to a third embodiment of the present invention;  
 FIG. 8 is a front view of the bat according to a fourth embodiment of the present invention;  
 FIG. 9 is a front view of the bat according to a fifth embodiment of the present invention;  
 FIG. 10 is a front view of the bat according to a sixth embodiment of the present invention;  
 FIG. 11 is a cross-section of the bat taken along lines 11-11 in FIG. 10  
 FIG. 12 is a front view of the bat according to a seventh embodiment of the present invention; and,  
 FIG. 13 is a cross-section of the bat taken along lines 12-12 in FIG. 12.

The broken lines shown are for illustrative purposes only and form no part of the claimed design.

**1 Claim, 9 Drawing Sheets**

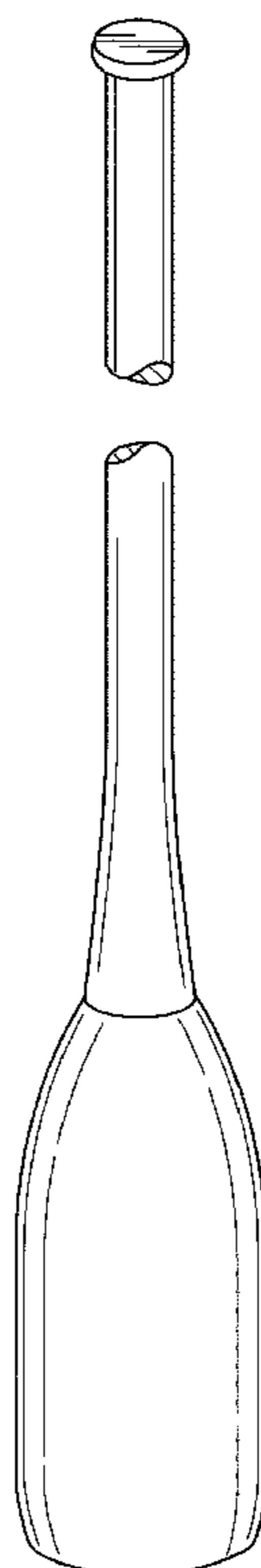
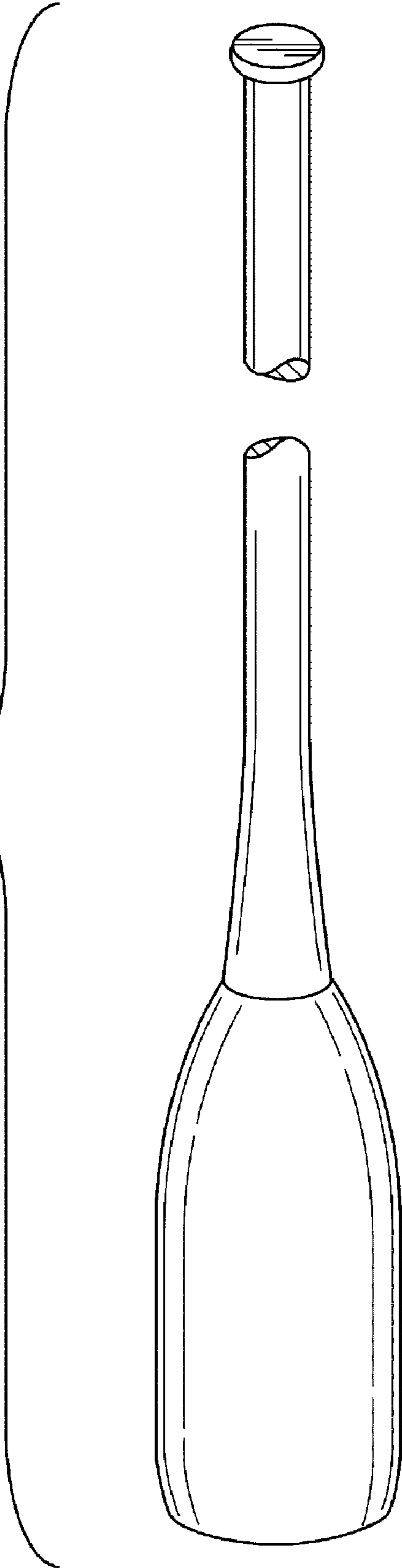
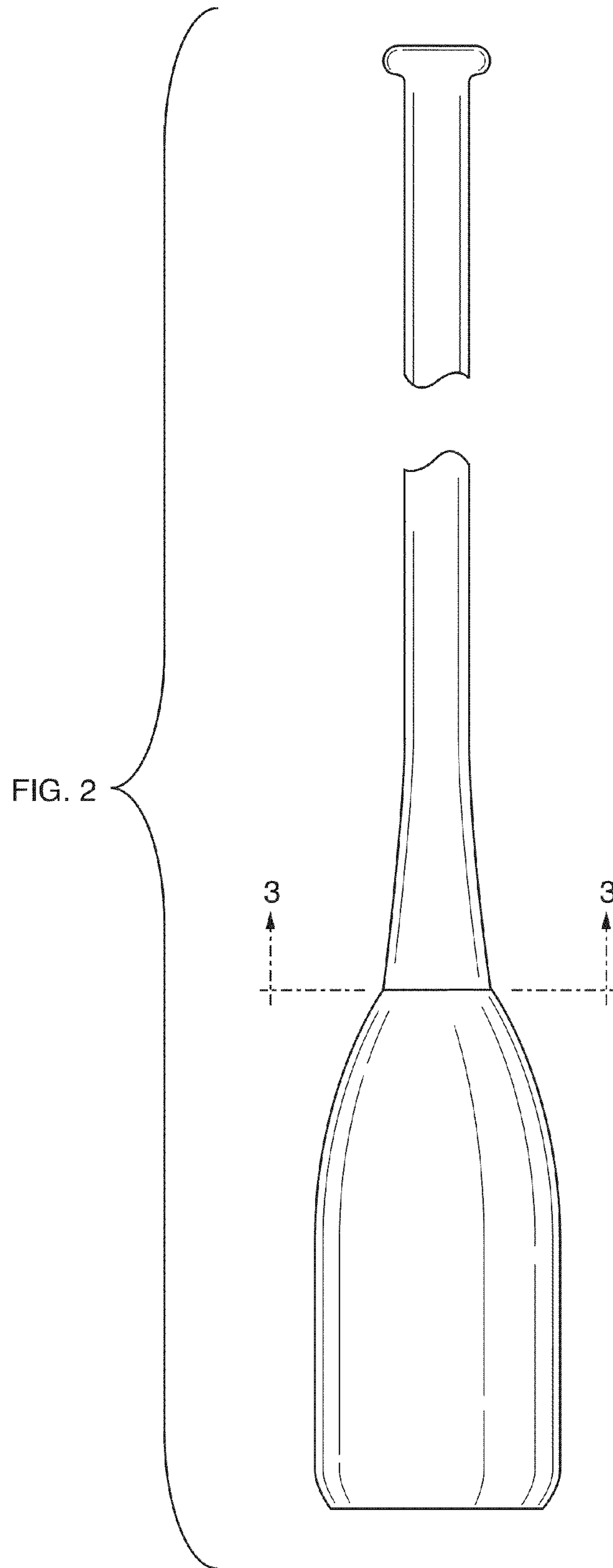


FIG. 1





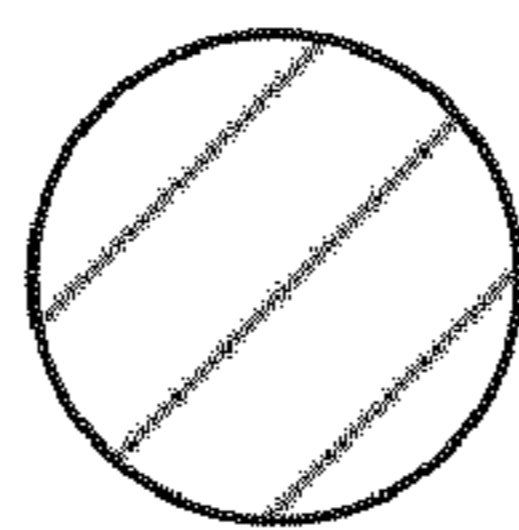


FIG. 3

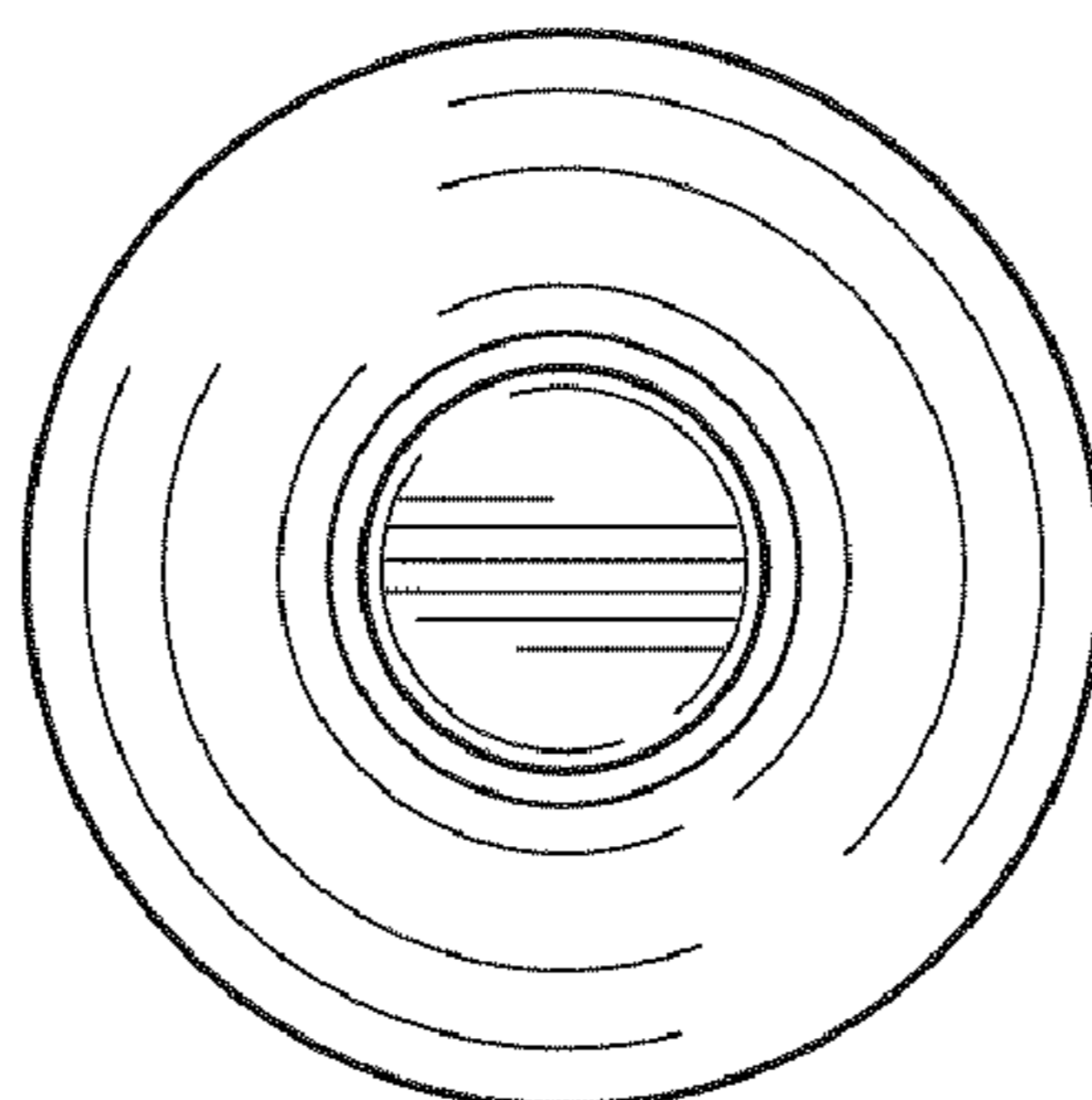


FIG. 4

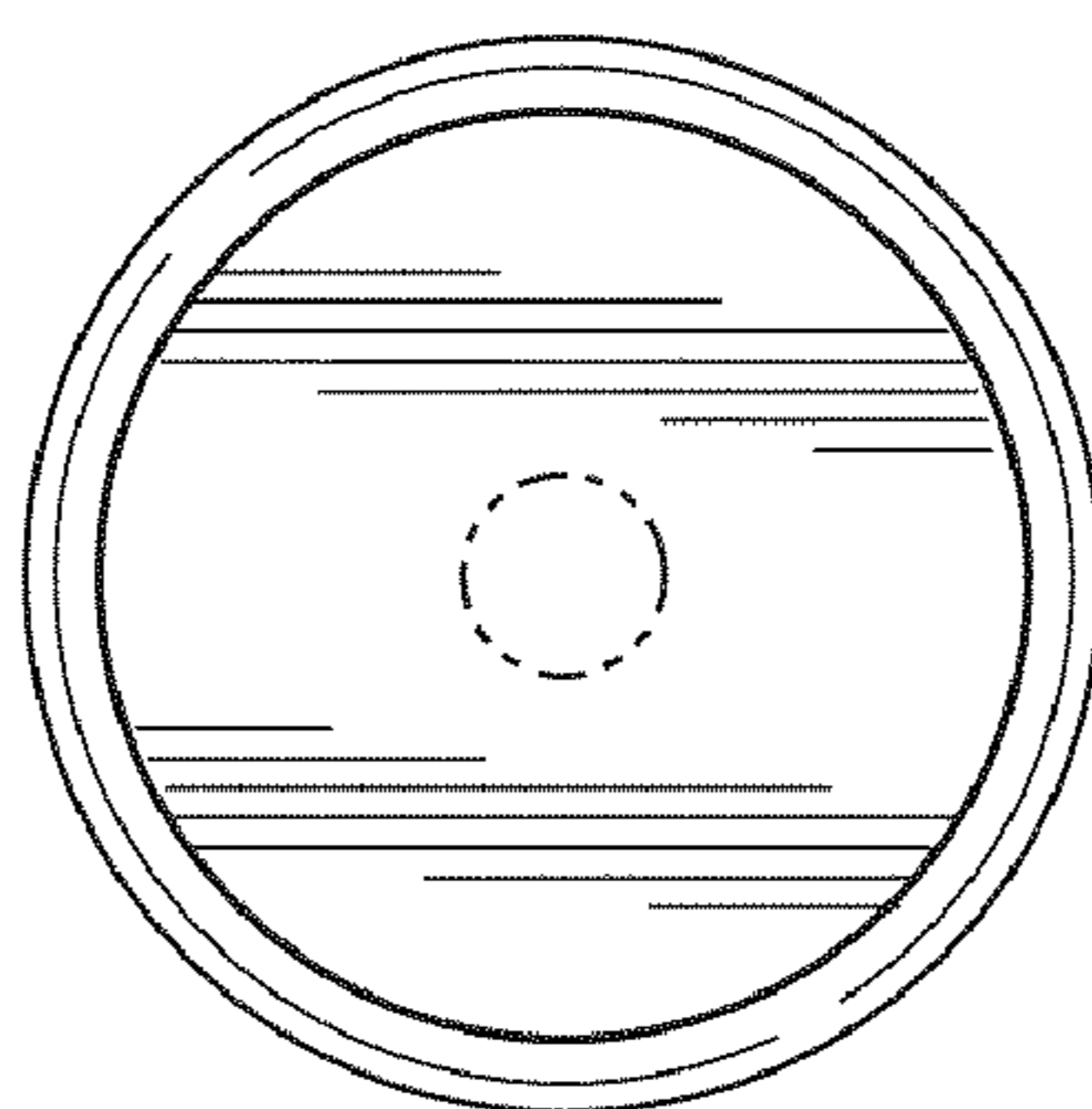


FIG. 5

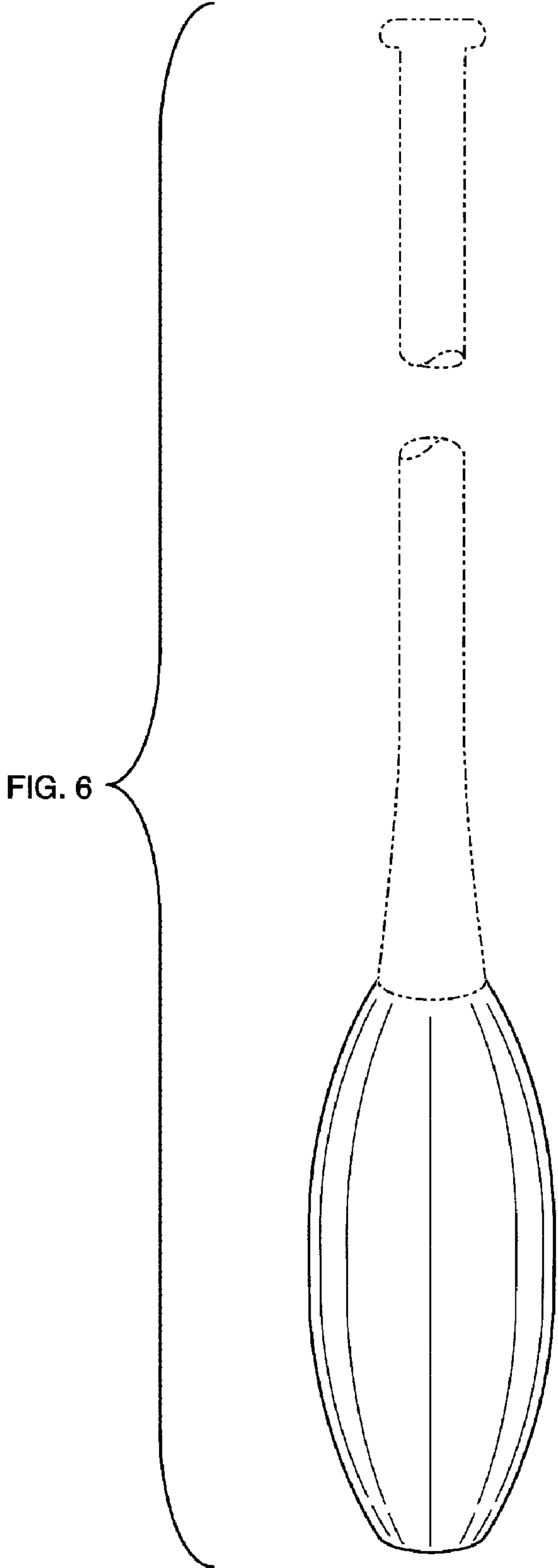
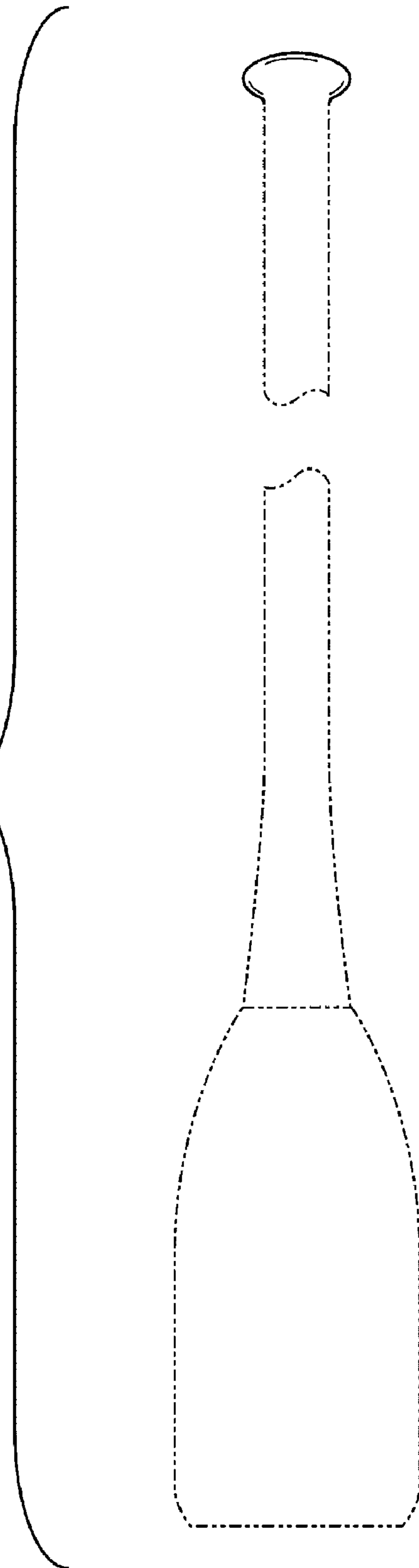
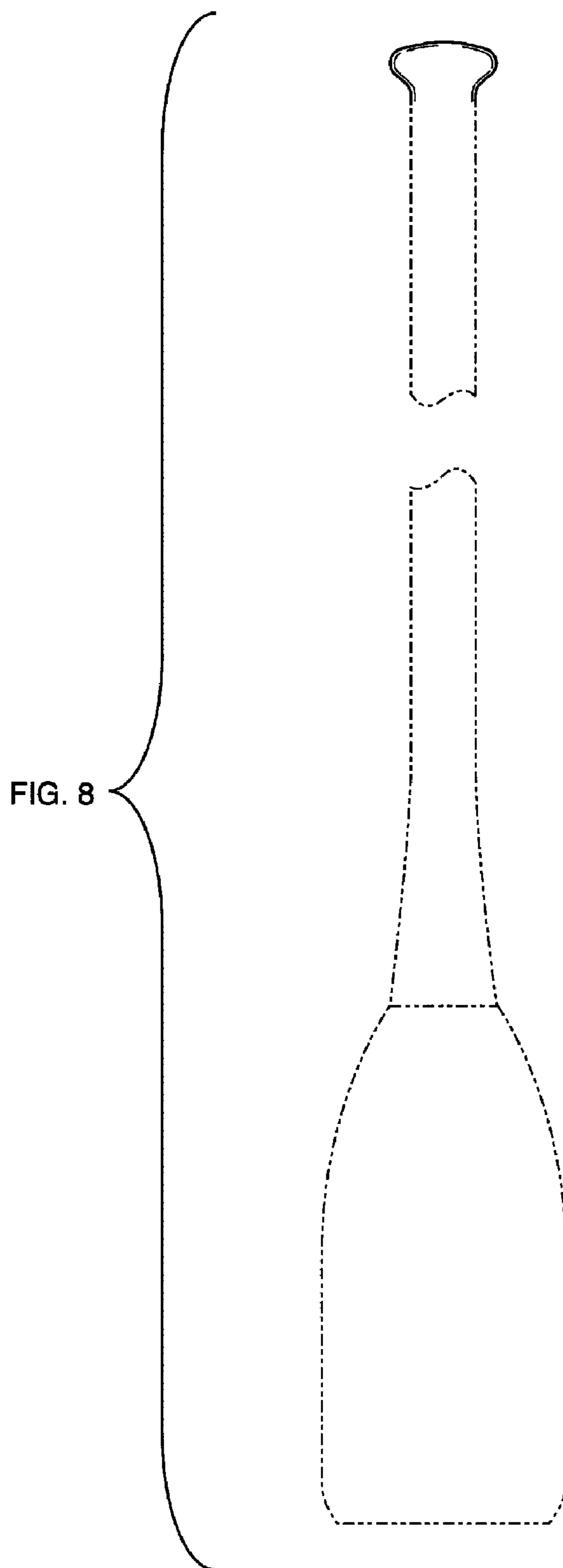
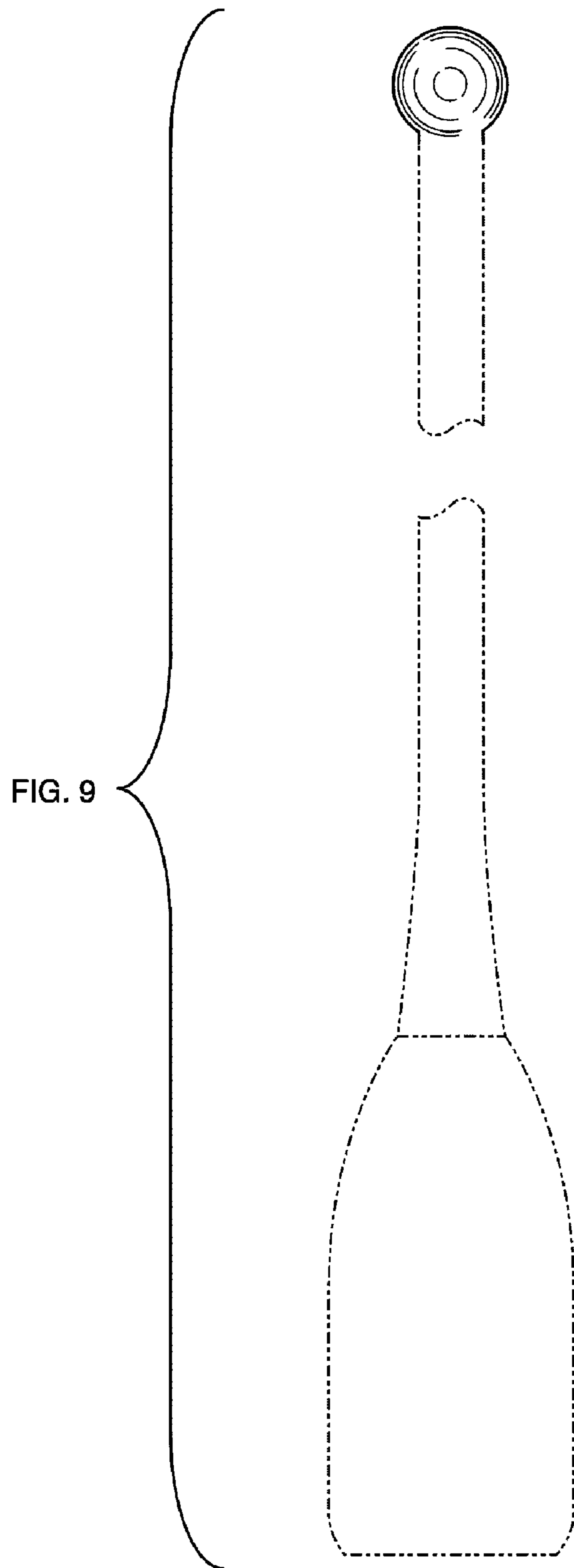


FIG. 7









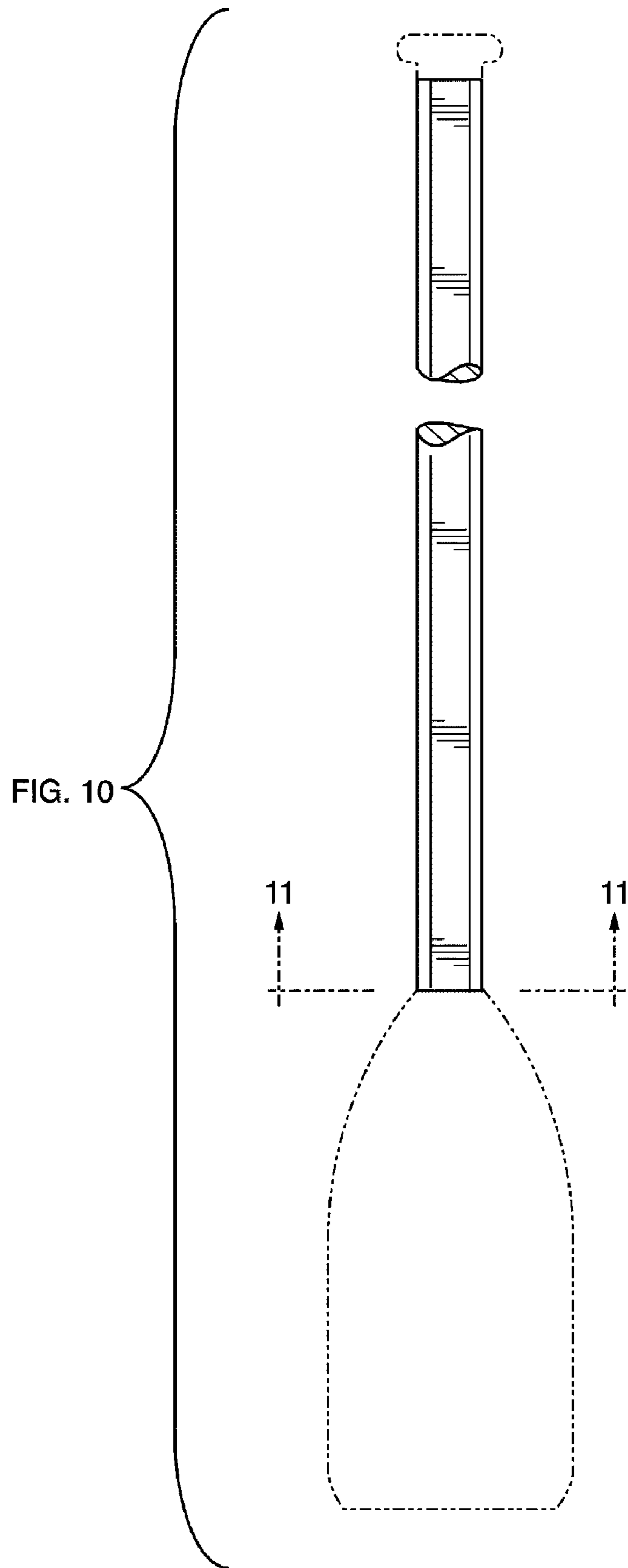


FIG. 11

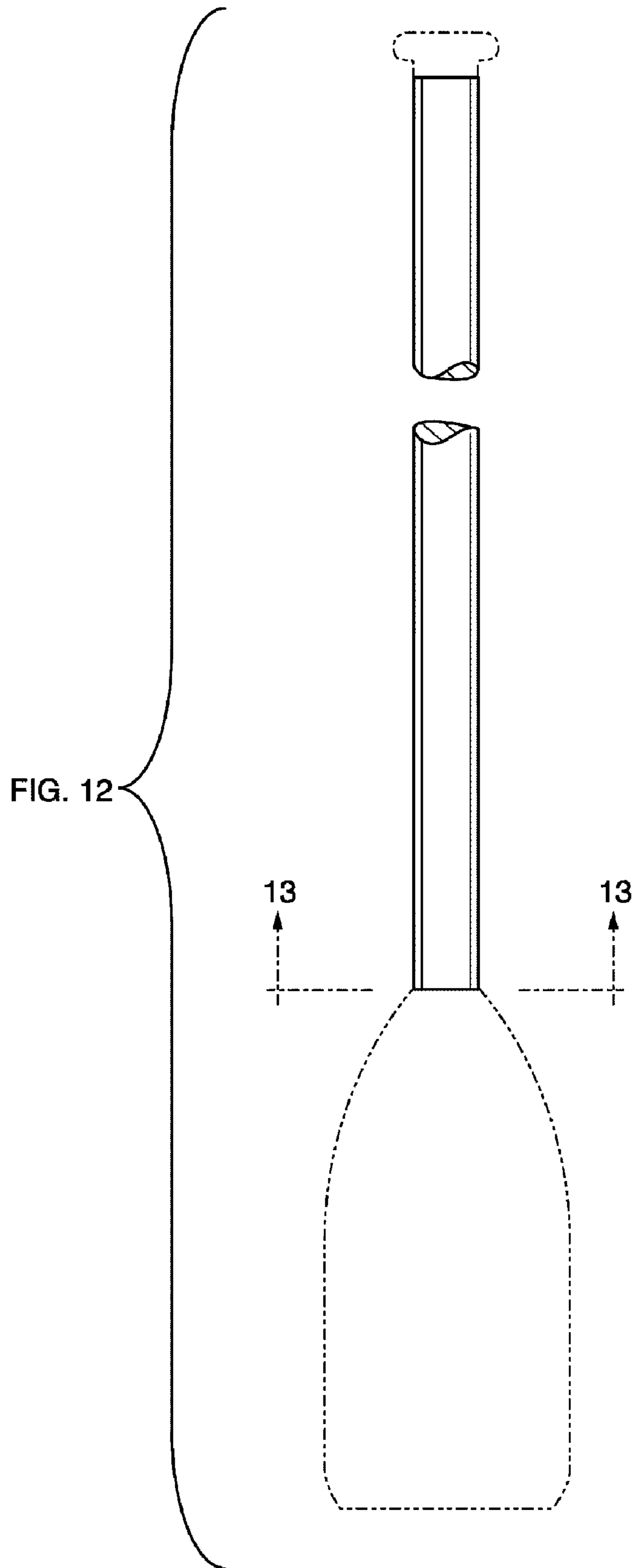


FIG. 13