



US00D649205S

(12) **United States Design Patent**
Zachary

(10) **Patent No.:** **US D649,205 S**

(45) **Date of Patent:** **** *Nov. 22, 2011**

(54) **ABDOMINAL EXERCISE MACHINE**

(75) **Inventor:** **Kyriacos Mark Zachary**, Frankford,
DE (US)

(73) **Assignee:** **Chesed Direct Holdings Ltd**, Ramsey
(IM)

(**) **Term:** **14 Years**

(21) **Appl. No.:** **29/354,275**

(22) **Filed:** **Jan. 21, 2010**

(51) **LOC (9) Cl.** **21-02**

(52) **U.S. Cl.** **D21/676; D21/687**

(58) **Field of Classification Search** D21/662,
D21/673-676, 679, 681, 687, 690-691; 482/135,
482/138, 140, 142

See application file for complete search history.

(56) **References Cited**

U.S. PATENT DOCUMENTS

D370,241	S	*	5/1996	Real	D21/690
D379,483	S	*	5/1997	England et al.	D21/676
D379,836	S	*	6/1997	Chen	D21/691
D380,517	S	*	7/1997	Ho	D21/691
D384,379	S	*	9/1997	Lin	D21/687
D385,930	S	*	11/1997	Chen	D21/687
D420,070	S	*	2/2000	Zarillo et al.	D21/687
6,022,303	A	*	2/2000	Abdo	482/140
6,022,304	A	*	2/2000	Tornabene et al.	482/140

6,390,960	B1	*	5/2002	Boland	482/140
D476,384	S	*	6/2003	Perez	D21/690
D478,137	S	*	8/2003	Ho et al.	D21/687
D496,701	S	*	9/2004	Chung	D21/687
D558,843	S	*	1/2008	Nardone	D21/687
D573,671	S	*	7/2008	Nardone	D21/687
2006/0100073	A1	*	5/2006	Ho	482/140
2006/0205575	A1	*	9/2006	Ho	482/140
2007/0099778	A1	*	5/2007	Ko	482/146
2007/0135281	A1	*	6/2007	Liao	482/140
2007/0281840	A1	*	12/2007	Tsai	482/140
2008/0058183	A1	*	3/2008	Younane et al.	482/140

* cited by examiner

Primary Examiner — Susan E Krakower

(57) **CLAIM**

The ornamental design for an abdominal exercise device, as shown and described.

DESCRIPTION

FIG. 1 is a rear view of an abdominal exercise machine device embodying the design.

FIG. 2 is a front view thereof.

FIG. 3 is a side view thereof.

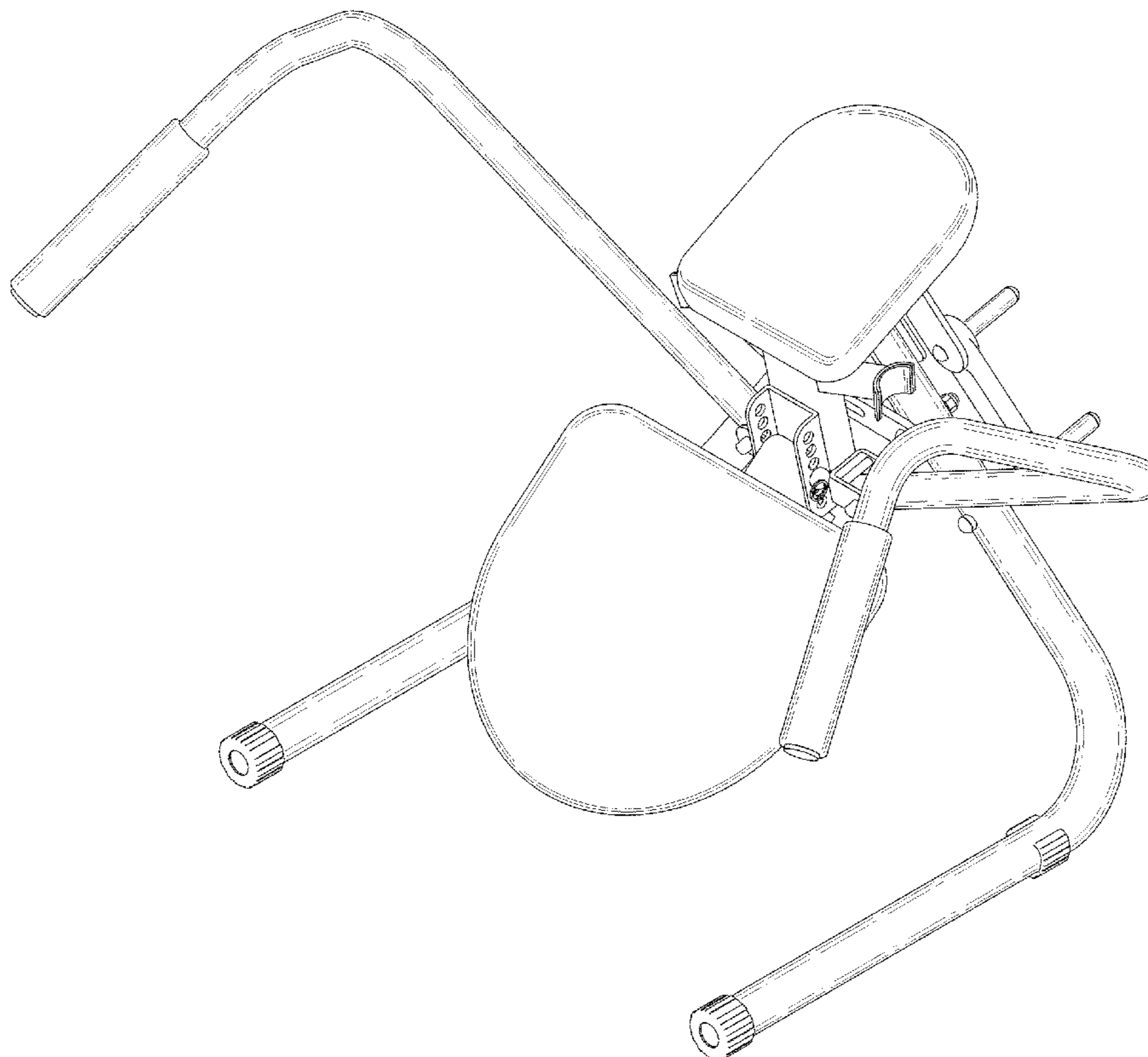
FIG. 4 is an opposite side view thereof;

FIG. 5 is a top view thereof.

FIG. 6 is a bottom view thereof; and,

FIG. 7 is a perspective view thereof.

1 Claim, 7 Drawing Sheets



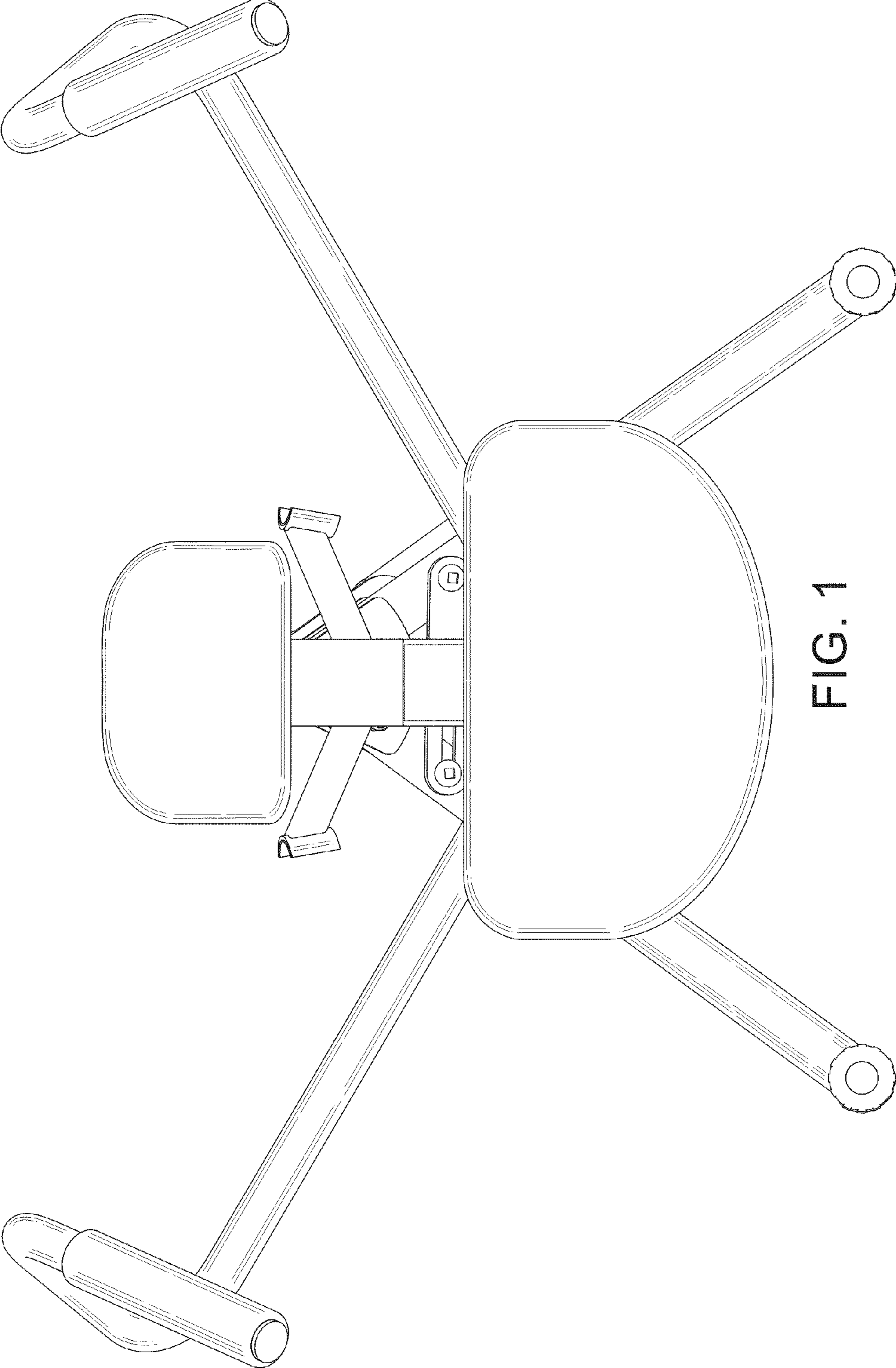


FIG. 1

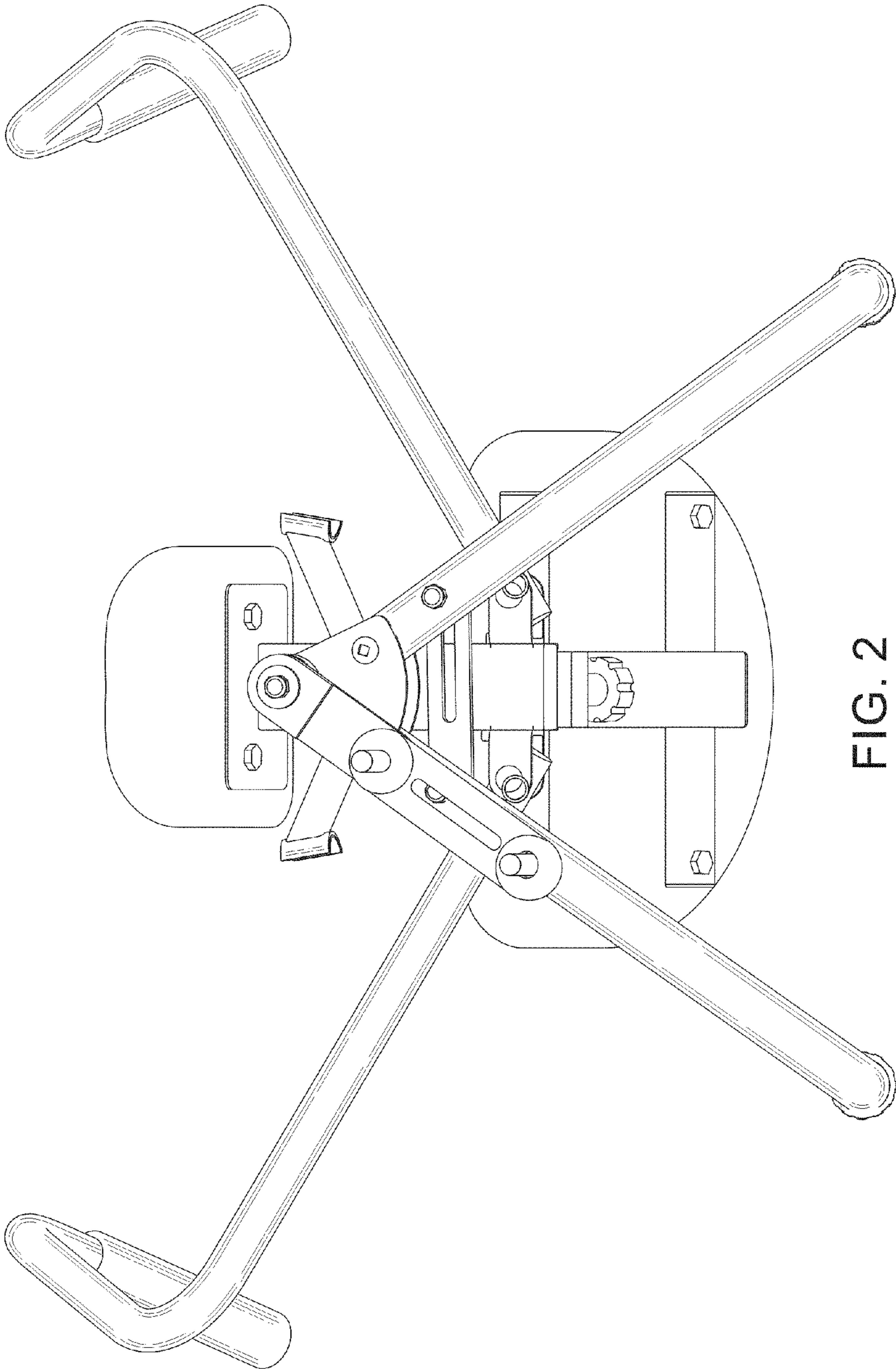


FIG. 2

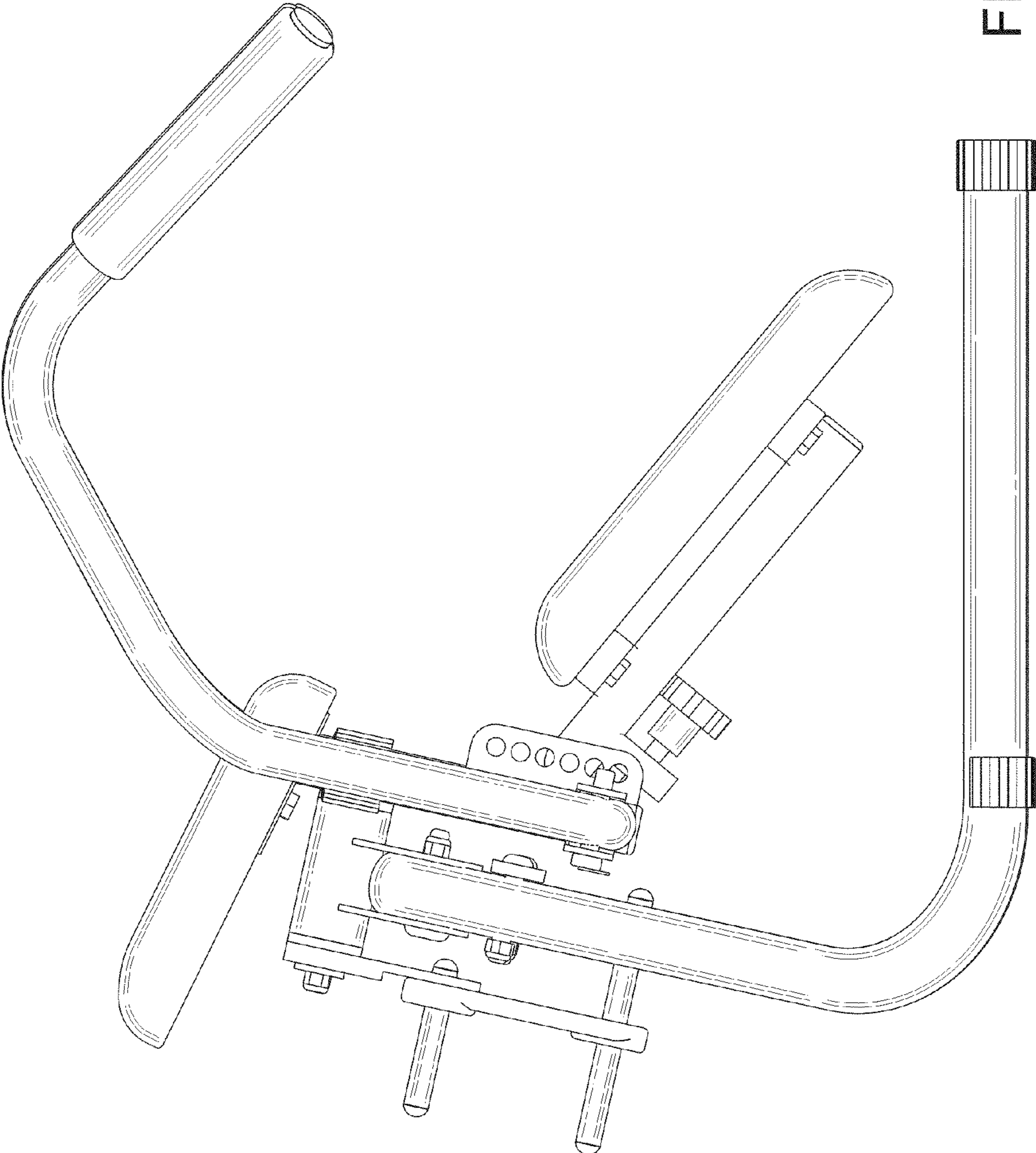


FIG. 3

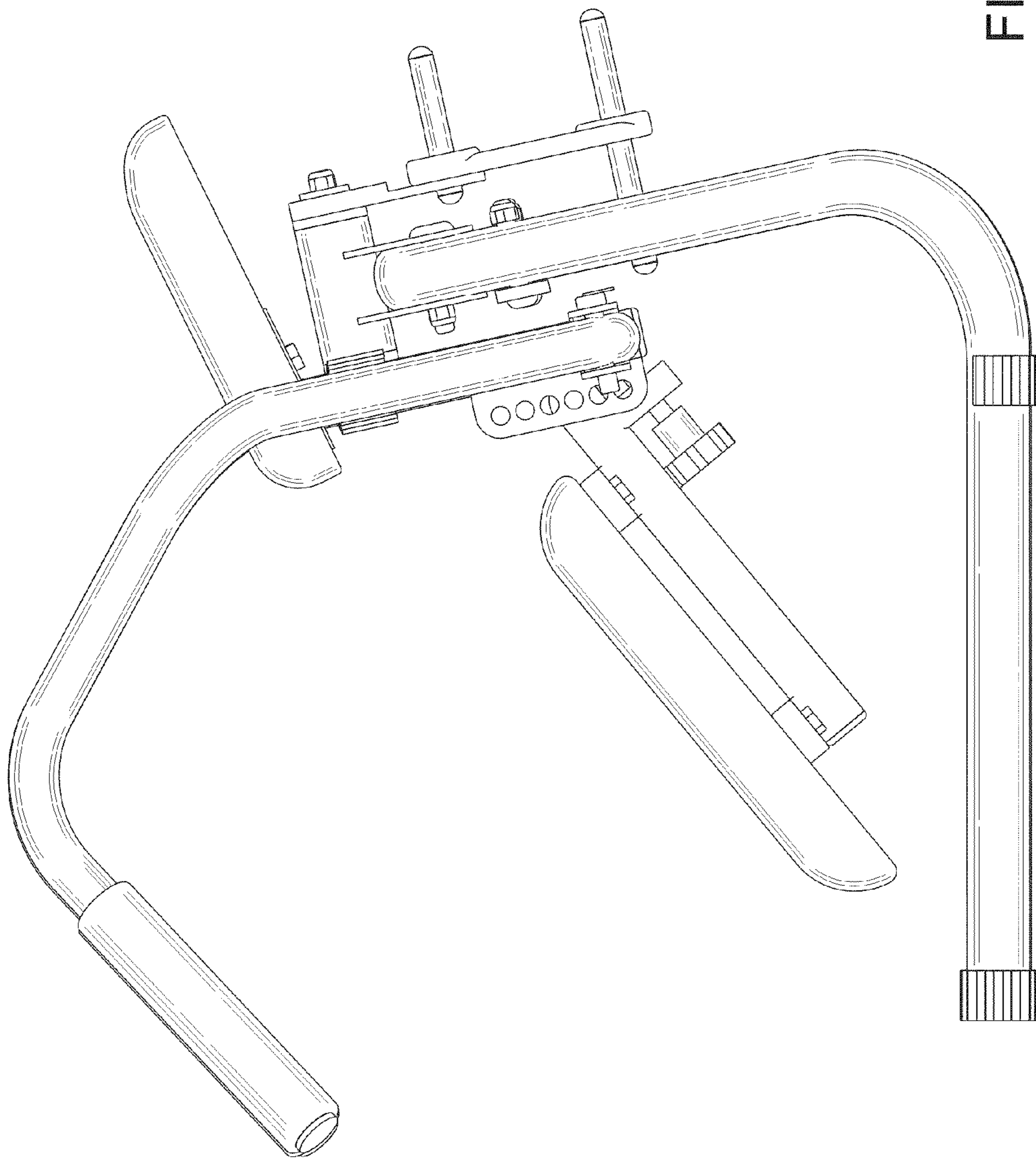


FIG. 4

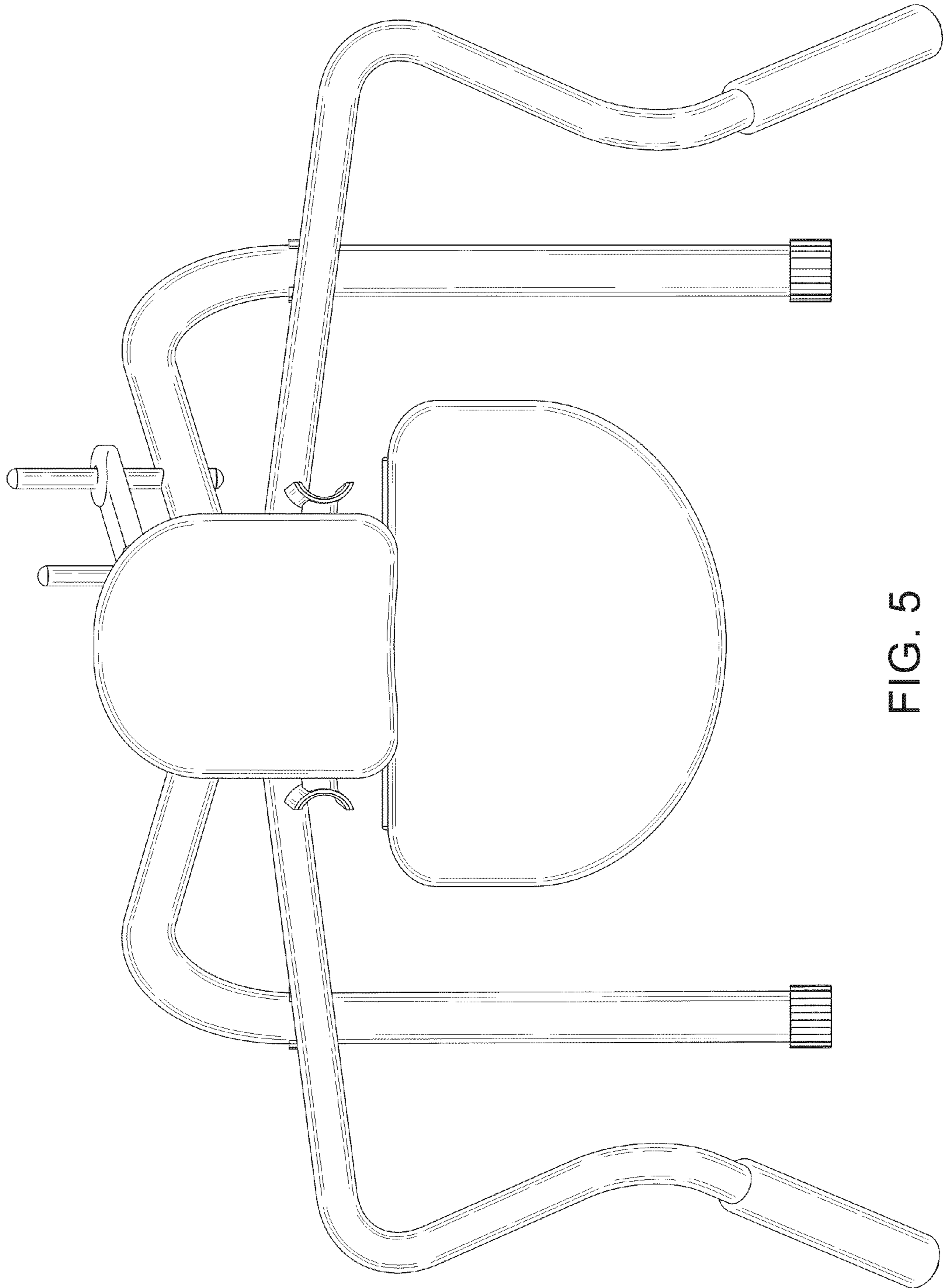


FIG. 5

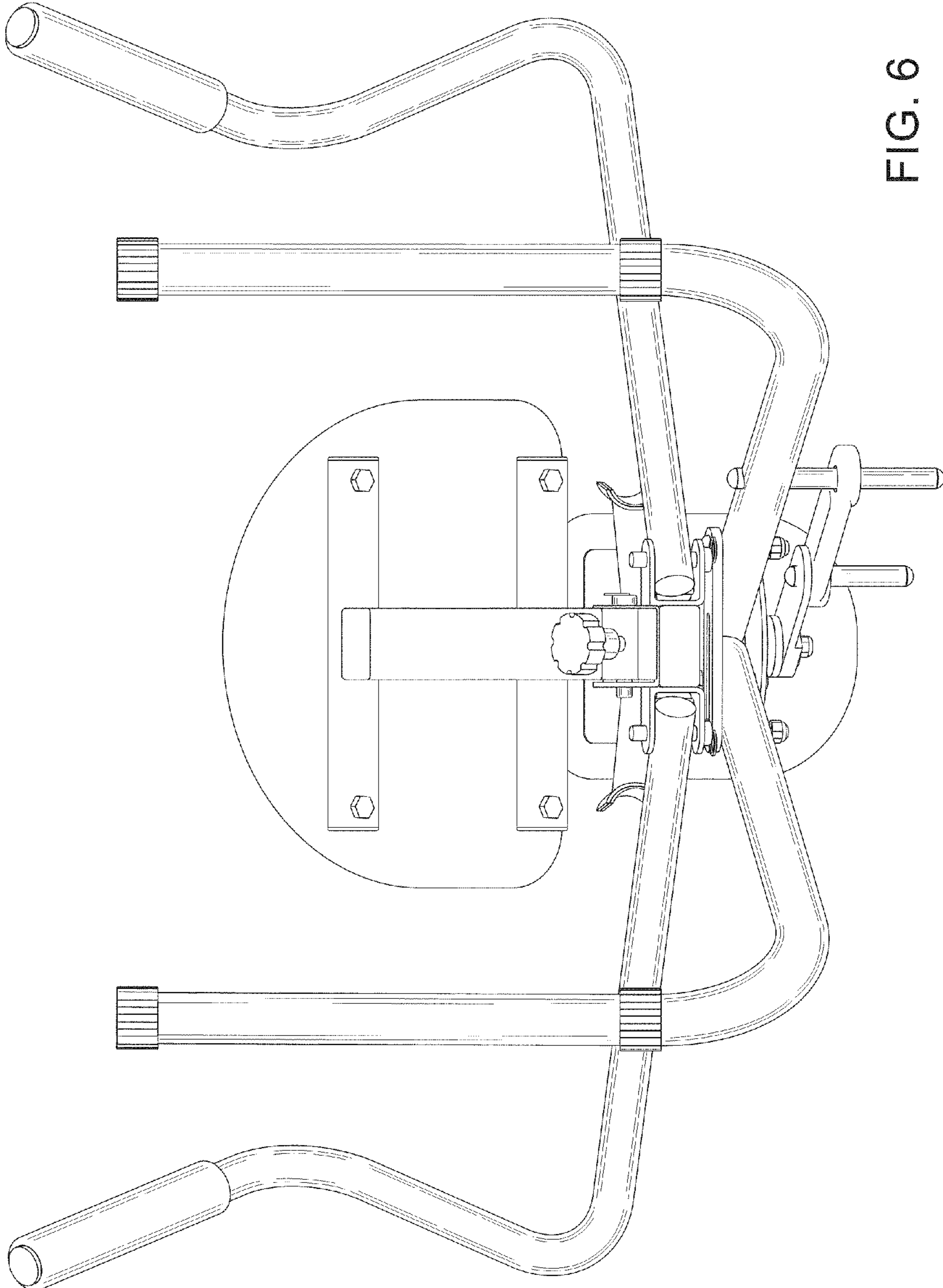


FIG. 6

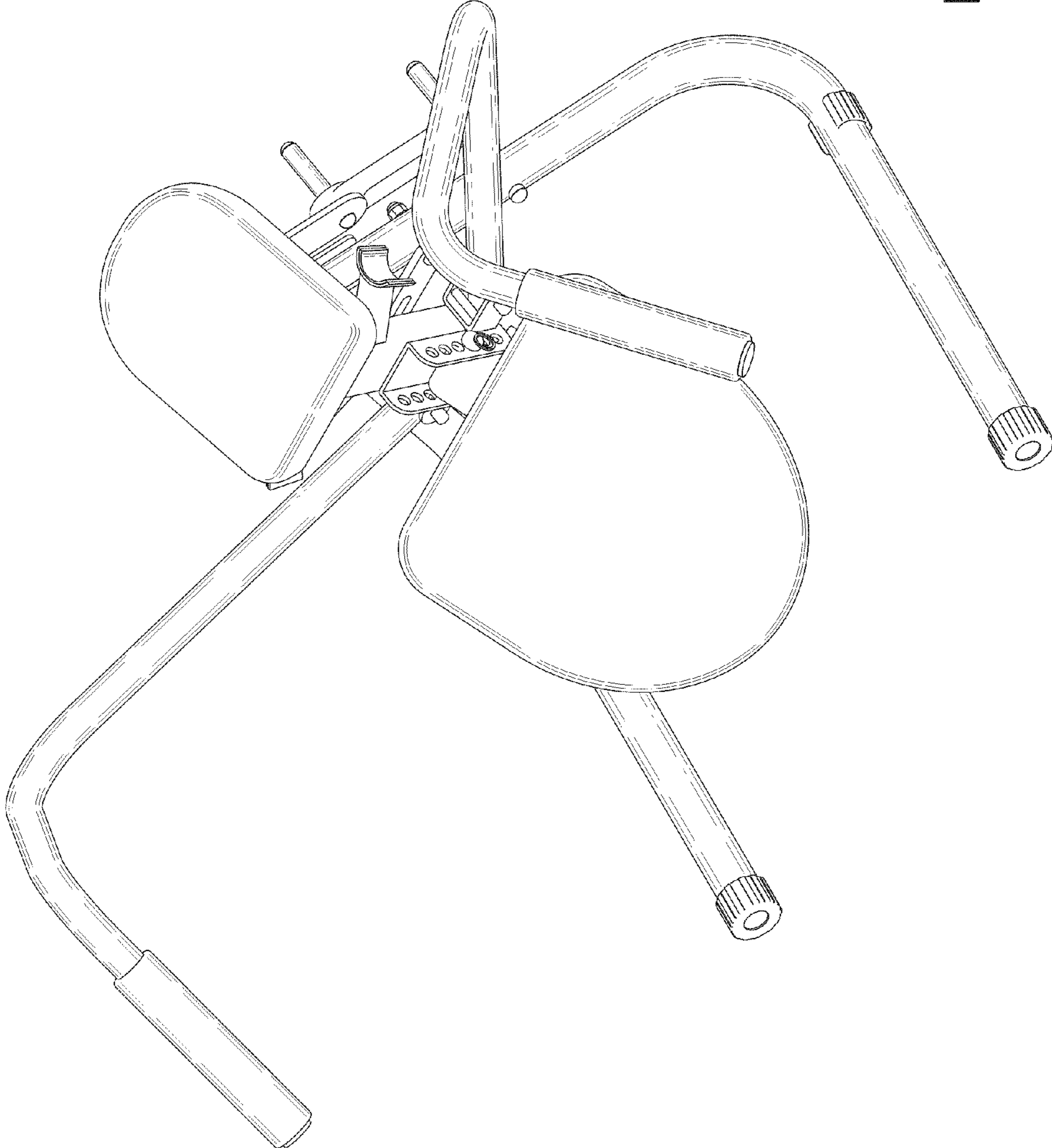


FIG. 7