



US00D649204S

(12) **United States Design Patent**  
**Zhang**

(10) **Patent No.:** **US D649,204 S**

(45) **Date of Patent:** **\*\* Nov. 22, 2011**

(54) **EXERCISE BICYCLE**

(76) Inventor: **Zhujiao Zhang**, Wuyi (CN)

(\*\*) Term: **14 Years**

(21) Appl. No.: **29/380,179**

(22) Filed: **Dec. 1, 2010**

(30) **Foreign Application Priority Data**

Jun. 4, 2010 (CN) ..... 2010 3 0192793

(51) **LOC (9) Cl.** ..... **21-02**

(52) **U.S. Cl.** ..... **D21/667**

(58) **Field of Classification Search** ..... D21/662-670,  
D21/694, 697; 482/51-52, 57-65; 280/266,  
280/282, 284, 288.1, 288.3, 304.4, 835; D12/111  
See application file for complete search history.

(56) **References Cited**

**U.S. PATENT DOCUMENTS**

3,833,216	A *	9/1974	Philbin	.....	482/64
4,079,931	A *	3/1978	Valentine et al.	.....	482/65
D275,589	S *	9/1984	Gustafsson	.....	D21/667
D296,457	S *	6/1988	Anitua	.....	D21/667
5,393,281	A *	2/1995	Chen	.....	482/57
D372,284	S *	7/1996	Wang et al.	.....	D21/667
D380,796	S *	7/1997	Wang et al.	.....	D21/667
D382,925	S *	8/1997	Wu	.....	D21/667
5,961,424	A *	10/1999	Warner et al.	.....	482/63

D460,794	S *	7/2002	Baker	.....	D21/667
D473,602	S *	4/2003	Baudhuin et al.	.....	D21/697
6,557,679	B1 *	5/2003	Warner et al.	.....	192/17 D
6,612,970	B2 *	9/2003	Forcillo	.....	482/57
7,172,532	B2 *	2/2007	Baker	.....	482/57
D571,417	S *	6/2008	Su	.....	D21/667
D579,989	S *	11/2008	Bingham et al.	.....	D21/667
7,544,154	B2 *	6/2009	Corbalis et al.	.....	482/57
D616,050	S *	5/2010	Lull	.....	D21/667
D625,762	S *	10/2010	Fon	.....	D21/667
D636,449	S *	4/2011	Wu	.....	D21/667

\* cited by examiner

*Primary Examiner* — Susan E Krakower

(74) *Attorney, Agent, or Firm* — Jacobson Holman PLLC

(57) **CLAIM**

The ornamental design for an exercise bicycle, as shown and described.

**DESCRIPTION**

FIG. 1 is a perspective view of an exercise bicycle showing my new design;

FIG. 2 is a front elevational view thereof;

FIG. 3 is a rear elevational view thereof;

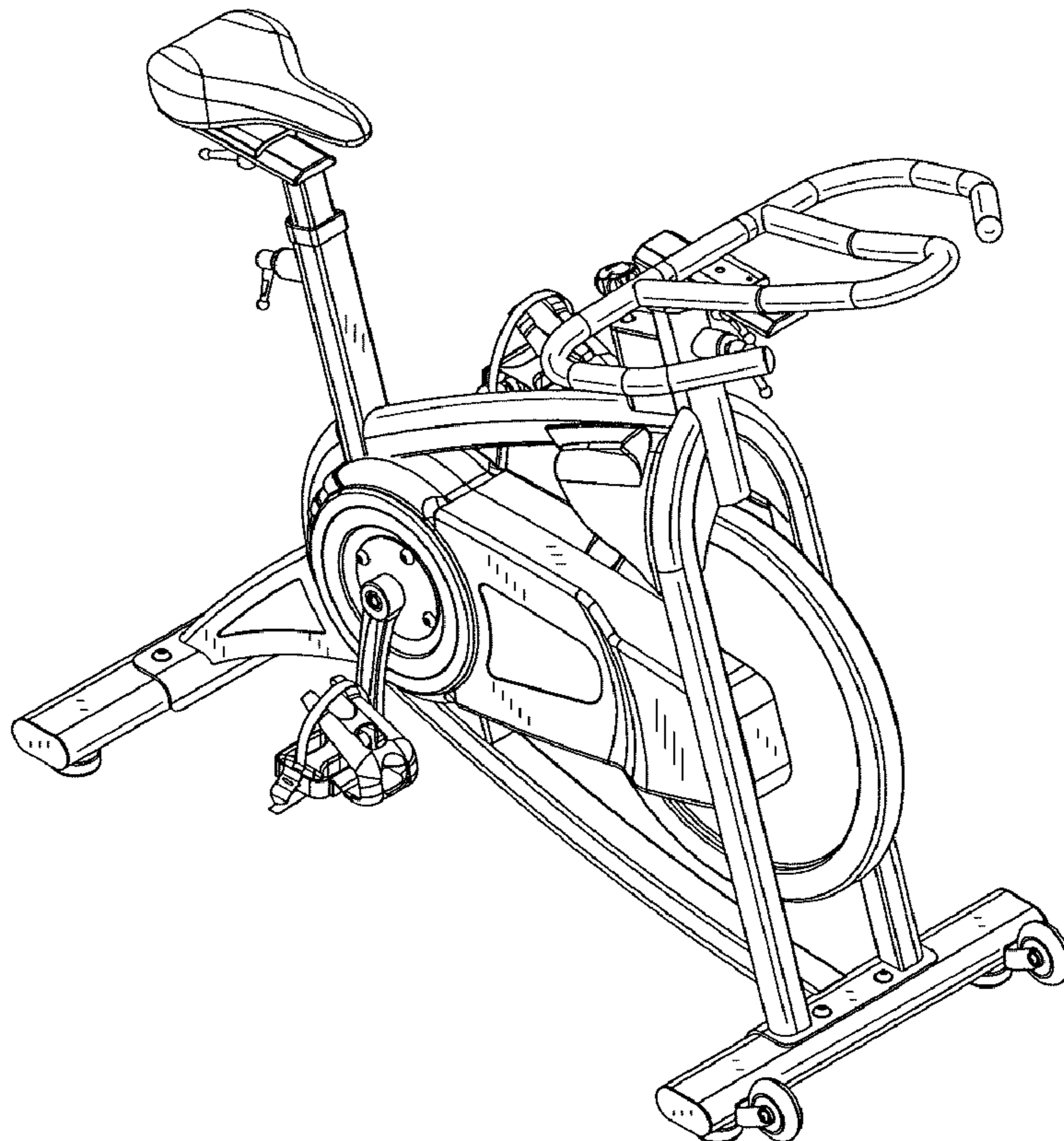
FIG. 4 is a right side elevational view thereof;

FIG. 5 is a left side elevational view thereof;

FIG. 6 is a bottom plan view thereof; and,

FIG. 7 is a top plan view thereof.

**1 Claim, 4 Drawing Sheets**



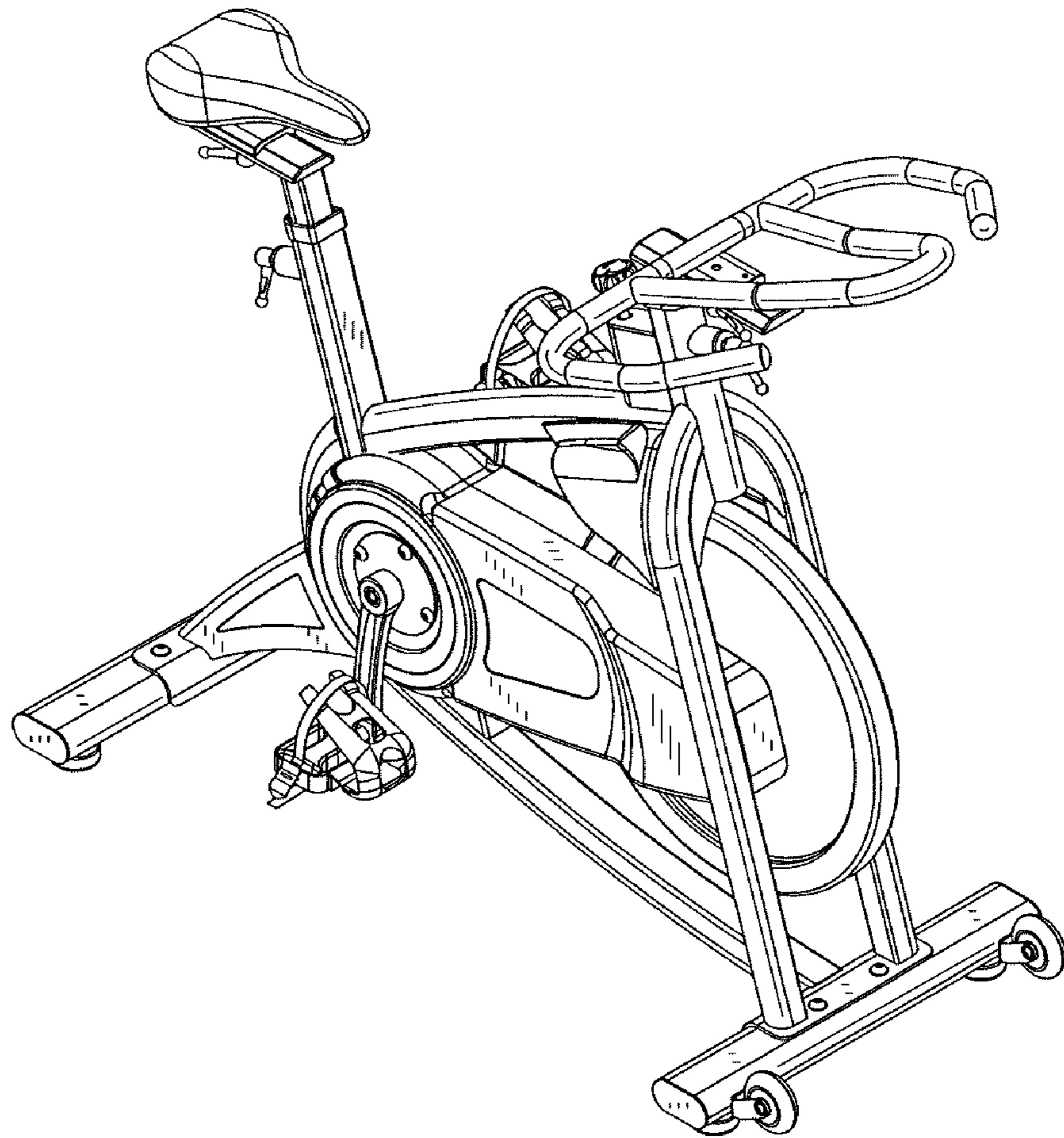


FIG. 1

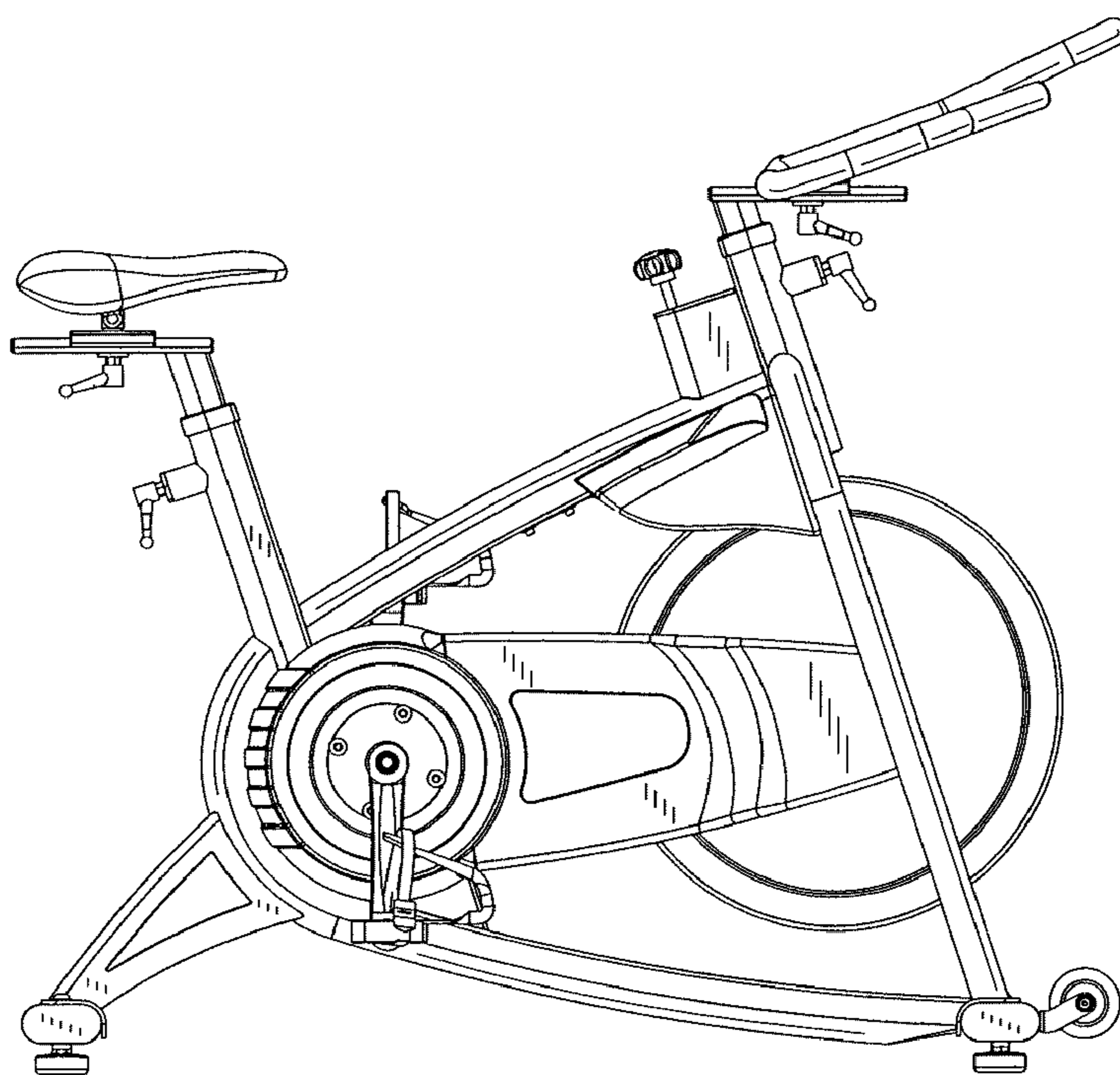


FIG. 2

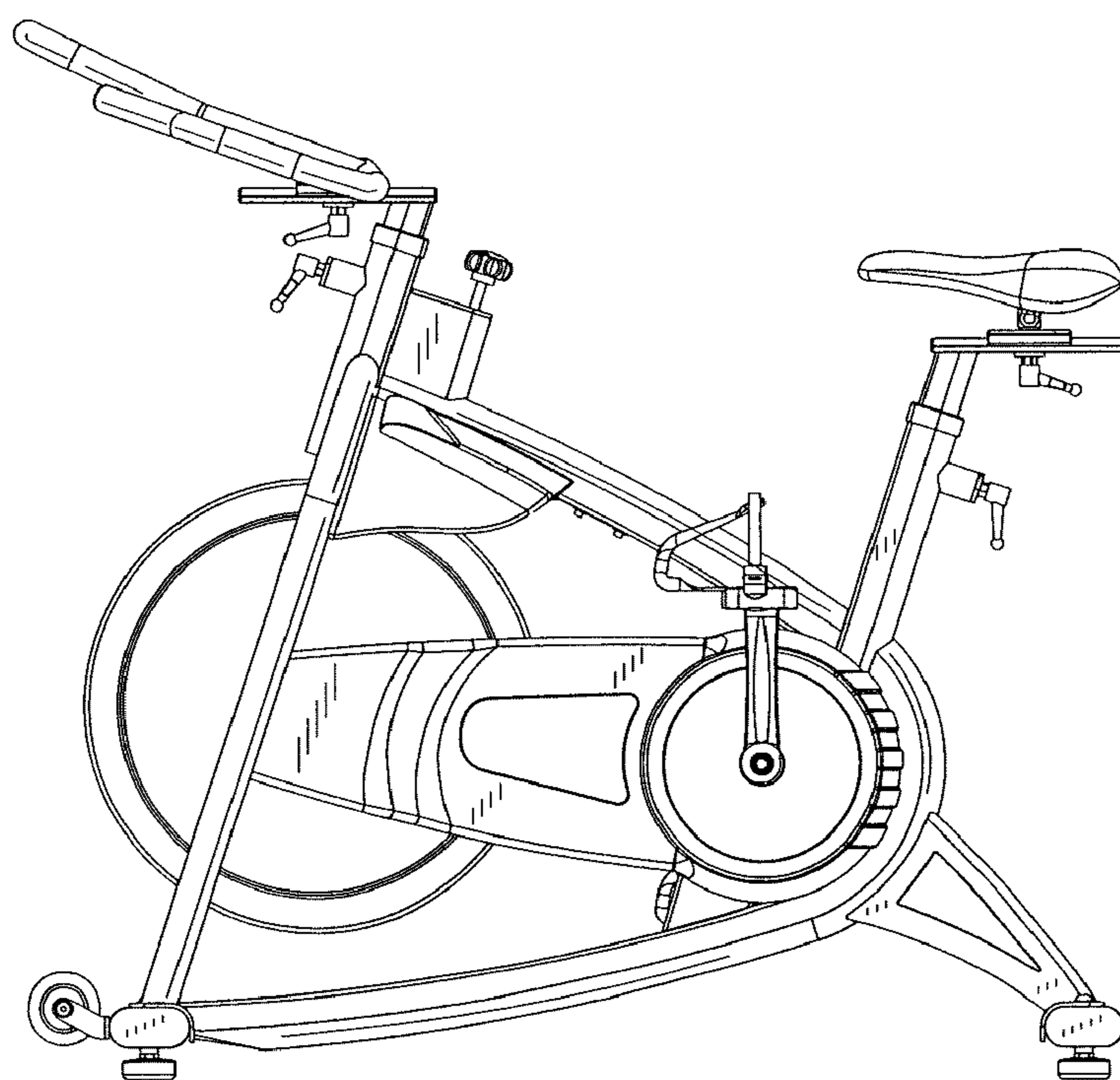


FIG. 3



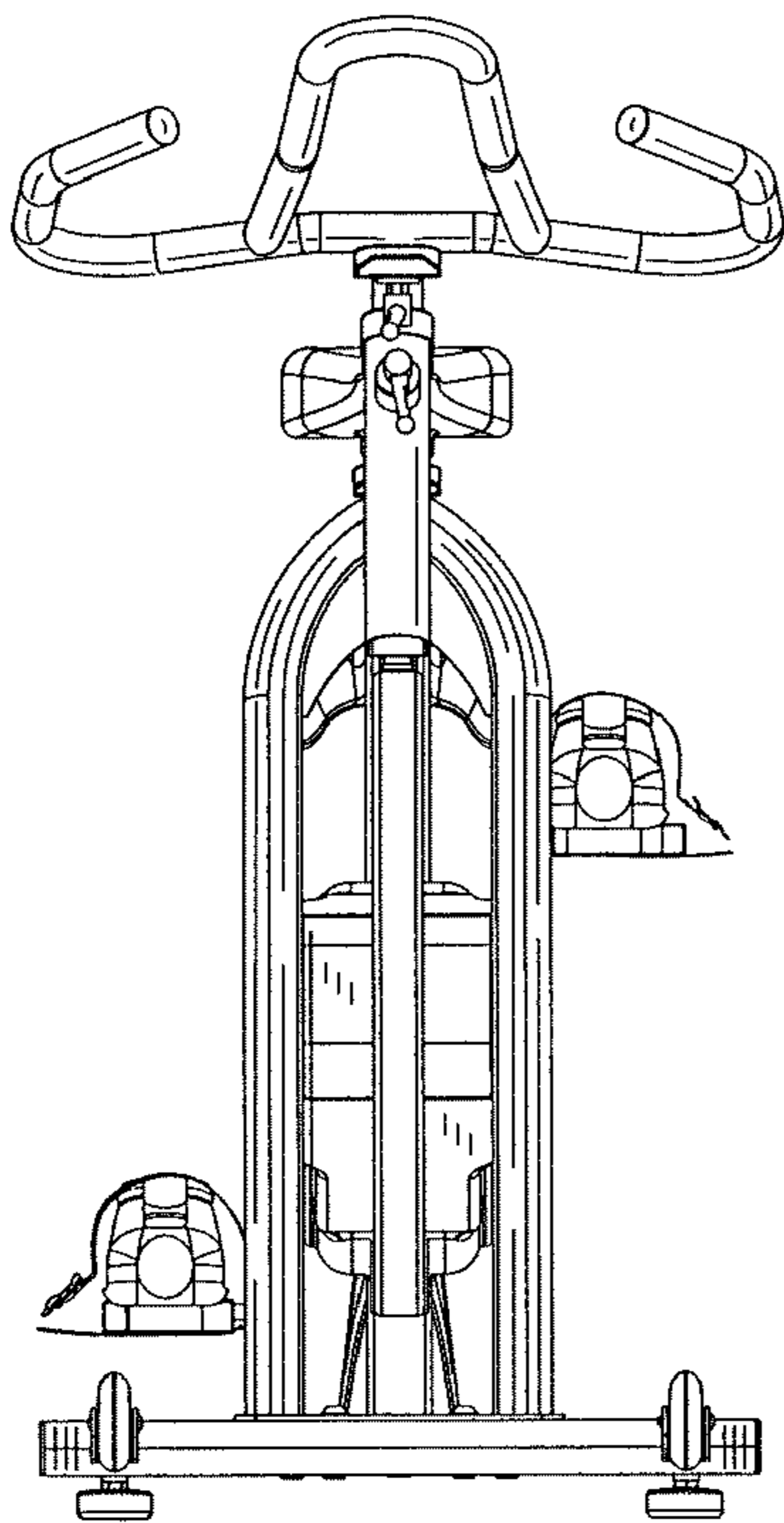


FIG. 4

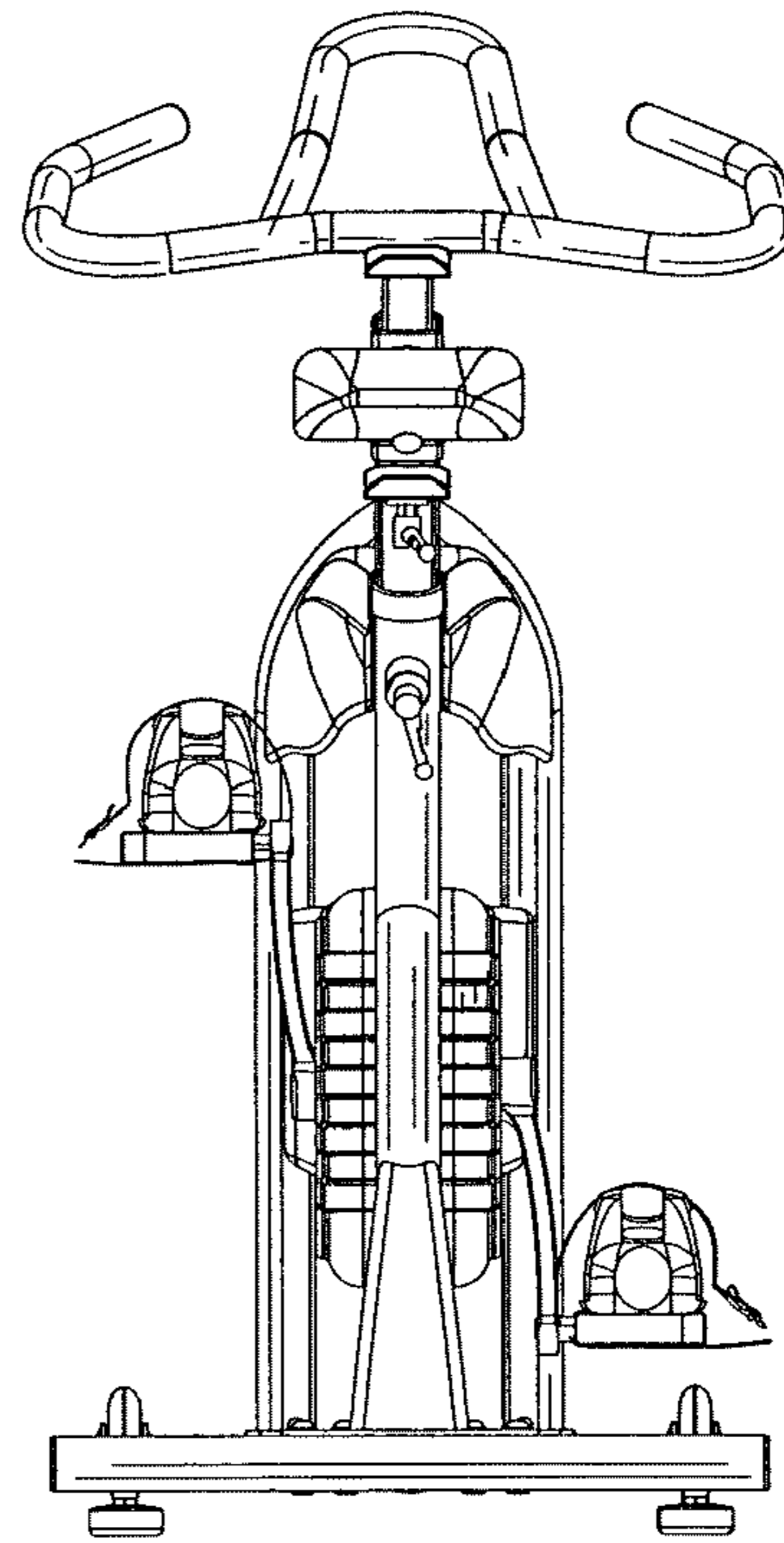


FIG. 5

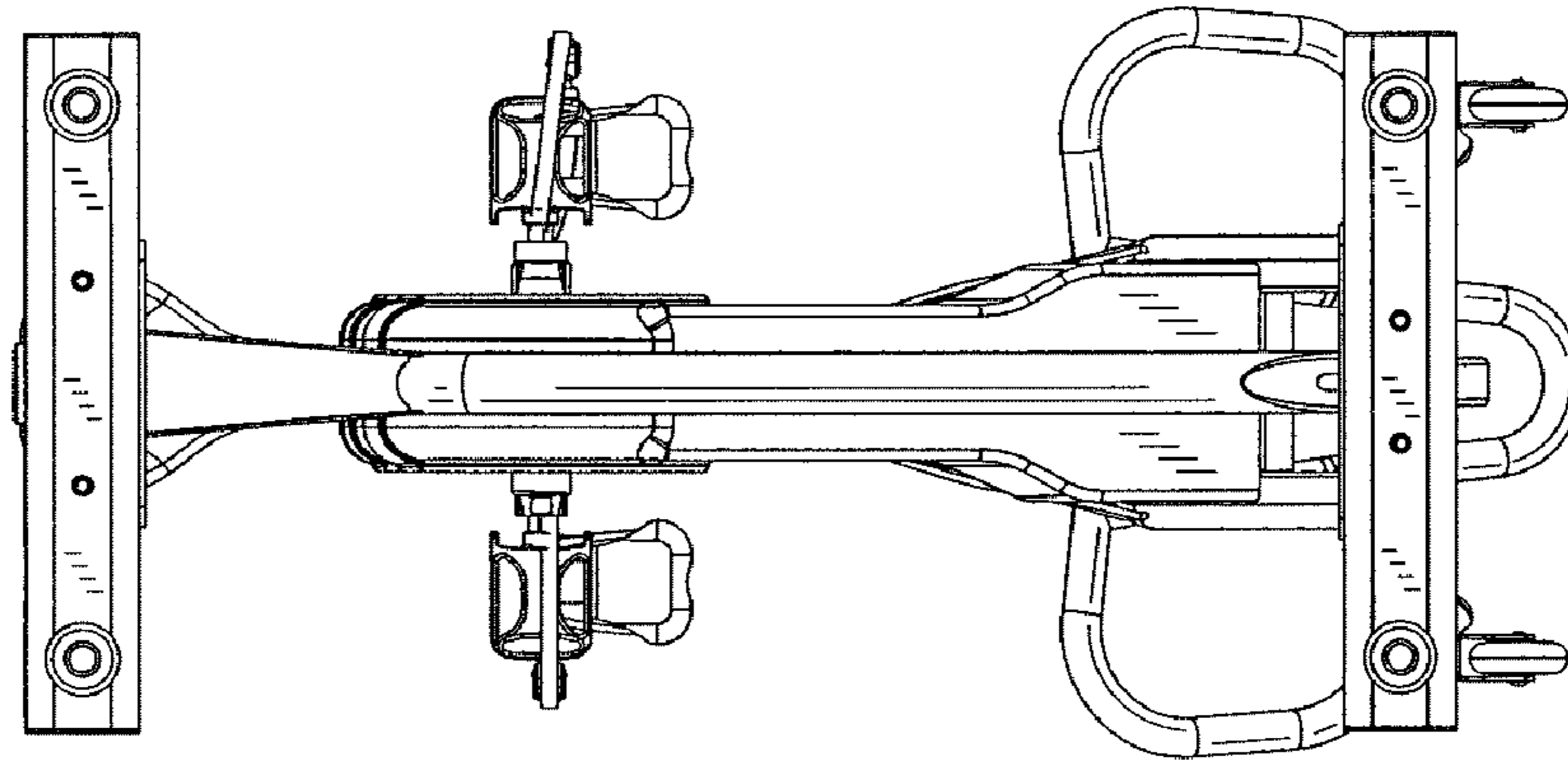


FIG. 6

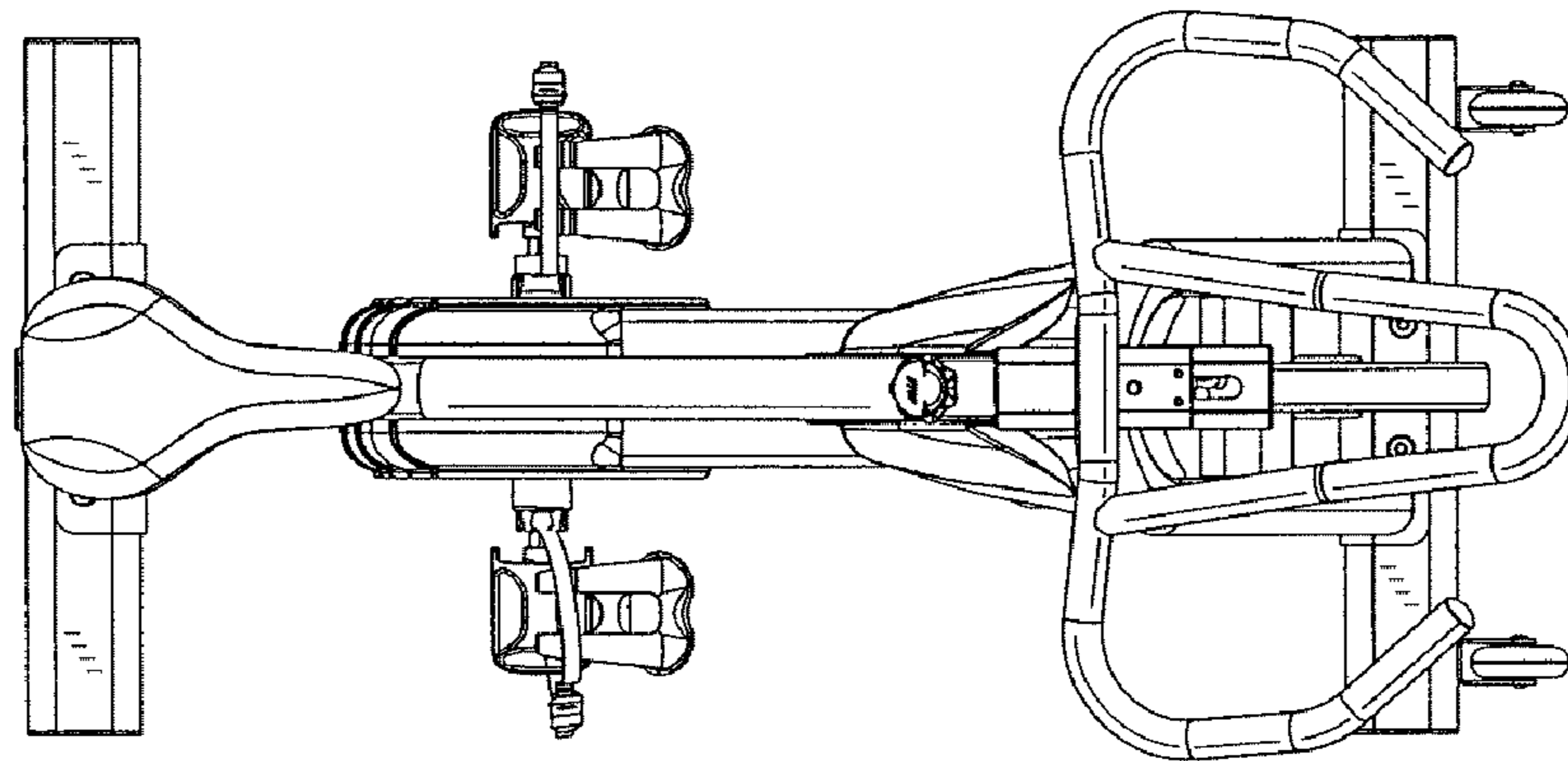


FIG. 7