



US00D649202S

(12) **United States Design Patent**  
**En**

(10) **Patent No.:** **US D649,202 S**

(45) **Date of Patent:** **\*\* Nov. 22, 2011**

(54) **COMPACT MODULAR TACTICAL AIRSOFT  
BB RIFLE**

(75) Inventor: **David En**, South El Monte, CA (US)

(73) Assignee: **Jag Precision, Inc.**, South El Monte, CA  
(US)

(\*\*) Term: **14 Years**

(21) Appl. No.: **29/315,291**

(22) Filed: **Jun. 11, 2009**

(51) **LOC (9) Cl.** ..... **21-01**

(52) **U.S. Cl.** ..... **D21/573**

(58) **Field of Classification Search** ..... D21/333,  
D21/401, 461, 514, 567, 568, 570-575; D22/100,  
D22/101, 103, 104, 105, 108-110; D14/418;  
446/23, 182, 192, 401, 403, 405-407, 473,  
446/475; 124/16, 26, 27, 28, 29, 54, 73-77;  
222/78, 79; 42/54, 57, 58, 71.01, 72, 105,  
42/124

See application file for complete search history.

(56) **References Cited**

U.S. PATENT DOCUMENTS

D199,854 S *	12/1964	Constan	.....	D21/573
D201,190 S *	5/1965	Constan	.....	D21/573
D201,366 S *	6/1965	Chambers et al.	.....	D22/103
D205,231 S *	7/1966	Blumenthal	.....	D21/573
D208,558 S *	9/1967	Campbell	.....	D21/514
D251,979 S *	5/1979	Hance	.....	D22/103
D285,327 S *	8/1986	Yano	.....	D21/573
D290,153 S *	6/1987	Reaume	.....	D22/100
D303,130 S *	8/1989	Noble	.....	D21/573
D303,418 S *	9/1989	Miller et al.	.....	D22/103
D303,419 S *	9/1989	Miller et al.	.....	D22/104
D344,108 S *	2/1994	Shirai et al.	.....	D21/573
D354,999 S *	1/1995	Arad	.....	D21/573
D355,224 S *	2/1995	Arad et al.	.....	D21/570
D385,586 S *	10/1997	Hanatani et al.	.....	D21/573
6,499,245 B1 *	12/2002	Swan	.....	42/71.01

6,839,998 B1 *	1/2005	Armstrong	.....	42/71.01
6,895,708 B2 *	5/2005	Kim et al.	.....	42/72
D516,660 S *	3/2006	Murello et al.	.....	D22/103
D532,836 S *	11/2006	Shih	.....	D21/573
7,216,451 B1 *	5/2007	Troy	.....	42/72
D547,818 S *	7/2007	Wolfe	.....	D22/103
D556,289 S *	11/2007	Yu	.....	D22/108
2001/0042334 A1 *	11/2001	Weichert et al.	.....	42/105
2005/0000142 A1 *	1/2005	Kim et al.	.....	42/124
2005/0075044 A1 *	4/2005	Cheng et al.	.....	446/475

\* cited by examiner

*Primary Examiner* — Cynthia M Chin

(74) *Attorney, Agent, or Firm* — Thomas I. Rozsa

(57) **CLAIM**

The ornamental design for a compact modular tactical airsoft BB rifle, as shown and described.

**DESCRIPTION**

FIG. 1 is a side perspective view of the compact modular tactical airsoft BB rifle, showing my design, with no cartridge installed, and portions of the article shown in broken lines form no part of the claimed design;

FIG. 2 is a right side view thereof, and portions of the article shown in broken lines form no part of the claimed design;

FIG. 3 is a left side view thereof, and portions of the article shown in broken lines form no part of the claimed design;

FIG. 4 is a top view thereof;

FIG. 5 is a bottom view thereof, and portions of the article shown in broken lines form no part of the claimed design;

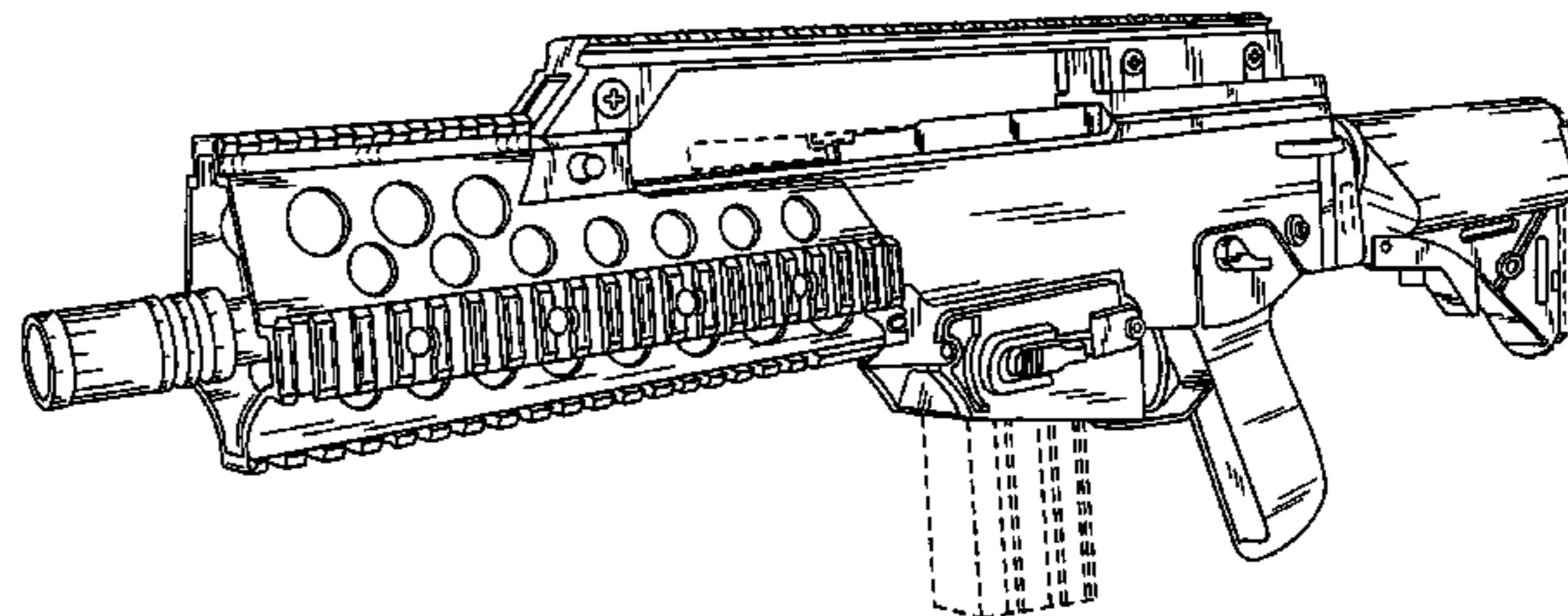
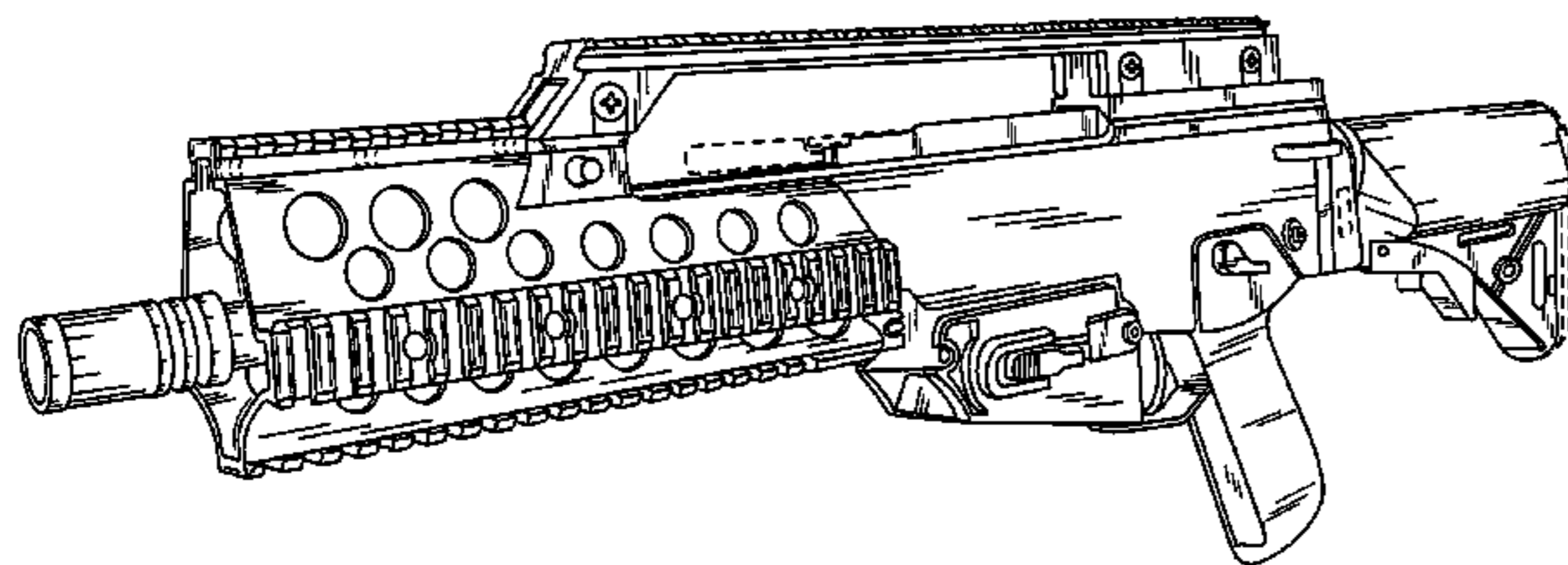
FIG. 6 is a front view thereof;

FIG. 7 is a rear view thereof;

FIG. 8 is a side perspective view with a straight cartridge installed, and portions of the article shown in broken lines form no part of the claimed design; and,

FIG. 9 is a side perspective view with an arcuate cartridge installed, and portions of the article shown in broken lines form no part of the claimed design.

**1 Claim, 8 Drawing Sheets**



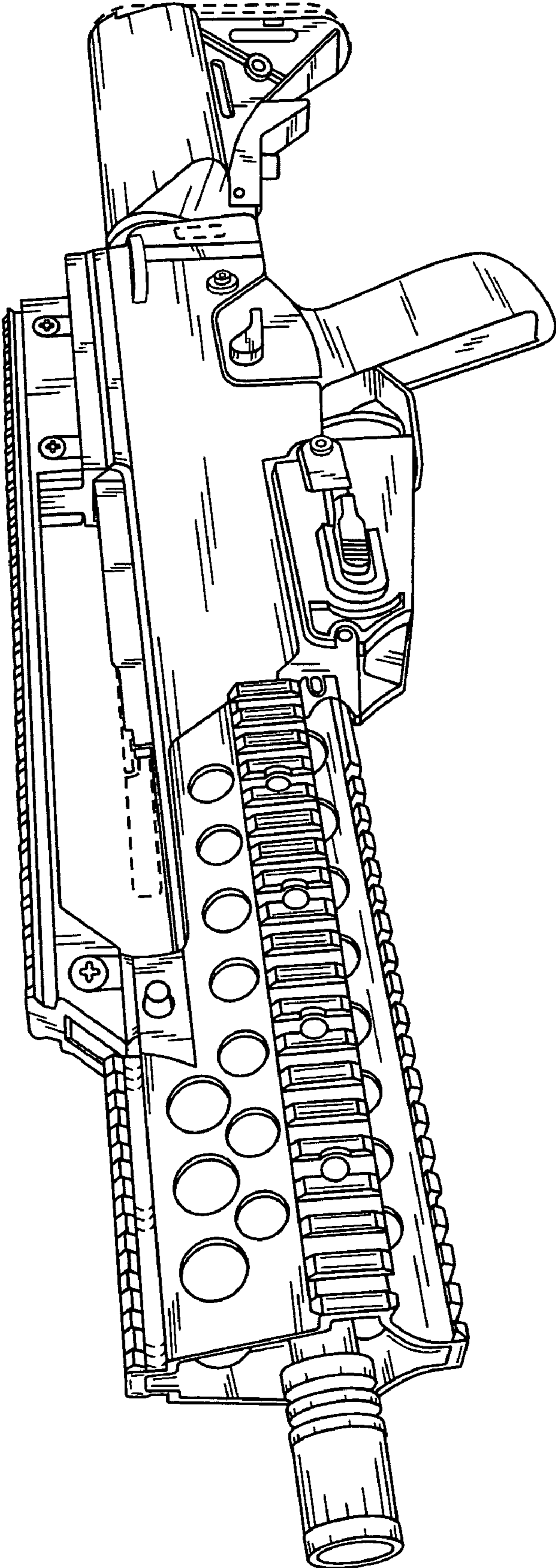


FIG. 1

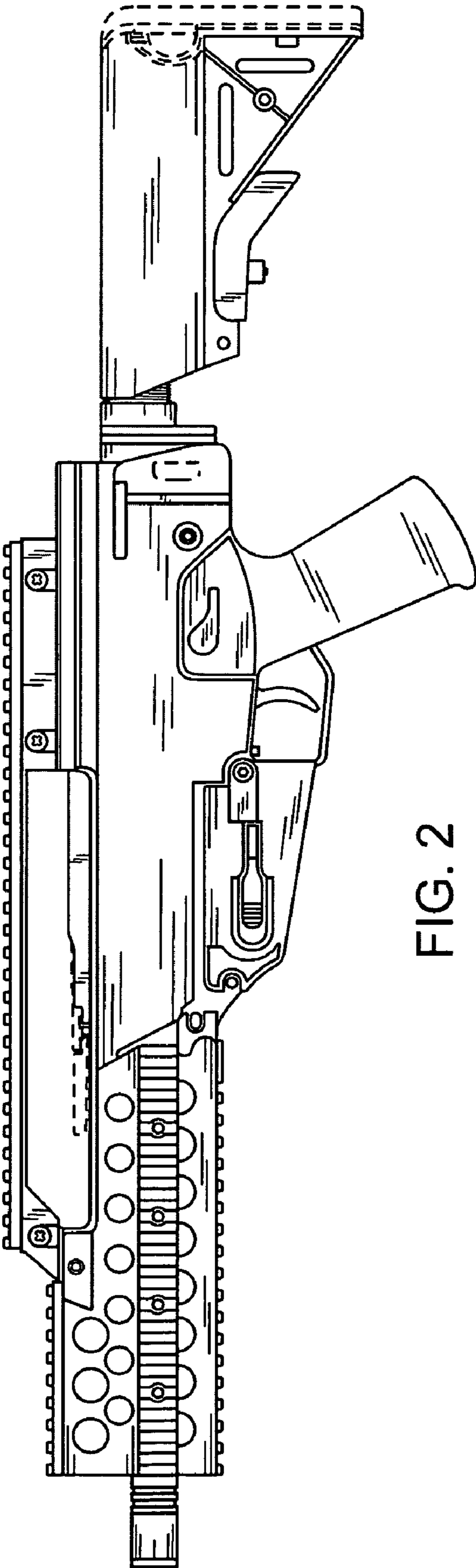


FIG. 2

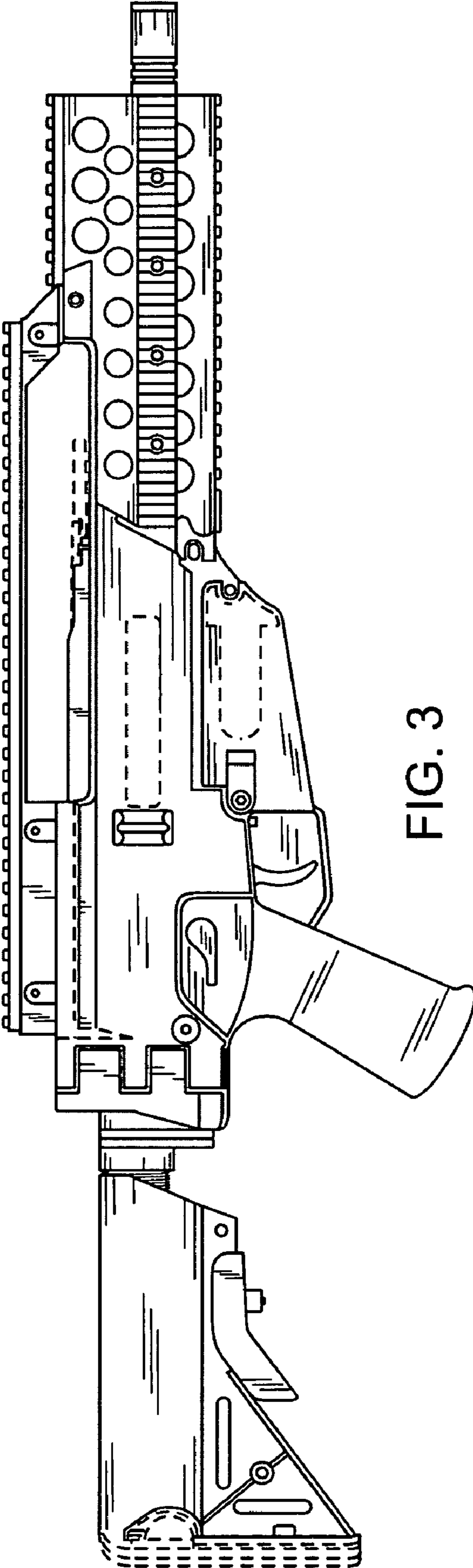


FIG. 3

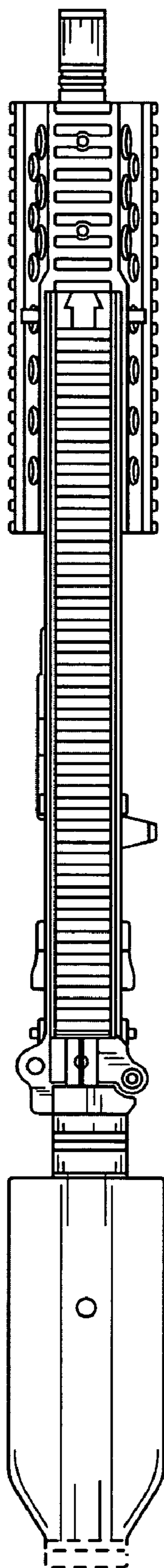


FIG. 4

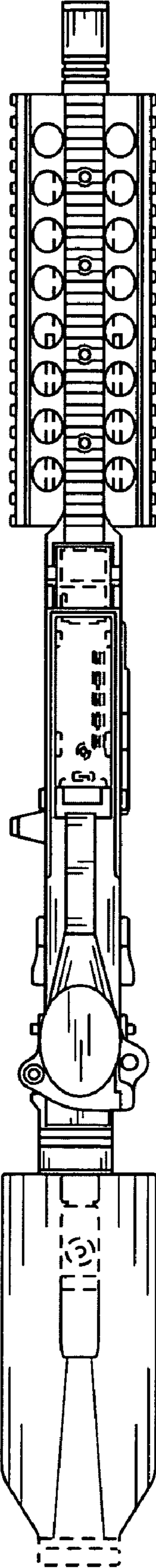


FIG. 5

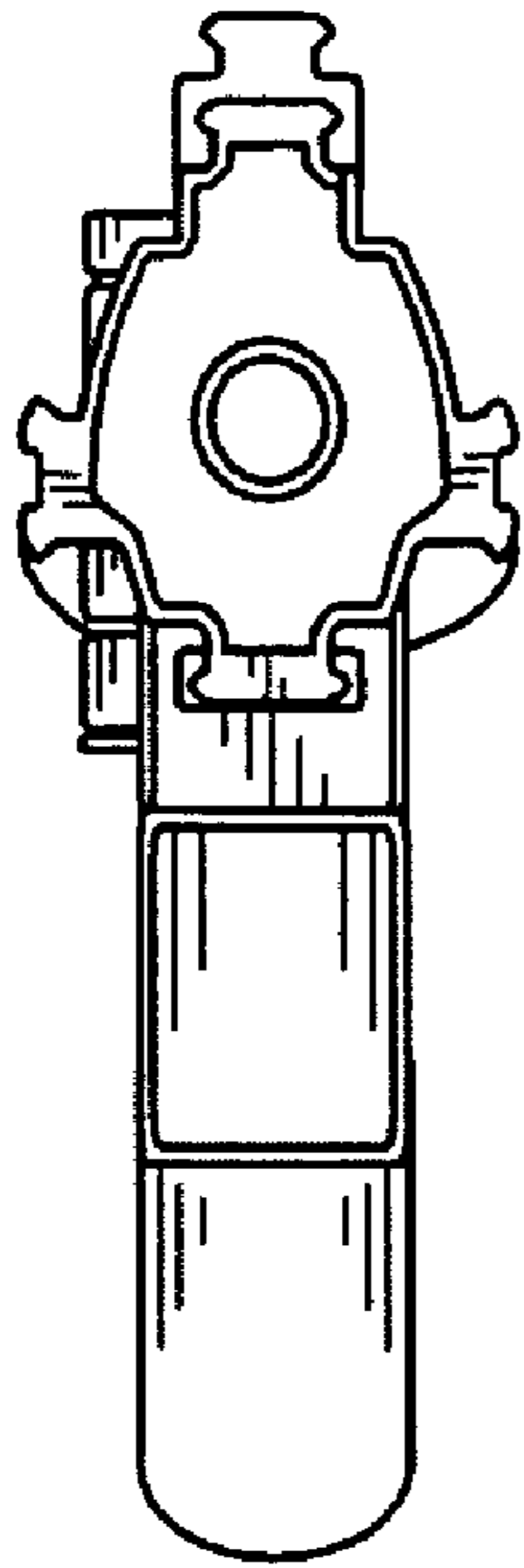


FIG. 6

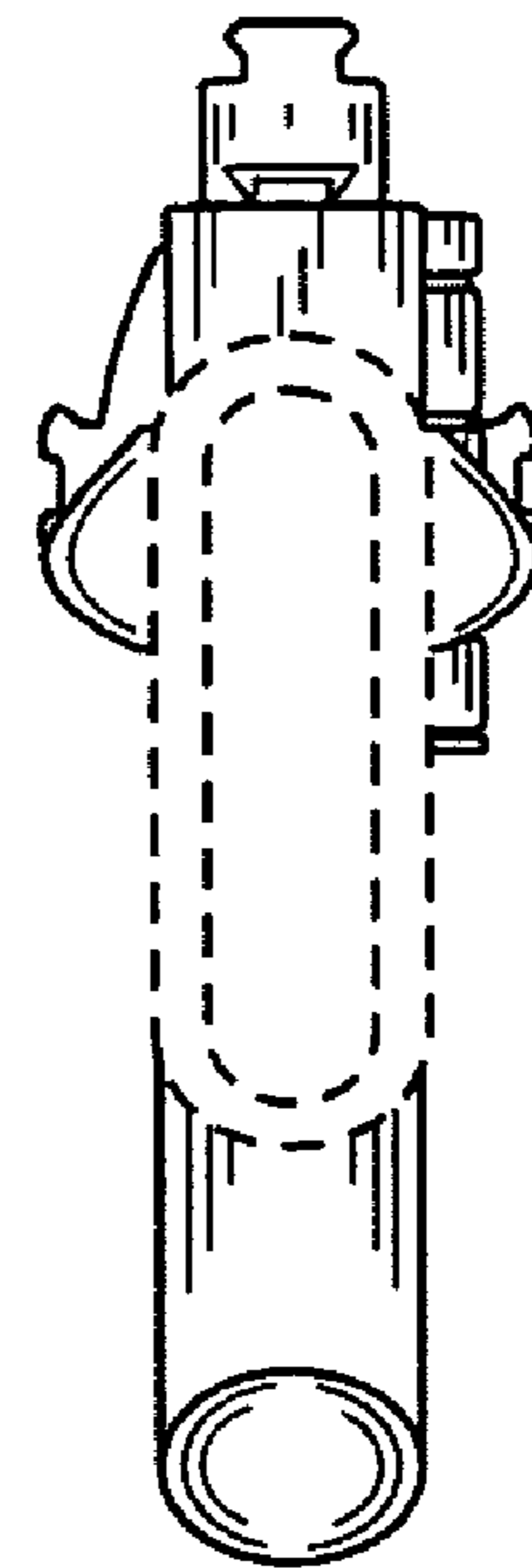


FIG. 7

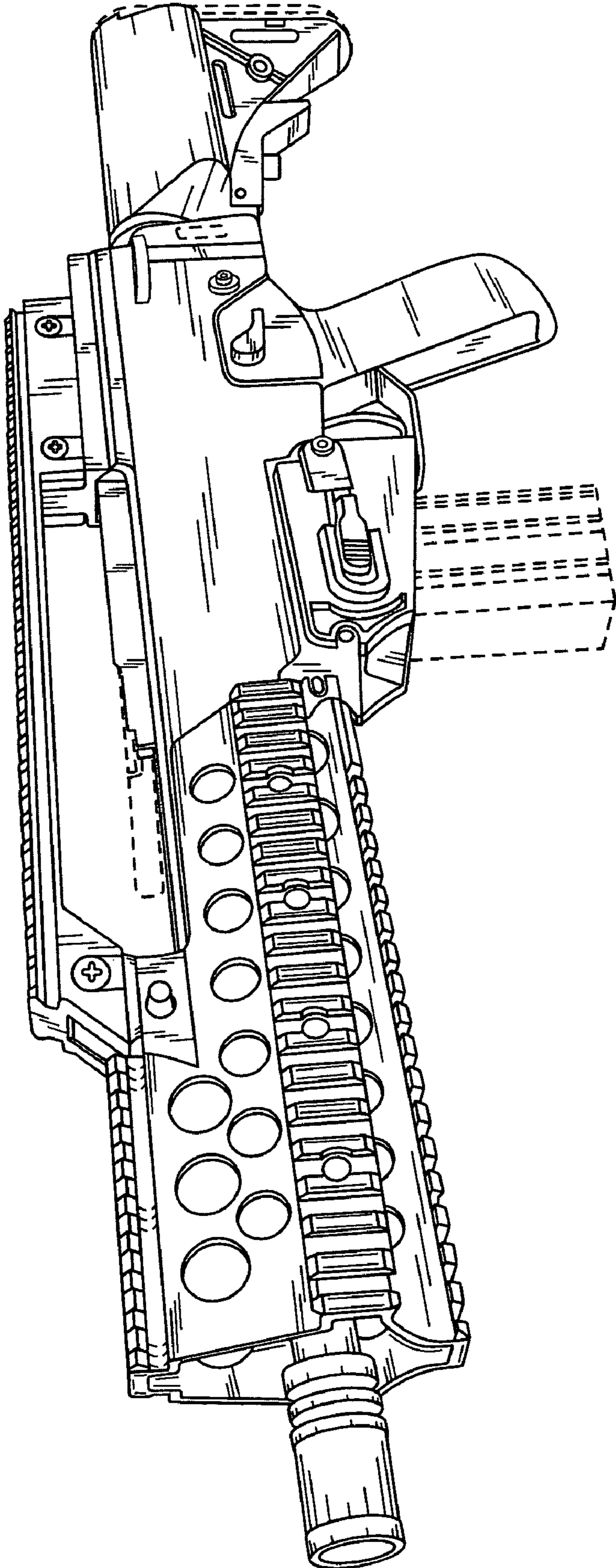


FIG. 8



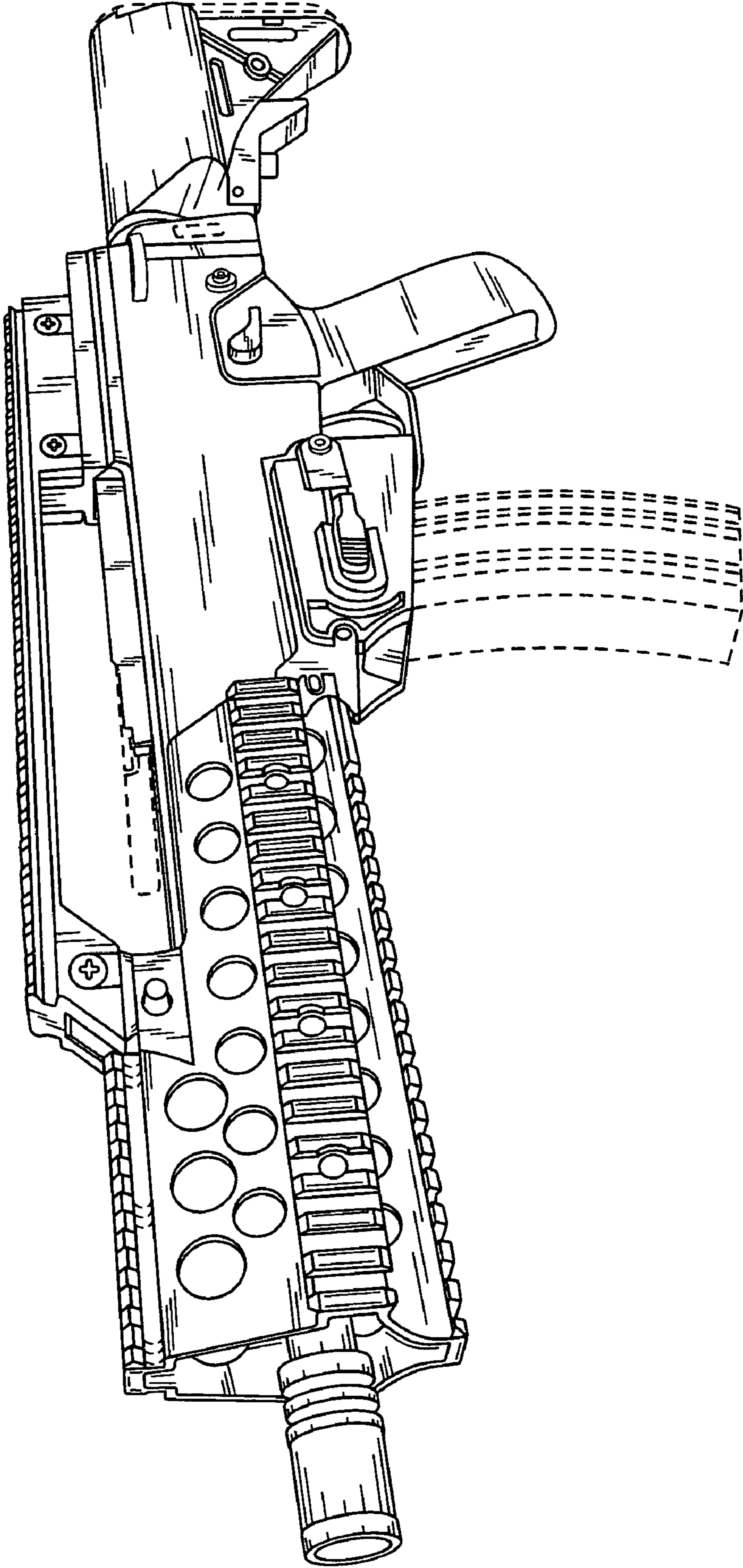


FIG. 9