

US00D649198S

(12) **United States Design Patent**
Mims

(10) **Patent No.:** **US D649,198 S**
(45) **Date of Patent:** **** Nov. 22, 2011**

(54) **VEHICLE TAIL SIGN**

(76) Inventor: **Michael L. Mims**, Kennesaw, GA (US)

(**) Term: **14 Years**

(21) Appl. No.: **29/373,840**

(22) Filed: **May 26, 2011**

(51) **LOC (9) Cl.** **20-03**

(52) **U.S. Cl.** **D20/42**

(58) **Field of Classification Search** D20/10,
D20/15, 18, 19, 39-43, 99; 40/446, 452,
40/538, 541, 559, 574, 591, 592, 593, 597;
D10/109.1, 114.3; D12/400; 340/425.5,
340/435, 464, 468, 471, 473, 691; 362/812

See application file for complete search history.

(56) **References Cited**

U.S. PATENT DOCUMENTS

2,517,173	A	8/1950	Blasingame	
2,597,584	A	5/1952	Hopkins	
2,673,307	A	3/1954	Weishuhn	
4,574,269	A	3/1986	Miller	
D308,399	S *	6/1990	Mori	D20/10
4,974,354	A	12/1990	Hembrook	
5,053,746	A *	10/1991	Taneo	340/473
5,105,179	A	4/1992	Smith	
5,132,666	A	7/1992	Fahs	
5,257,020	A	10/1993	Morse	
D373,387	S *	9/1996	Wu	D20/10
D386,801	S *	11/1997	Orgovan	D26/31
5,825,281	A	10/1998	McCreary	
5,905,434	A *	5/1999	Steffan et al.	340/464
6,060,993	A	5/2000	Cohen	
6,160,476	A	12/2000	Ponziani	
6,195,000	B1	2/2001	Smith et al.	
6,238,122	B1	5/2001	Brooks et al.	
6,268,793	B1	7/2001	Rossi	
6,300,870	B1	10/2001	Nelson	
6,304,174	B1 *	10/2001	Smith et al.	340/471
6,347,471	B1 *	2/2002	Mirza	40/661
6,661,349	B1	12/2003	Kuruvilla et al.	
6,690,286	B2	2/2004	Polyakov	
6,732,460	B2 *	5/2004	Blakeslee	40/564

6,809,654	B2	10/2004	Hudson	
6,812,851	B1	11/2004	Dukach et al.	
D501,892	S *	2/2005	Perry	D20/42
6,867,692	B2	3/2005	Weatherspoon	
7,020,992	B1	4/2006	Christie	
7,142,104	B1	11/2006	Blueford	
7,154,383	B2	12/2006	Berquist	
7,378,948	B2	5/2008	Somuah	
7,378,982	B2	5/2008	Mohamed	
7,449,998	B1	11/2008	Au et al.	
7,498,929	B2	3/2009	Pedrick	
7,659,808	B1	2/2010	Cooper et al.	
2002/0094787	A1	7/2002	Avnet et al.	
2002/0154007	A1	10/2002	Yang	
2003/0140536	A1	7/2003	Bilyeu	
2003/0156038	A1	8/2003	Hankins et al.	
2004/0183659	A1 *	9/2004	Somuah	340/435
2004/0239493	A1	12/2004	Miller	
2005/0083183	A1	4/2005	Cao et al.	
2006/0213100	A1	9/2006	McCann	
2008/0150854	A1	6/2008	Bryant et al.	
2010/0043264	A1 *	2/2010	Johnson, Jr.	40/559

* cited by examiner

Primary Examiner — Mary Ann Calabrese

(74) *Attorney, Agent, or Firm* — Duncan Palmatier

(57) **CLAIM**

The ornamental design for the vehicle tail sign, as shown and described.

DESCRIPTION

FIG. 1 is a front perspective view of a vehicle tail sign, mounted to the tailgate of a pickup truck, showing my new design;

FIG. 2 is a front view thereof;

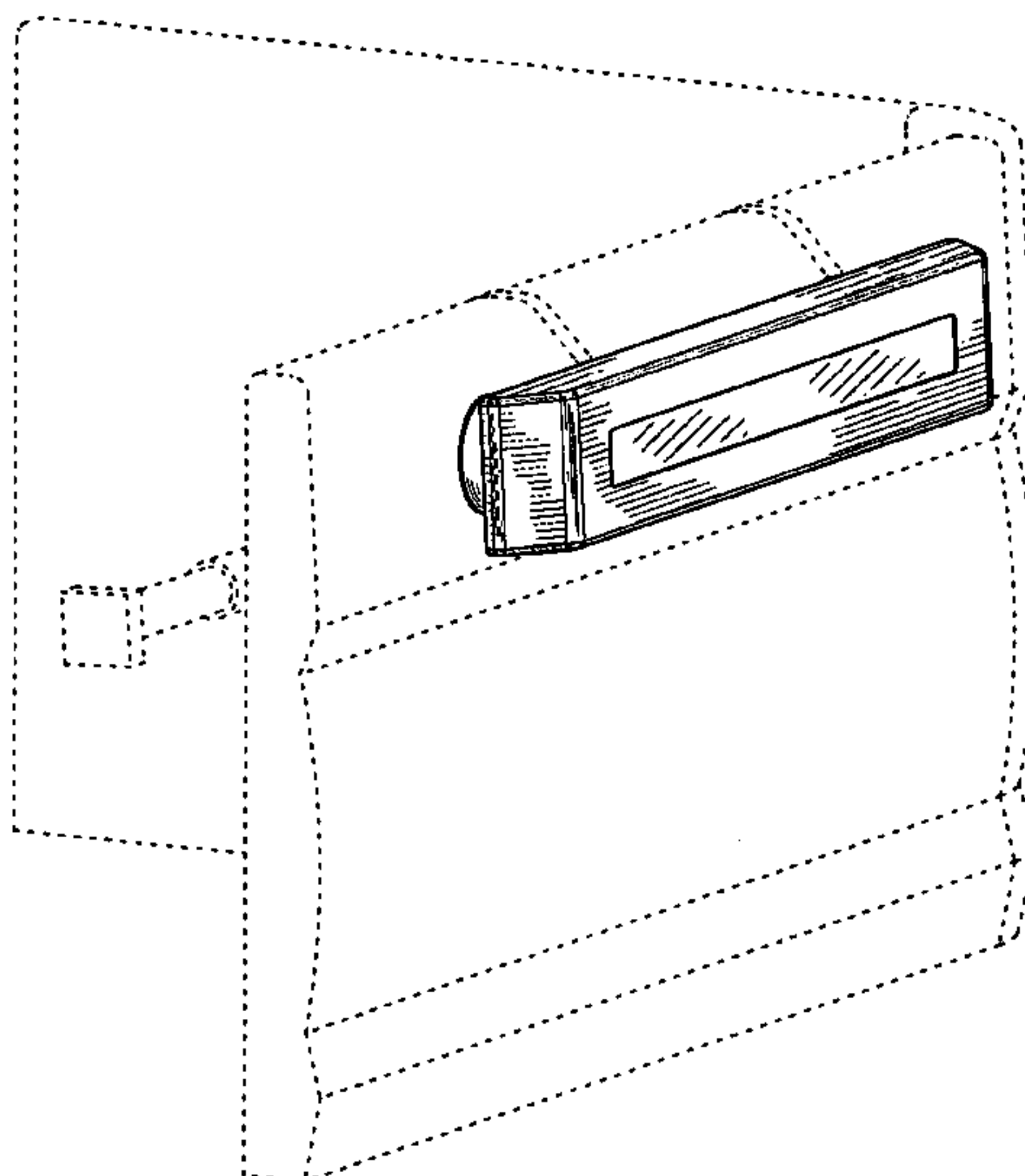
FIG. 3 is a top side view thereof;

FIG. 4 is a back view thereof; and,

FIG. 5 is a side view thereof.

The broken lines in FIG. 1, showing a portion of the back of a pickup truck on which the vehicle tail sign is mounted, are for the purpose of illustrating environmental structure and form no part of the claimed design.

1 Claim, 5 Drawing Sheets



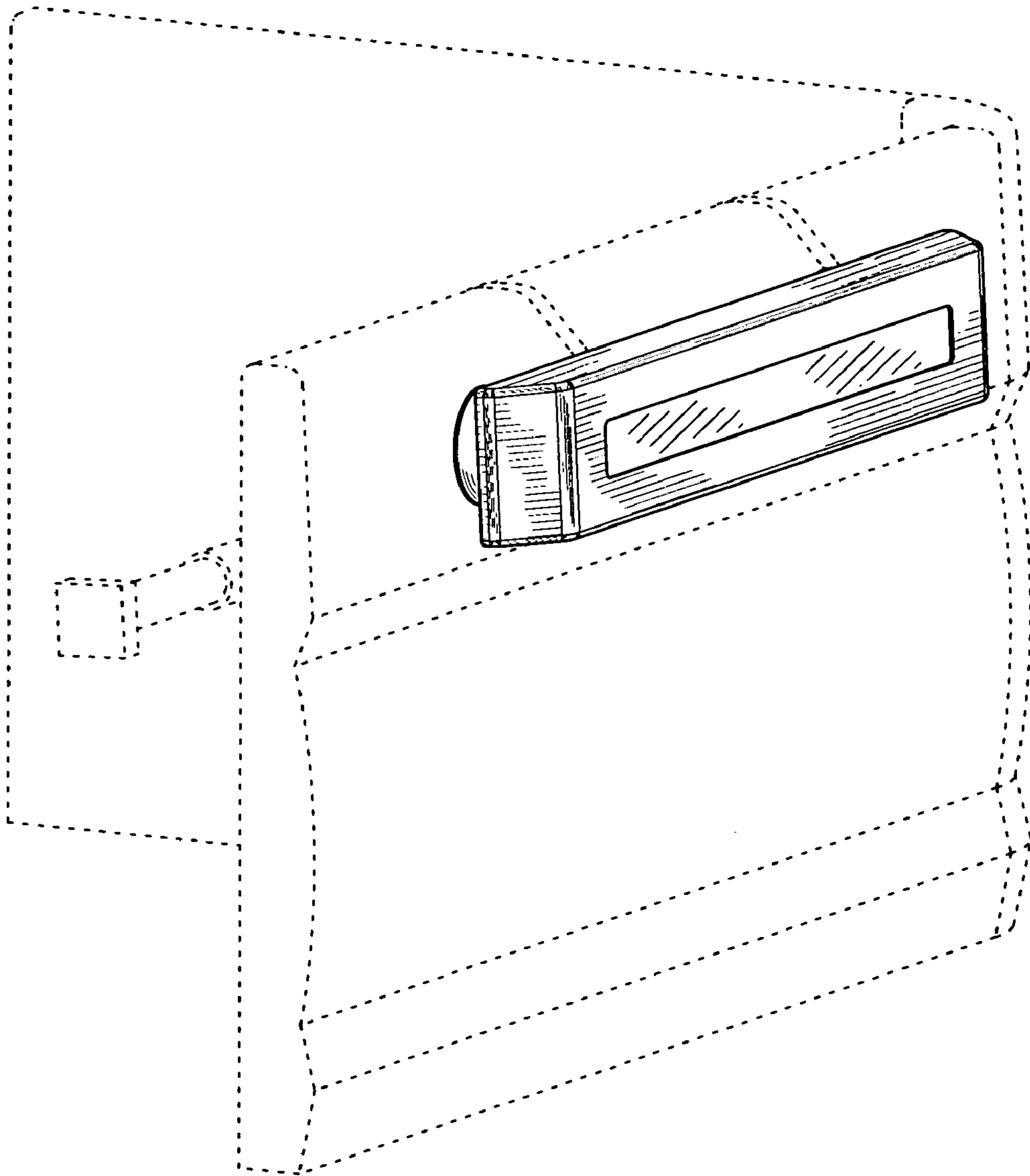


FIG. 1

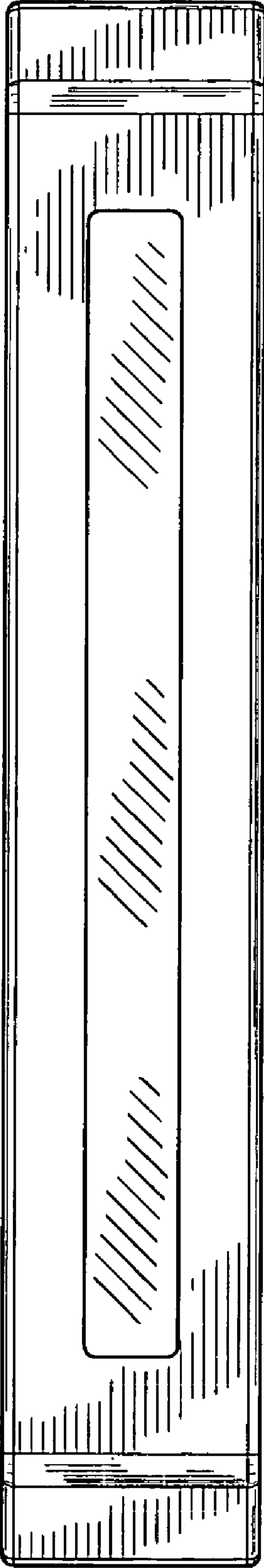


FIG. 2



FIG. 3

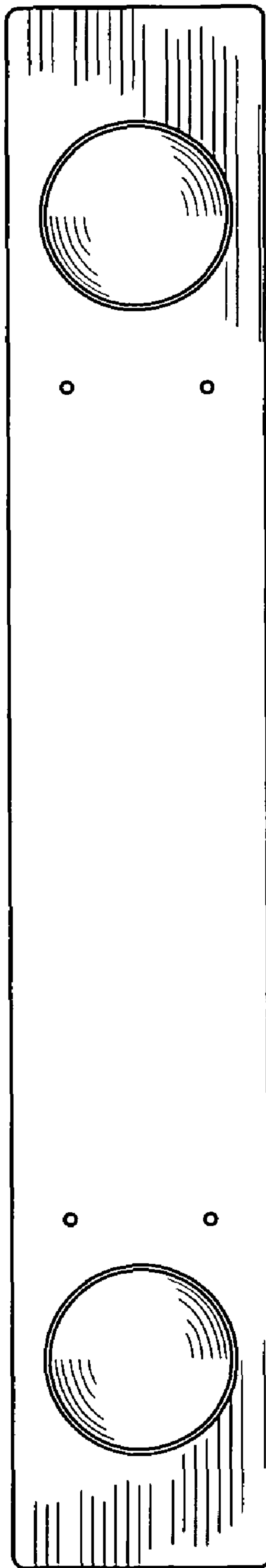


FIG. 4

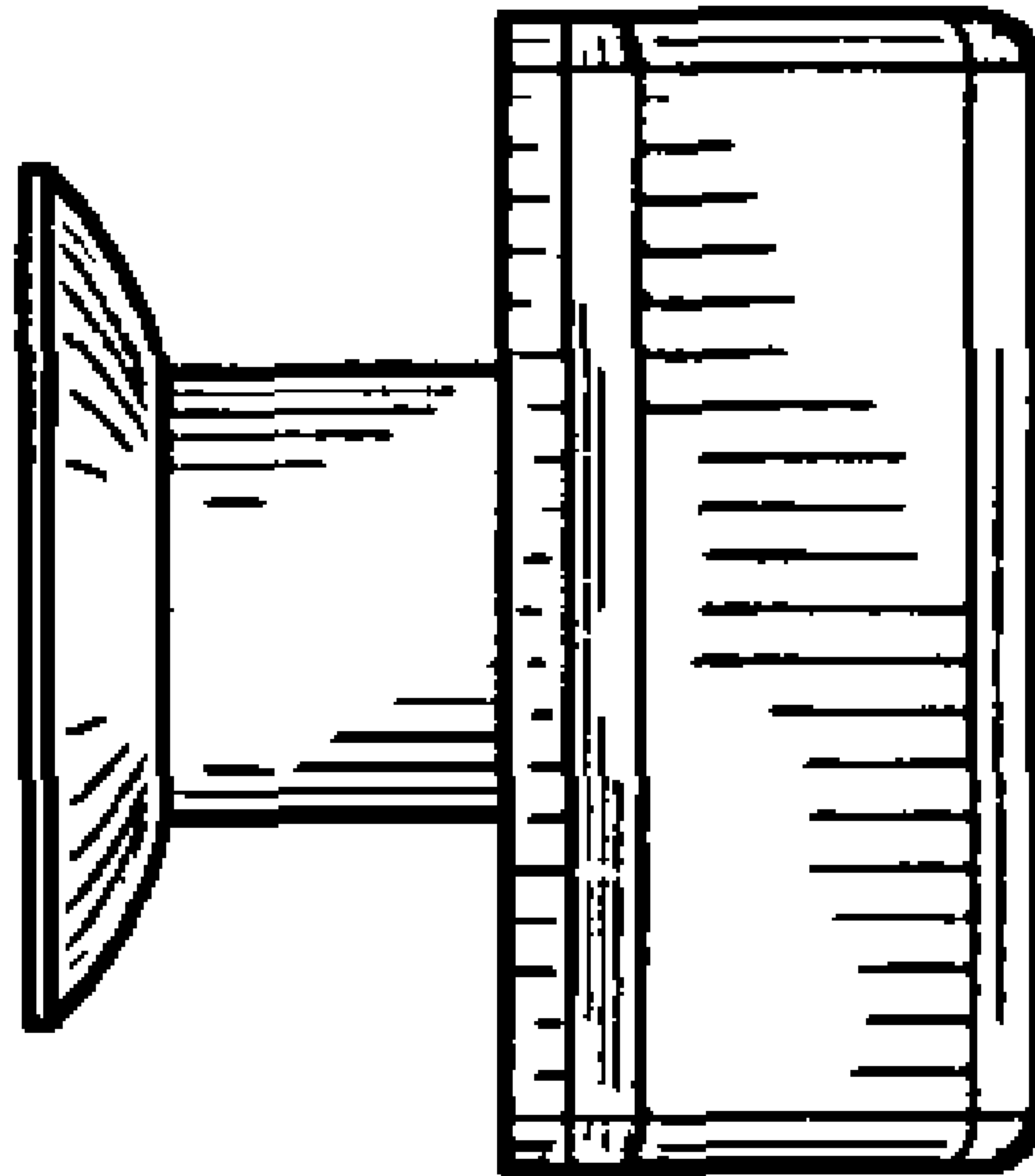


FIG. 5