



US00D649193S

(12) **United States Design Patent**  
**Wallace**

(10) **Patent No.:** **US D649,193 S**

(45) **Date of Patent:** **\*\* Nov. 22, 2011**

(54) **NOTE HOLDER**

(76) Inventor: **Mitzi Wallace**, Cortez, CO (US)

(\*\*) Term: **14 Years**

(21) Appl. No.: **29/360,102**

(22) Filed: **Apr. 20, 2010**

(51) **LOC (9) Cl.** ..... **19-02**

(52) **U.S. Cl.** ..... **D19/86**

(58) **Field of Classification Search** ..... D6/320,  
D6/466, 512, 553; D8/388, 391; D19/1,  
D19/65, 75, 77, 78, 86, 87, 90, 91; 206/215,  
206/425, 449; 211/10, 11, 45, 50, 54.1, 57.1,  
211/59.1

See application file for complete search history.

(56) **References Cited**

**U.S. PATENT DOCUMENTS**

351,573	A *	10/1886	Capewell	470/35
415,818	A *	11/1889	Miner	470/35
1,006,585	A *	10/1911	Moller	470/36
1,230,242	A *	6/1917	Unruh	211/57.1
1,985,677	A *	12/1934	Hand	281/5
2,071,514	A *	2/1937	Faberson	211/57.1
2,724,601	A *	11/1955	Fuerst et al.	462/72
D228,083	S *	8/1973	Longarzo	D19/36
D228,740	S *	10/1973	Izumi	D8/392
4,416,392	A *	11/1983	Smith	221/45
4,519,504	A *	5/1985	Nausedas	206/554
4,590,109	A *	5/1986	Holmberg	428/41.7
4,714,276	A *	12/1987	Greig	283/63.1
4,787,852	A *	11/1988	Melnick	434/328
D298,954	S *	12/1988	Doolin	D19/77
4,980,212	A *	12/1990	Marquis et al.	428/40.1
D337,613	S *	7/1993	Peersmann	D19/78
5,286,546	A *	2/1994	Su	428/194
5,363,985	A *	11/1994	Cornell	221/46
5,390,819	A *	2/1995	Kaye	221/45

5,417,345	A *	5/1995	Smith	221/33
5,690,329	A *	11/1997	Van Peteghem et al.	271/227
5,948,494	A *	9/1999	Levin	428/43
5,965,225	A *	10/1999	Torres	428/40.1
D416,190	S *	11/1999	Heeley	D8/391
D418,876	S *	1/2000	Rhoden	D19/88
6,235,366	B1 *	5/2001	Matsumoto et al.	428/41.9
6,254,955	B1 *	7/2001	Kuo et al.	428/42.2
6,254,960	B1 *	7/2001	Chen	428/77
6,581,693	B1 *	6/2003	Whyde	168/23
6,582,546	B1 *	6/2003	Micek	156/249
6,749,084	B2 *	6/2004	Thompson	221/56
7,051,984	B2 *	5/2006	Botkin	248/220.31
D607,234	S *	1/2010	Chue	D6/466

\* cited by examiner

*Primary Examiner* — Elizabeth Albert

(74) *Attorney, Agent, or Firm* — Samantha A. Updegraff;  
Deborah A. Peacock; Peacock Myers, P.C.

(57) **CLAIM**

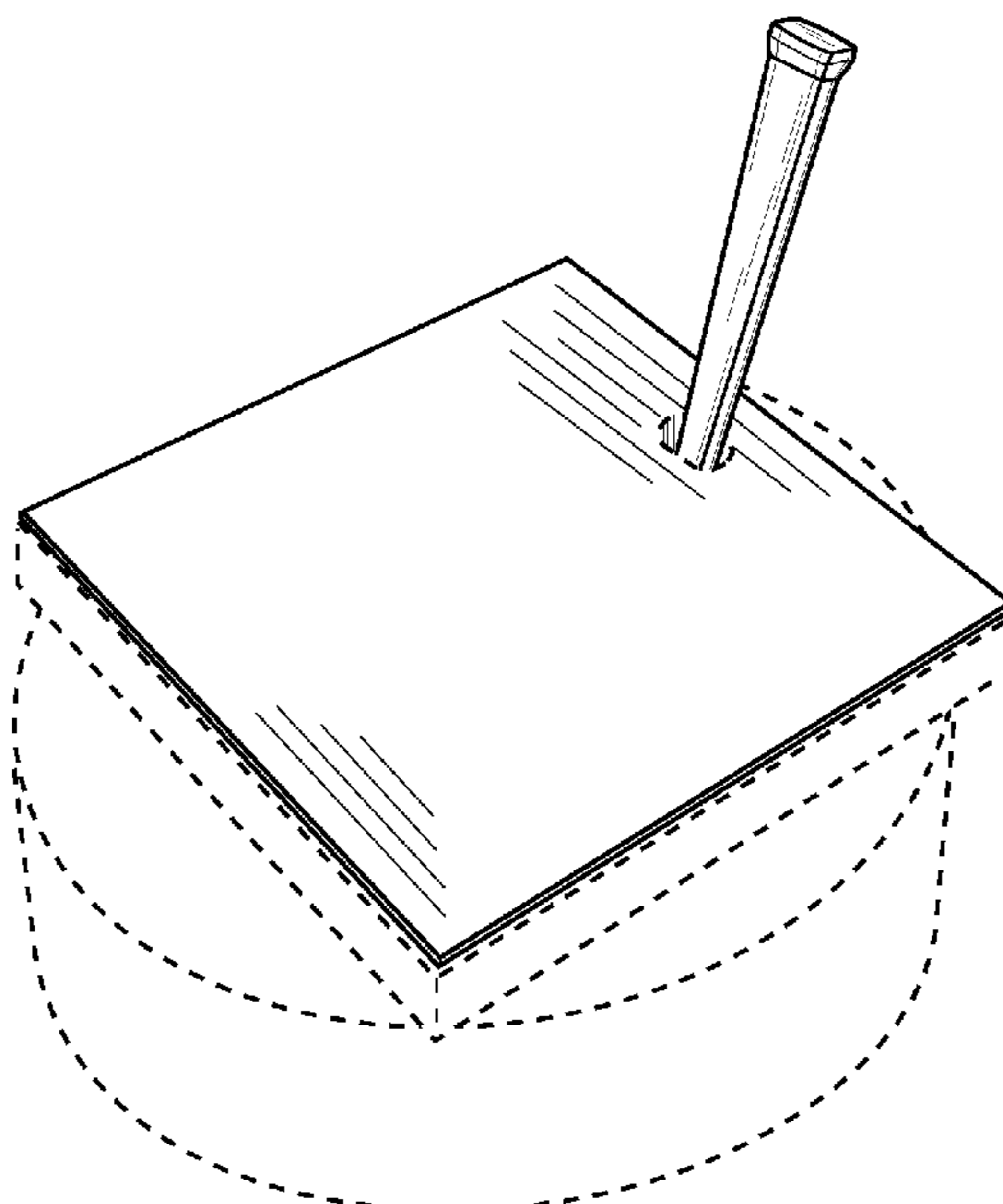
The ornamental design for the note holder, as shown and described.

**DESCRIPTION**

FIG. 1 is a perspective view of a note holder showing my new design;  
FIG. 2 is a right side view of the note holder;  
FIG. 3 is a left side view of the note holder;  
FIG. 4 is a front view of the note holder;  
FIG. 5 is a back view of the note holder;  
FIG. 6 is a top view of the note holder; and,  
FIG. 7 is a bottom view of the note holder.

The note pad, base, and note pad hole are shown in broken lines in the drawings for the purpose of including portions of the note holder and pad that form no part of the claimed design.

**1 Claim, 4 Drawing Sheets**



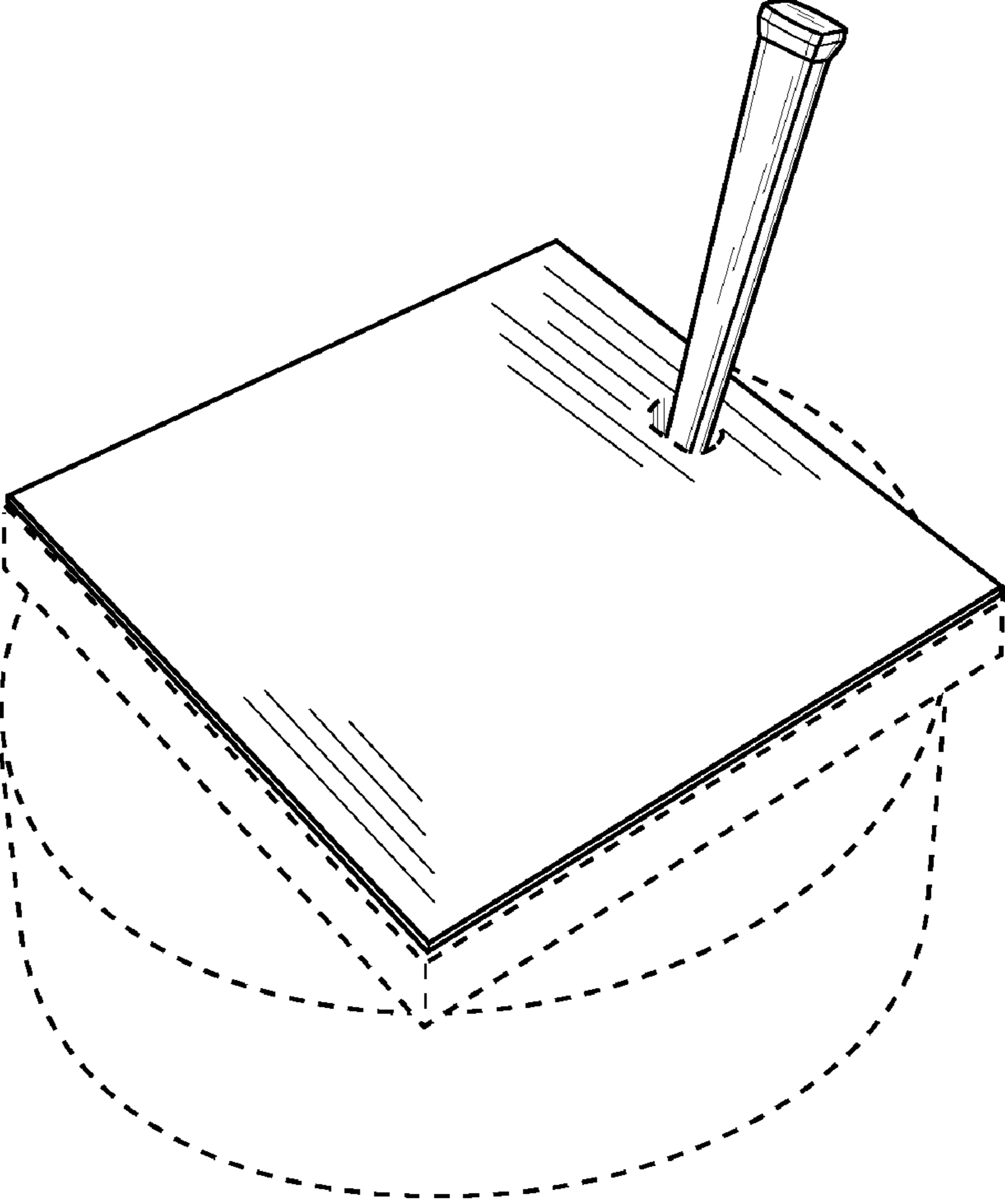


FIG. 1

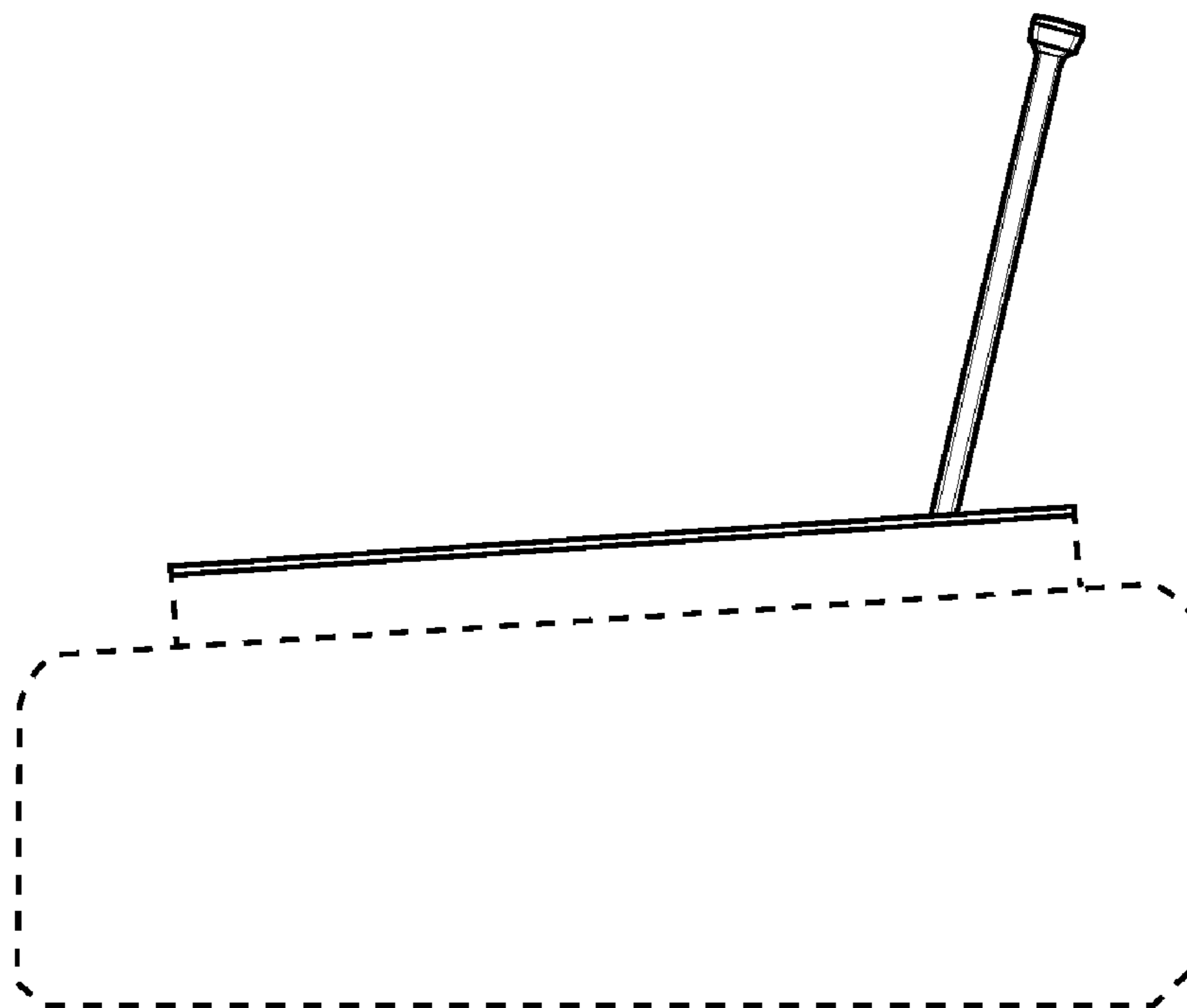


FIG. 2

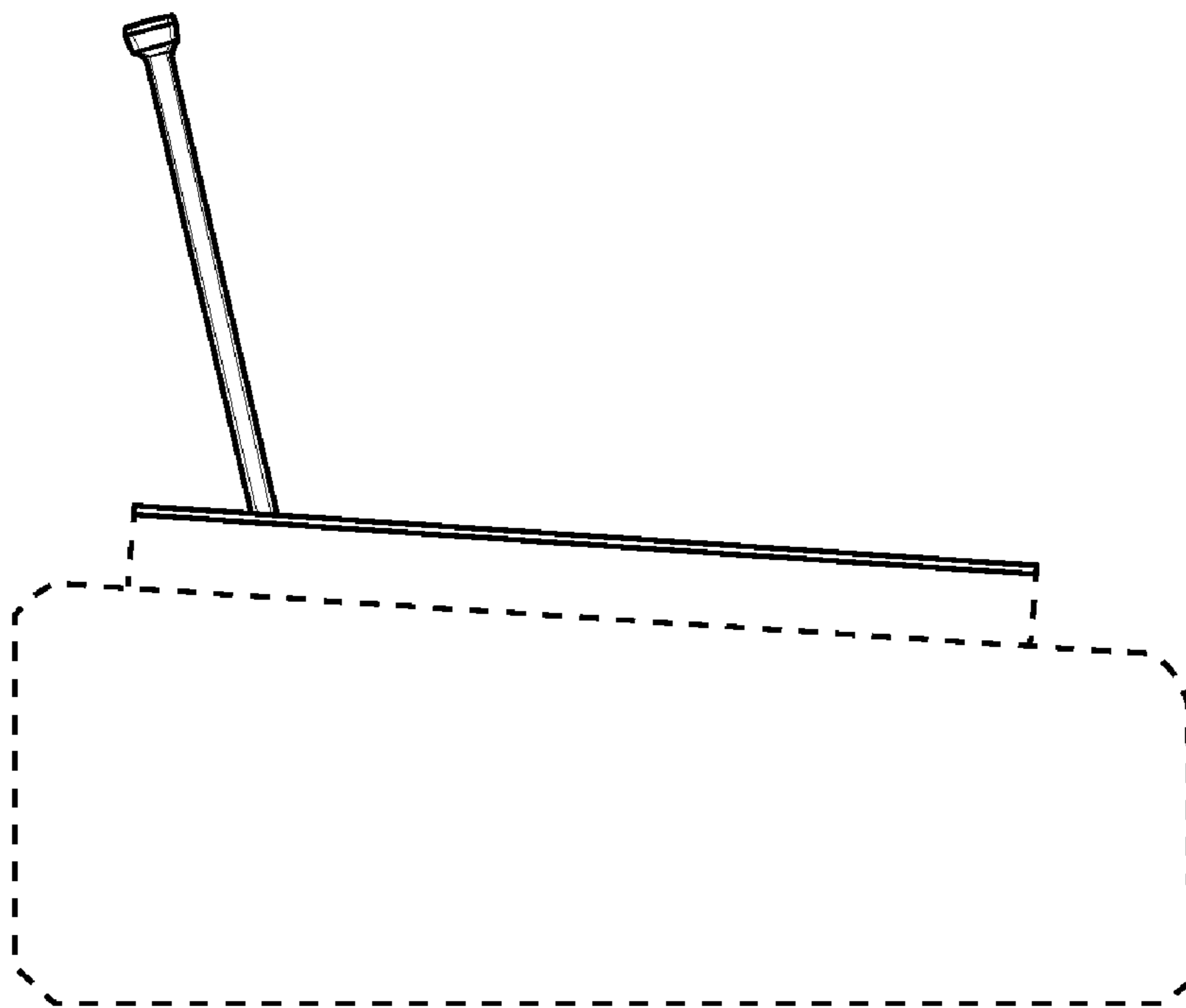


FIG. 3

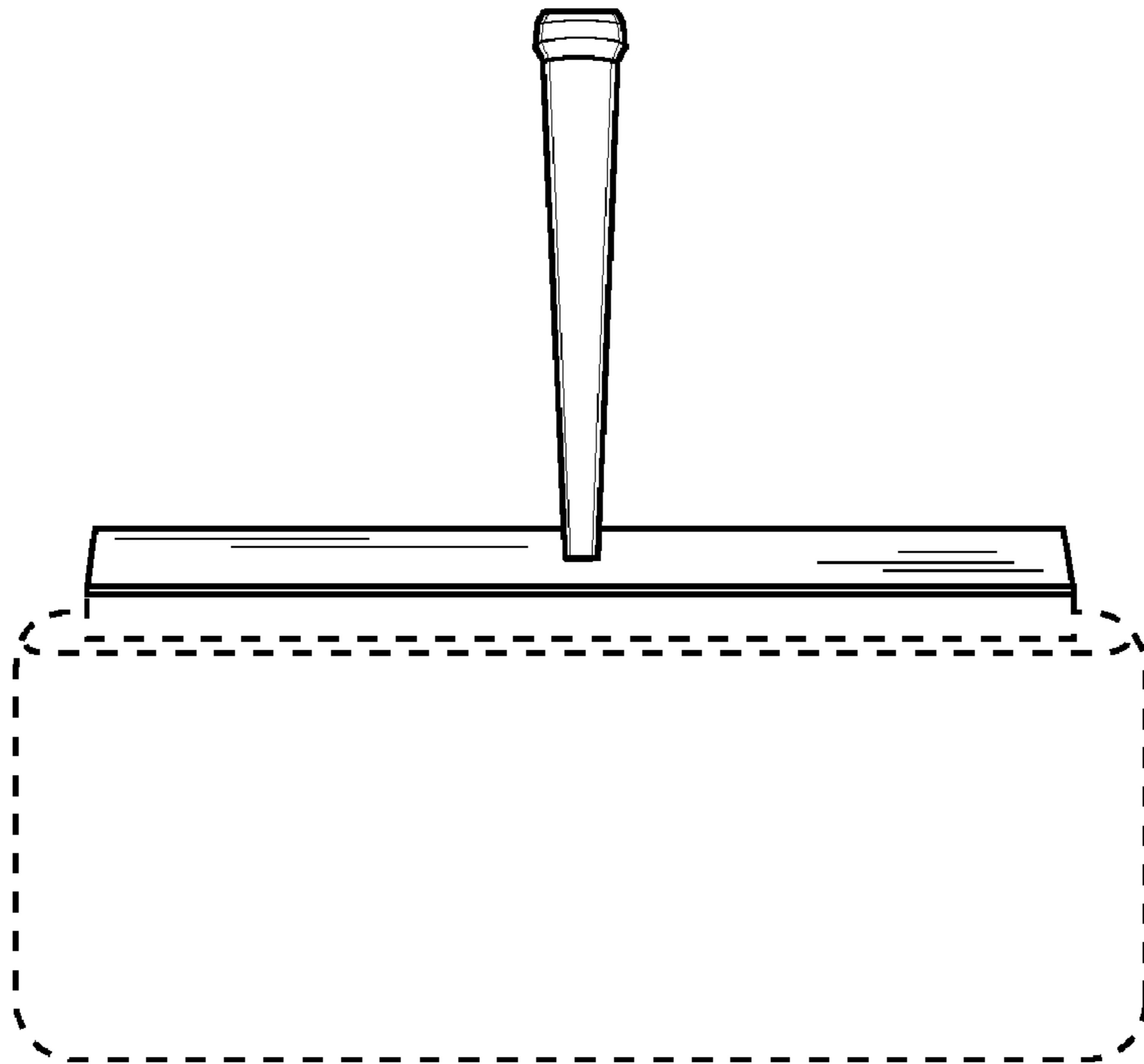


FIG. 4

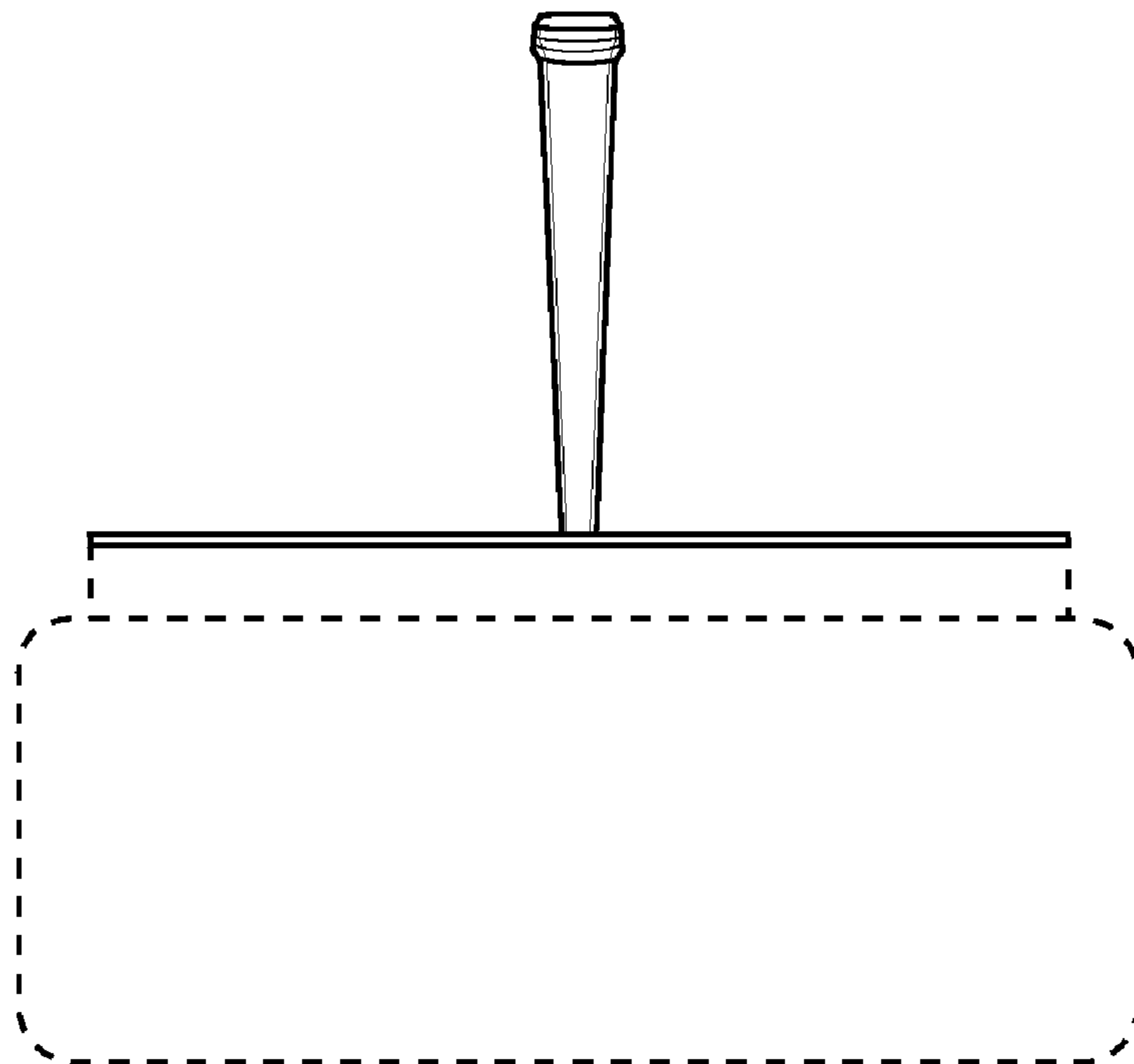


FIG. 5

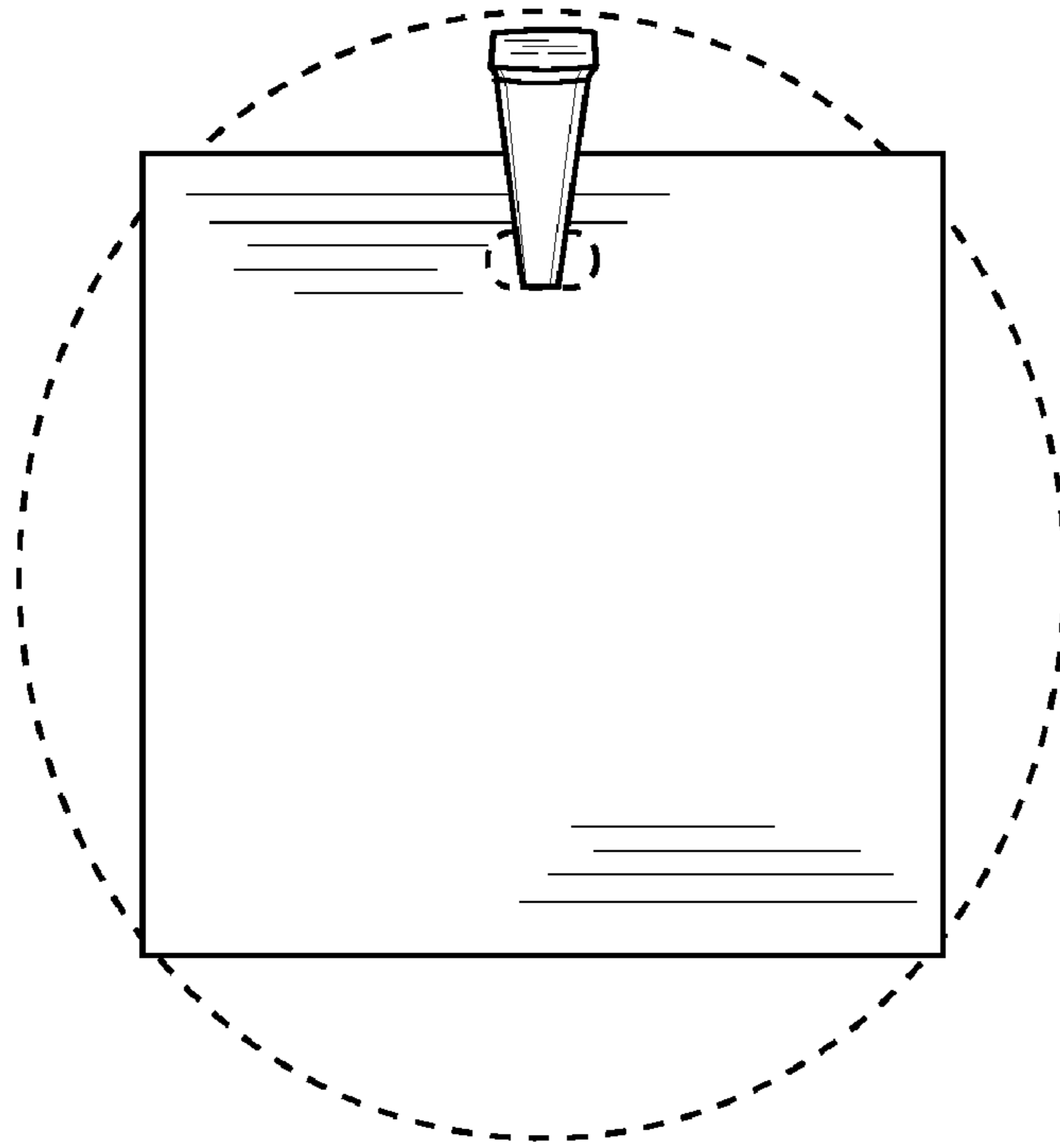


FIG. 6

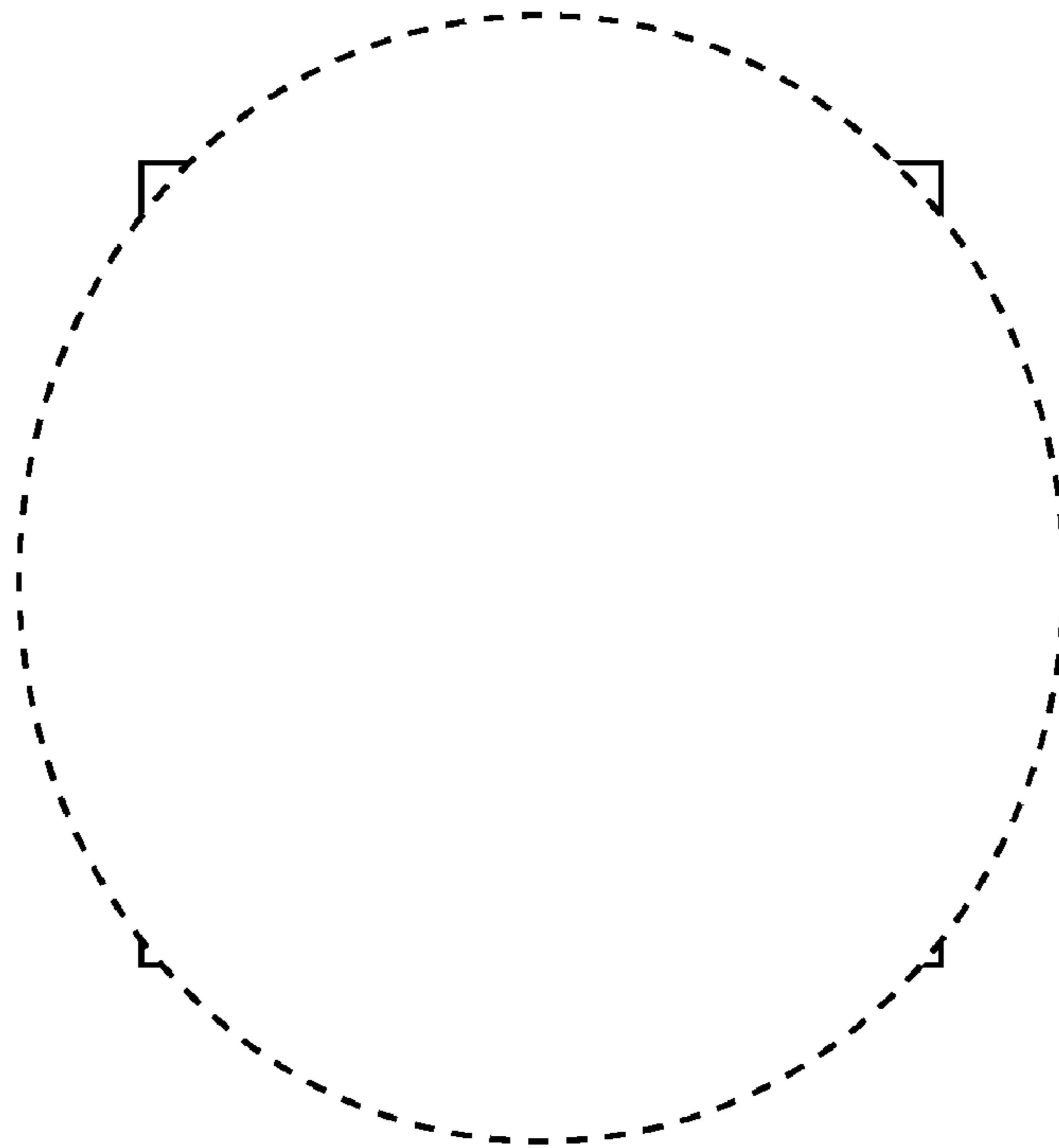


FIG. 7