



US00D649191S

(12) **United States Design Patent**
Warner

(10) **Patent No.:** **US D649,191 S**

(45) **Date of Patent:** **** Nov. 22, 2011**

(54) **TAPE CUTTER AND HOLDER**

(75) Inventor: **Scott K. Warner**, Lehi, UT (US)

(73) Assignee: **Semco Plastic Company, Inc.**, St. Louis, MO (US)

(**) Term: **14 Years**

(21) Appl. No.: **29/392,205**

(22) Filed: **May 18, 2011**

(51) **LOC (9) Cl.** **19-02**

(52) **U.S. Cl.** **D19/69**

(58) **Field of Classification Search** D19/70,
D19/69, 36, 68; 242/588.6, 588.2; 225/77,
225/6, 56, 39, 26, 25, 19, 11; 206/411; 156/577,
156/527, 523

See application file for complete search history.

(56) **References Cited**

U.S. PATENT DOCUMENTS

| | | | | |
|--------------|---------|----------------|-------|--------|
| D150,498 S * | 8/1948 | Hazelton | | D19/69 |
| D300,230 S * | 3/1989 | Yamazaki | | D19/69 |
| D442,227 S * | 5/2001 | Carlson et al. | | D19/69 |
| D448,413 S * | 9/2001 | Carlson et al. | | D19/69 |
| D491,985 S * | 6/2004 | Mueller et al. | | D19/69 |
| D500,087 S * | 12/2004 | Siegel | | D19/69 |
| D521,070 S * | 5/2006 | Hill | | D19/69 |

| | | | | |
|--------------|---------|-----------------|-------|--------|
| D533,905 S * | 12/2006 | Gullicks et al. | | D19/69 |
| D534,589 S * | 1/2007 | Gullicks et al. | | D19/69 |
| D568,400 S * | 5/2008 | Packard et al. | | D19/69 |
| D588,646 S * | 3/2009 | Vulpitta | | D19/69 |
| D591,354 S * | 4/2009 | Vulpitta | | D19/69 |

* cited by examiner

Primary Examiner — Austin Murphy

(74) *Attorney, Agent, or Firm* — Workman Nydegger

(57) **CLAIM**

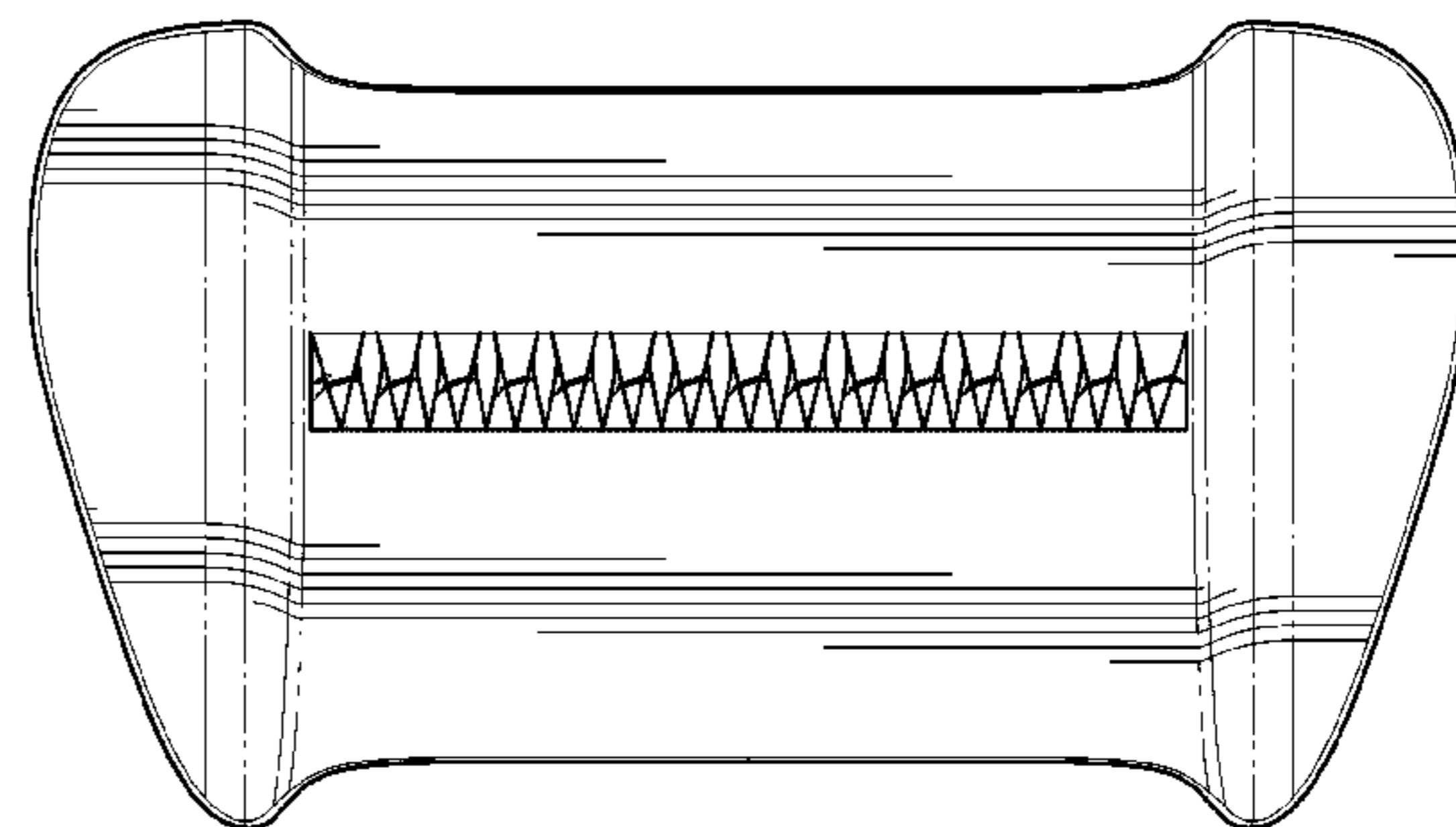
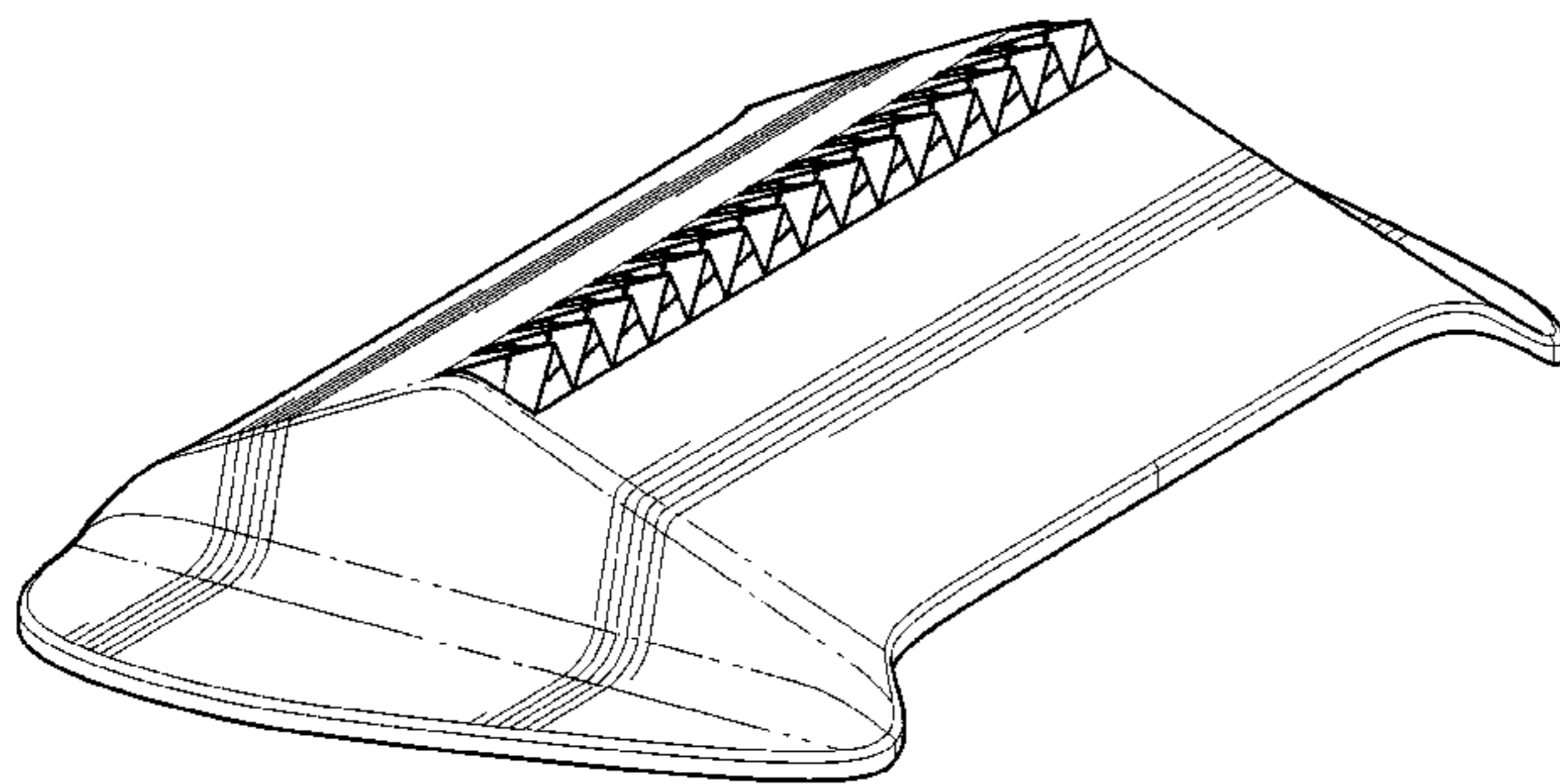
The ornamental design for a tape cutter and holder, as shown and described.

DESCRIPTION

FIG. 1 is a perspective view of a tape cutter and holder showing my new design in environmental use;
FIG. 2 is a perspective view thereof;
FIG. 3 is a rear elevational view thereof;
FIG. 4 is a left side elevational view thereof;
FIG. 5 is a top plan view thereof;
FIG. 6 is a right side elevational view;
FIG. 7 is a front elevational view thereof; and,
FIG. 8 is a bottom plan view thereof.

The broken lines showing environment in the drawings are included for illustrative purposes only and form no part of the claimed design.

1 Claim, 4 Drawing Sheets



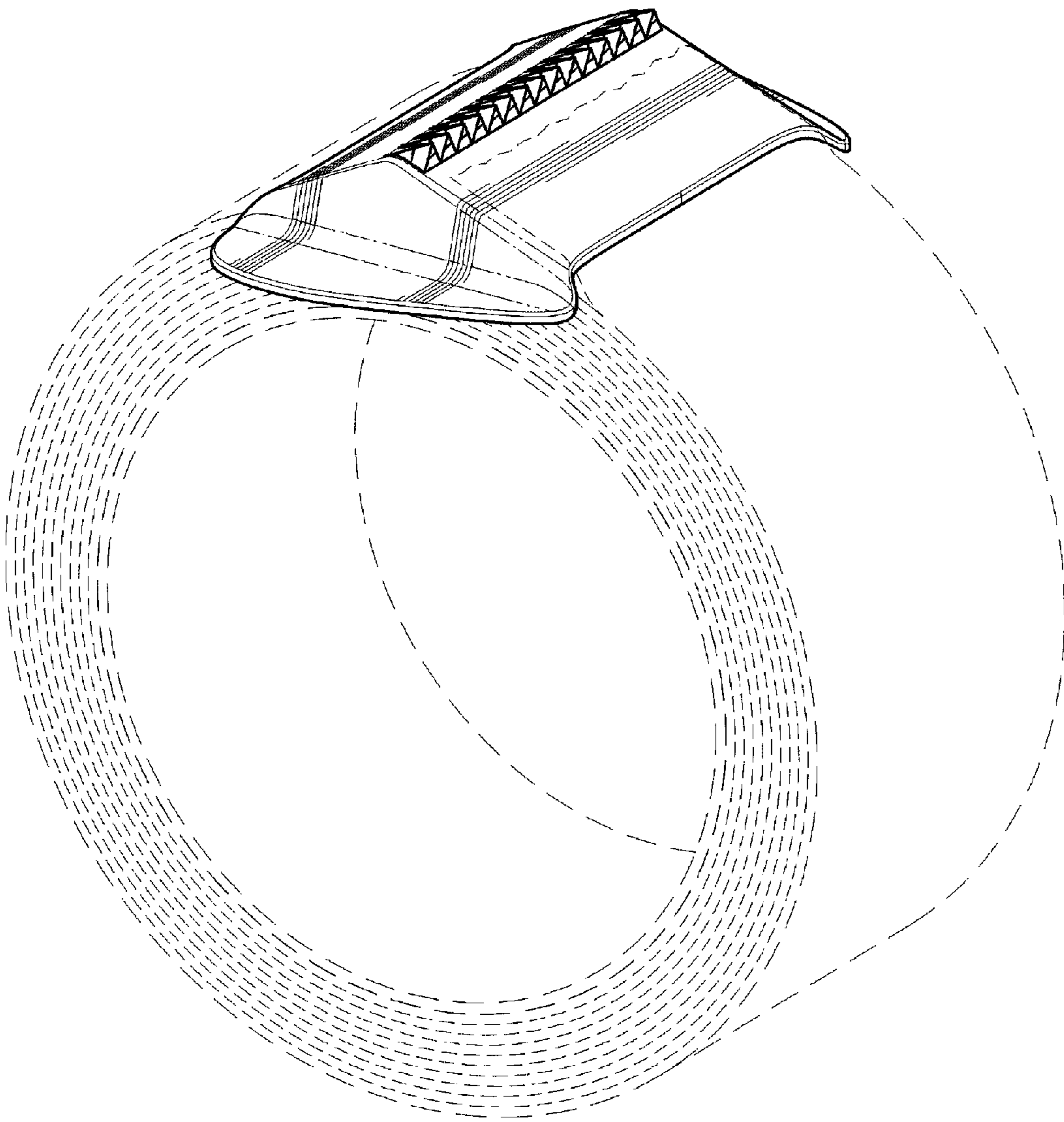


Fig. 1

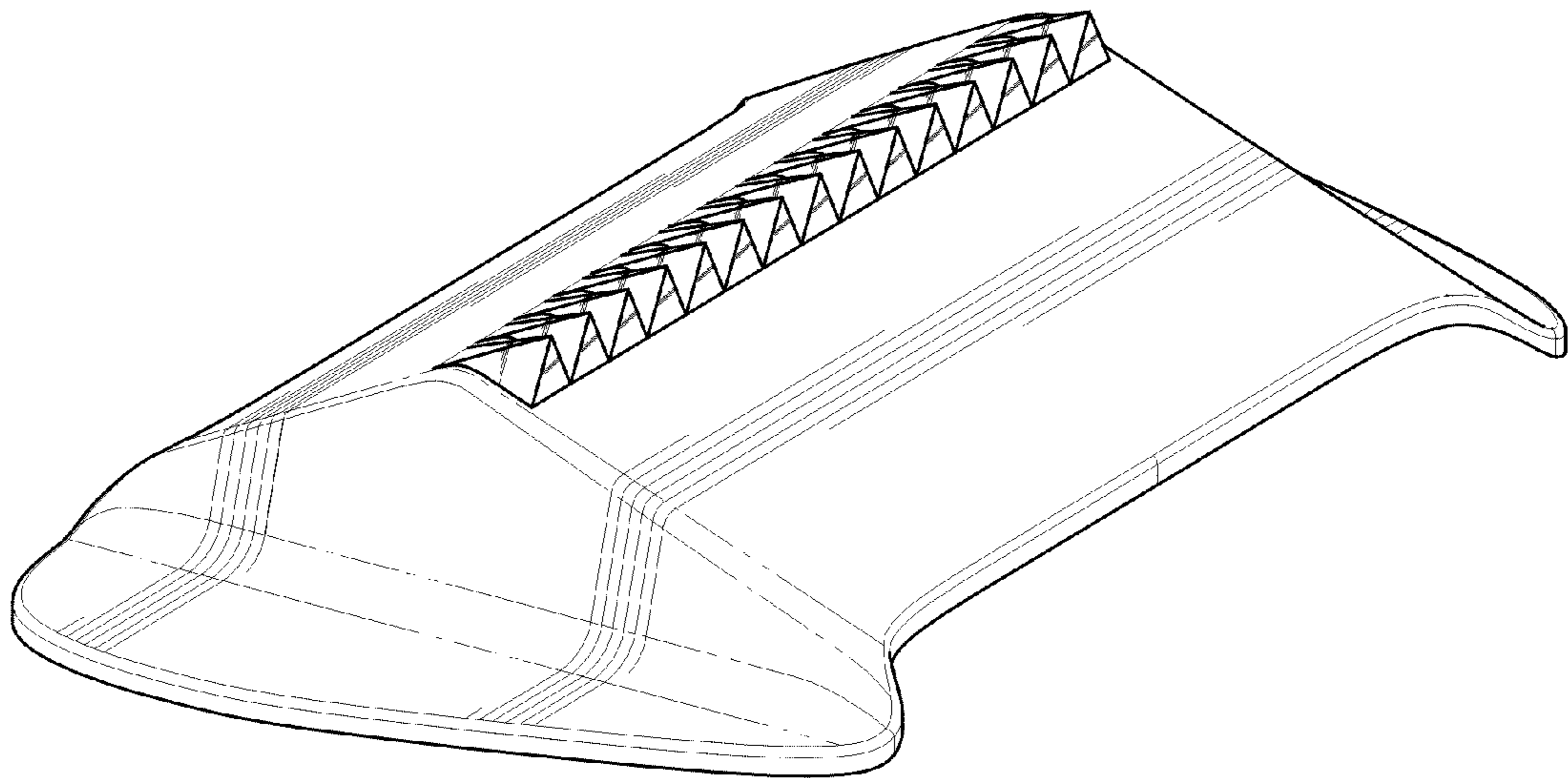


Fig. 2

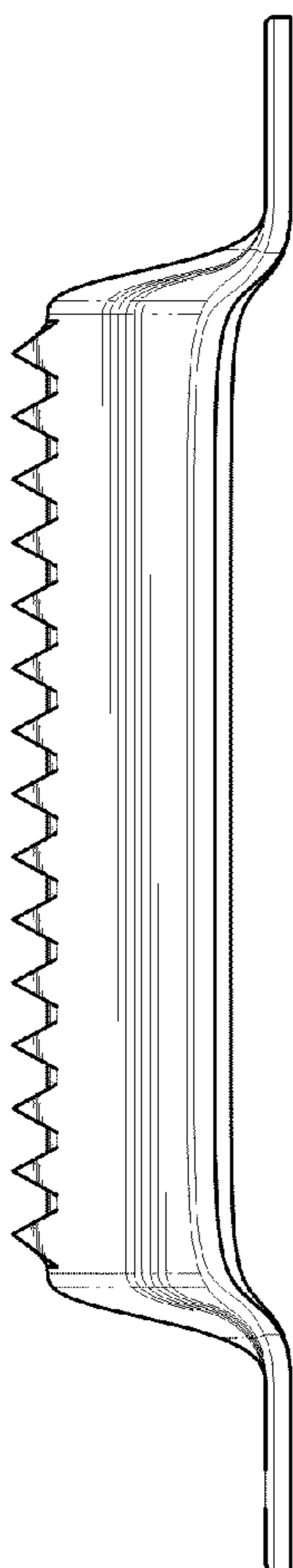


Fig. 3

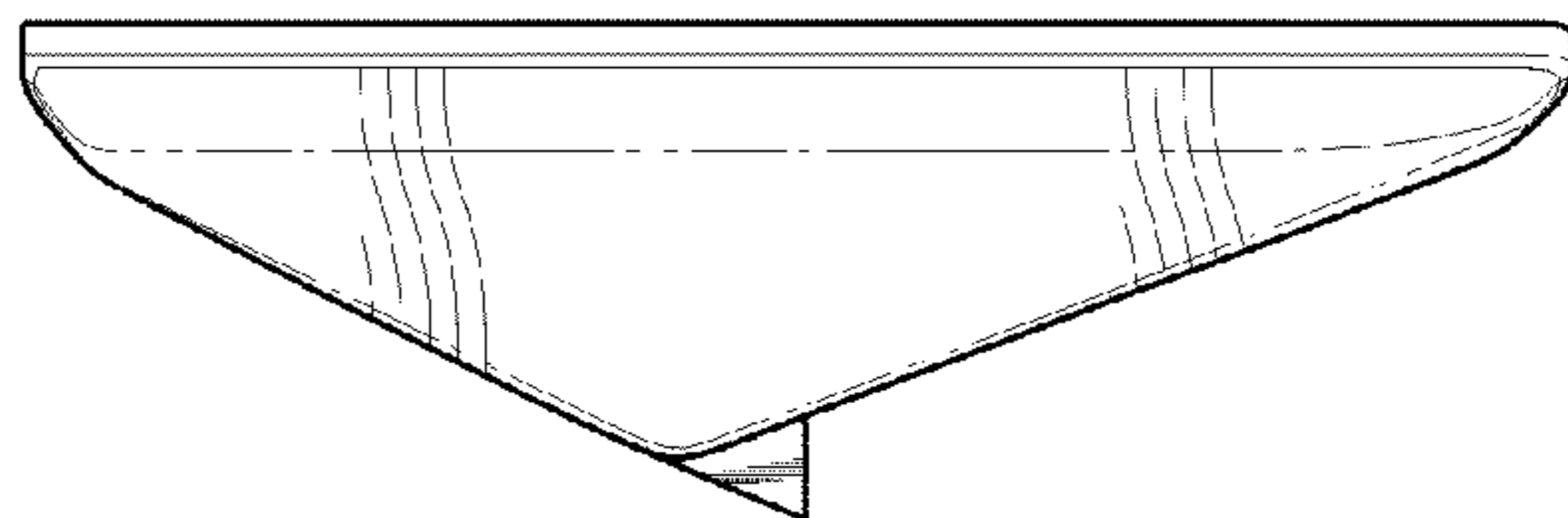


Fig. 6

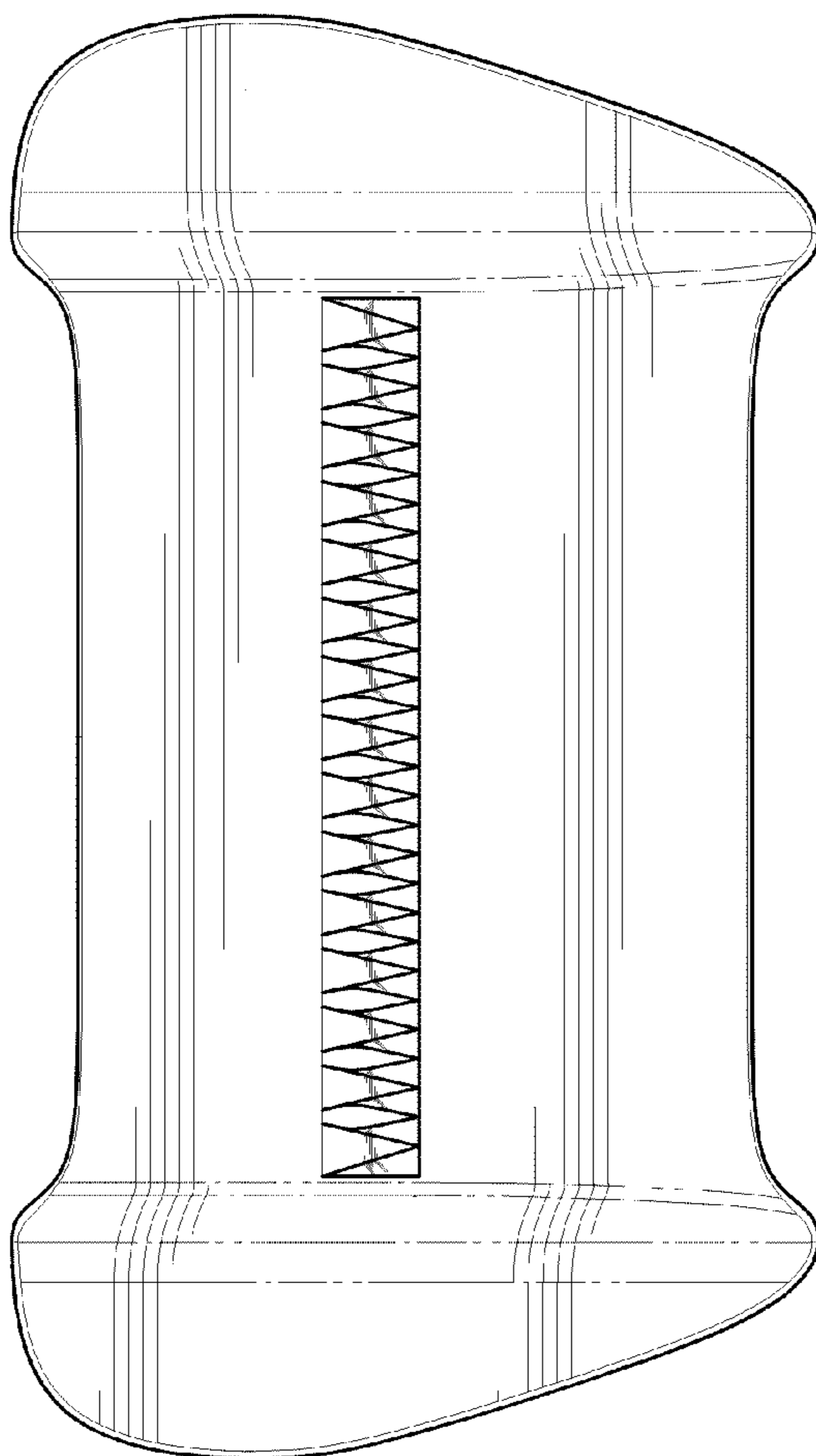


Fig. 5

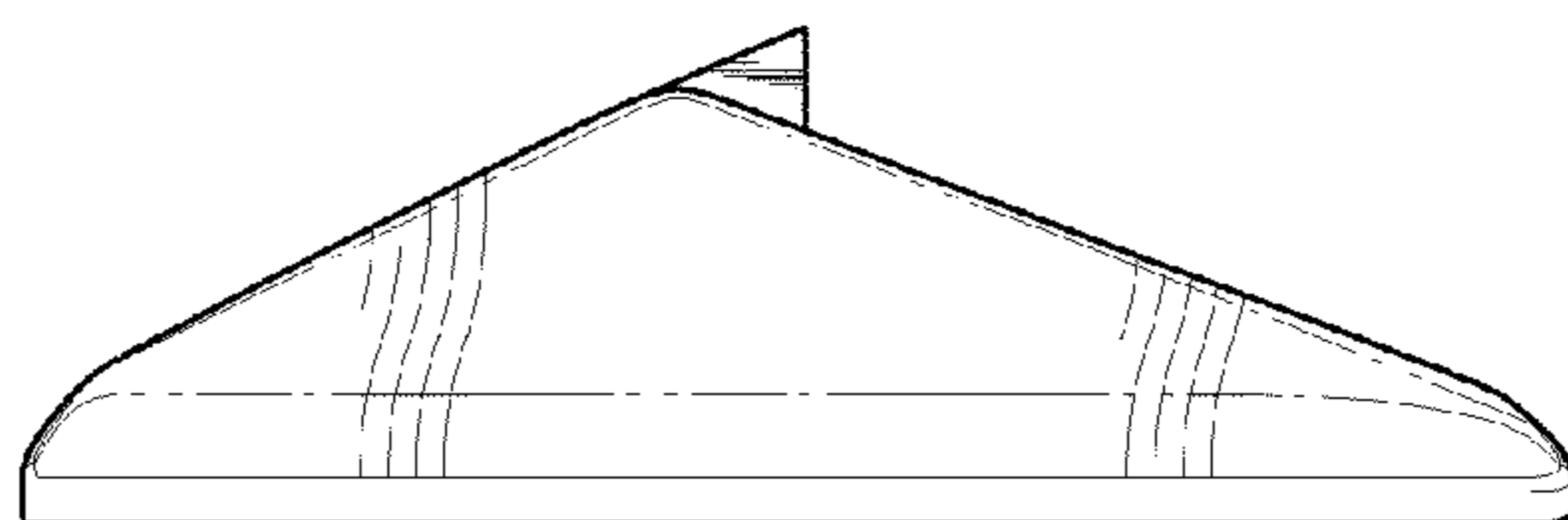


Fig. 4

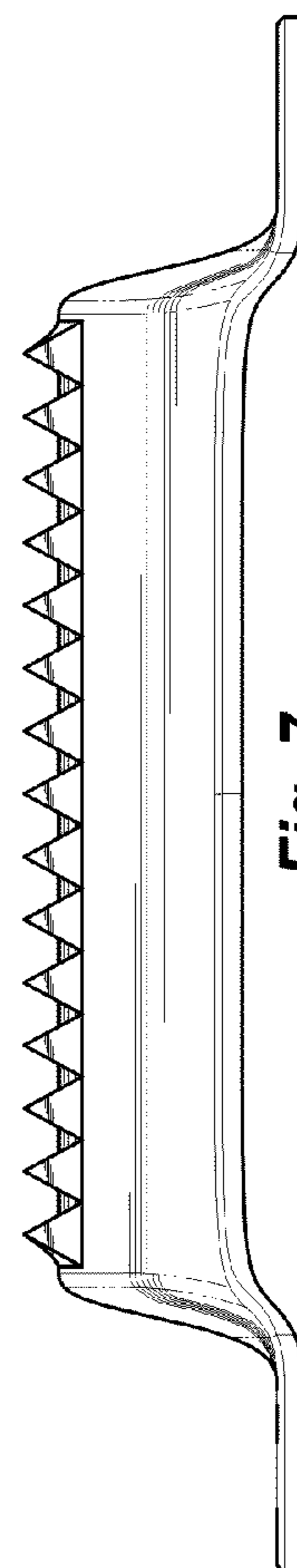


Fig. 7

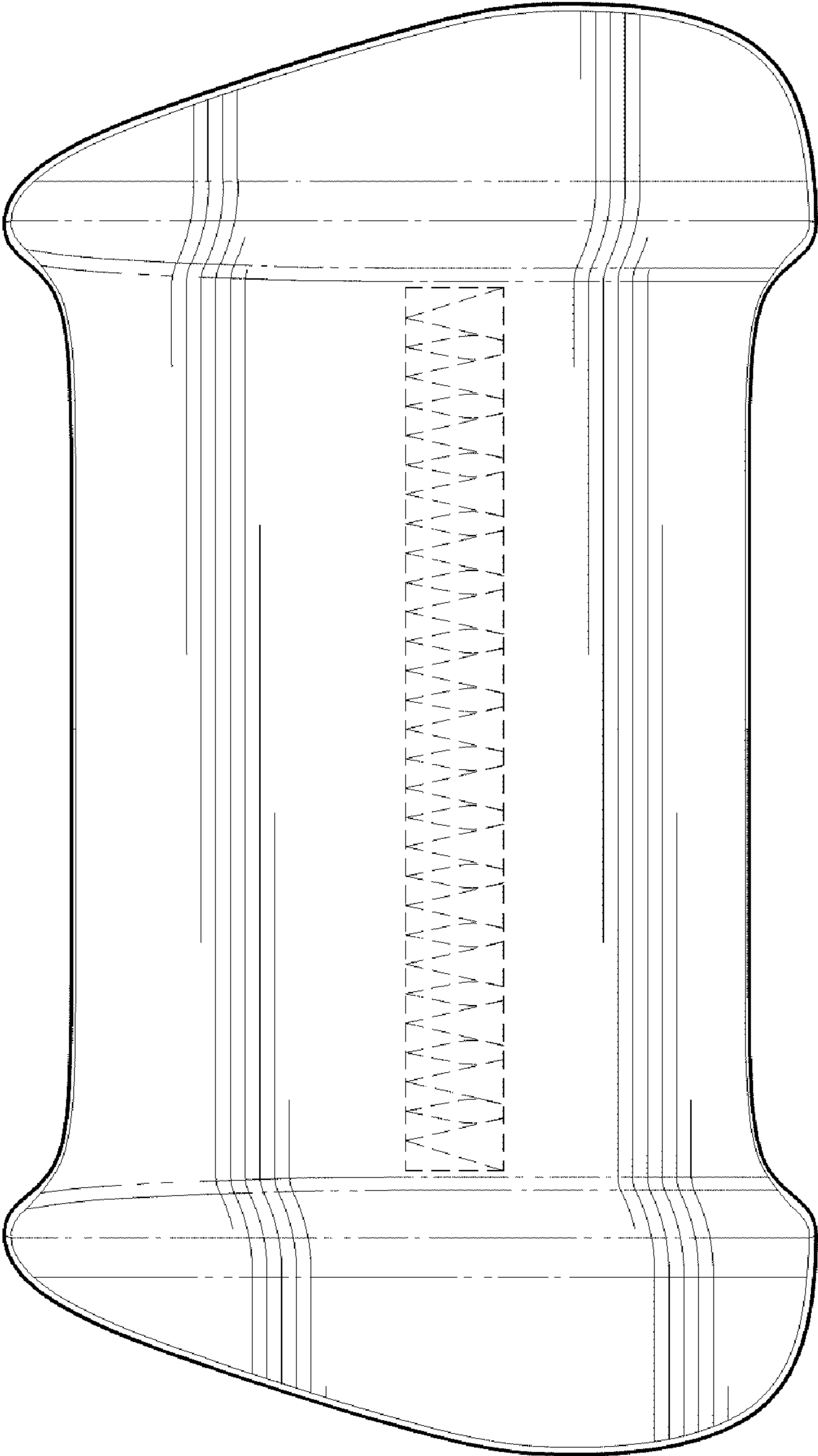


Fig. 8