



US00D649187S

(12) **United States Design Patent**
Menchine et al.

(10) **Patent No.:** **US D649,187 S**

(45) **Date of Patent:** **** *Nov. 22, 2011**

(54) **SPINE REGION OF A BINDER**

(75) Inventors: **Heather Menchine**, Huntington Beach, CA (US); **L. Sean Le**, Yorba Linda, CA (US); **Darren S. Ferris**, La Habra Heights, CA (US); **Linda Jensen Brys**, Long Beach, CA (US)

(73) Assignee: **Avery Dennison Corporation**, Pasadena, CA (US)

(*) Notice: This patent is subject to a terminal disclaimer.

(**) Term: **14 Years**

(21) Appl. No.: **29/376,742**

(22) Filed: **Oct. 11, 2010**

(51) **LOC (9) Cl.** **19-04**

(52) **U.S. Cl.** **D19/32**

(58) **Field of Classification Search** D19/26-33, D19/75, 78, 86, 88; D3/900, 247, 299, 303; 283/63.1; 281/15.1, 19.1, 29, 31, 38, 51; 402/73, 79; 229/67.1, 67.4
See application file for complete search history.

(56) **References Cited**

U.S. PATENT DOCUMENTS

D313,619 S *	1/1991	Moor	D19/27
5,015,011 A *	5/1991	York	281/18
D319,659 S *	9/1991	Moor	D19/27
D352,309 S *	11/1994	Gresham et al.	D19/27
D424,615 S *	5/2000	Wyant	D19/32
D435,591 S *	12/2000	Wyant	D19/27
D504,463 S *	4/2005	Wehmeyer	D19/26
D509,848 S *	9/2005	Whittington et al.	D19/26

D510,949 S *	10/2005	Whittington et al.	D19/26
D569,426 S *	5/2008	Stockstill et al.	D19/26
D574,889 S *	8/2008	Stockstill et al.	D19/32
D577,382 S *	9/2008	Stockstill et al.	D19/26
D577,767 S *	9/2008	Stockstill et al.	D19/26
D584,049 S *	1/2009	Uzelac	D3/247
D586,390 S *	2/2009	Stockstill et al.	D19/26
D588,635 S *	3/2009	Stockstill et al.	D19/26
D606,585 S *	12/2009	Lapsker	D19/26
7,762,589 B2 *	7/2010	Hough et al.	281/29

* cited by examiner

Primary Examiner — T. Chase Nelson
Assistant Examiner — Kathleen M Sims

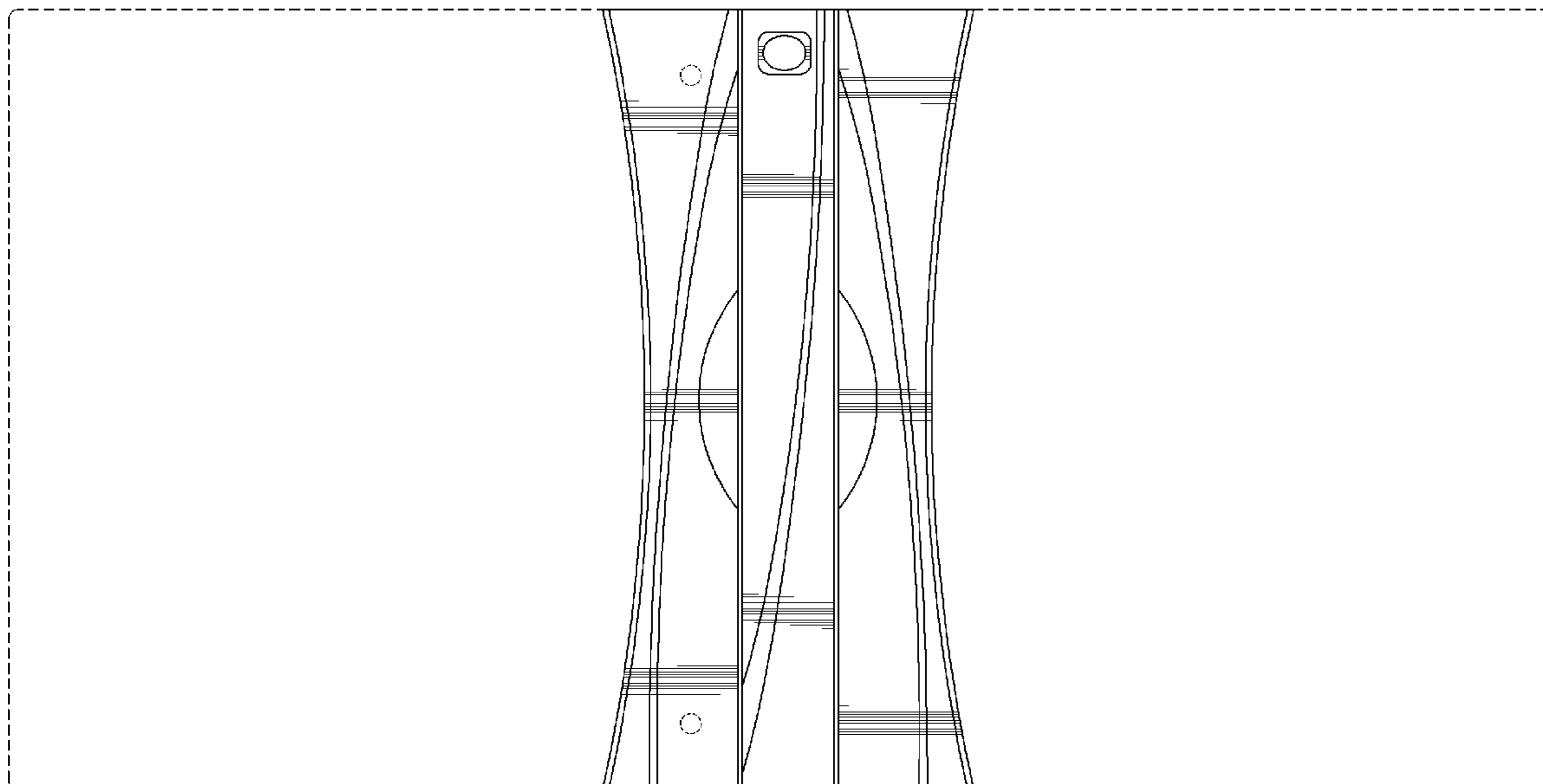
(57) **CLAIM**

We claim the ornamental design for a spine region of a binder, as shown and described.

DESCRIPTION

FIG. 1 is a front perspective view of a spine region of a binder showing our new design with the binder in a closed configuration;
FIG. 2 is a back perspective view thereof;
FIG. 3 is a front view thereof;
FIG. 4 is a back view thereof;
FIG. 5 is a top plan view thereof;
FIG. 6 is a bottom plan view thereof;
FIG. 7 is left side elevational view thereof;
FIG. 8 is a right side elevational view thereof; and,
FIG. 9 is an elevational view of the outside surface of the binder with the binder lying flat in an open configuration.
The dashed lines shown in FIGS. 1-9 are for illustrative purposes only, depicting environmental structure that forms no part of the claimed design.

1 Claim, 6 Drawing Sheets



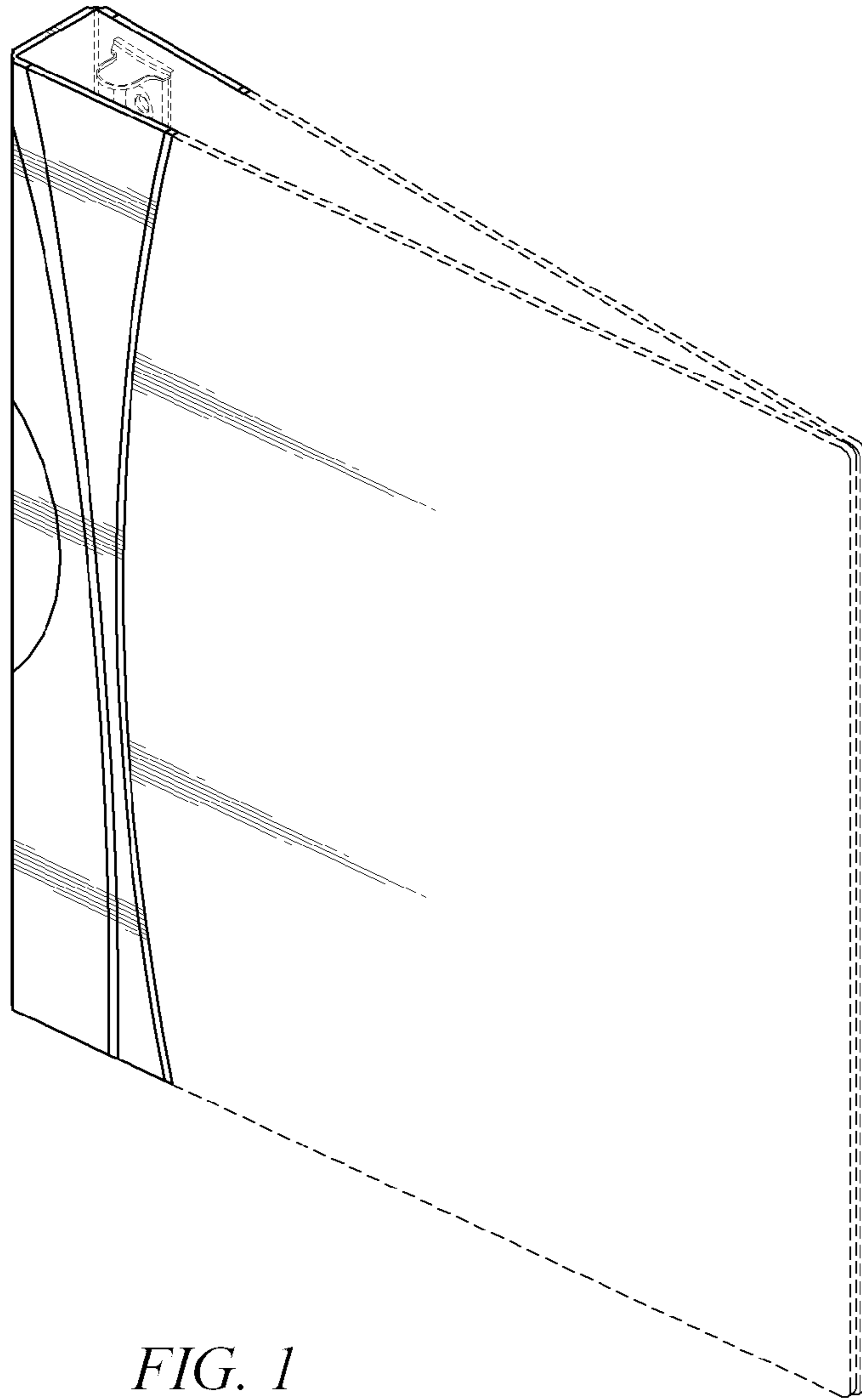


FIG. 1

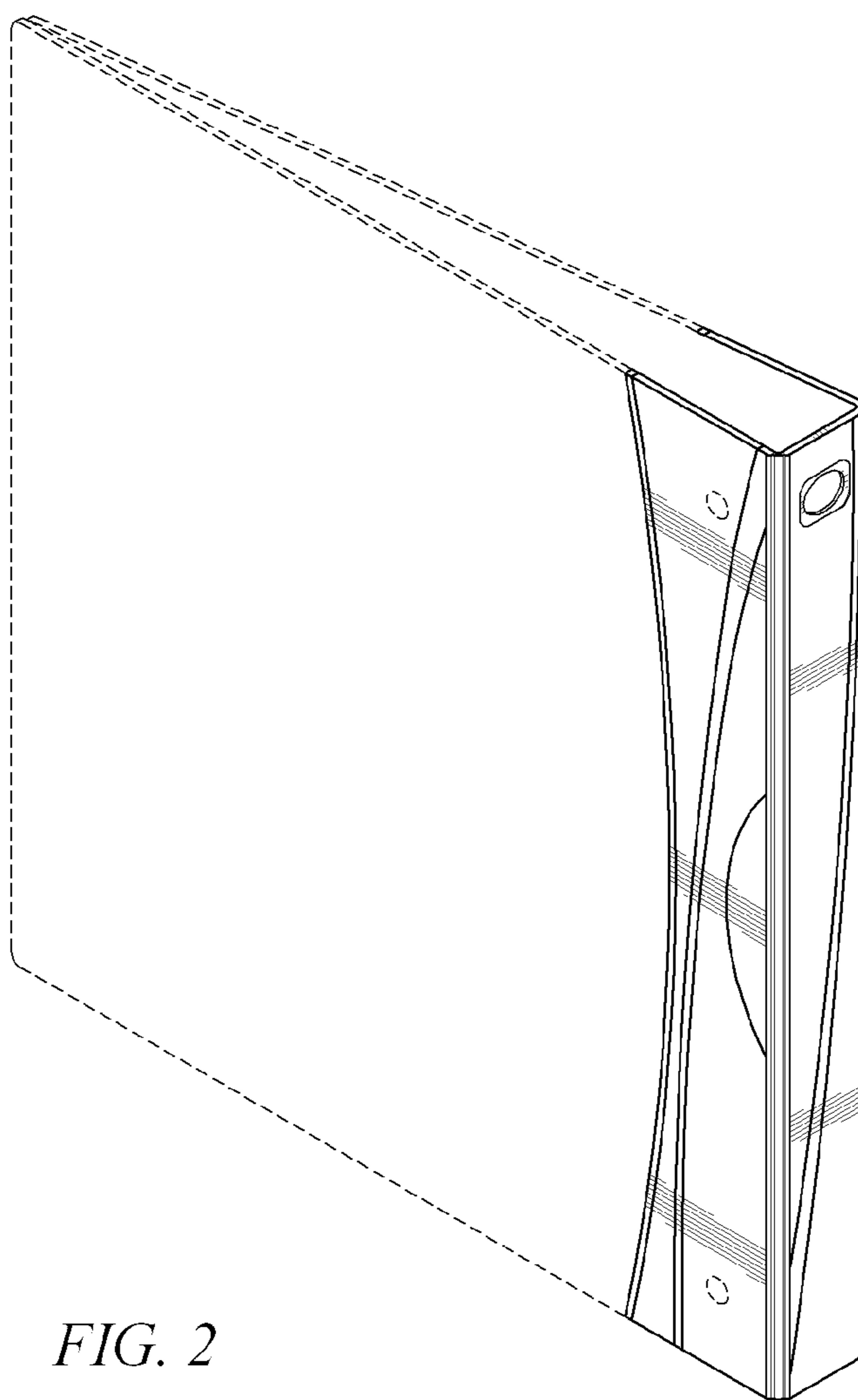


FIG. 2

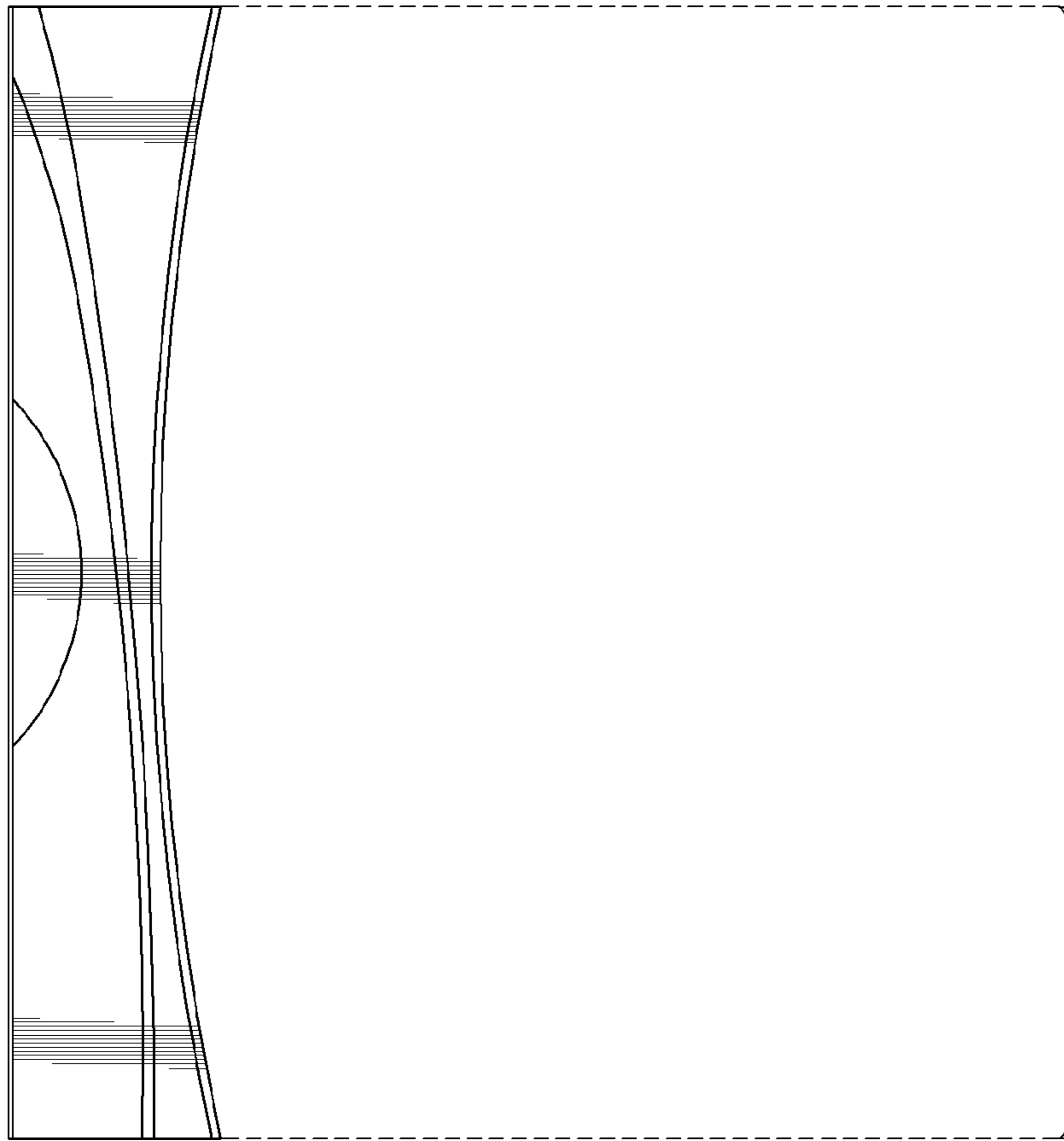


FIG. 3

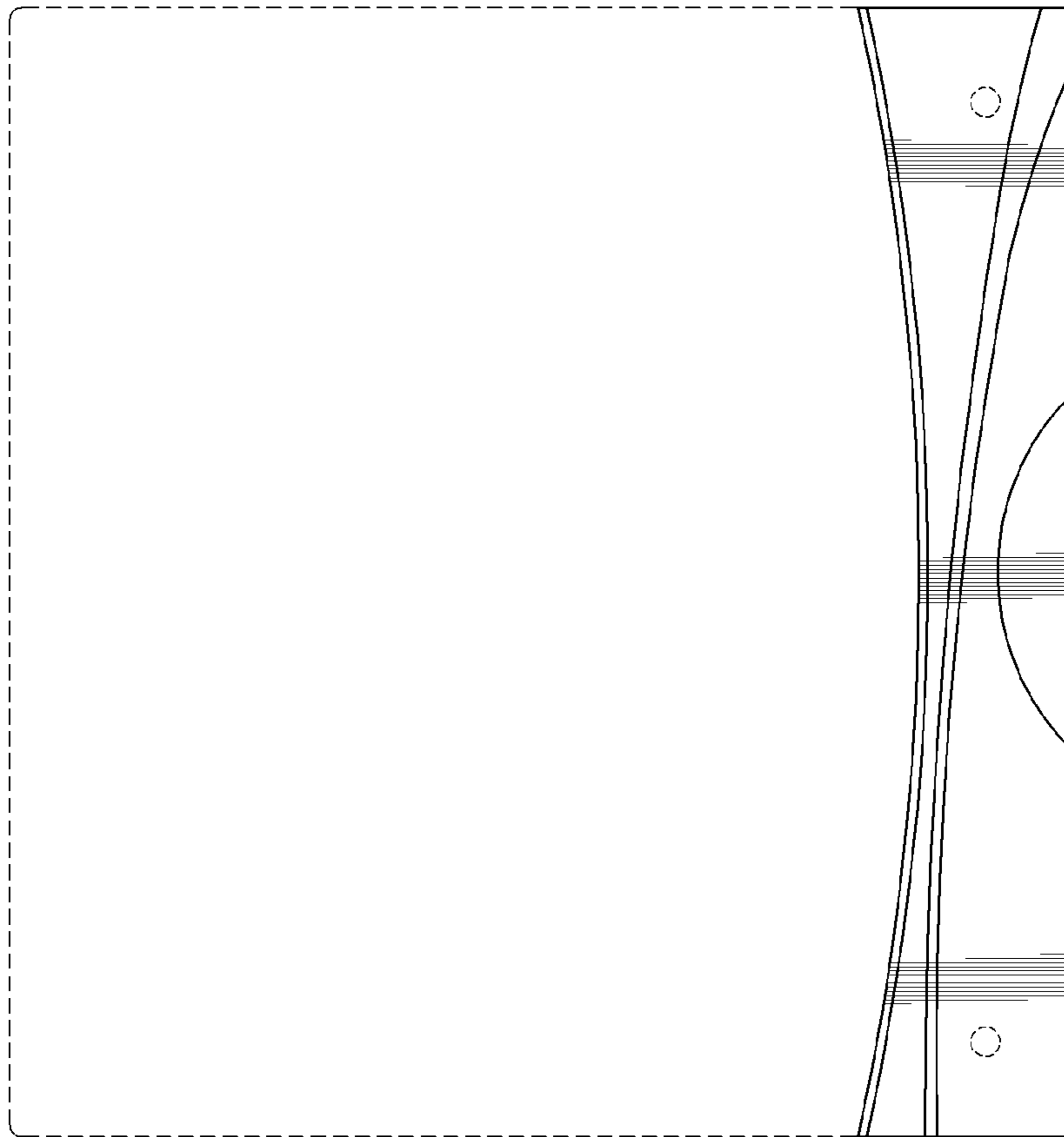


FIG. 4

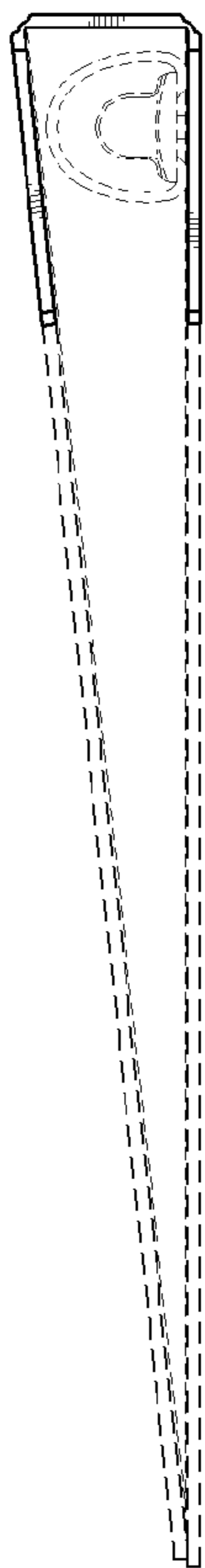


FIG. 5

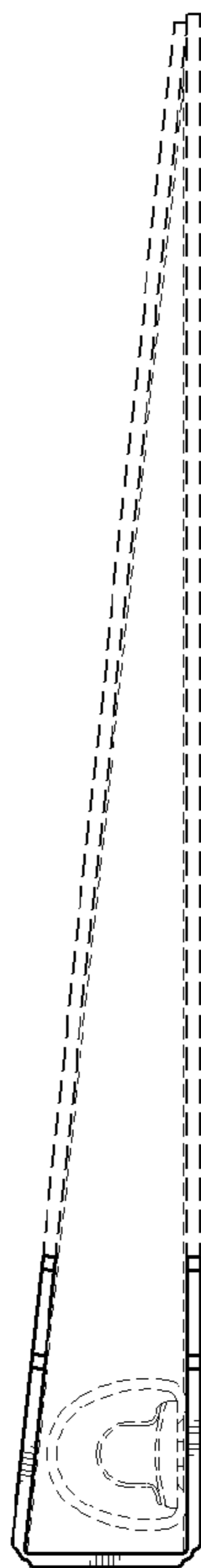


FIG. 6

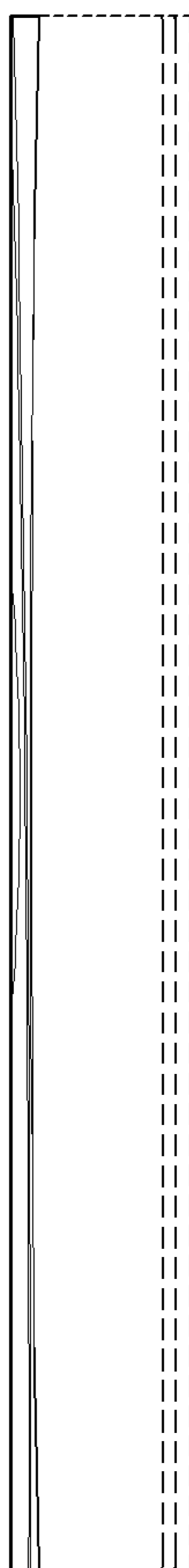


FIG. 7

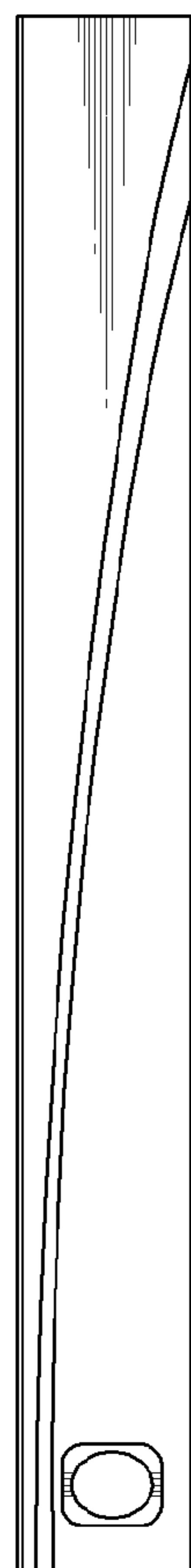


FIG. 8

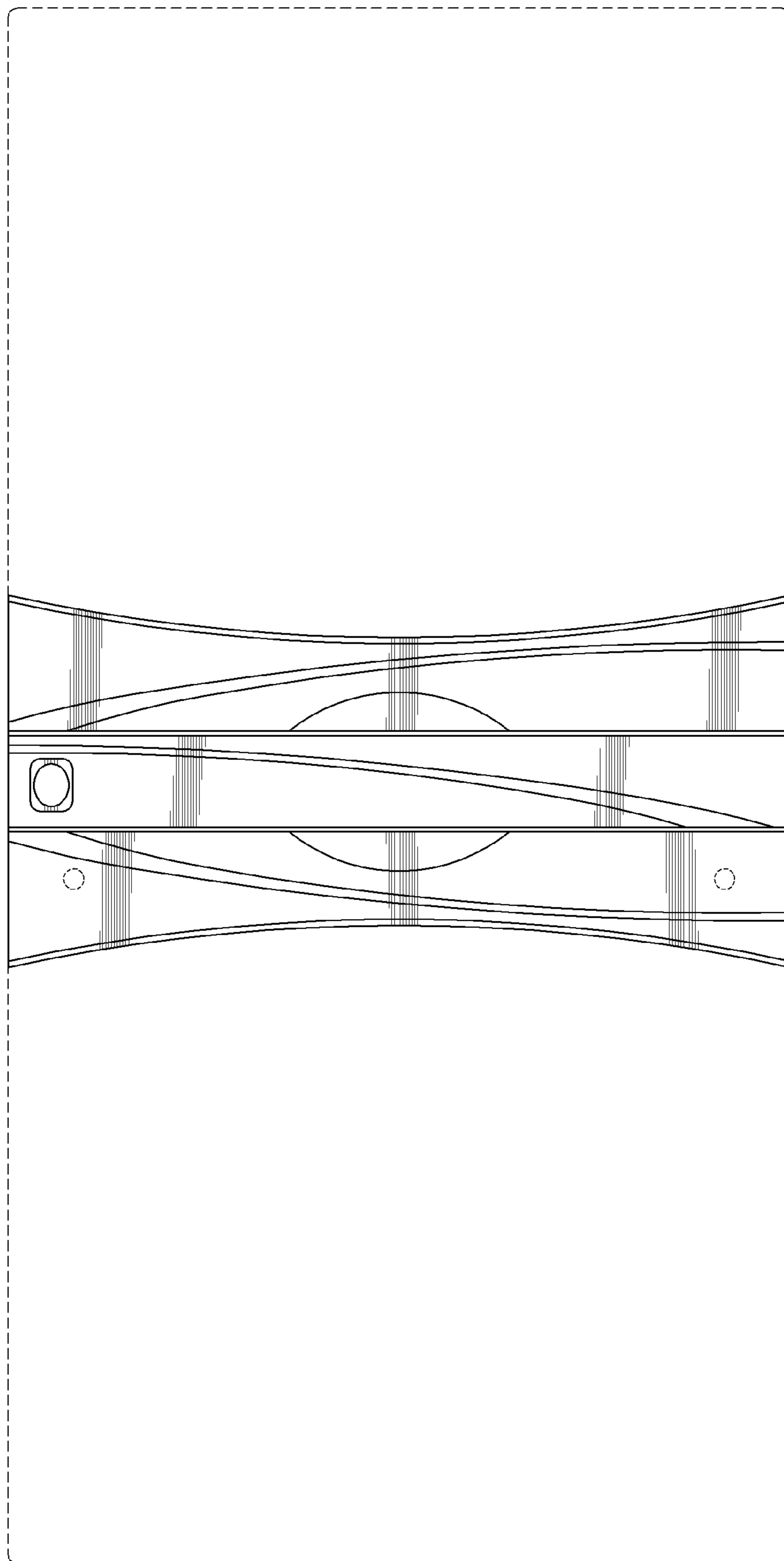


FIG. 9