



US00D649185S

(12) **United States Design Patent**
Bakrania

(10) **Patent No.:** **US D649,185 S**

(45) **Date of Patent:** **** Nov. 22, 2011**

(54) **FOLDER**

(74) *Attorney, Agent, or Firm* — Aka Chan LLP

(76) Inventor: **Falu Bakrania**, San Francisco, CA (US)

(**) Term: **14 Years**

(57) **CLAIM**

The ornamental design for a folder, as shown and described.

(21) Appl. No.: **29/376,245**

DESCRIPTION

(22) Filed: **Oct. 4, 2010**

(51) **LOC (9) Cl.** **19-04**

(52) **U.S. Cl.** **D19/26**

(58) **Field of Classification Search** D2/26-33,
D2/86, 88, 90; D3/205, 303, 900; 402/73;
283/63.1; 229/67.1, 67.3; 281/3.1, 15.1,
281/19.1, 29, 31, 38

See application file for complete search history.

FIG. 1 shows a perspective front view of a first embodiment of a folder with bands holding the folder closed.

FIG. 2 shows a perspective back view of the first embodiment with the bands holding the folder closed.

FIG. 3 shows a front view of the first embodiment with the bands holding the folder closed.

FIG. 4 shows a back view of the first embodiment with the bands holding the folder closed.

FIG. 5 shows a left side view of the first embodiment with the bands holding the folder closed.

FIG. 6 shows a right side view of the first embodiment with the bands holding the folder closed.

FIG. 7 shows a top view of the first embodiment with the bands holding the folder closed. A bottom view of the first embodiment is a mirror image of this top view.

FIG. 8 shows an inside view of the first embodiment with folder flaps open.

FIG. 9 shows an outside view of the first embodiment with folder flaps open.

FIG. 10 shows a top view of the first embodiment with folder flaps open. A bottom view of the first embodiment with folder flaps open is a mirror image of this top view.

FIG. 11 shows a perspective front view of the first embodiment with the bands closed in use with a small stack of paper.

FIG. 12 shows a perspective front view of the first embodiment with the bands closed in use with a large stack of paper.

FIG. 13 shows a perspective front view of a second embodiment of a folder with bands holding the folder closed.

FIG. 14 shows a perspective back view of the second embodiment with the bands holding the folder closed.

FIG. 15 shows a front view of the second embodiment with the bands holding the folder closed.

FIG. 16 shows a back view of the second embodiment with the bands holding the folder closed.

FIG. 17 shows a left side view of the second embodiment with the bands holding the folder closed.

(56) **References Cited**

U.S. PATENT DOCUMENTS

D118,194 S *	12/1939	Trussell	D19/26
D302,699 S *	8/1989	Popat et al.	D19/26
D321,369 S	11/1991	Tooker		
D322,628 S *	12/1991	Young	D19/26
D323,348 S *	1/1992	Tooker	D19/26
5,445,251 A *	8/1995	Redwood	190/109
D374,037 S *	9/1996	Wyant et al.	D19/26
D413,922 S *	9/1999	Thomas	D19/26
D423,572 S *	4/2000	Tedaldi et al.	D19/26
D449,166 S *	10/2001	Shapiro	D3/303
D465,087 S *	11/2002	Shapiro	D3/303
D465,331 S *	11/2002	Shapiro	D3/303
D499,761 S *	12/2004	Walley et al.	D19/26
D513,279 S *	12/2005	Hough et al.	D19/86
D518,105 S *	3/2006	Hough et al.	D19/86
D521,072 S *	5/2006	Hough et al.	D19/90
D523,078 S *	6/2006	Ong	D19/26
D529,963 S *	10/2006	Hough et al.	D19/90
7,252,452 B2 *	8/2007	Africa et al.	402/73
D596,842 S *	7/2009	Cooper	D3/205
D599,851 S *	9/2009	Savoy	D19/26
D604,360 S *	11/2009	Savoy	D19/26
D618,277 S *	6/2010	Baker et al.	D19/27
2010/0032473 A1 *	2/2010	Grassia	229/67.1

* cited by examiner

Primary Examiner — T. Chase Nelson

Assistant Examiner — Kathleen M Sims

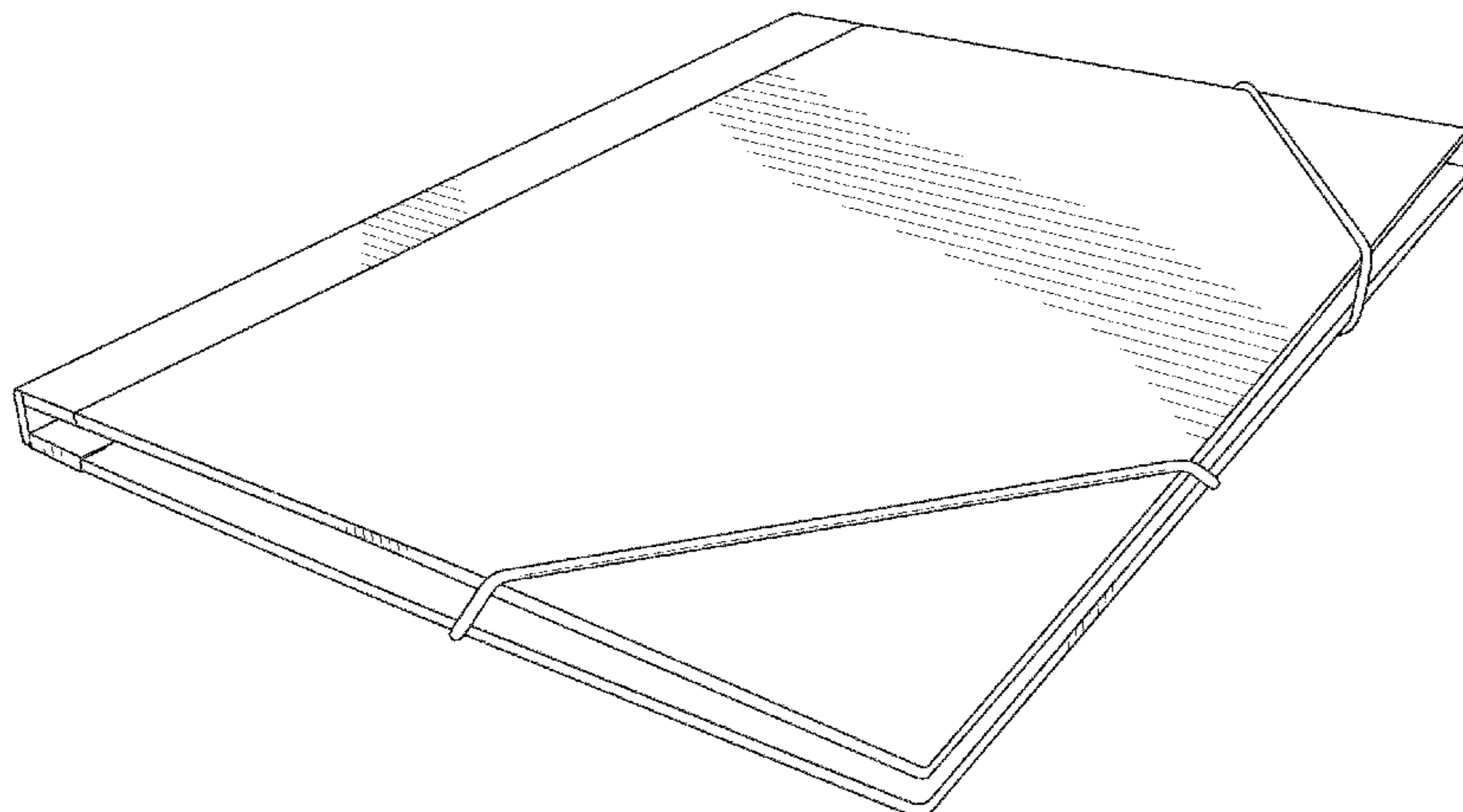


FIG. 18 shows a right side view of the second embodiment with the bands holding the folder closed.

FIG. 19 shows a top view of the second embodiment with the bands holding the folder closed. A bottom view of the second embodiment is a mirror image of this top view.

FIG. 20 shows an inside view of the second embodiment with folder flaps open.

FIG. 21 shows an outside view of the second embodiment with folder flaps open.

FIG. 22 shows a top view of the second embodiment with folder flaps open. A bottom view of the second embodiment with folder flaps open is a mirror image of this top view.

FIG. 23 shows a perspective front view of the second embodiment with the bands closed in use with a small stack of paper.

FIG. 24 shows a perspective front view of the second embodiment with the bands closed in use with a large stack of paper.

FIG. 25 shows a perspective front view of a third embodiment of a folder with bands holding the folder closed.

FIG. 26 shows a perspective back view of the third embodiment with the bands holding the folder closed.

FIG. 27 shows a front view of the third embodiment with the bands holding the folder closed.

FIG. 28 shows a back view of the third embodiment with the bands holding the folder closed.

FIG. 29 shows a left side view of the third embodiment with the bands holding the folder closed.

FIG. 30 shows a right side view of the third embodiment with the bands holding the folder closed.

FIG. 31 shows a top view of the third embodiment with the bands holding the folder closed. A bottom view of the third embodiment is a mirror image of this top view.

FIG. 32 shows an outside view of the third embodiment with folder flaps open.

FIG. 33 shows a perspective front view of the third embodiment with the bands closed in use with a small stack of paper; and,

FIG. 34 shows a perspective front view of the third embodiment with the bands closed in use with a large stack of paper.

The broken line showing of a stack of paper in FIGS. 11, 12, 23, 24, 33, and 34; cover trim in FIGS. 13-16, and 19-24; interior fasteners in FIGS. 18-20, 22, 30, and 31 is included for the purpose of showing environmental portions of the folder and forms no part of the claimed design.

1 Claim, 31 Drawing Sheets

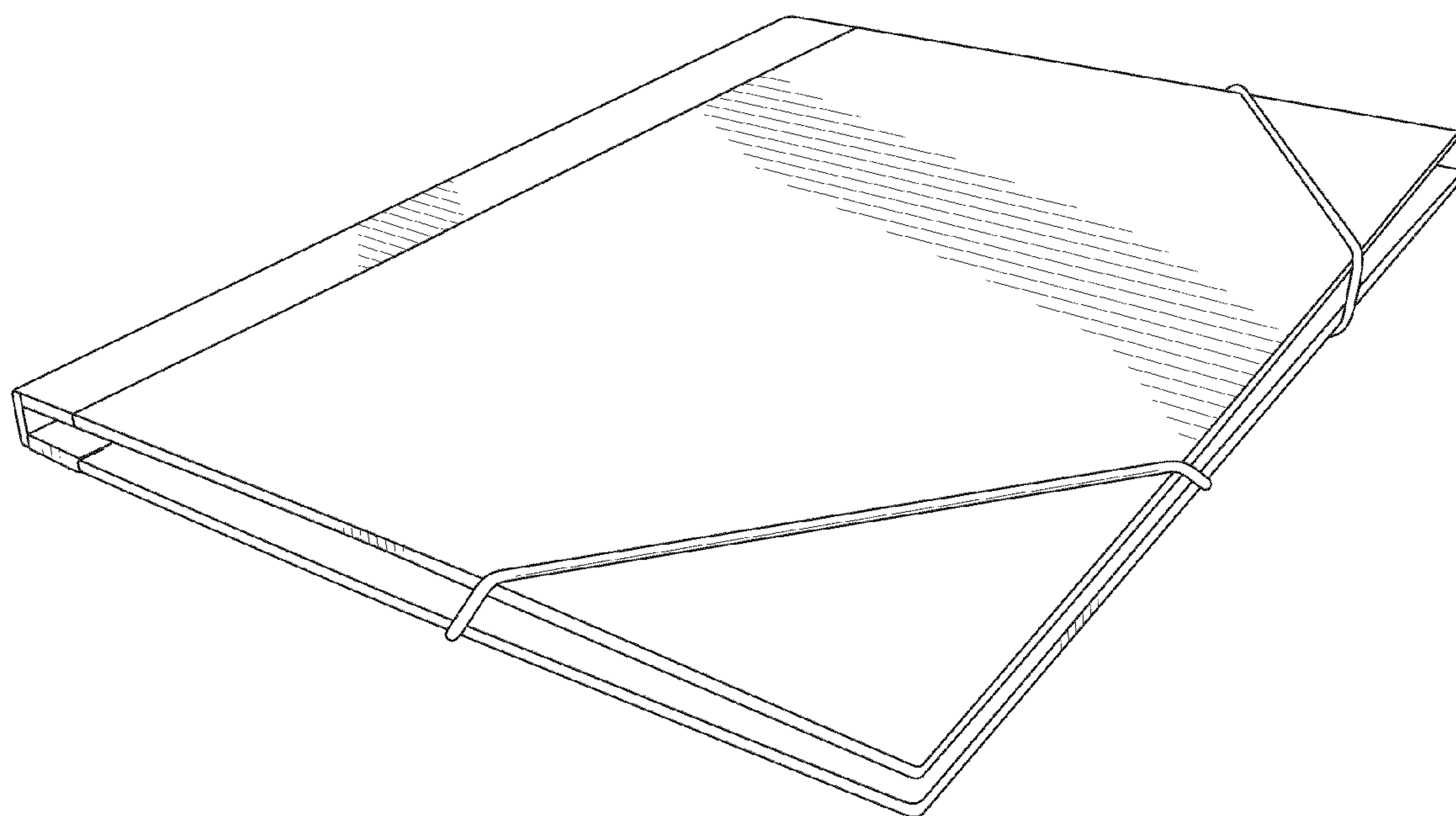


FIG. 1

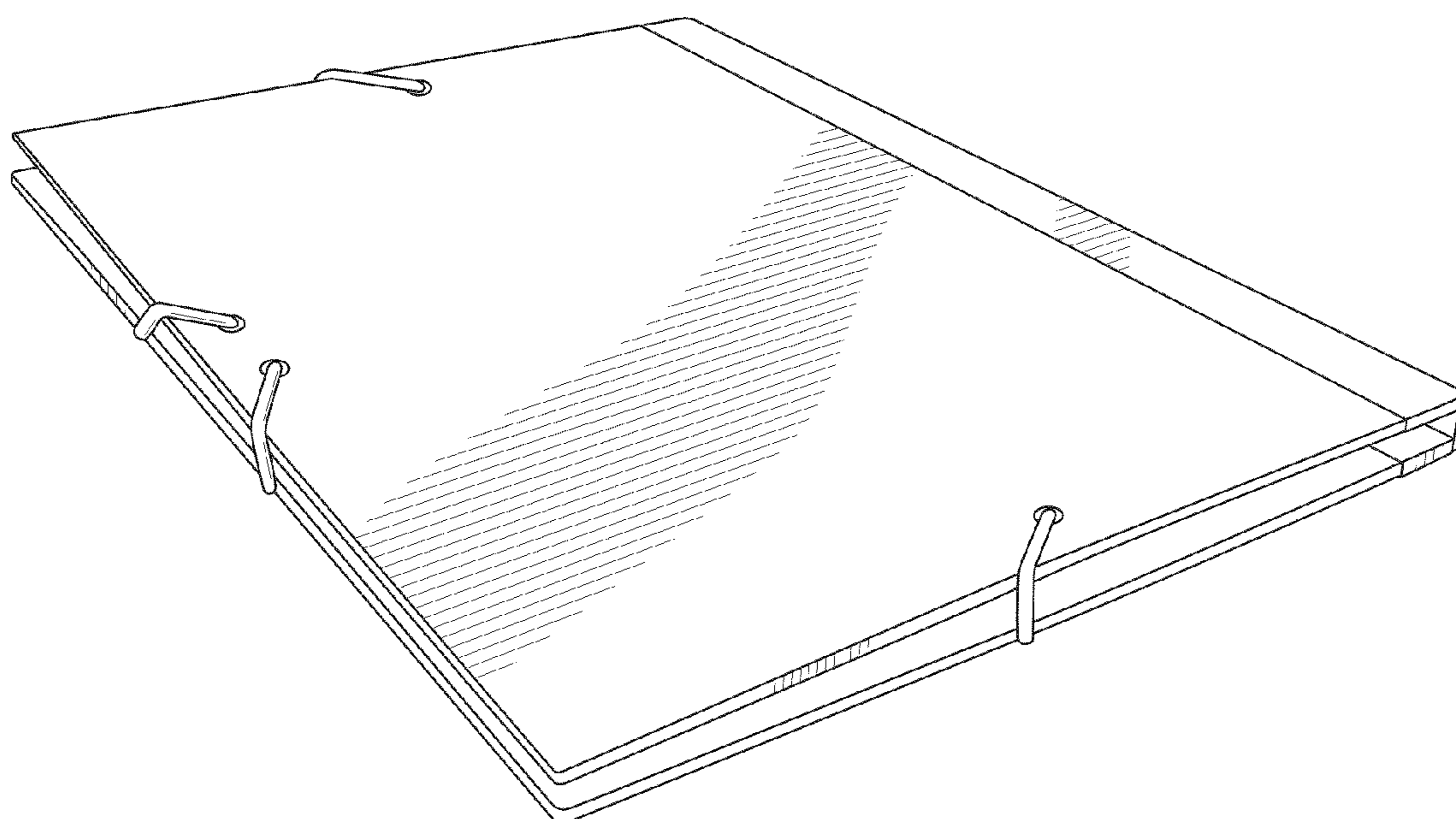


FIG. 2

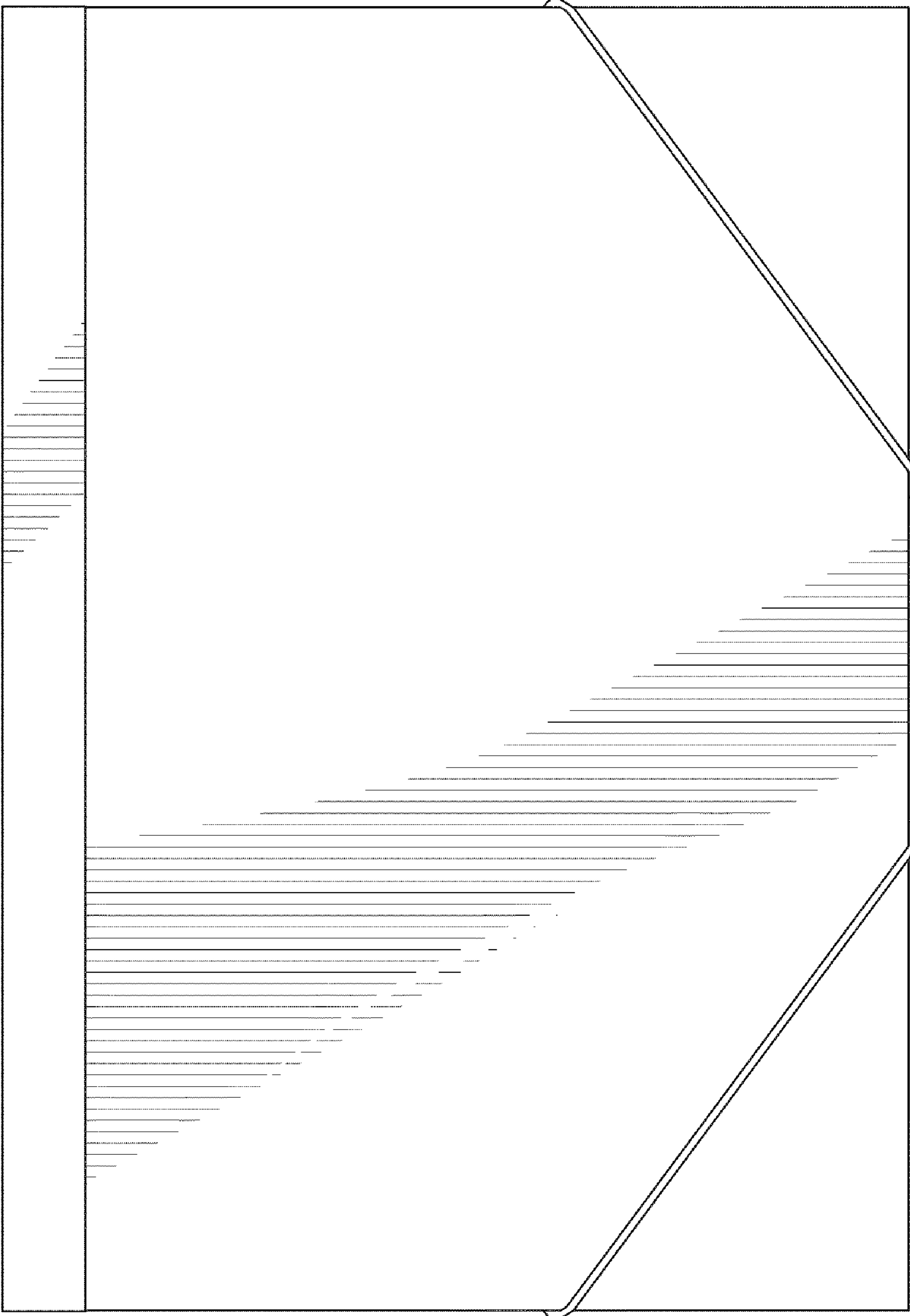


FIG. 3

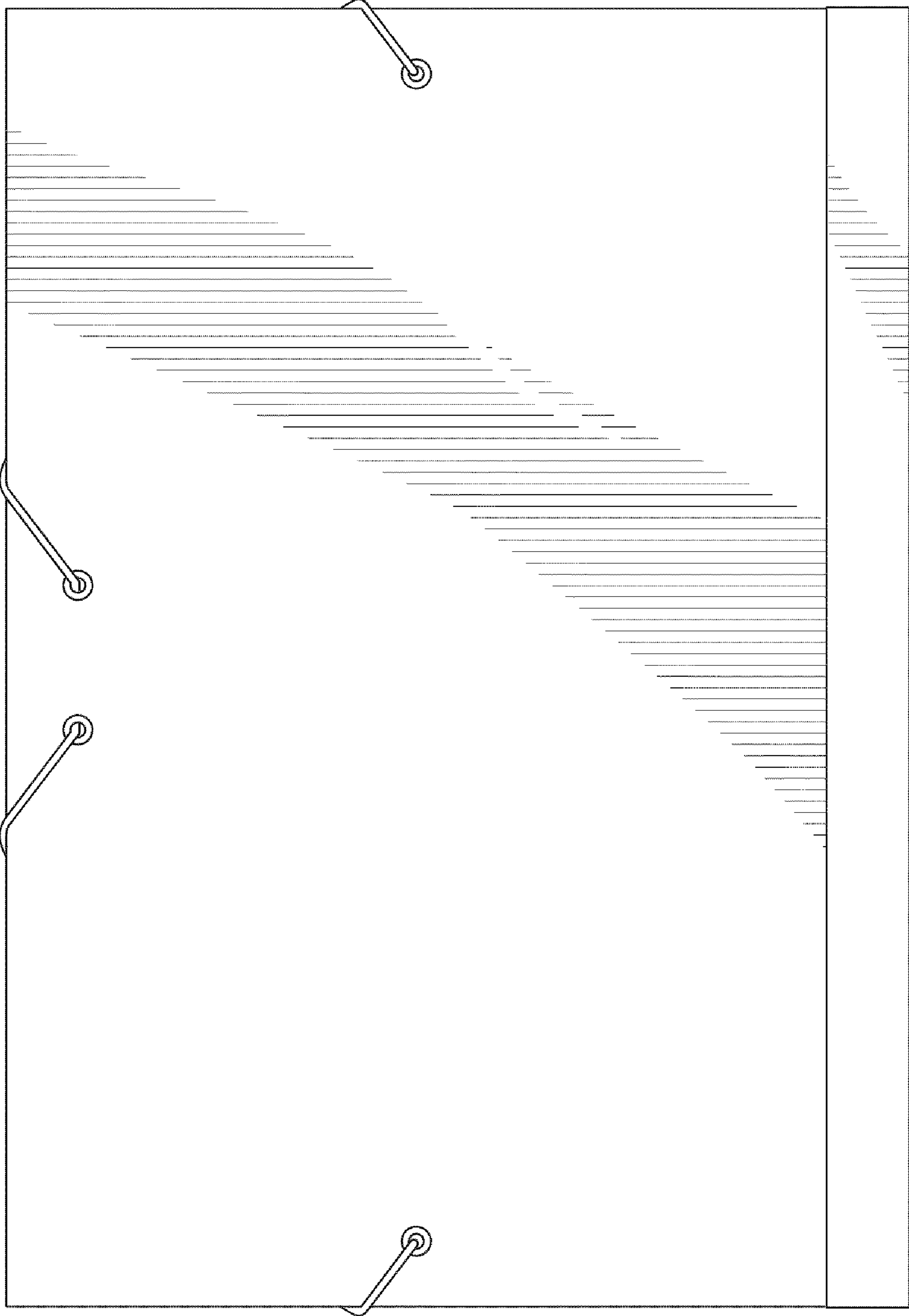


FIG. 4

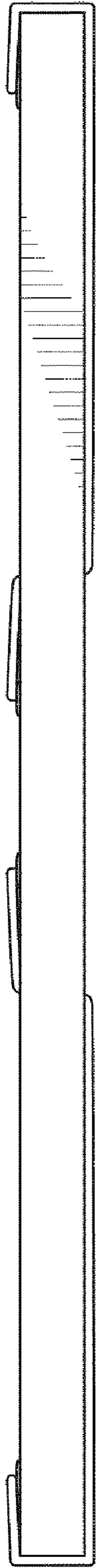


FIG. 5

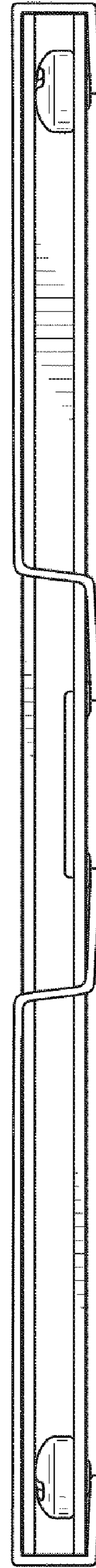


FIG. 6

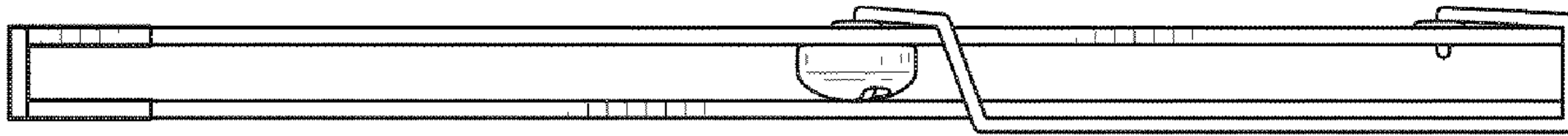


FIG. 7

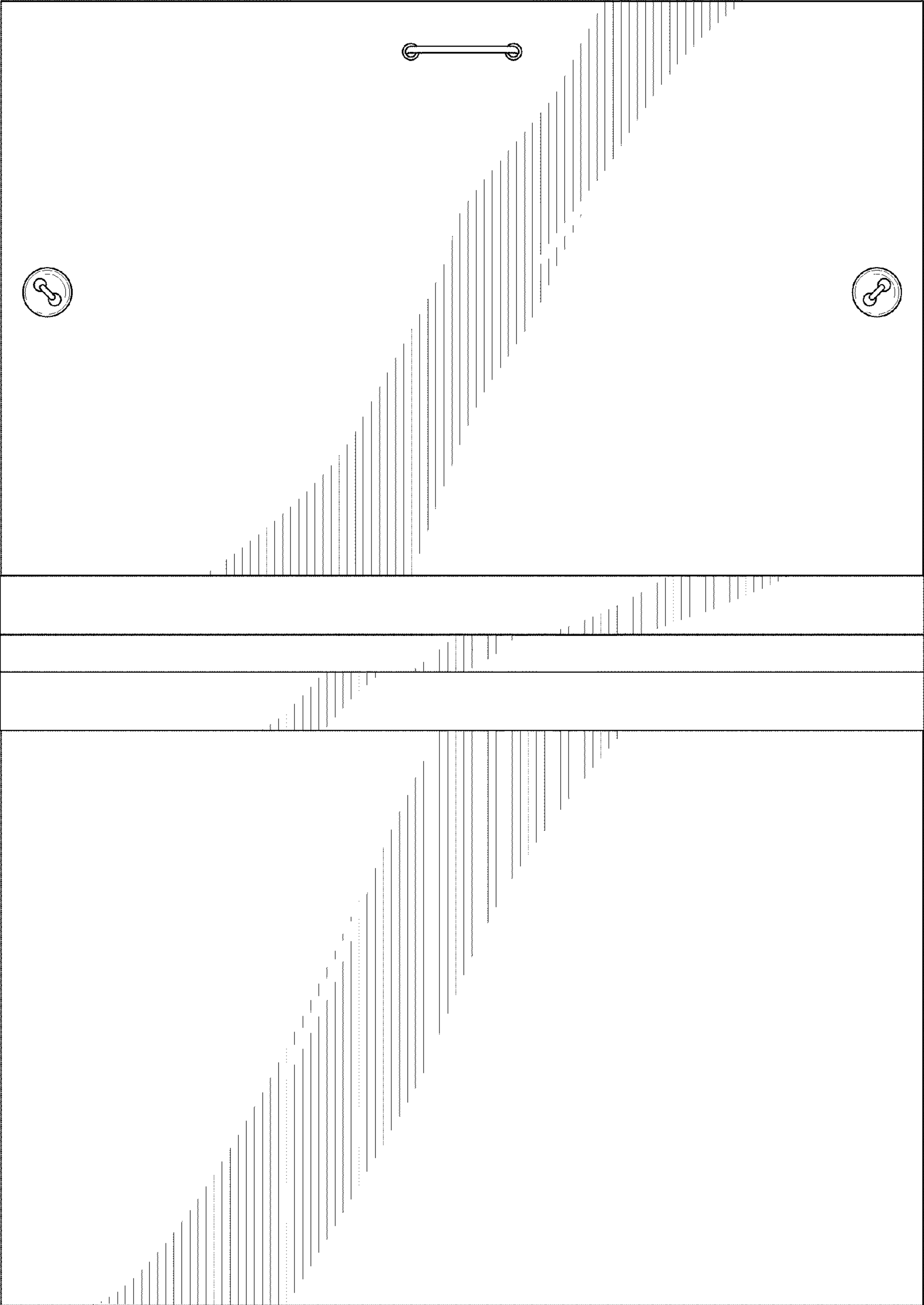


FIG. 8

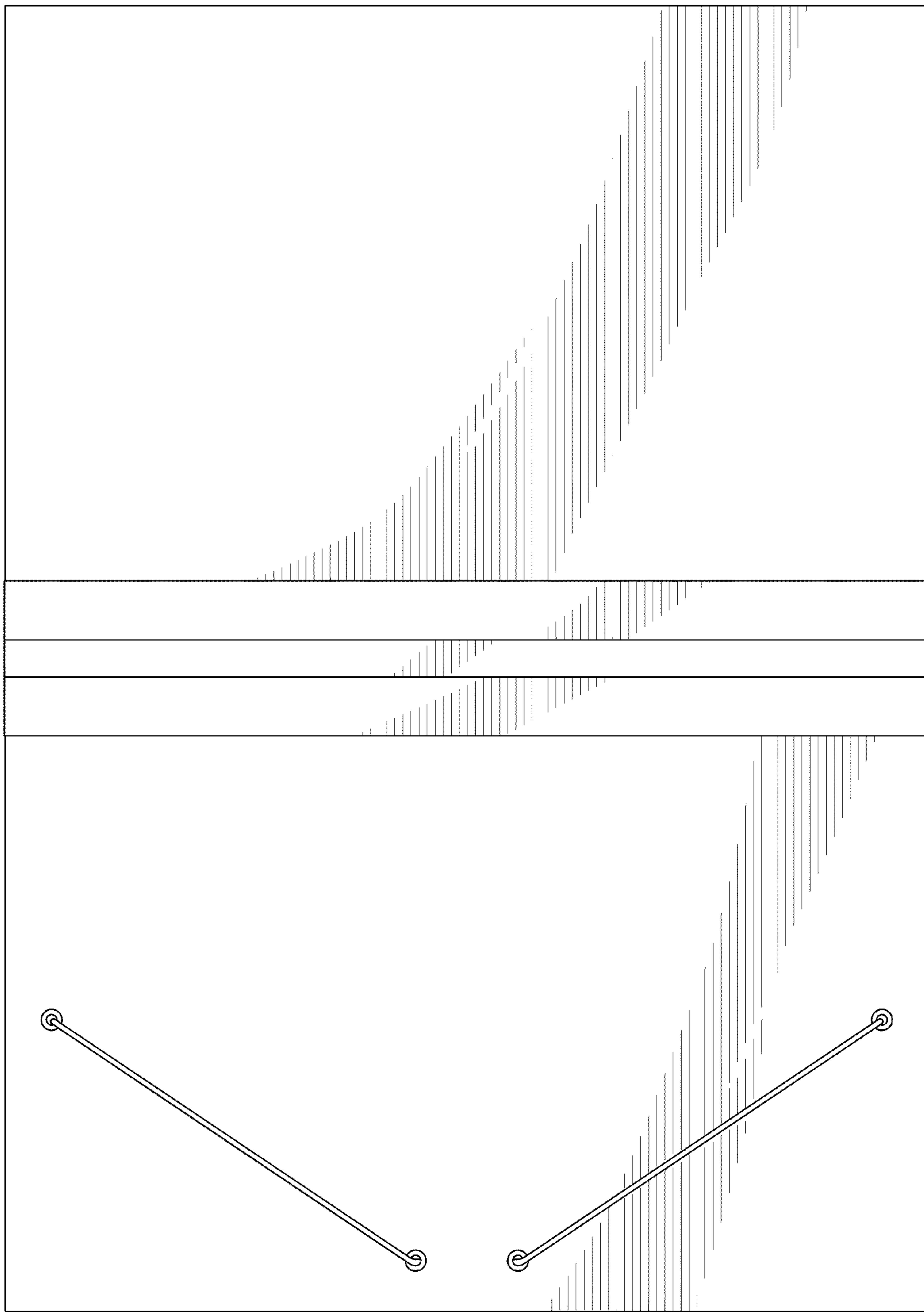


FIG. 9

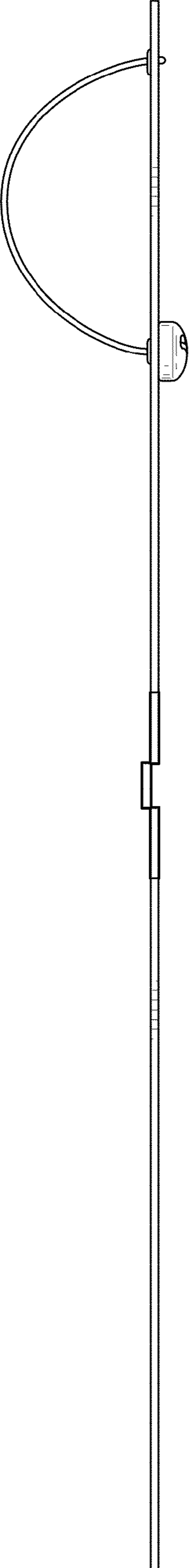


FIG. 10

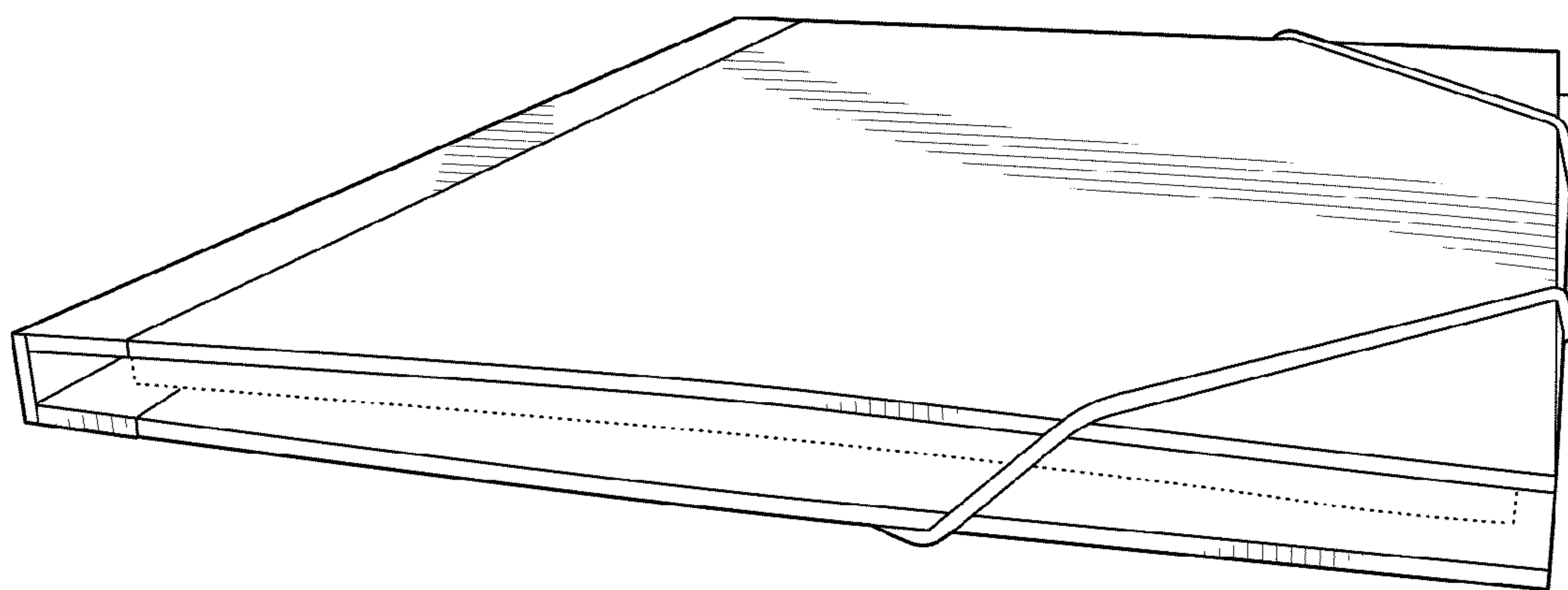


FIG. 11

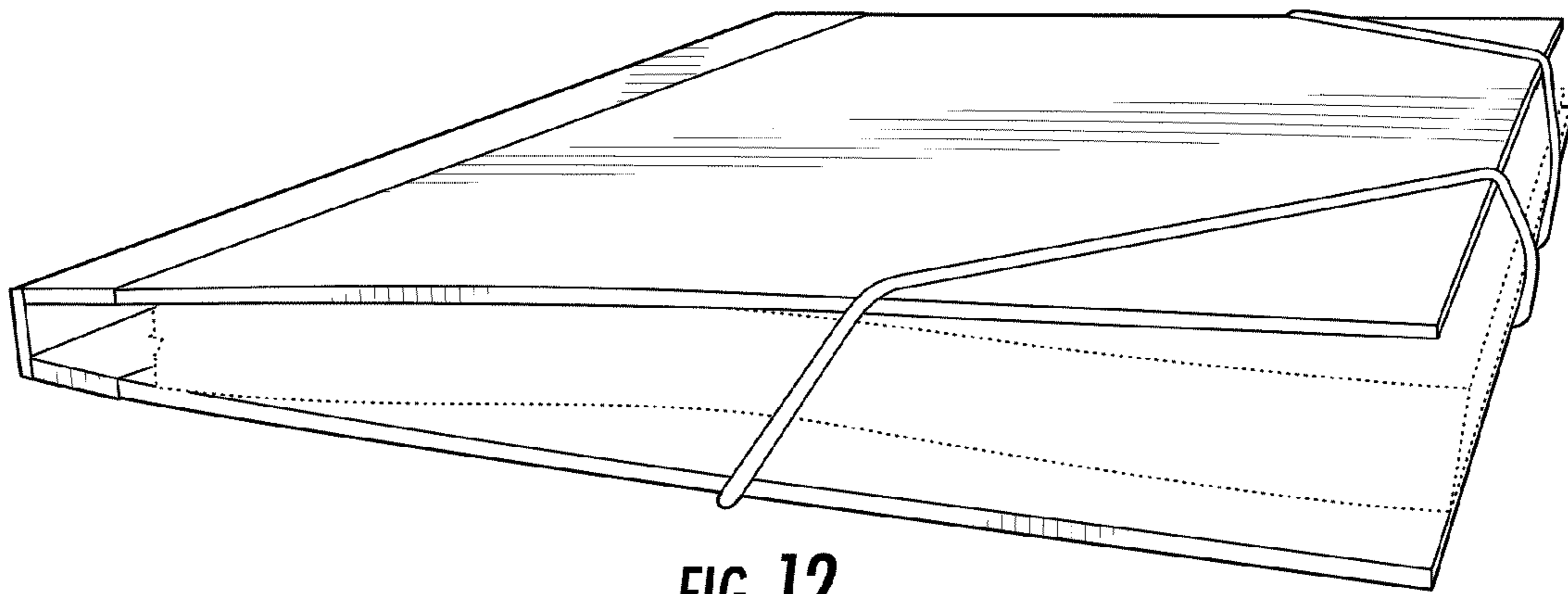


FIG. 12

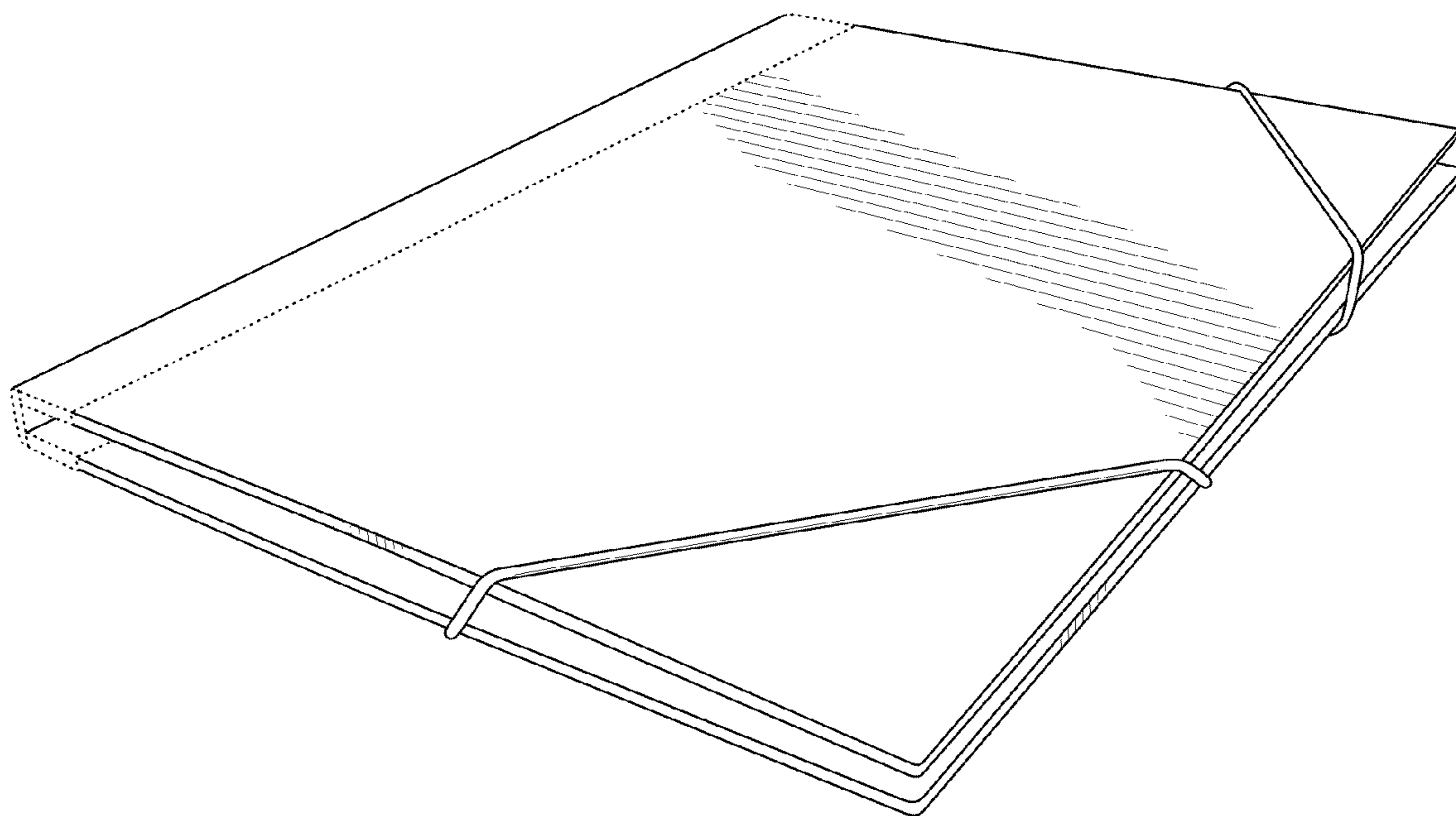


FIG. 13

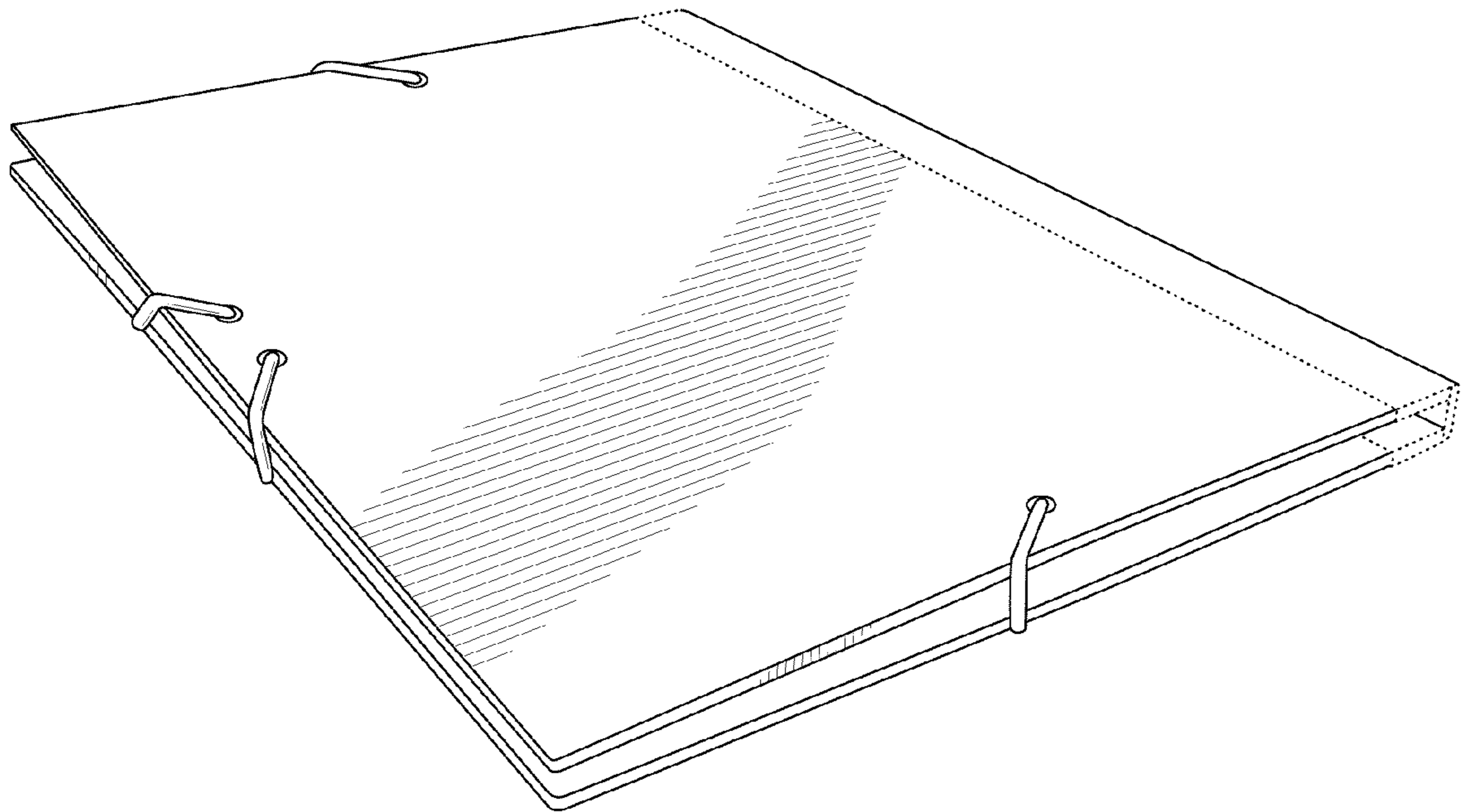


FIG. 14

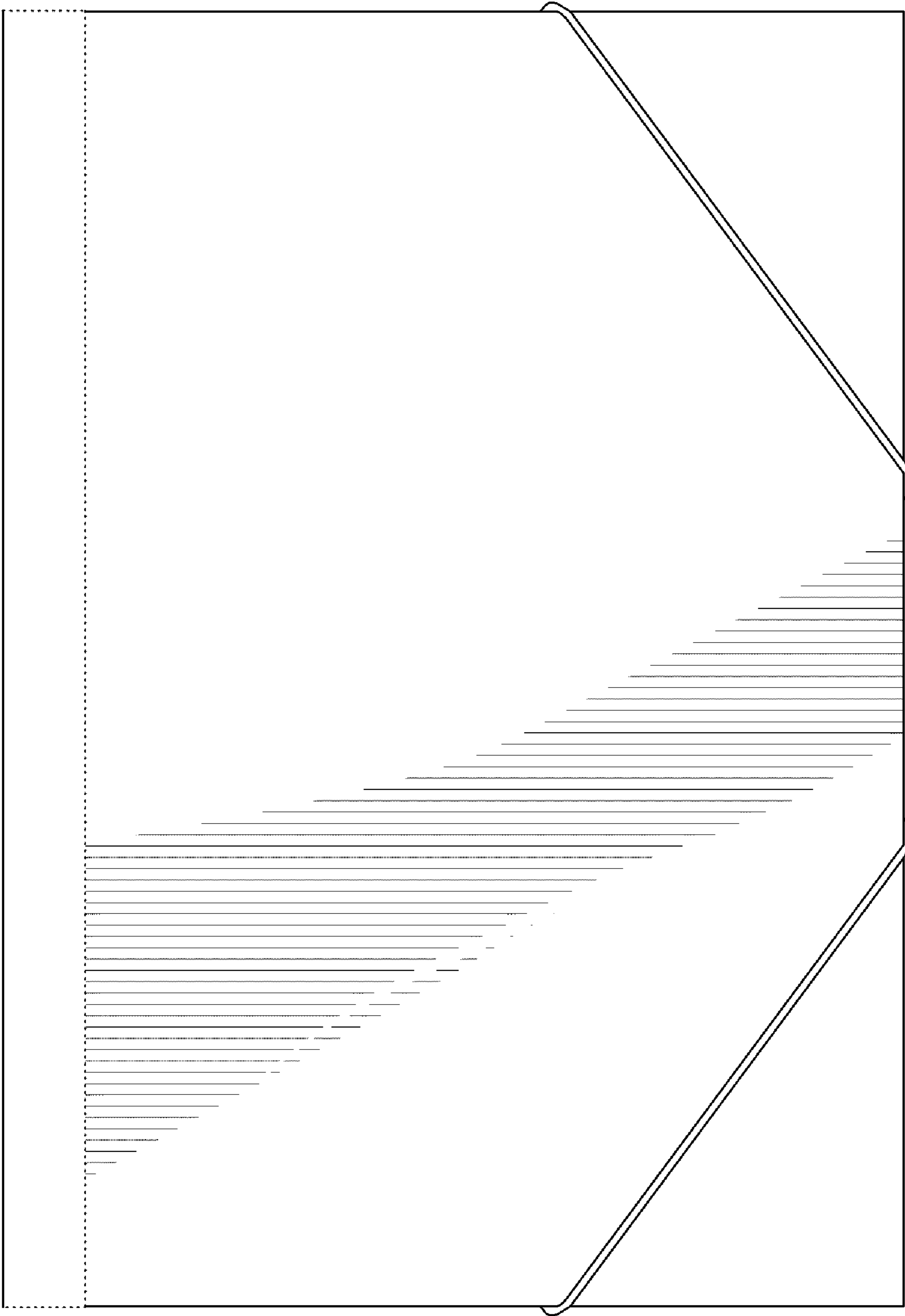


FIG. 15

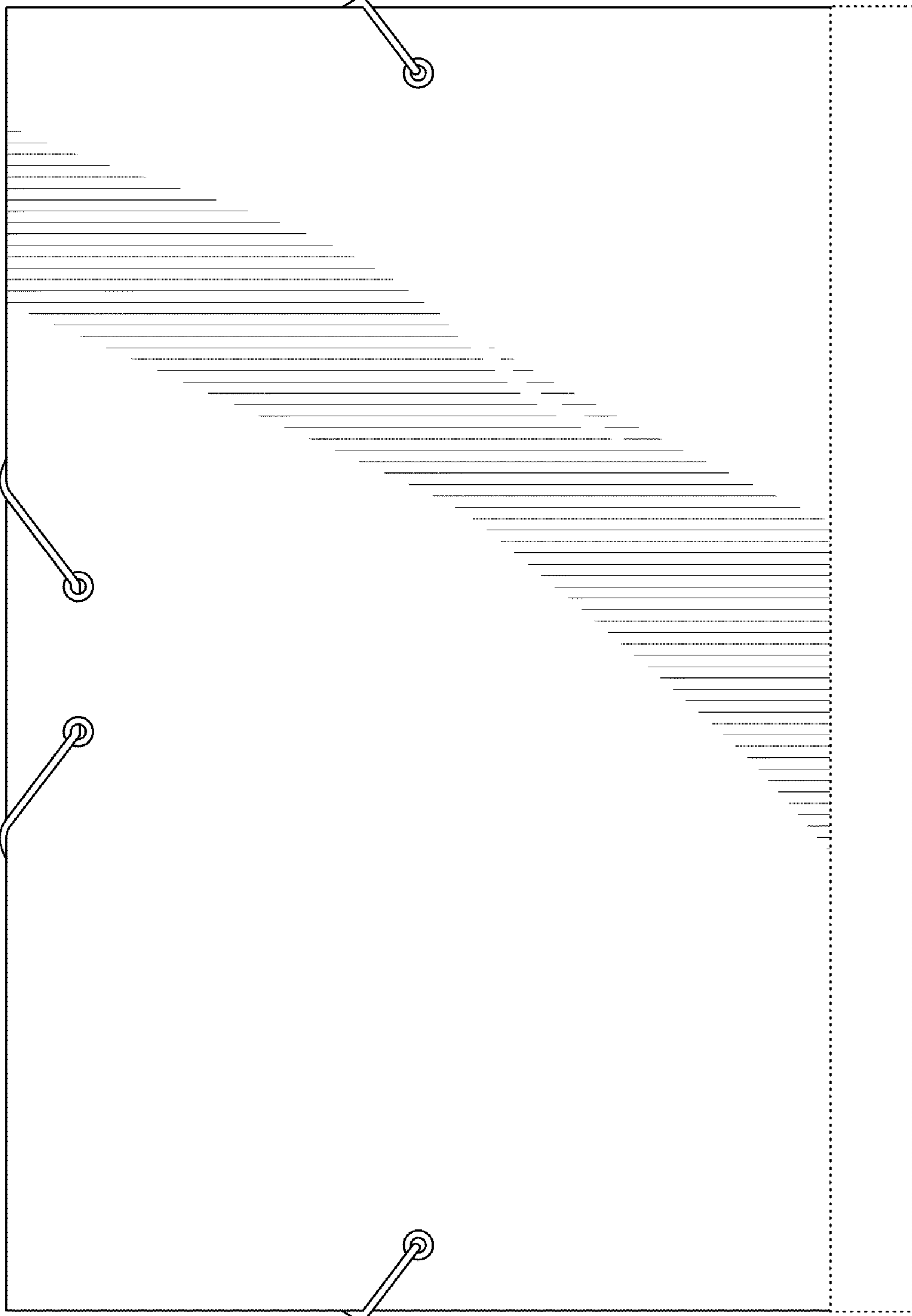


FIG. 16

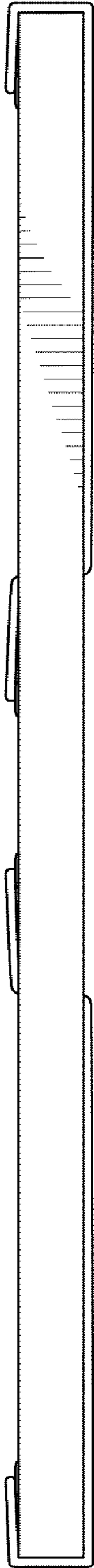


FIG. 17

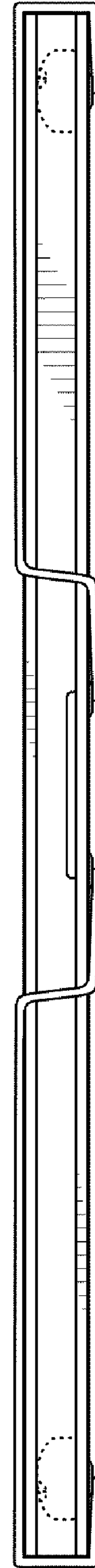


FIG. 18

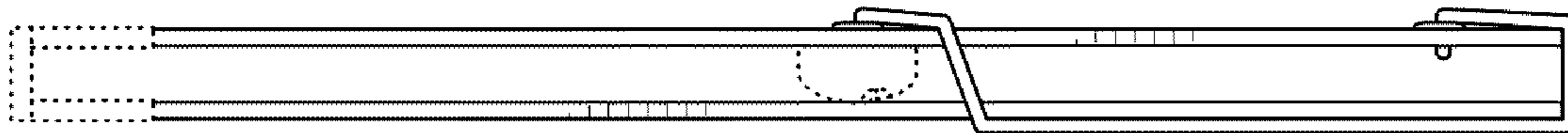


FIG. 19

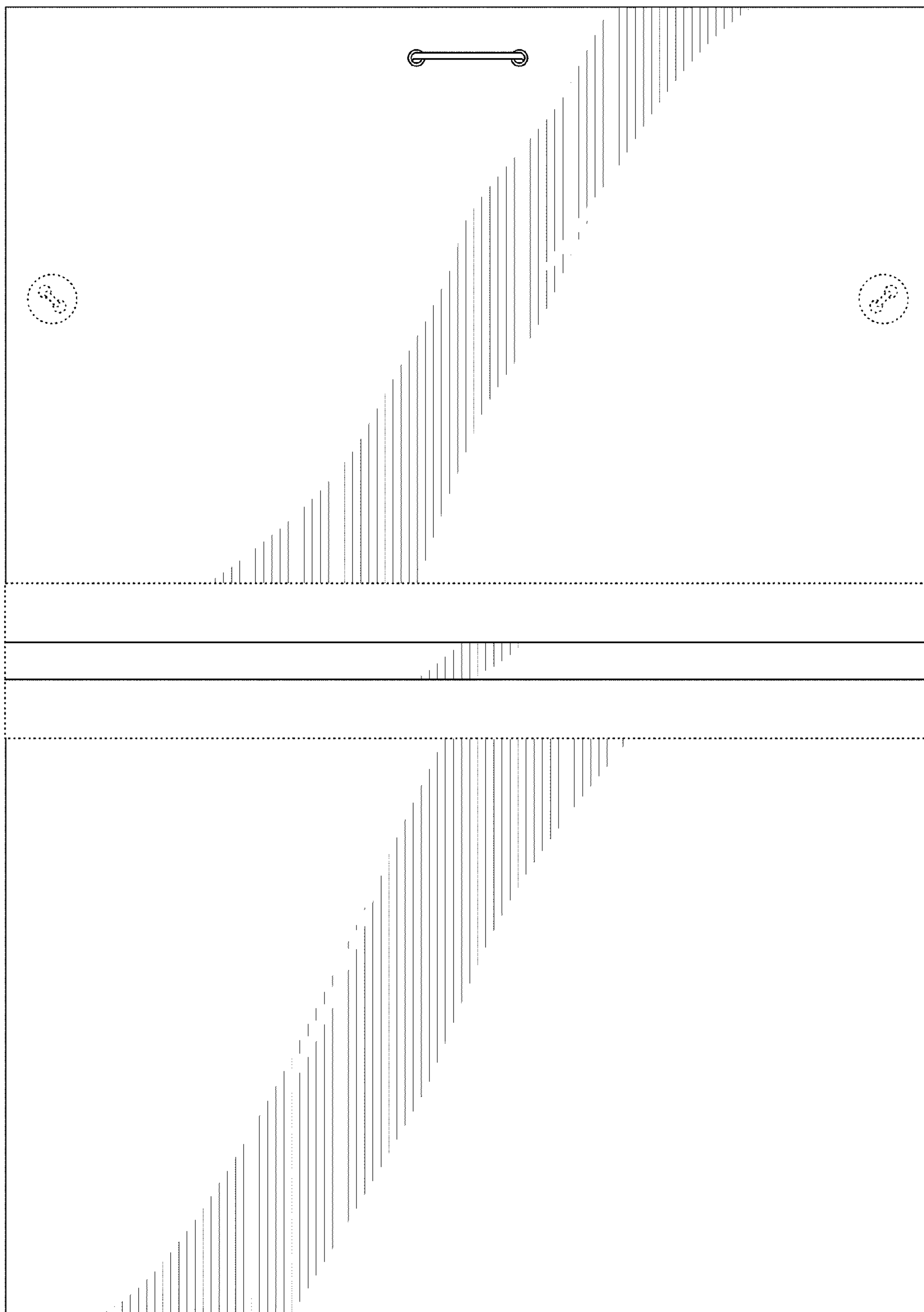


FIG. 20

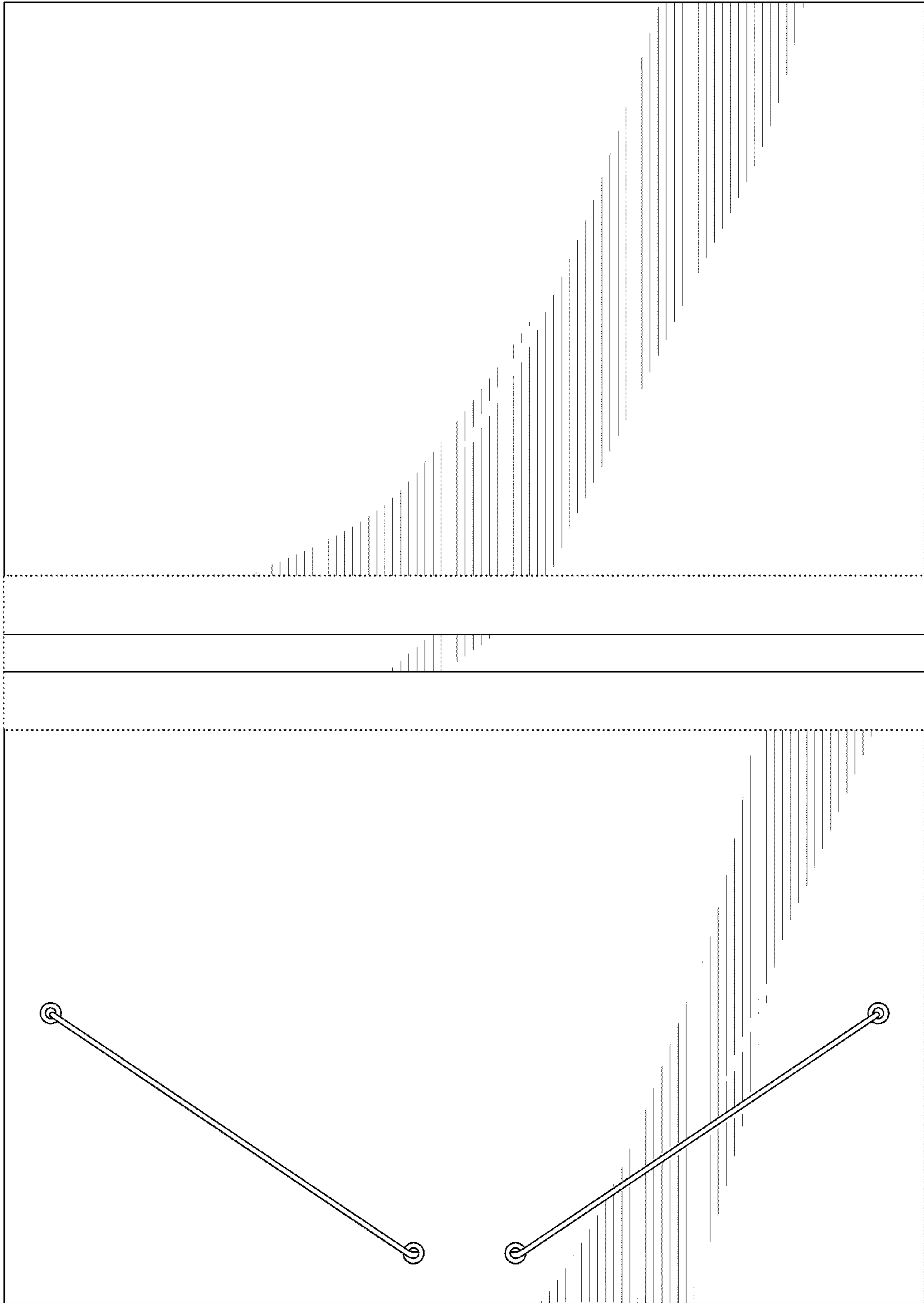


FIG. 21

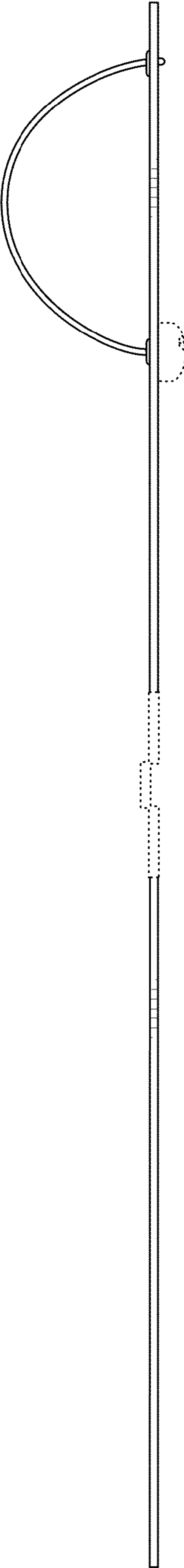


FIG. 22

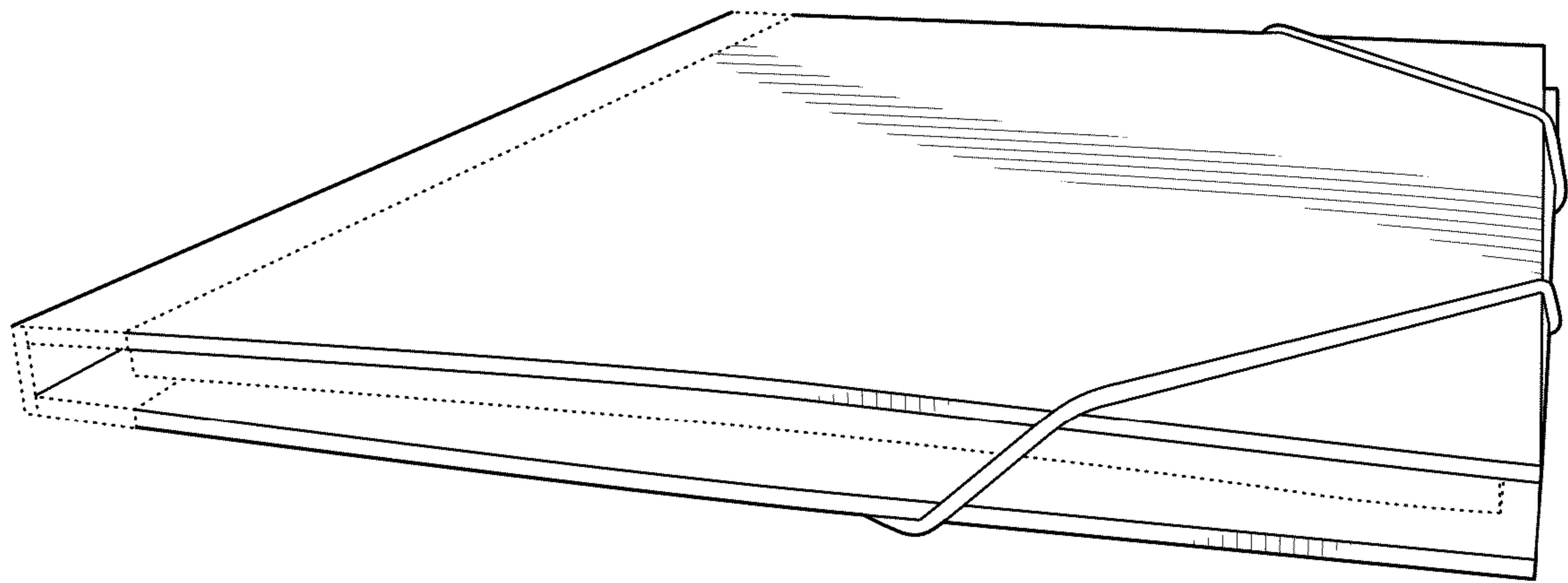


FIG. 23

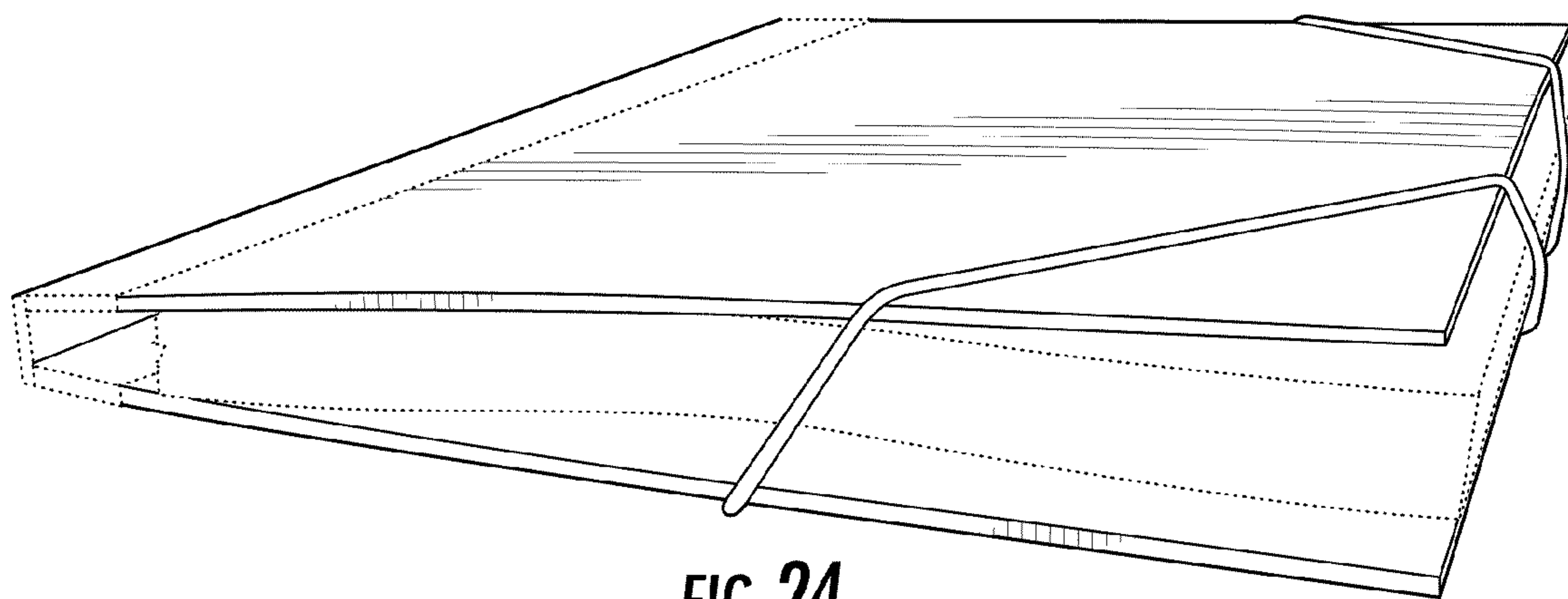


FIG. 24

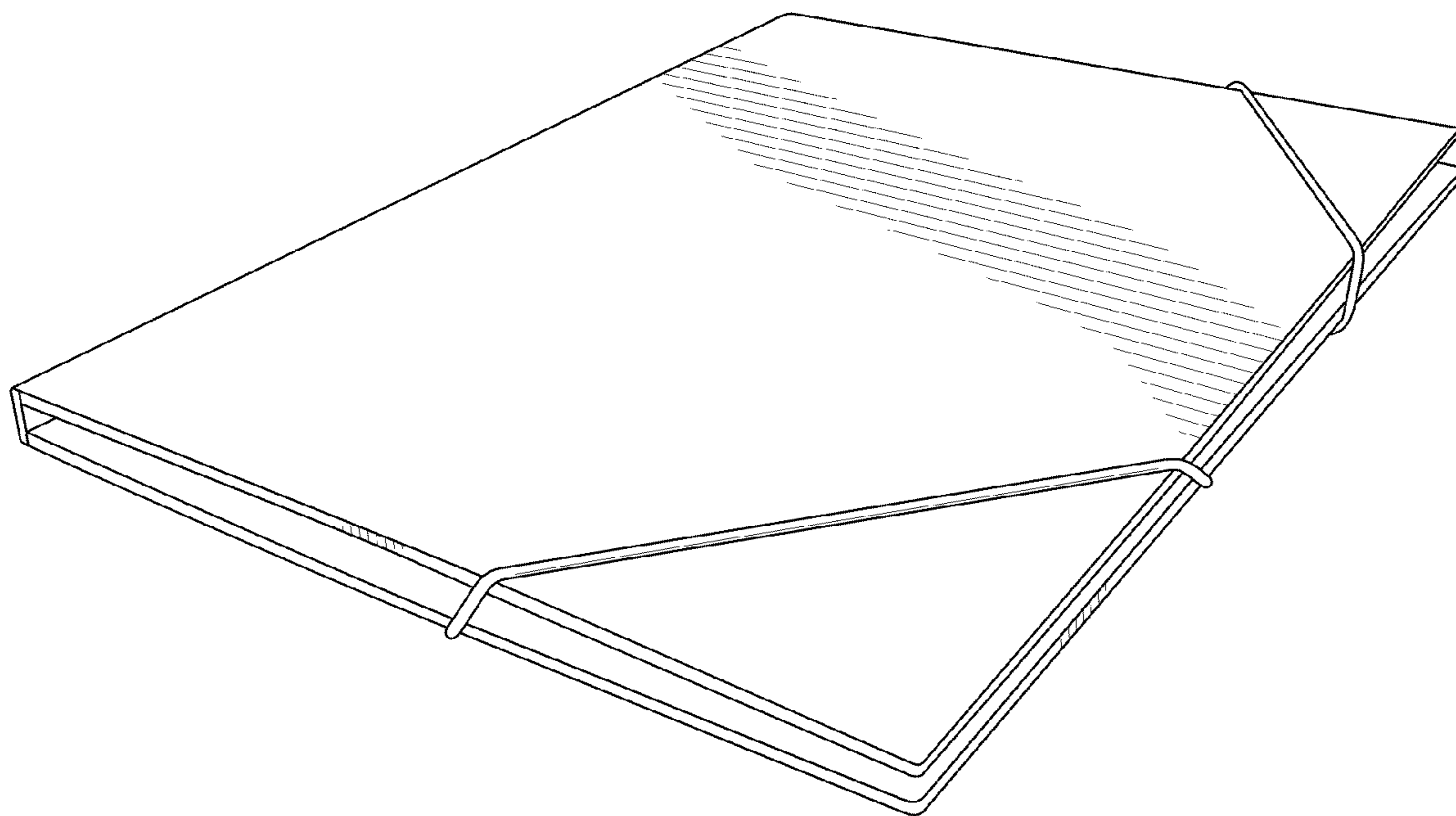


FIG. 25

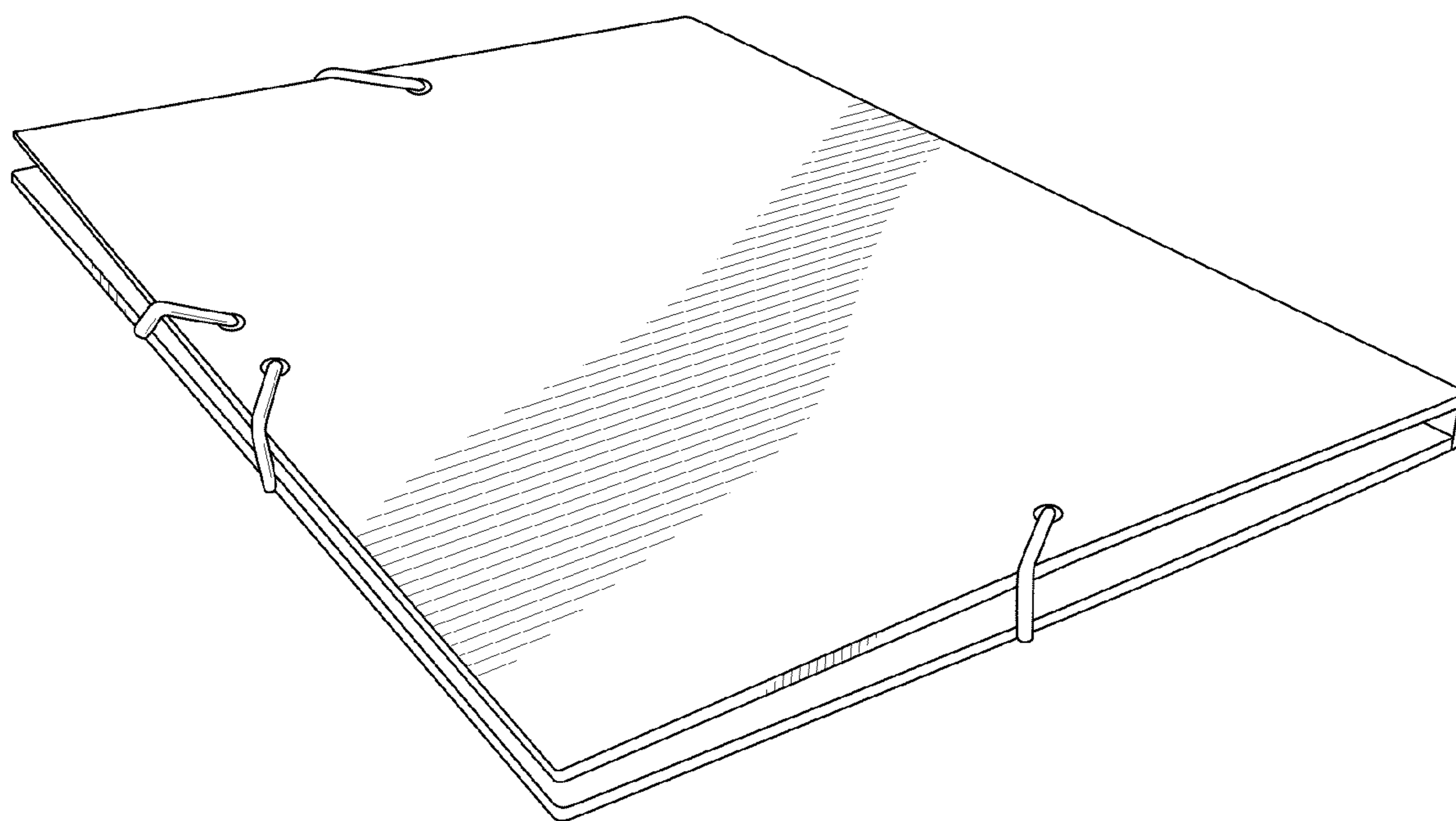


FIG. 26

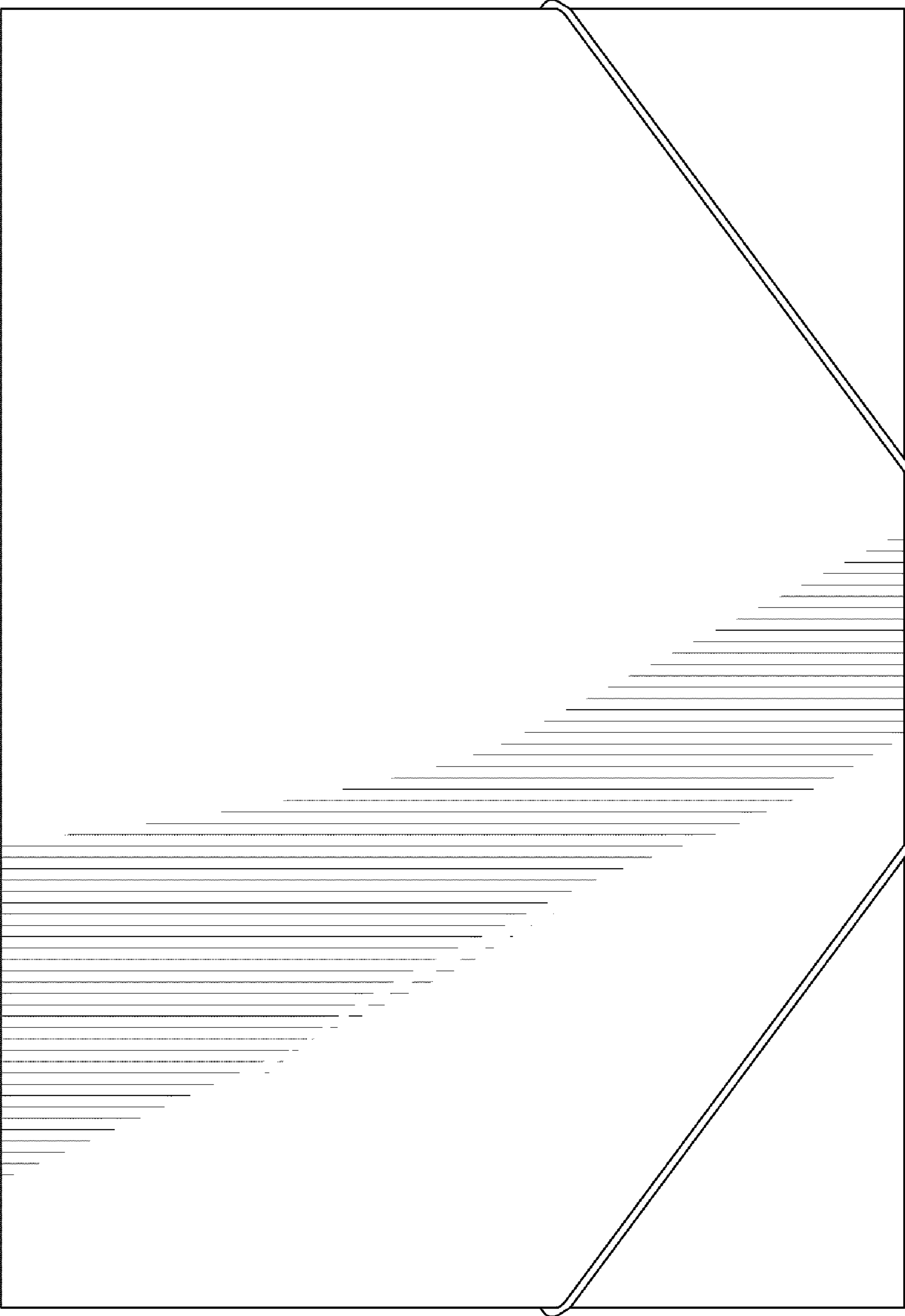


FIG. 27

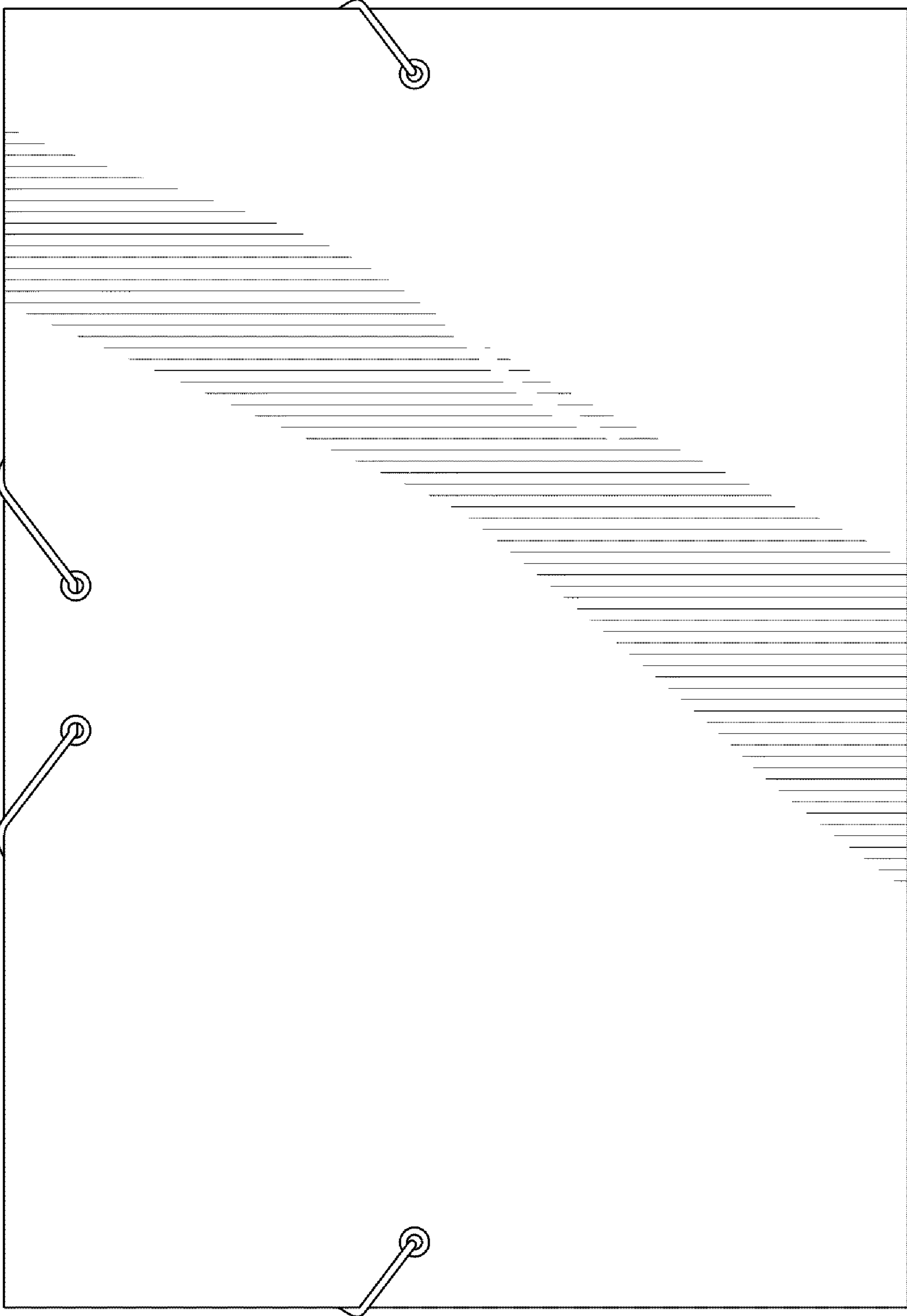


FIG. 28



FIG. 29

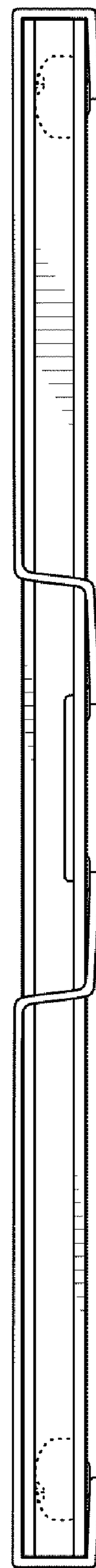


FIG. 30

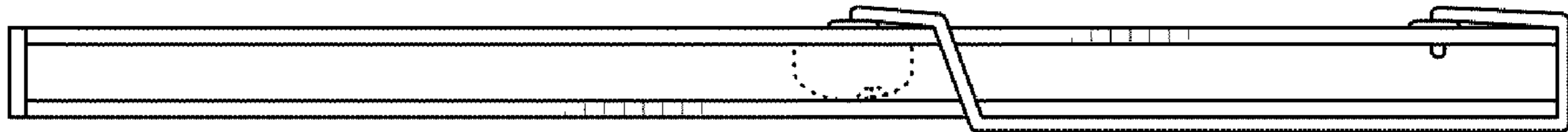


FIG. 31

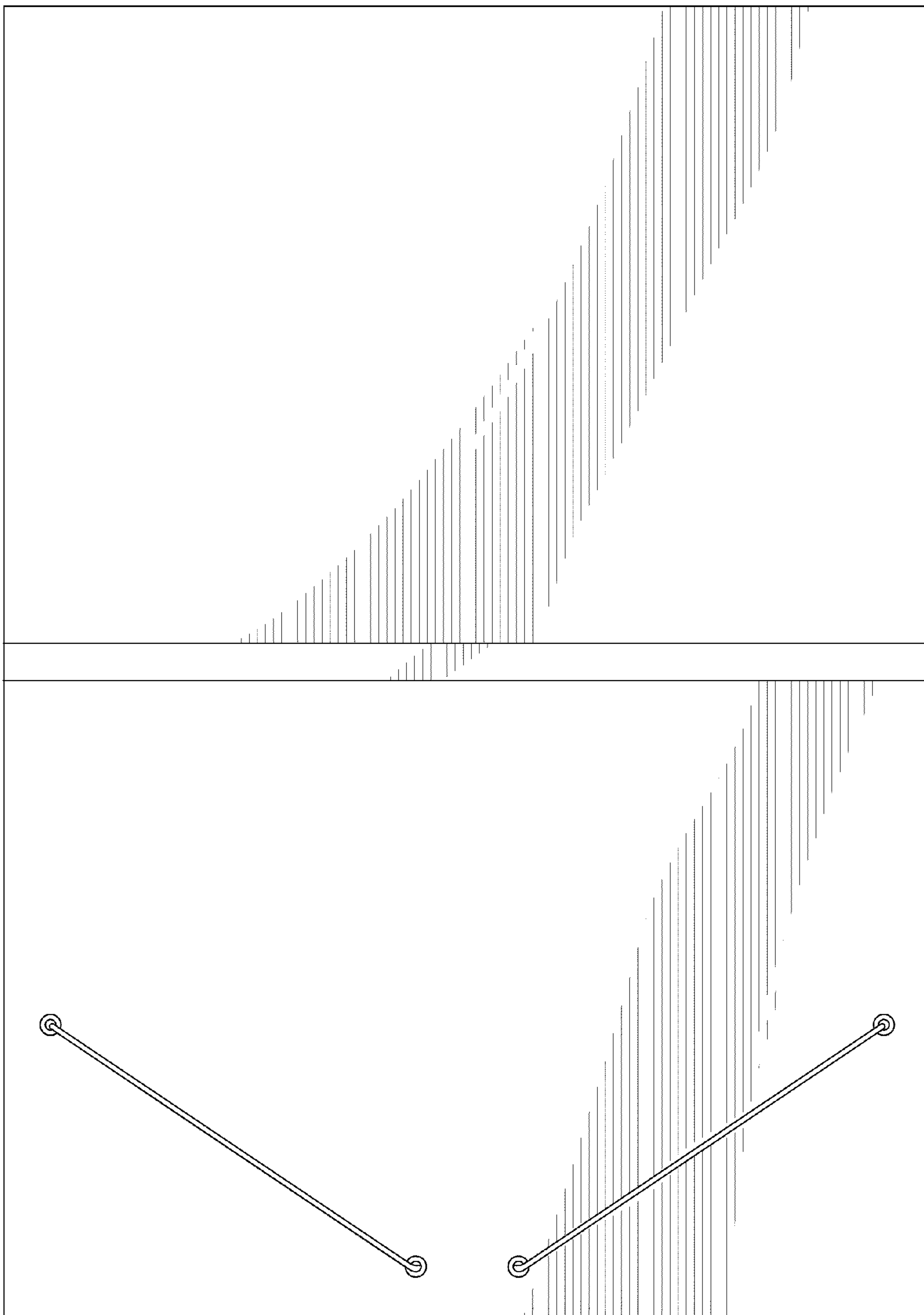


FIG. 32

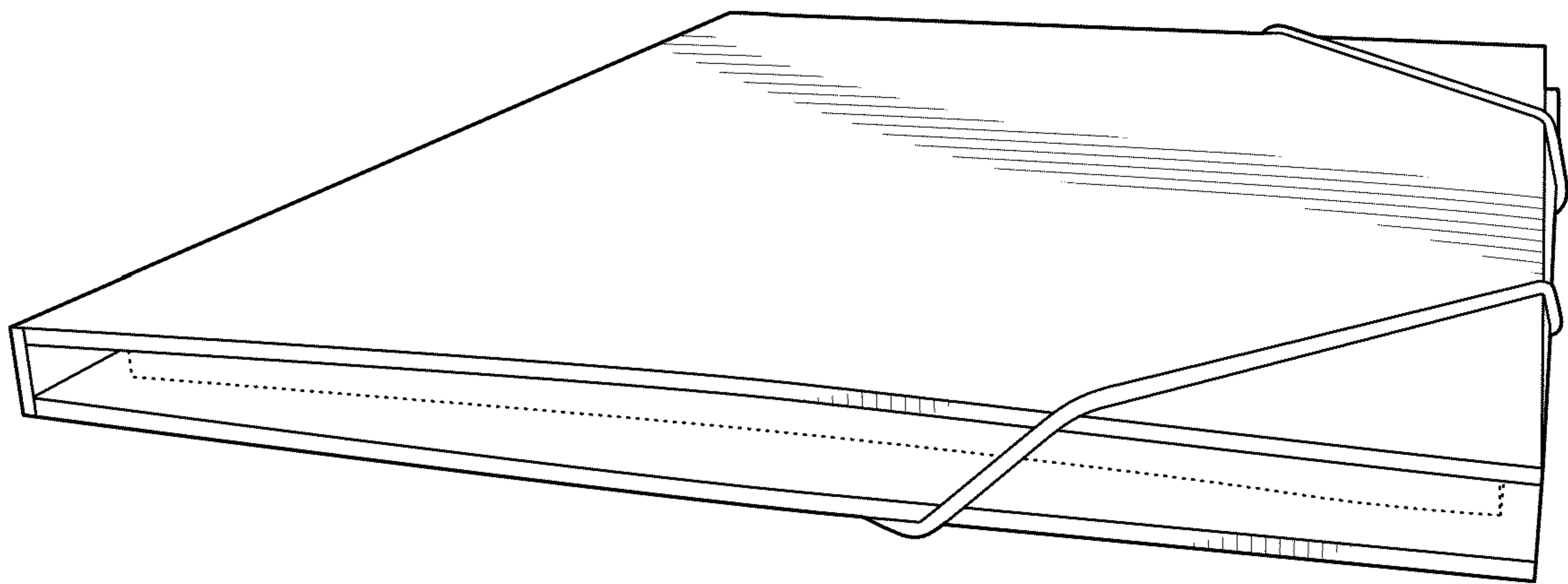


FIG. 33

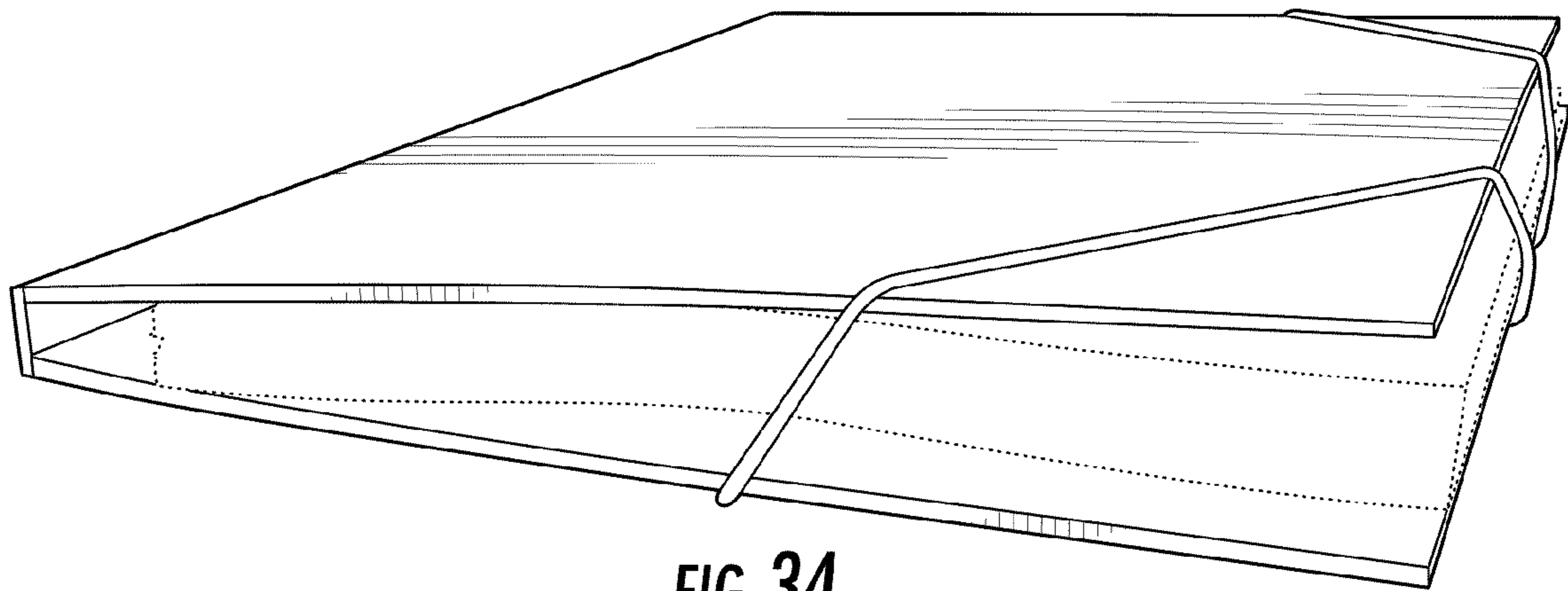


FIG. 34