



US00D649183S

(12) **United States Design Patent**  
**Miyauchi et al.**

(10) **Patent No.:** **US D649,183 S**

(45) **Date of Patent:** **\*\* Nov. 22, 2011**

(54) **PRINTER**

(75) Inventors: **Hiroto Miyauchi**, Matsumoto (JP);  
**Yusuke Yamashita**, Matsumoto (JP);  
**Yoshiaki Takama**, Matsumoto (JP);  
**Katsumi Togo**, Shiojiri (JP); **Satoshi**  
**Iwaya**, Ina (JP)

(73) Assignee: **Seiko Epson Corporation**, Tokyo (JP)

(\*\*) Term: **14 Years**

(21) Appl. No.: **29/375,472**

(22) Filed: **Sep. 22, 2010**

(30) **Foreign Application Priority Data**

Jun. 30, 2010 (JP) ..... 2010-015999

(51) **LOC (9) Cl.** ..... **14-02**

(52) **U.S. Cl.** ..... **D18/50**

(58) **Field of Classification Search** ..... D18/19,  
D18/36-37, 50, 54-54.1, 55; D14/420-425,  
D14/463-470; 400/613, 613.1-613.4, 690,  
400/690.1-690.4, 691-694

See application file for complete search history.

(56) **References Cited**

U.S. PATENT DOCUMENTS

D609,270 S 2/2010 Kato  
D613,791 S 4/2010 Yoshioka  
D614,693 S 4/2010 Kato

*Primary Examiner* — Cathy A MacCormac

(57) **CLAIM**

The ornamental design for a printer, as shown and described.

**DESCRIPTION**

FIG. 1 is a top, front and right side perspective view of a printer showing our new design; FIG. 2 is a front view thereof; FIG. 3 is a rear view thereof; FIG. 4 is a top plan view thereof; FIG. 5 is a bottom plan view thereof; FIG. 6 is a left side elevational view thereof; and, FIG. 7 is a right side elevational view thereof. The broken lines are shown for illustrative purposes only and form no part of the claimed design.

**1 Claim, 5 Drawing Sheets**

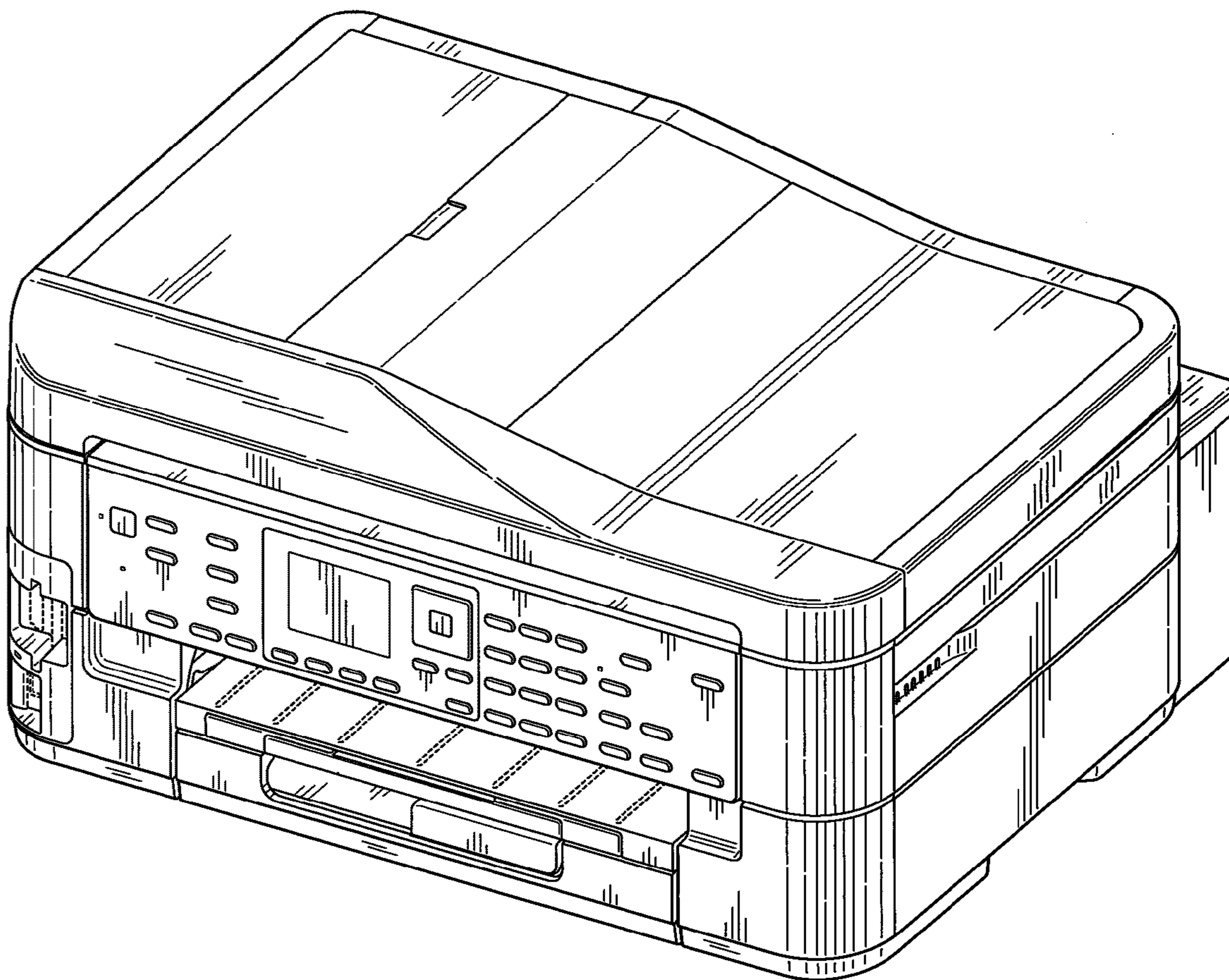


Fig. 1

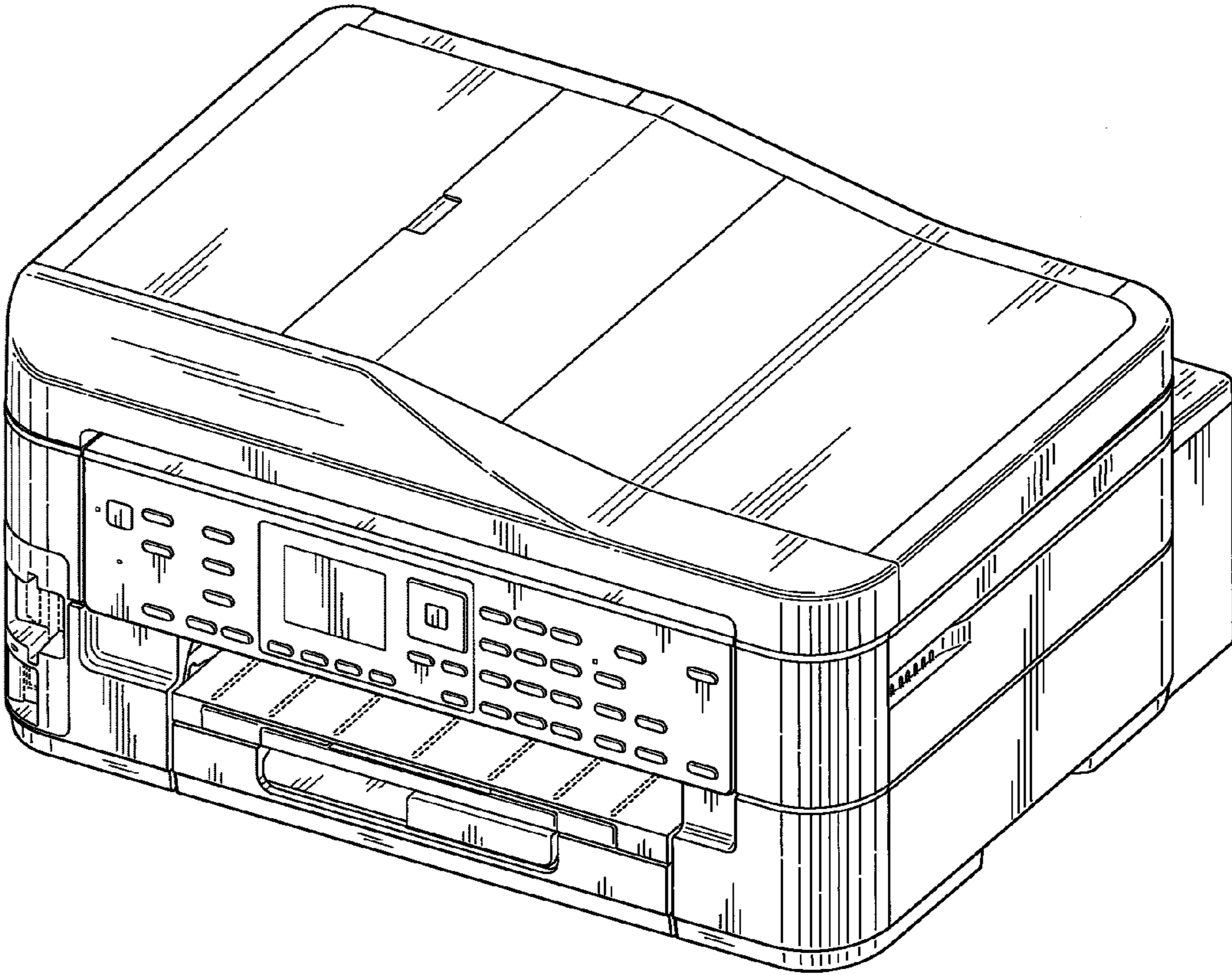


Fig. 2

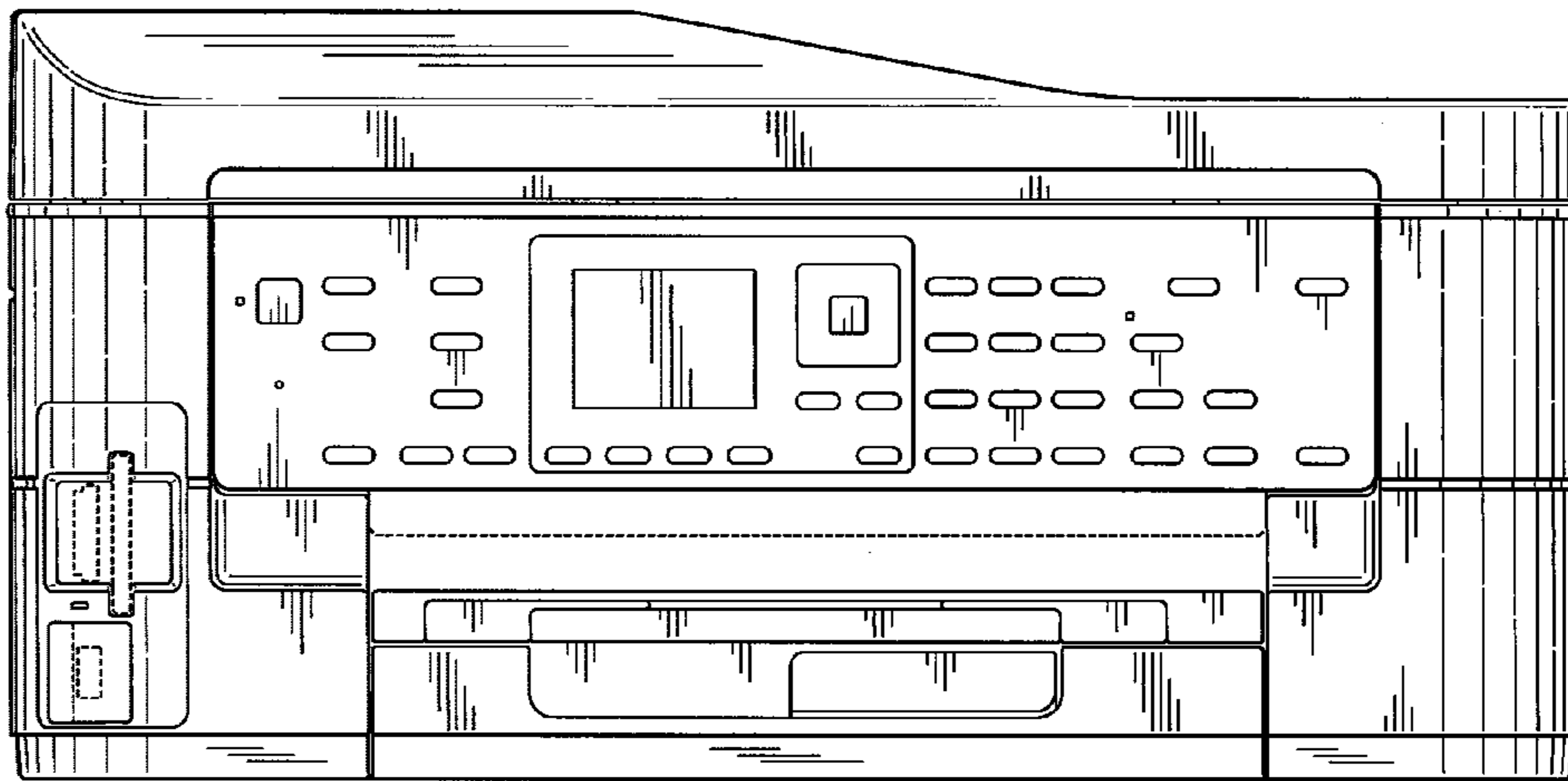


Fig. 3

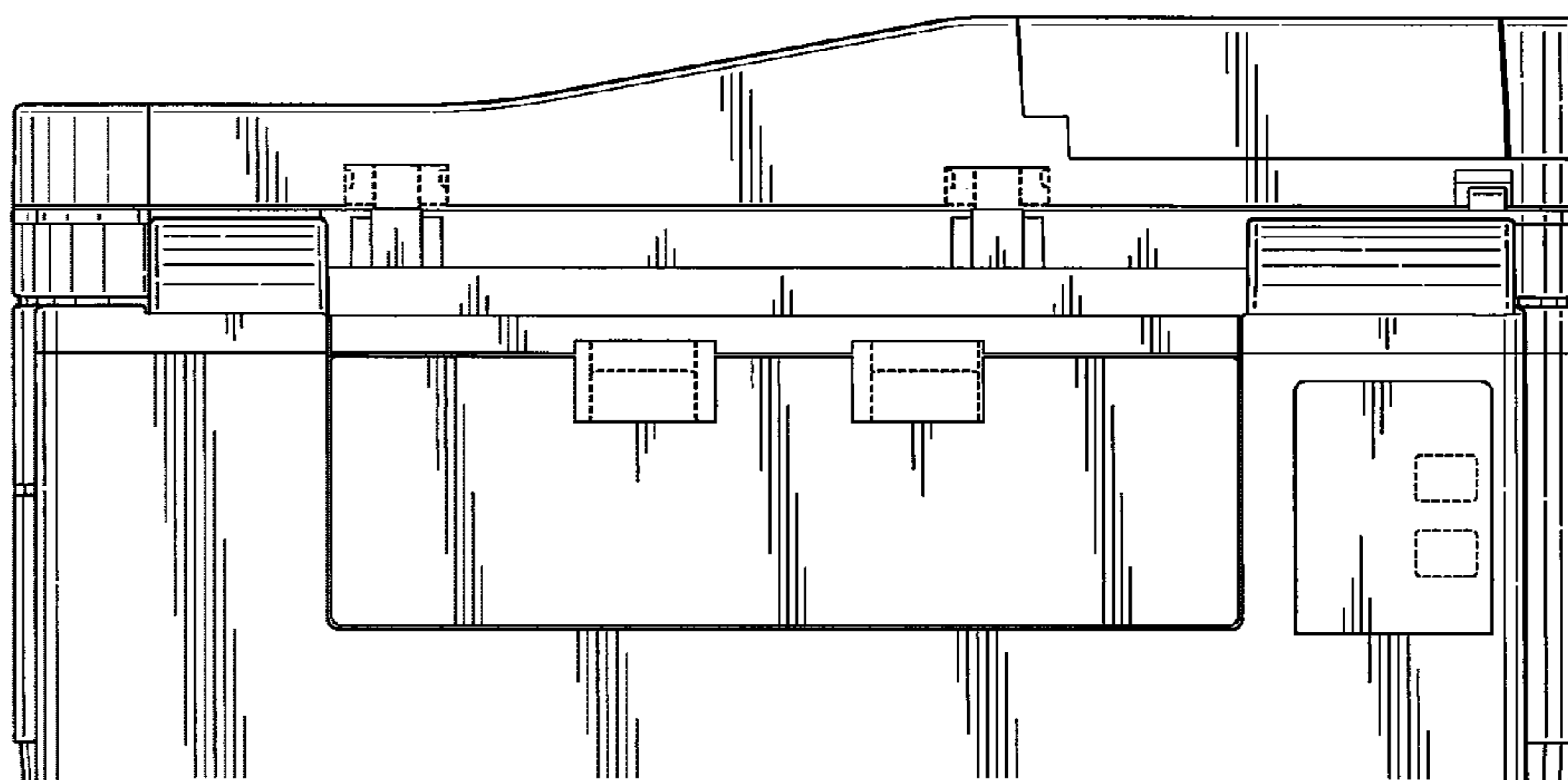


Fig. 4

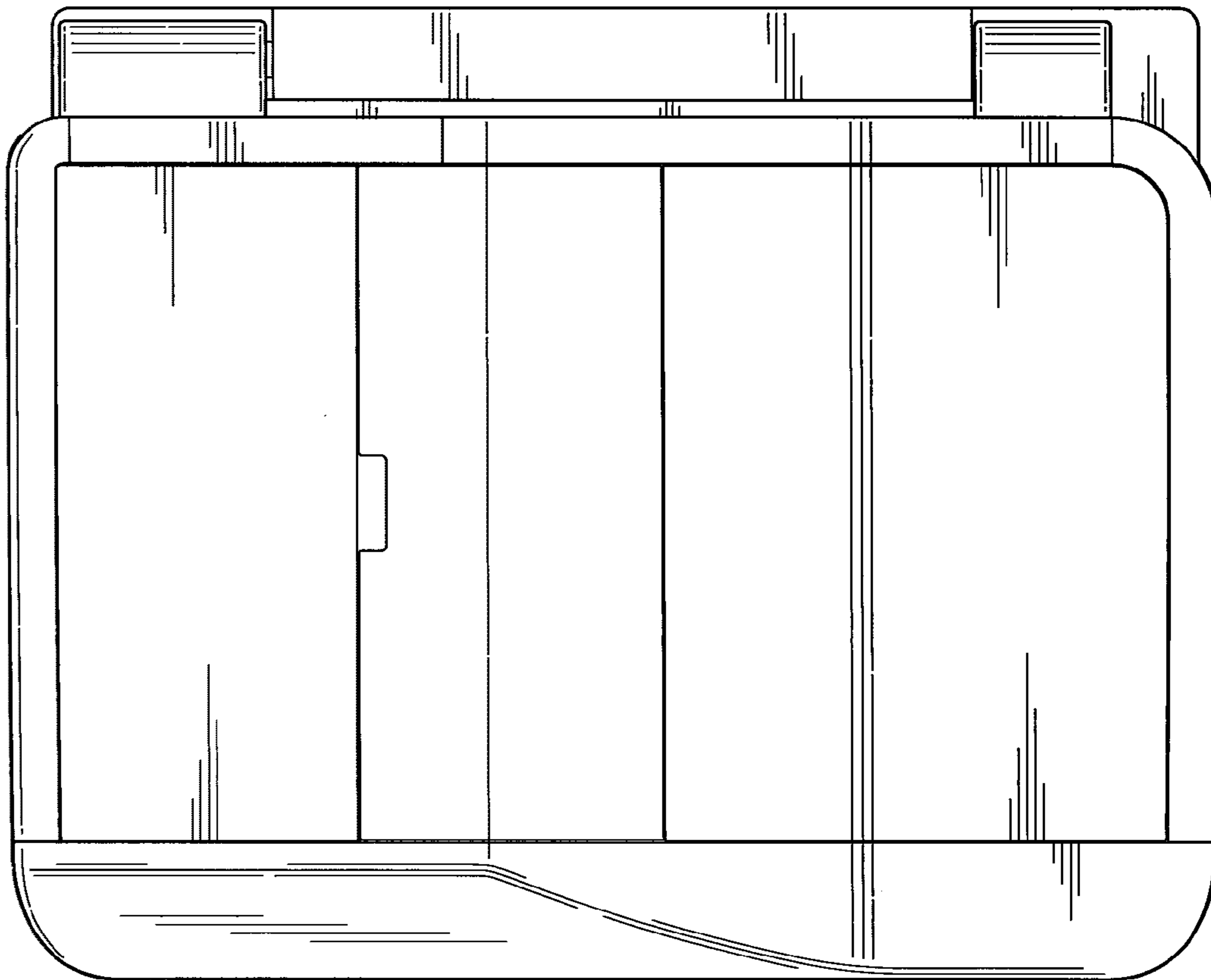


Fig. 5

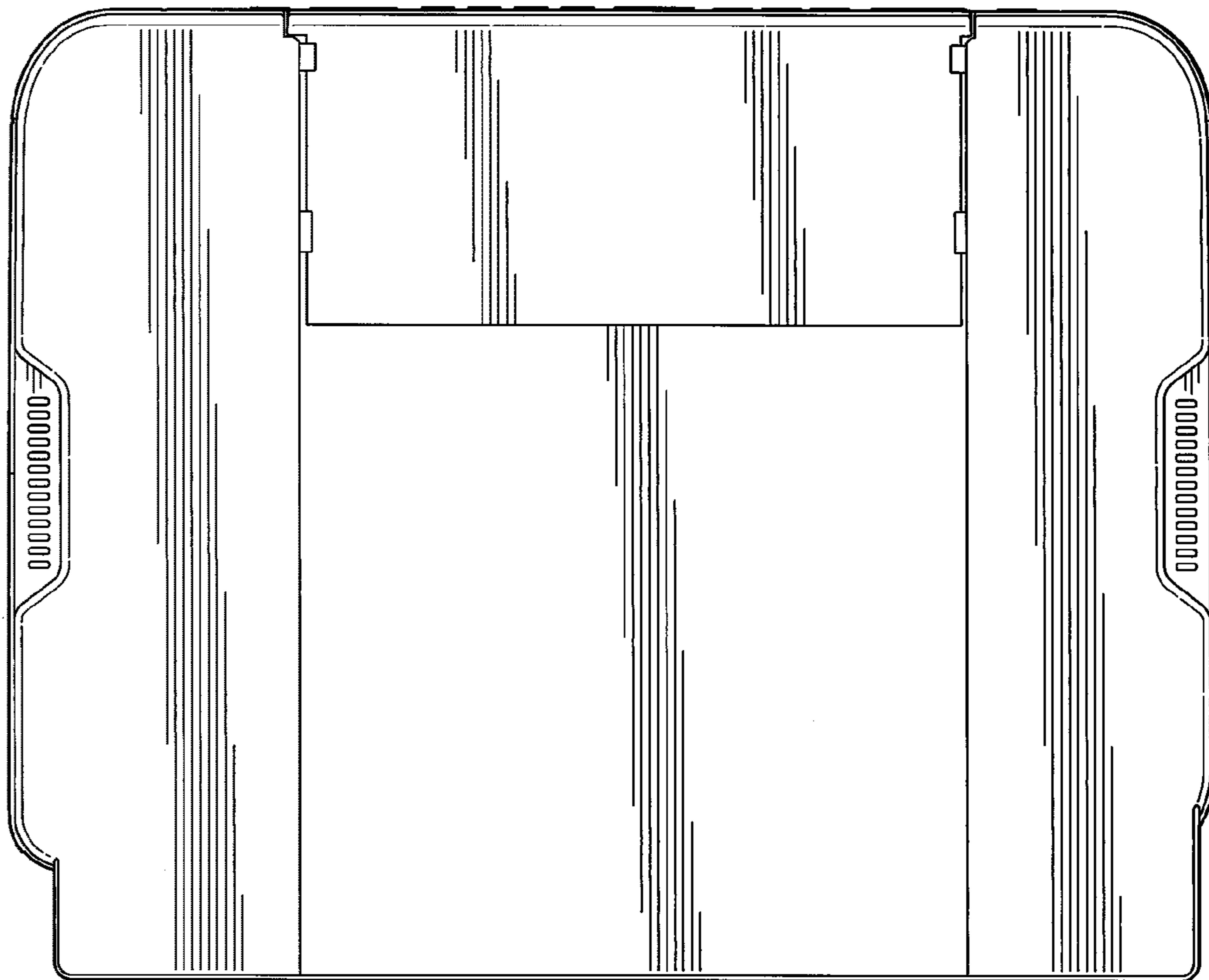


Fig. 6

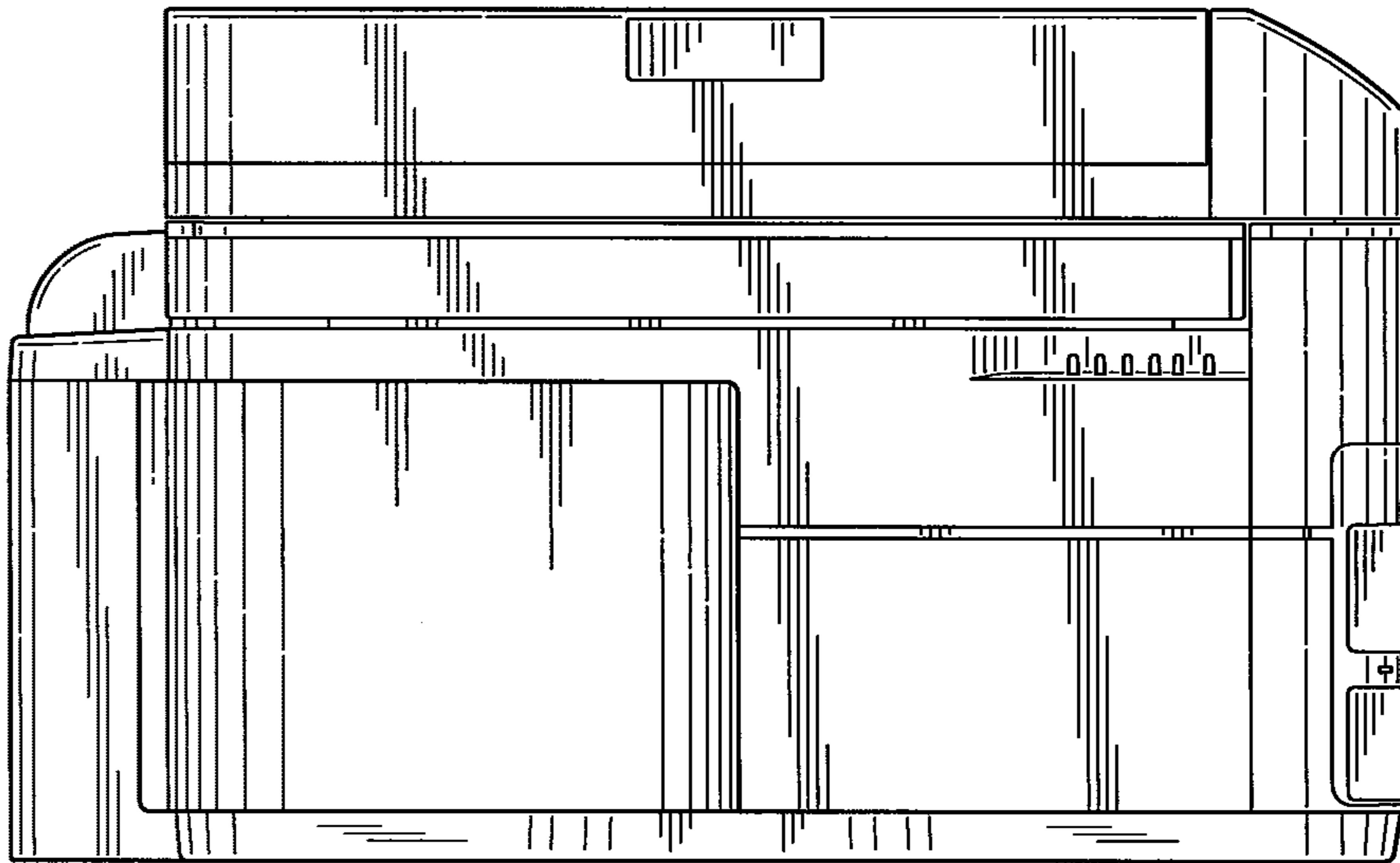


Fig. 7

