



US00D649182S

(12) **United States Design Patent**  
**Chambers**

(10) **Patent No.:** **US D649,182 S**

(45) **Date of Patent:** **\*\* Nov. 22, 2011**

(54) **PERCUSSION INSTRUMENT**

(76) Inventor: **Vincent Paul Chambers**, Hull (GB)

(\*\*) Term: **14 Years**

(21) Appl. No.: **29/326,127**

(22) Filed: **Oct. 13, 2008**

(51) **LOC (9) Cl.** ..... **17-04**

(52) **U.S. Cl.** ..... **D17/22**

(58) **Field of Classification Search** ..... D17/22,  
D17/99; 84/411 M, 411 P, 465  
See application file for complete search history.

(56) **References Cited**

**U.S. PATENT DOCUMENTS**

2,338,816	A	1/1944	Lockhart	
D225,669	S *	12/1972	Toiseux	D7/366
5,467,680	A *	11/1995	Kurosaki	84/421
D462,711	S *	9/2002	Arsala	D17/22
D492,716	S *	7/2004	Micheel	D17/22
D507,590	S *	7/2005	Inoue	D17/22
D526,001	S *	8/2006	Scharte	D17/22
D612,348	S *	3/2010	Marquis-Martin	D13/199
2004/0025664	A1	2/2004	Bennett	
2005/0120862	A1	6/2005	Frazier	

**FOREIGN PATENT DOCUMENTS**

EP 0651370 A1 5/1995  
WO WO/2007/113156 \* 10/2007

**OTHER PUBLICATIONS**

International Search Report, Application No. PCT/EP2007/052858;  
Date of search May 9, 2007.

\* cited by examiner

*Primary Examiner* — Ian Simmons

*Assistant Examiner* — Rashida Johnson

(74) *Attorney, Agent, or Firm* — Brooks Kushman P.C.

(57) **CLAIM**

The ornamental design for a percussion instrument, as shown and described.

**DESCRIPTION**

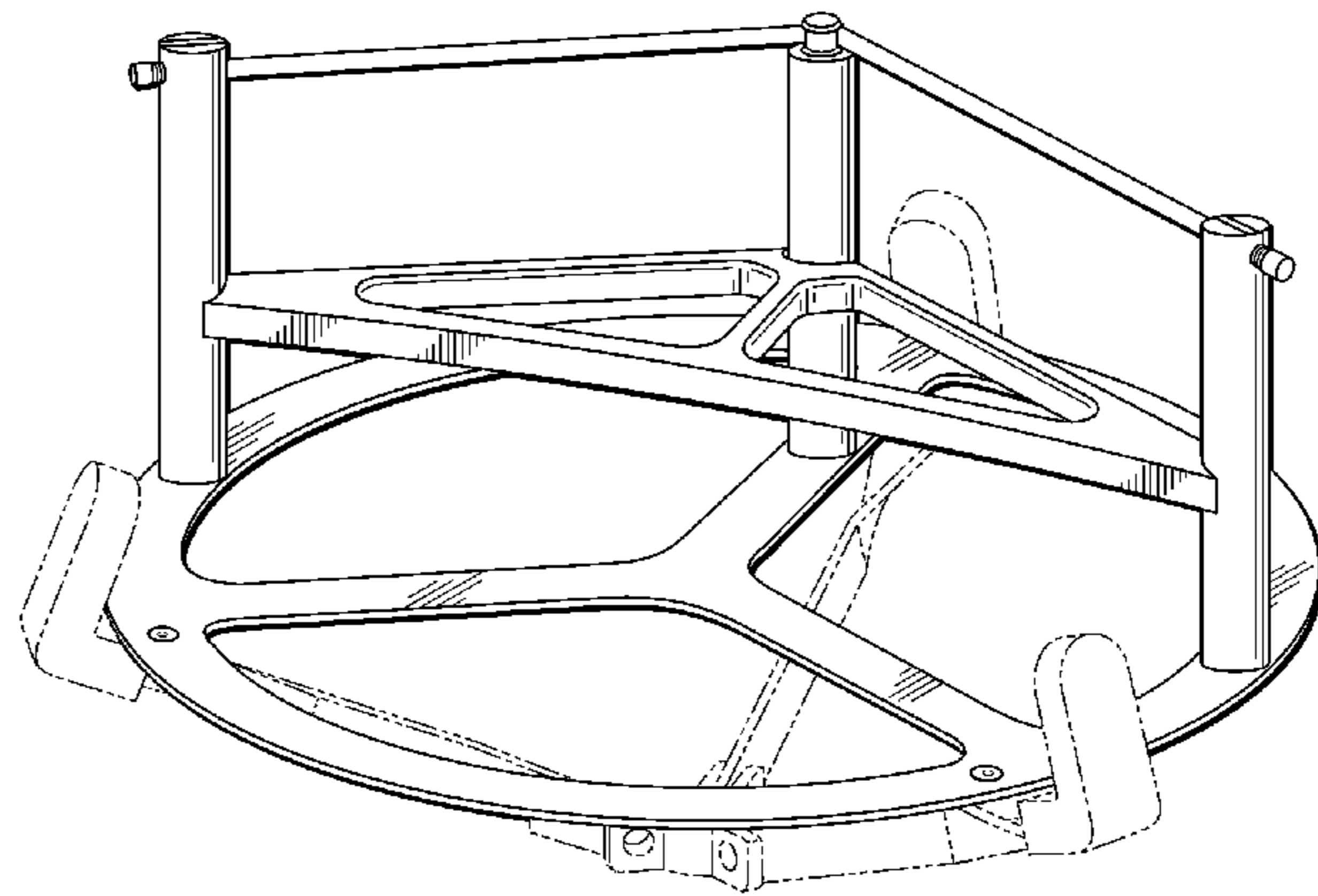
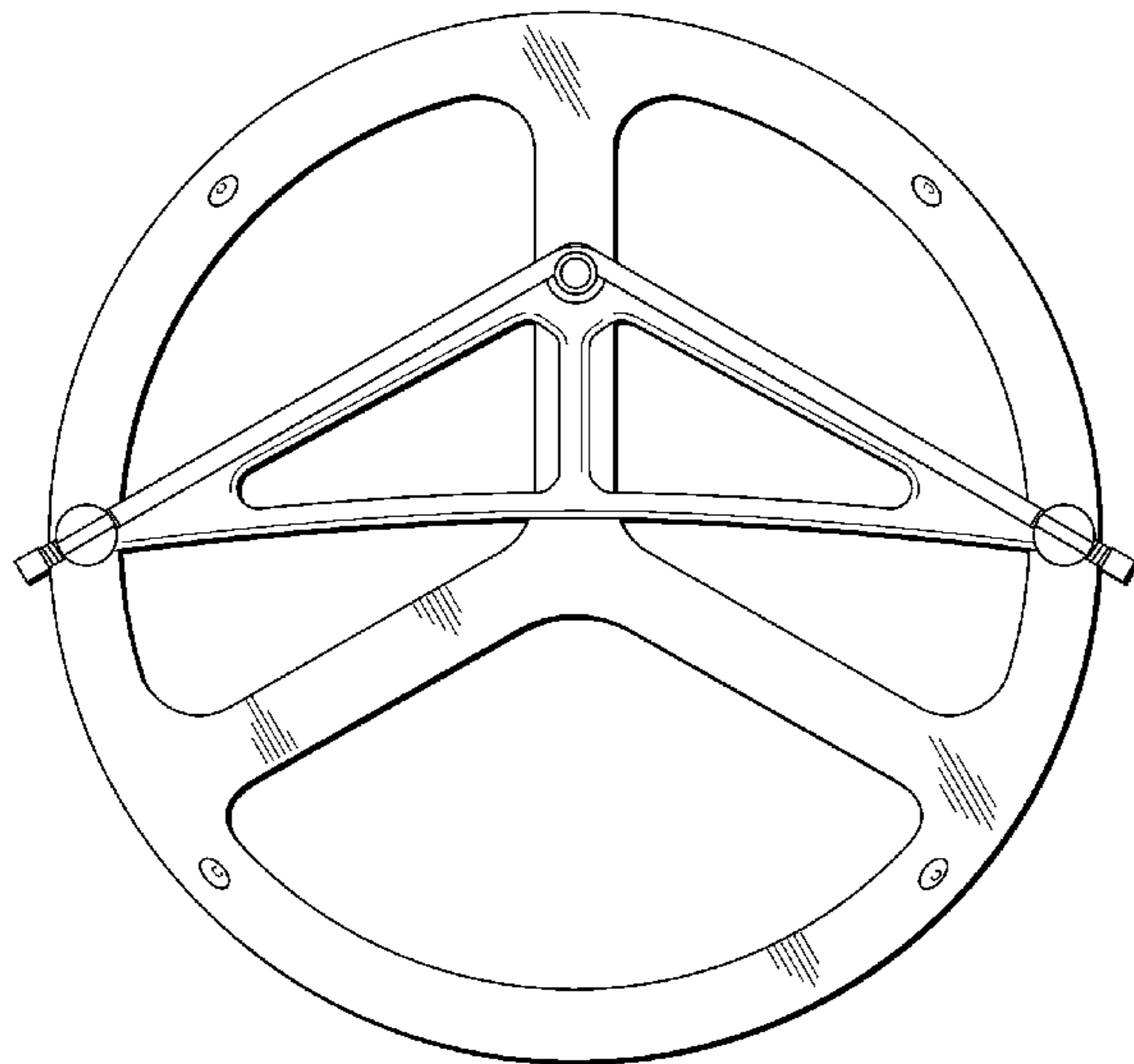
FIG. 1 is a top plan view of a percussion instrument showing my new design;

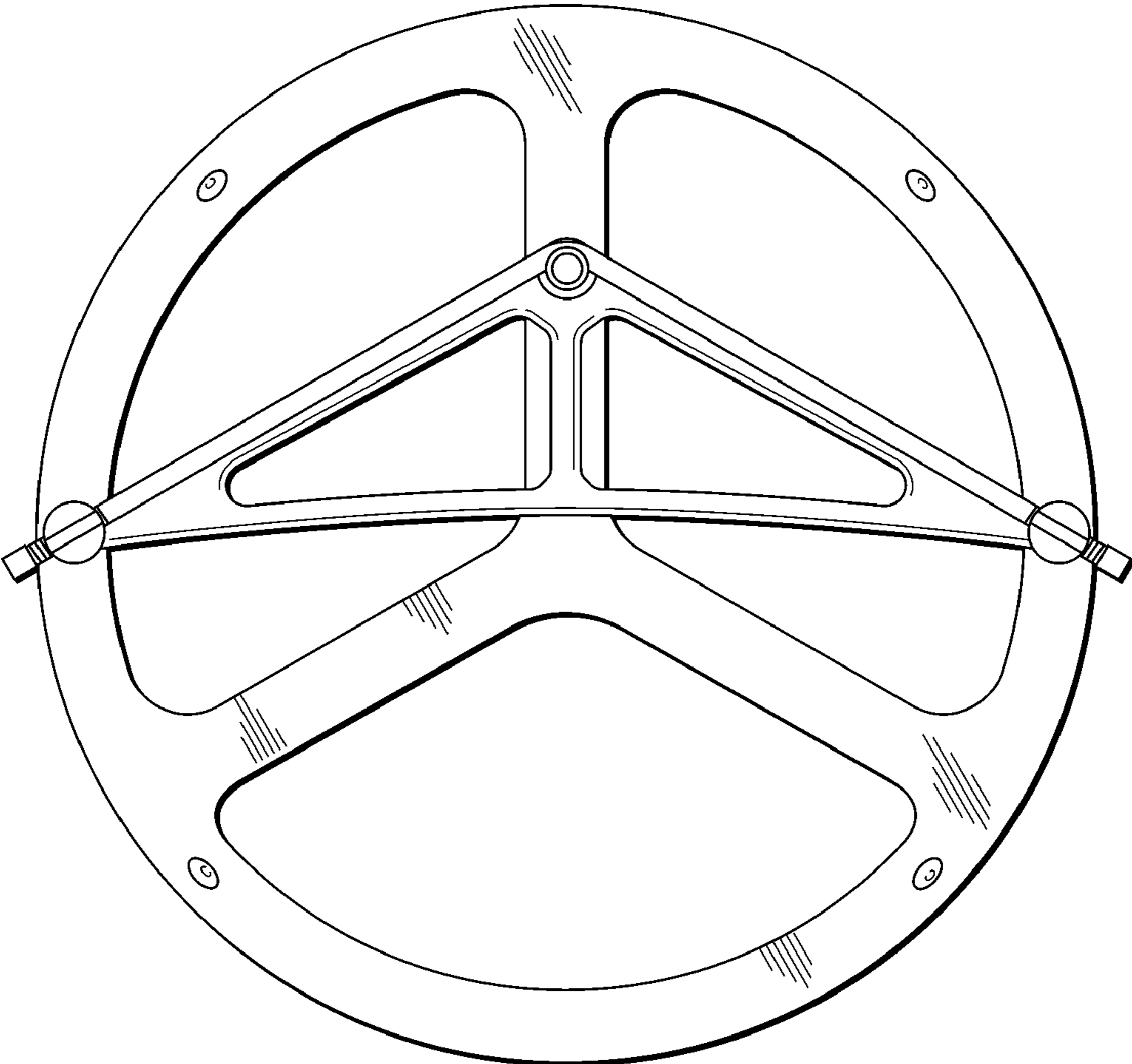
FIG. 2 is a top perspective view thereof; and,

FIG. 3 is a front perspective view thereof.

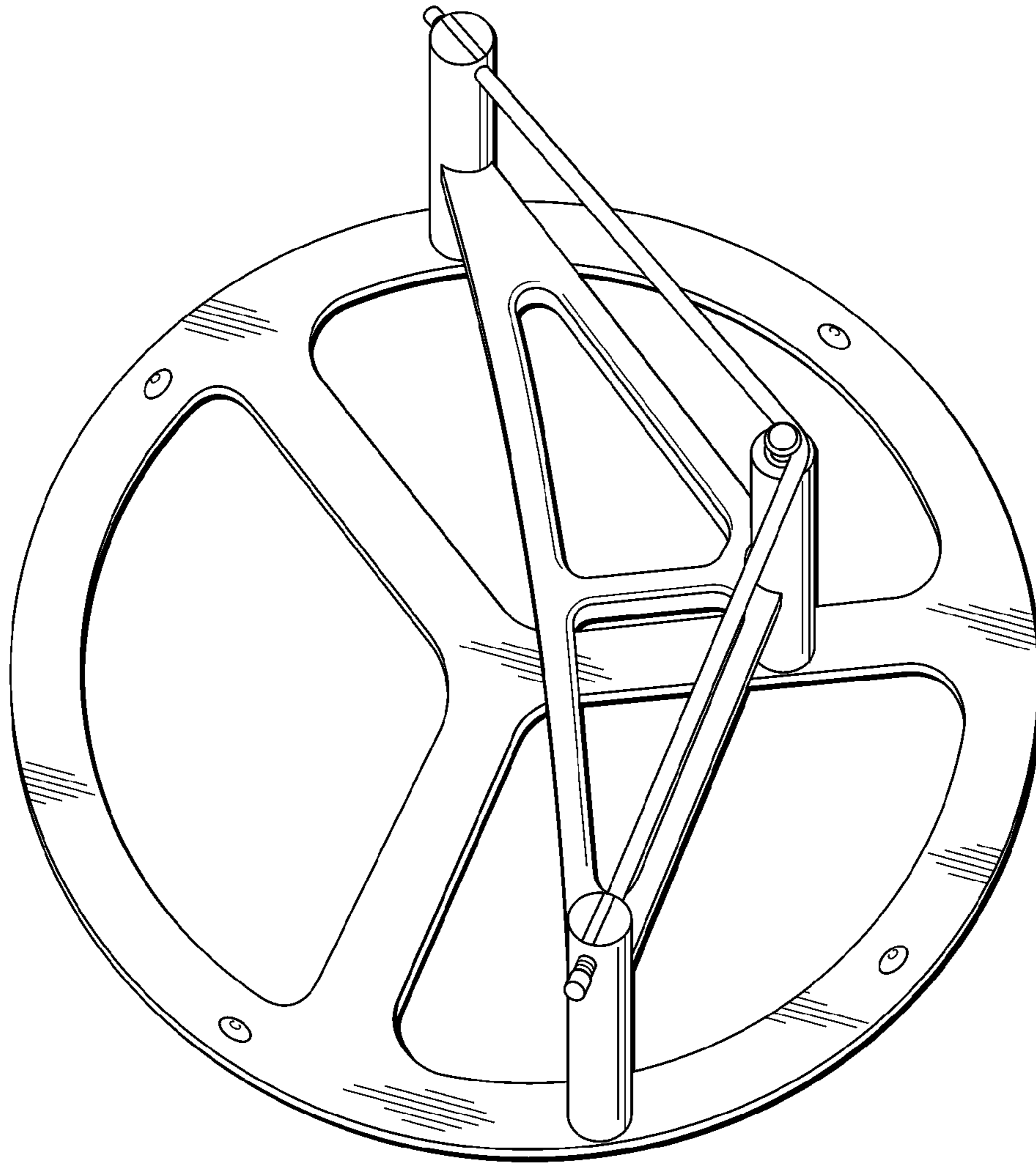
The broken lines, in FIG. 3 showing a removable base, represent the portions of the design, which form no part of the claim.

**1 Claim, 3 Drawing Sheets**

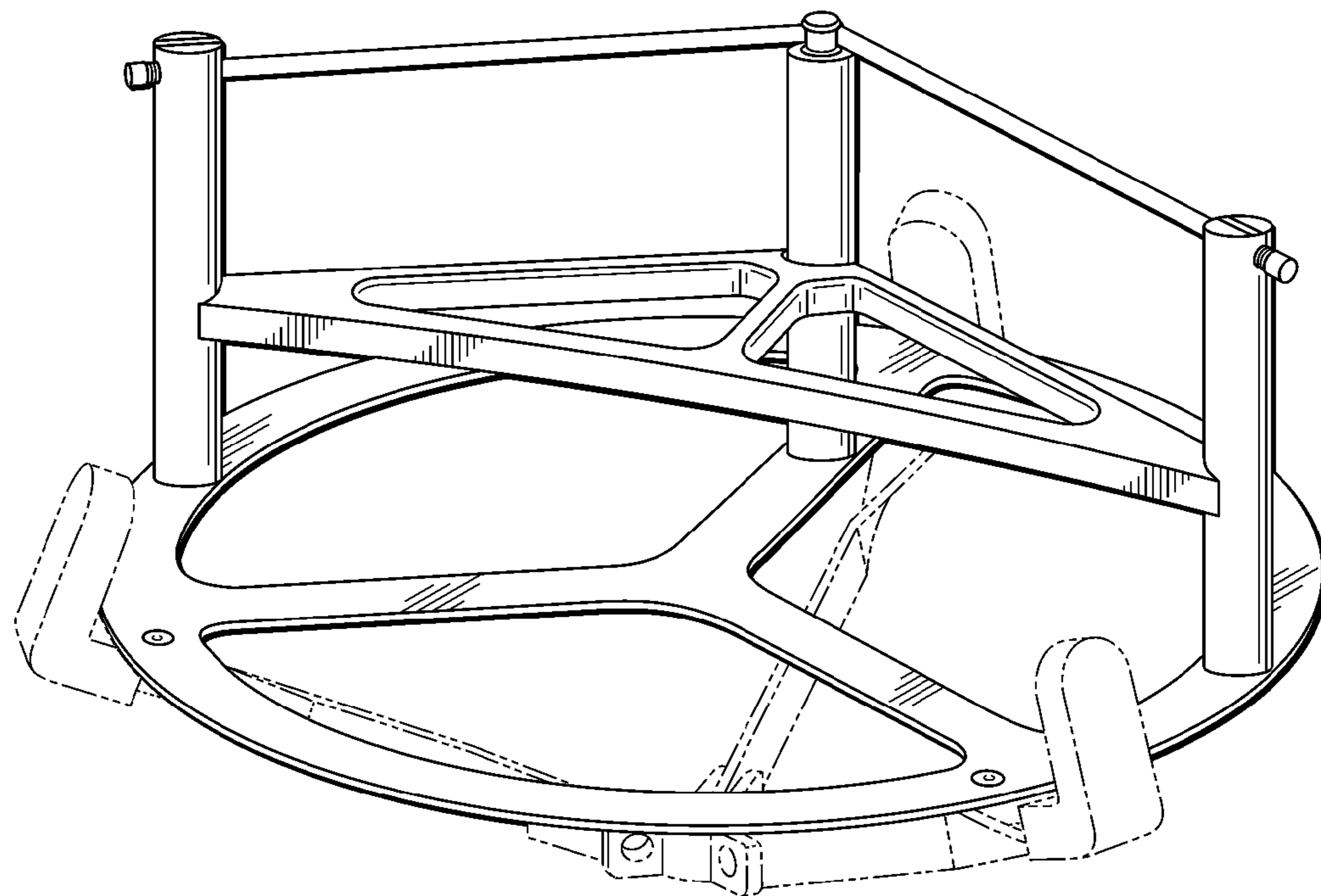




*Fig. 1*



*Fig. 2*



*Fig. 3*