



US00D649175S

(12) **United States Design Patent**
Willis

(10) **Patent No.:** **US D649,175 S**

(45) **Date of Patent:** **** *Nov. 22, 2011**

(54) **PAN TILT SURVEILLANCE CAMERA MOUNT**

D572,288 S * 7/2008 Neoh et al. D16/208
D576,652 S * 9/2008 Willis D16/208
D576,653 S * 9/2008 Malthouse D16/208

(75) Inventor: **Martin William Willis**, Highcliffe (GB)

* cited by examiner

(73) Assignee: **Bosch Security Systems BV**, Eindhoven (NL)

Primary Examiner — Adir Aronovich

(74) *Attorney, Agent, or Firm* — Shlesinger, Arkwright & Garvey LLP

(**) Term: **14 Years**

(21) Appl. No.: **29/327,764**

(57) **CLAIM**

The ornamental design for a pan tilt surveillance camera mount, as shown and described.

(22) Filed: **Nov. 12, 2008**

DESCRIPTION

(30) **Foreign Application Priority Data**

May 12, 2008 (CA) 126166

(51) **LOC (9) Cl.** **16-05**

(52) **U.S. Cl.** **D16/242**

(58) **Field of Classification Search** D16/200–204,
D16/208, 214, 218, 242; 248/176.1, 87.1;
348/373–376; 352/243; 396/419, 427, 428
See application file for complete search history.

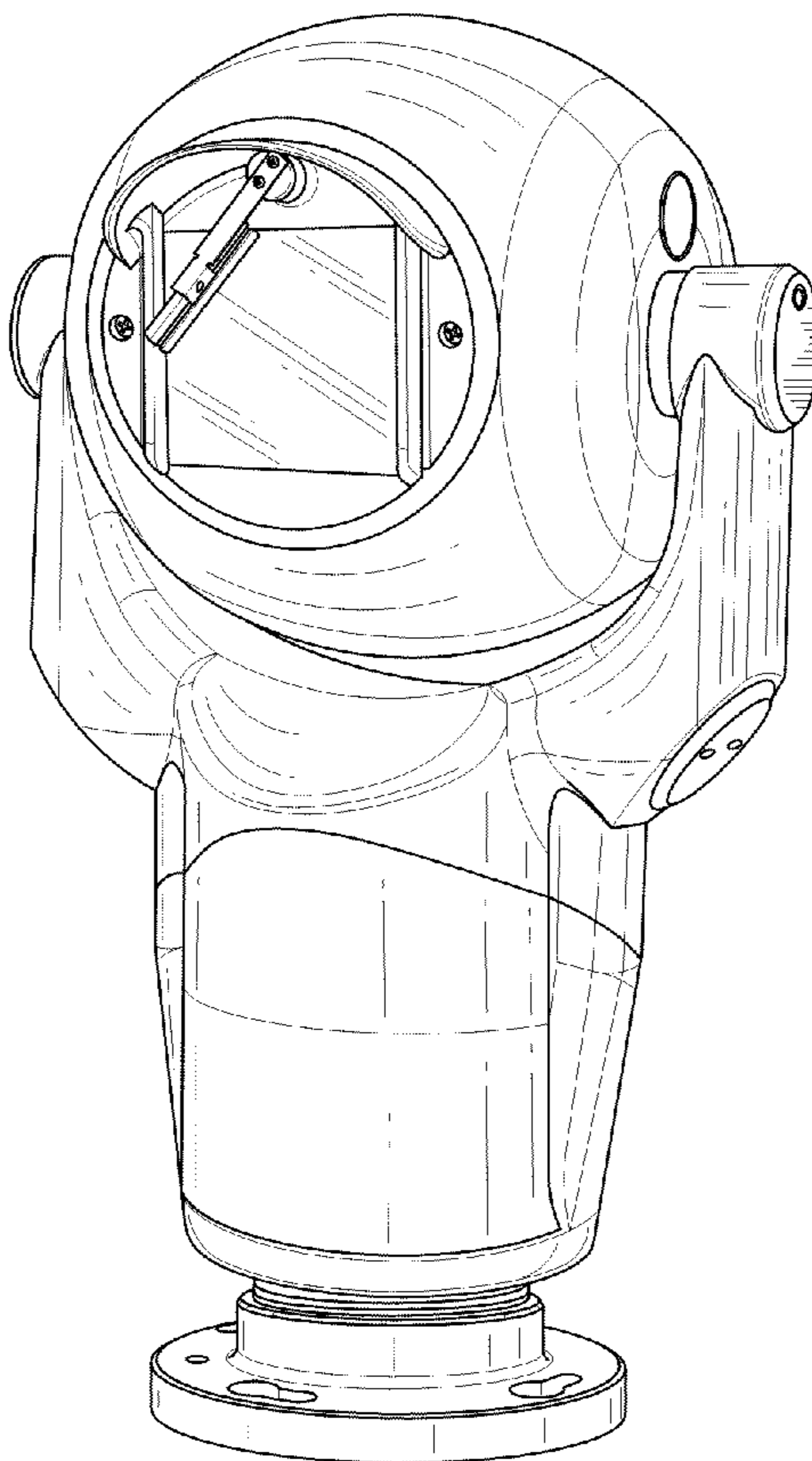
FIG. 1 is front perspective view of a pan tilt surveillance camera mount in an upright position showing my new design; FIG. 2 is a front elevational view of the pan tilt surveillance camera mount in an upright position; FIG. 3 is a right side elevational view of the pan tilt surveillance camera mount in an upright position; FIG. 4 is a front elevational view of the pan tilt surveillance camera mount in a canted position; FIG. 5 is a right side elevational view of the pan tilt surveillance camera mount in a canted position; FIG. 6 is a top plan view of the pan tilt surveillance camera mount in a canted position; and, FIG. 7 is a bottom plan view of the pan tilt surveillance camera mount in a canted position.

(56) **References Cited**

U.S. PATENT DOCUMENTS

D383,475 S * 9/1997 Yamauchi et al. D16/202
D552,144 S * 10/2007 Logan et al. D16/202
D554,170 S * 10/2007 Grotto D16/242
D555,691 S * 11/2007 Kato et al. D16/203

1 Claim, 4 Drawing Sheets



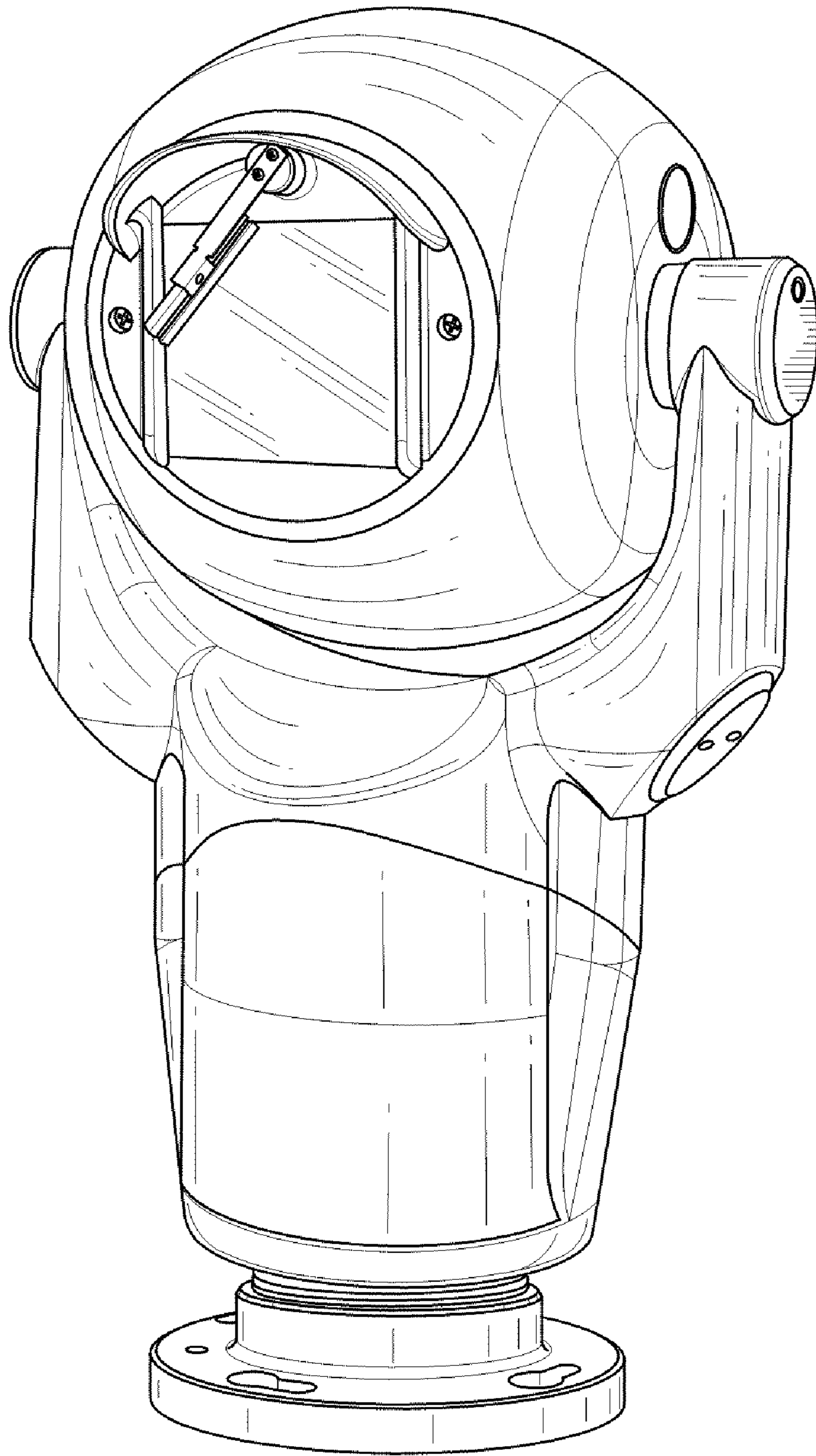


FIG. 1

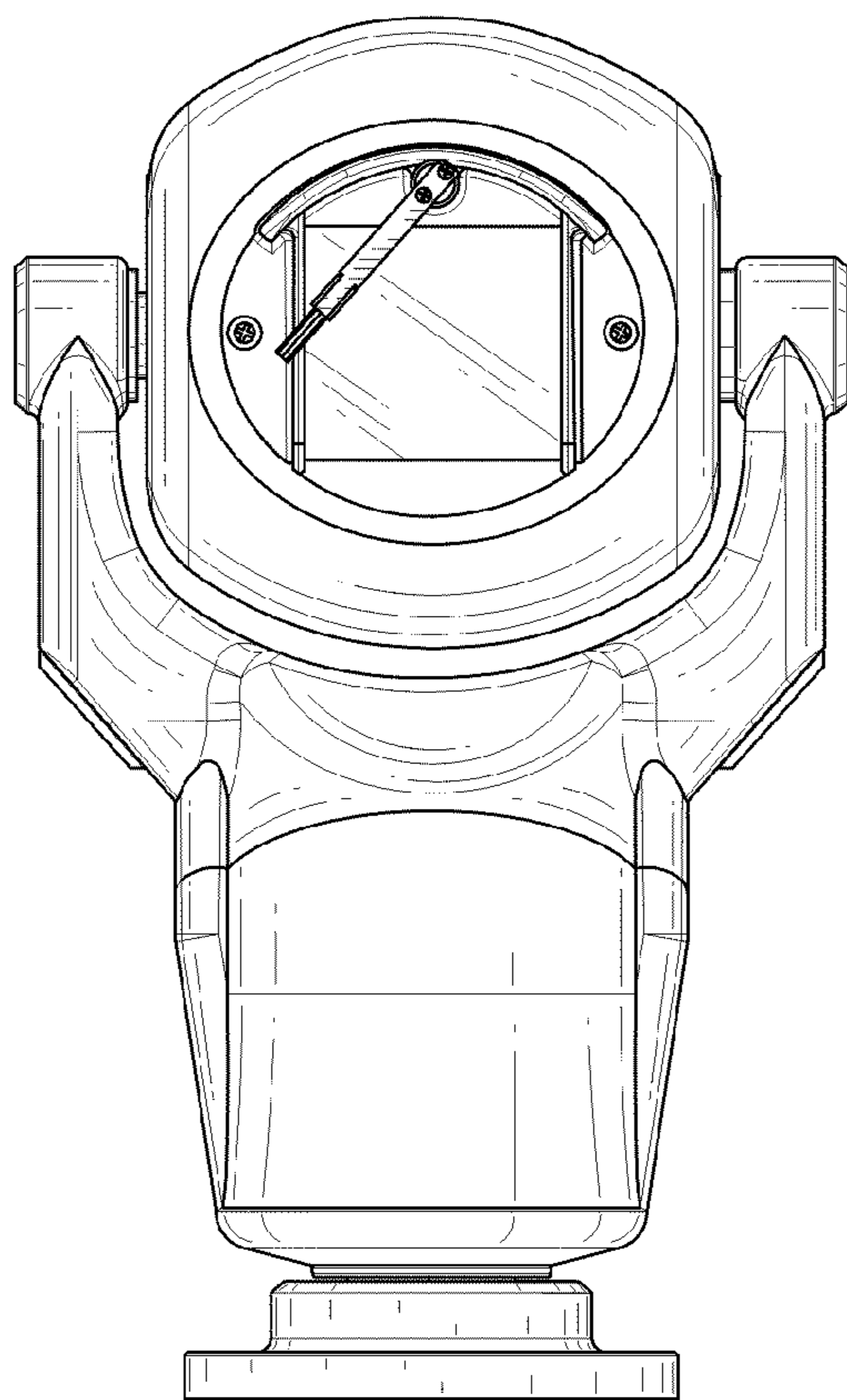


FIG. 2

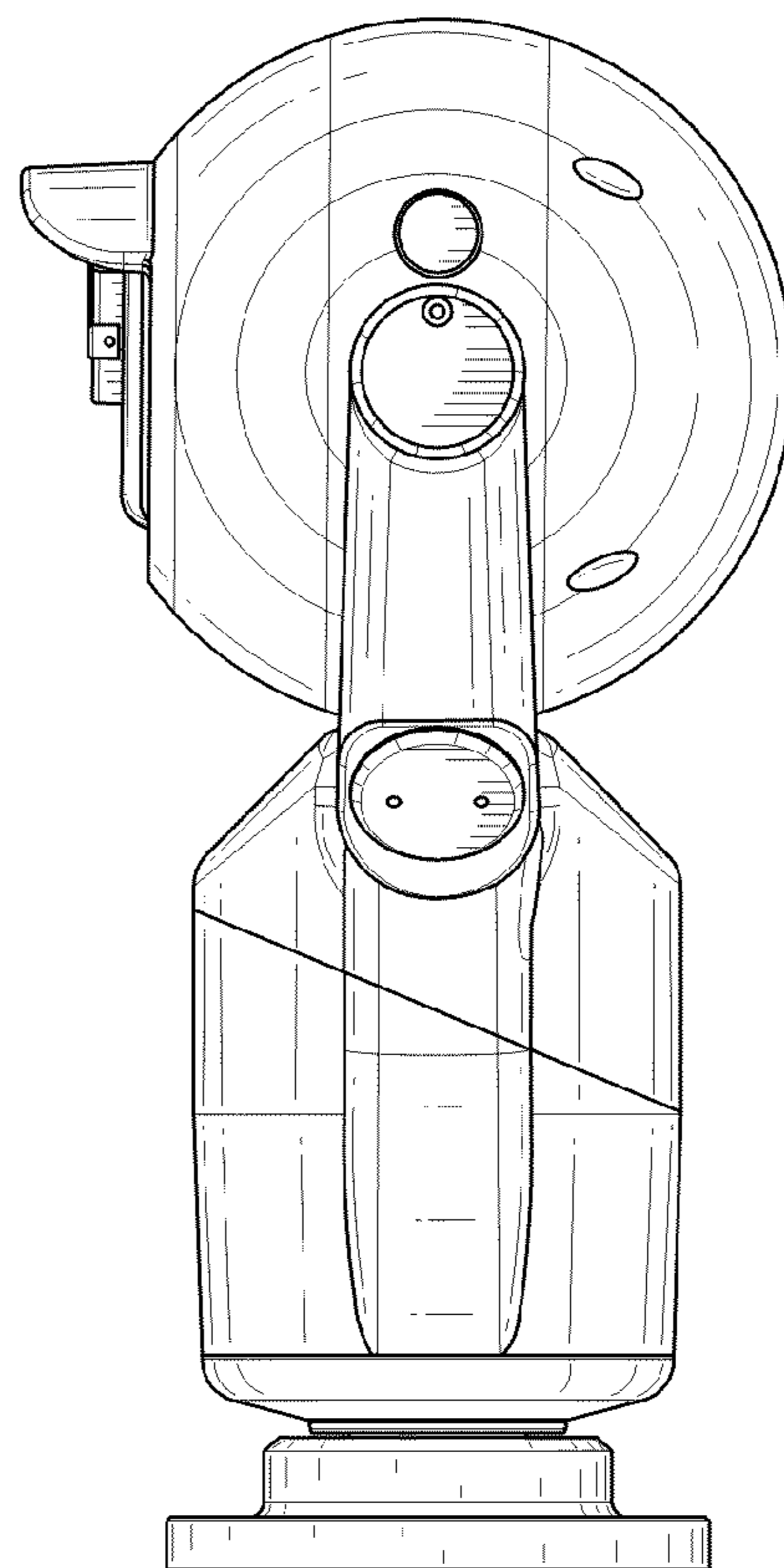


FIG. 3

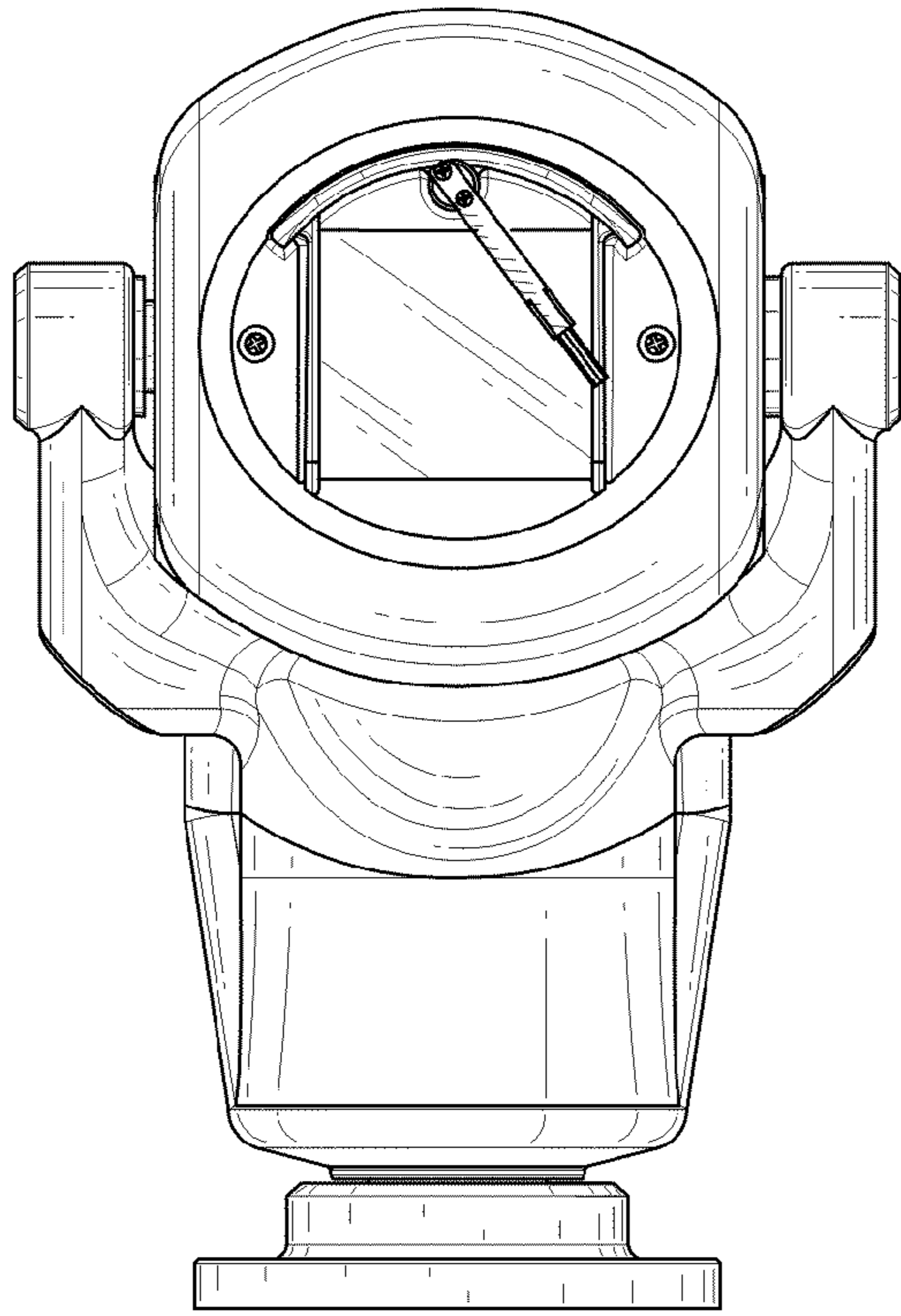


FIG. 4

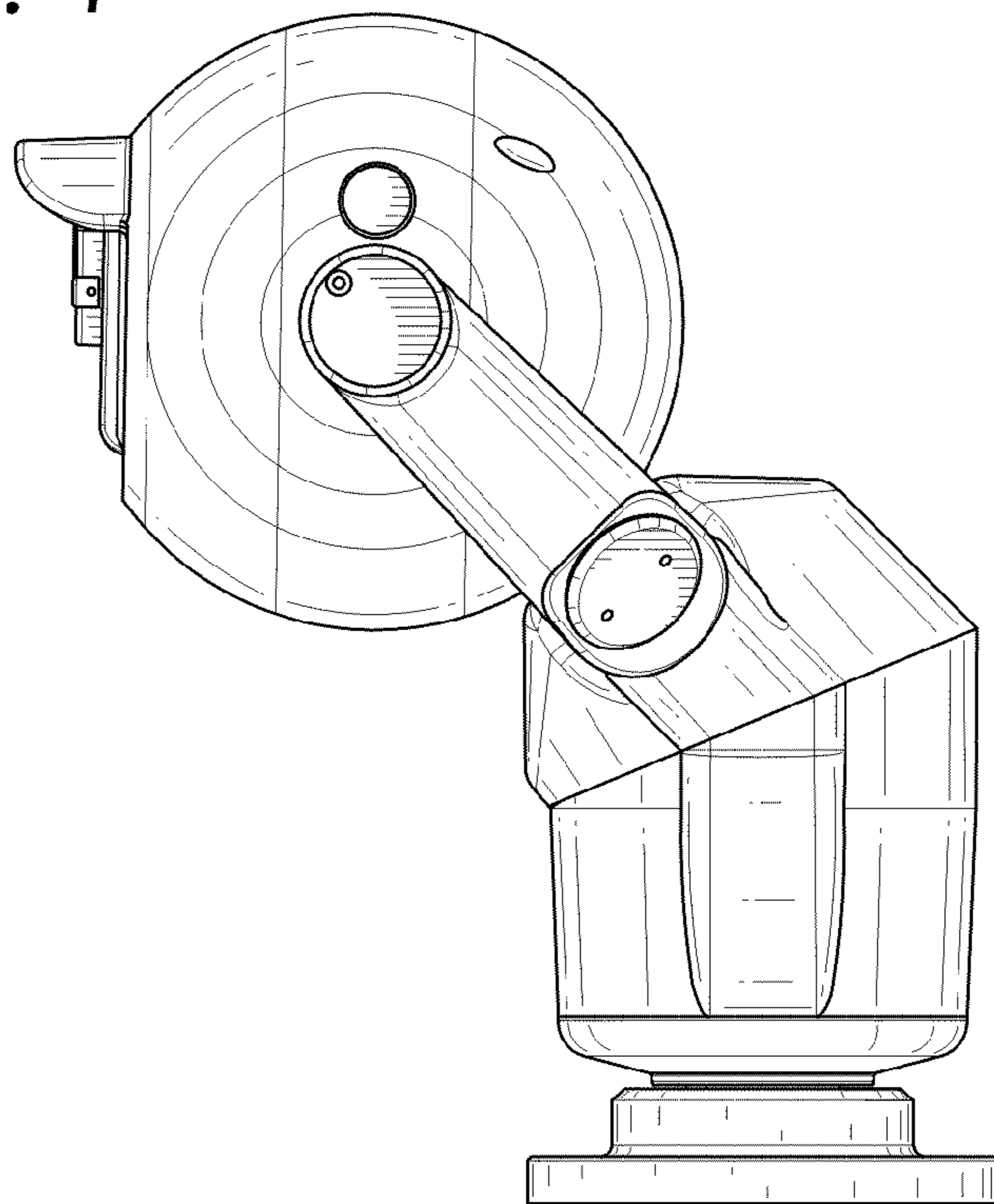


FIG. 5

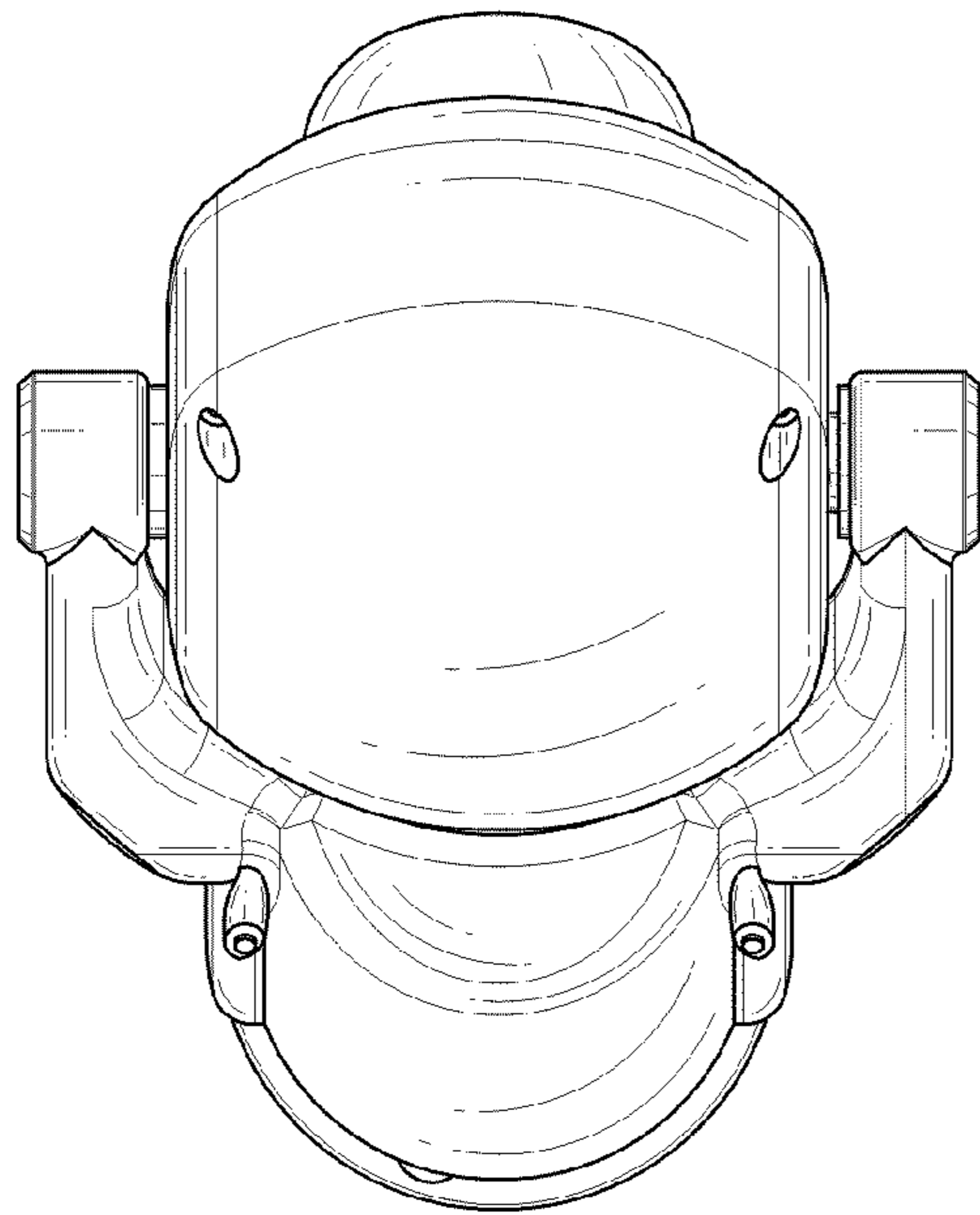


FIG. 6

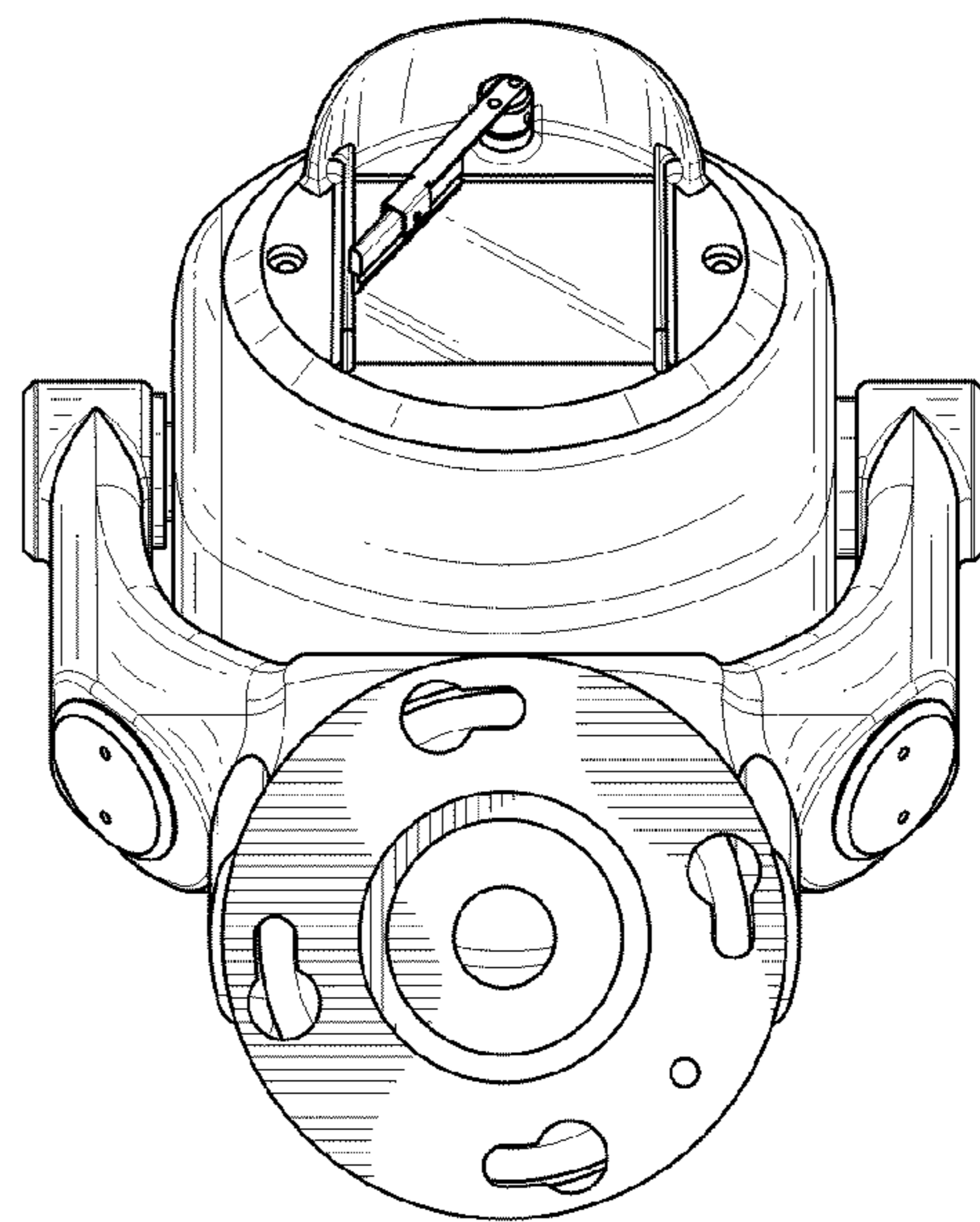


FIG. 7