



US00D649171S

(12) **United States Design Patent**  
**Barba**

(10) **Patent No.:** **US D649,171 S**

(45) **Date of Patent:** **\*\* Nov. 22, 2011**

(54) **TRACTOR ARM**

(75) **Inventor:** **Luigi Barba, Surbo (IT)**

(73) **Assignee:** **Alcar S.r.L. (IT)**

(\*\*) **Term:** **14 Years**

(21) **Appl. No.:** **29/383,901**

(22) **Filed:** **Jan. 24, 2011**

(51) **LOC (9) Cl.** ..... **15-03**

(52) **U.S. Cl.** ..... **D15/32; D15/28**

(58) **Field of Classification Search** ..... D15/10,  
D15/22-26, 28, 29, 32; 414/686, 694, 722,  
414/718, 815, 723, 685; 37/341, 407

See application file for complete search history.

D628,604 S \* 12/2010 Major ..... D15/32  
D629,019 S \* 12/2010 Major ..... D15/32  
2004/0228717 A1 \* 11/2004 Perrin et al. .... 414/723  
2007/0217899 A1 \* 9/2007 Sakada ..... 414/722  
2007/0243052 A1 \* 10/2007 Fukudome et al. .... 414/723  
2008/0063502 A1 \* 3/2008 Nilsson ..... 414/685  
2008/0193269 A1 \* 8/2008 Sakada et al. .... 414/722

\* cited by examiner

*Primary Examiner* — Mark Goodwin

(74) *Attorney, Agent, or Firm* — Stetina Brunda Garred & Brucker

(57) **CLAIM**

The ornamental design for a tractor arm, as shown and described.

**DESCRIPTION**

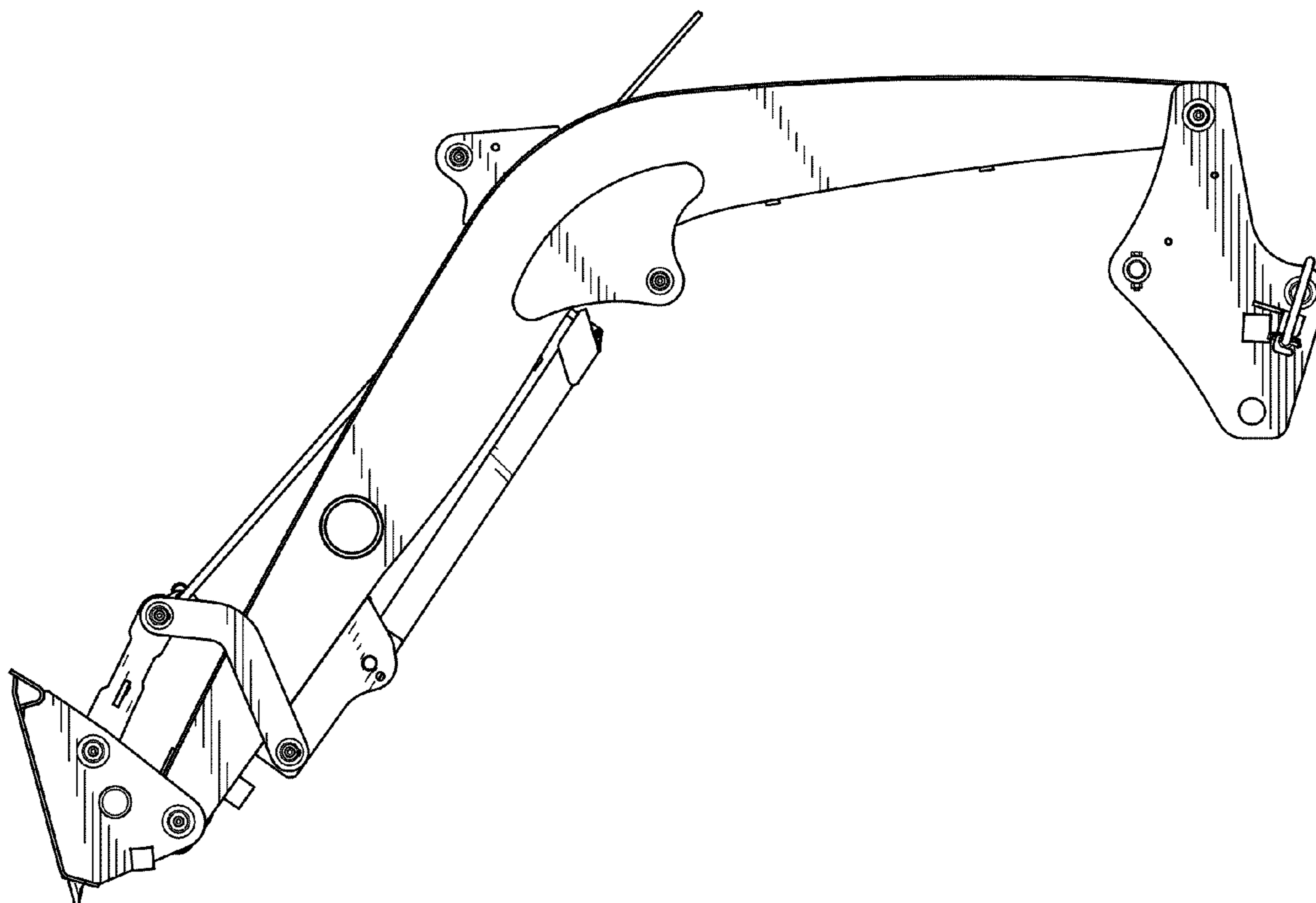
FIG. 1 is a right side view of a tractor arm showing my new design;  
FIG. 2 is a left side view thereof;  
FIG. 3 is a rear view thereof;  
FIG. 4 is a front view thereof;  
FIG. 5 is a right cross sectional view of FIG. 4 thereof;  
FIG. 6 is a left cross sectional view of FIG. 4 thereof;  
FIG. 7 is a top plan view of FIG. 2 thereof; and,  
FIG. 8 is a bottom plan view of FIG. 2 thereof.

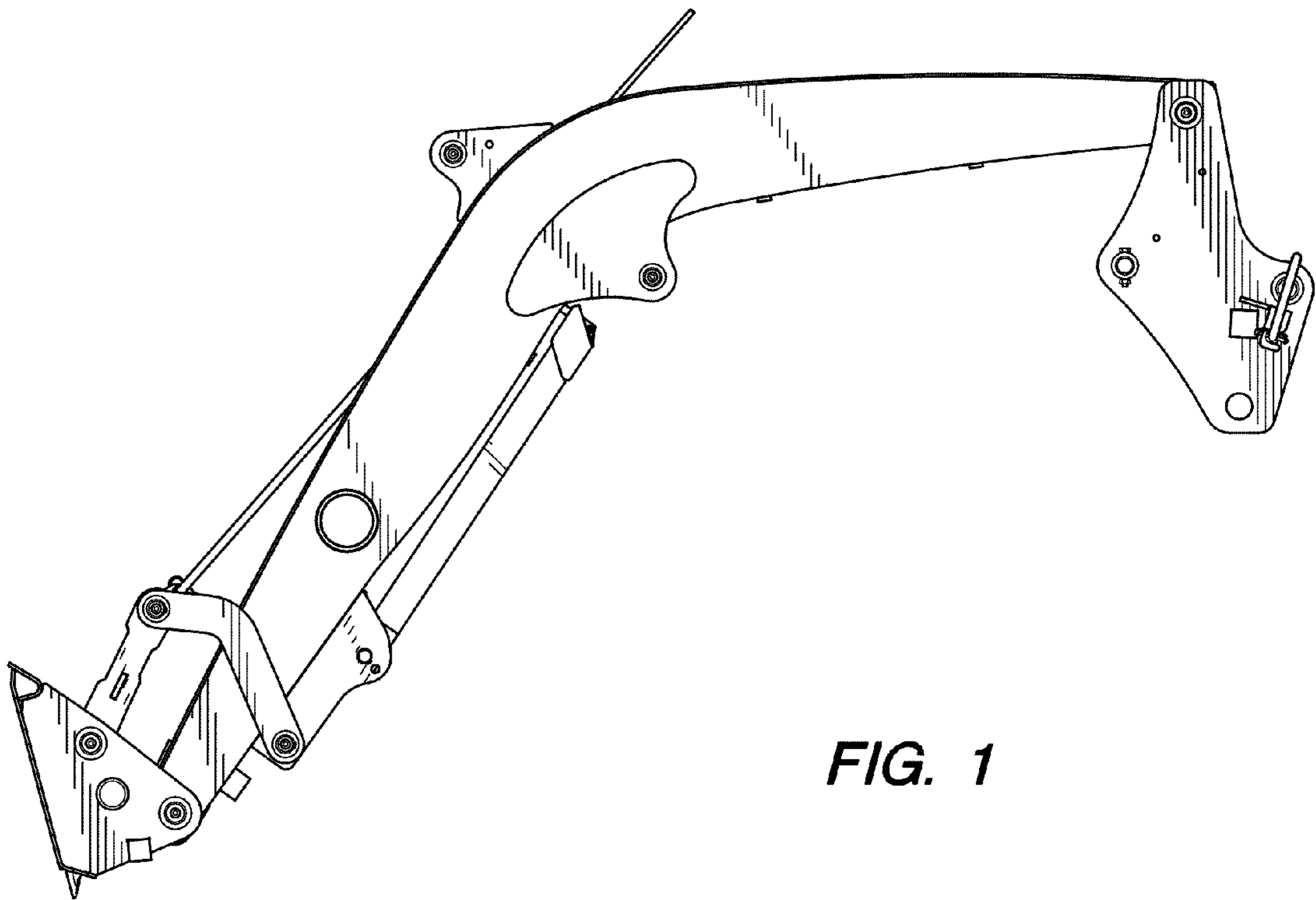
**1 Claim, 7 Drawing Sheets**

(56) **References Cited**

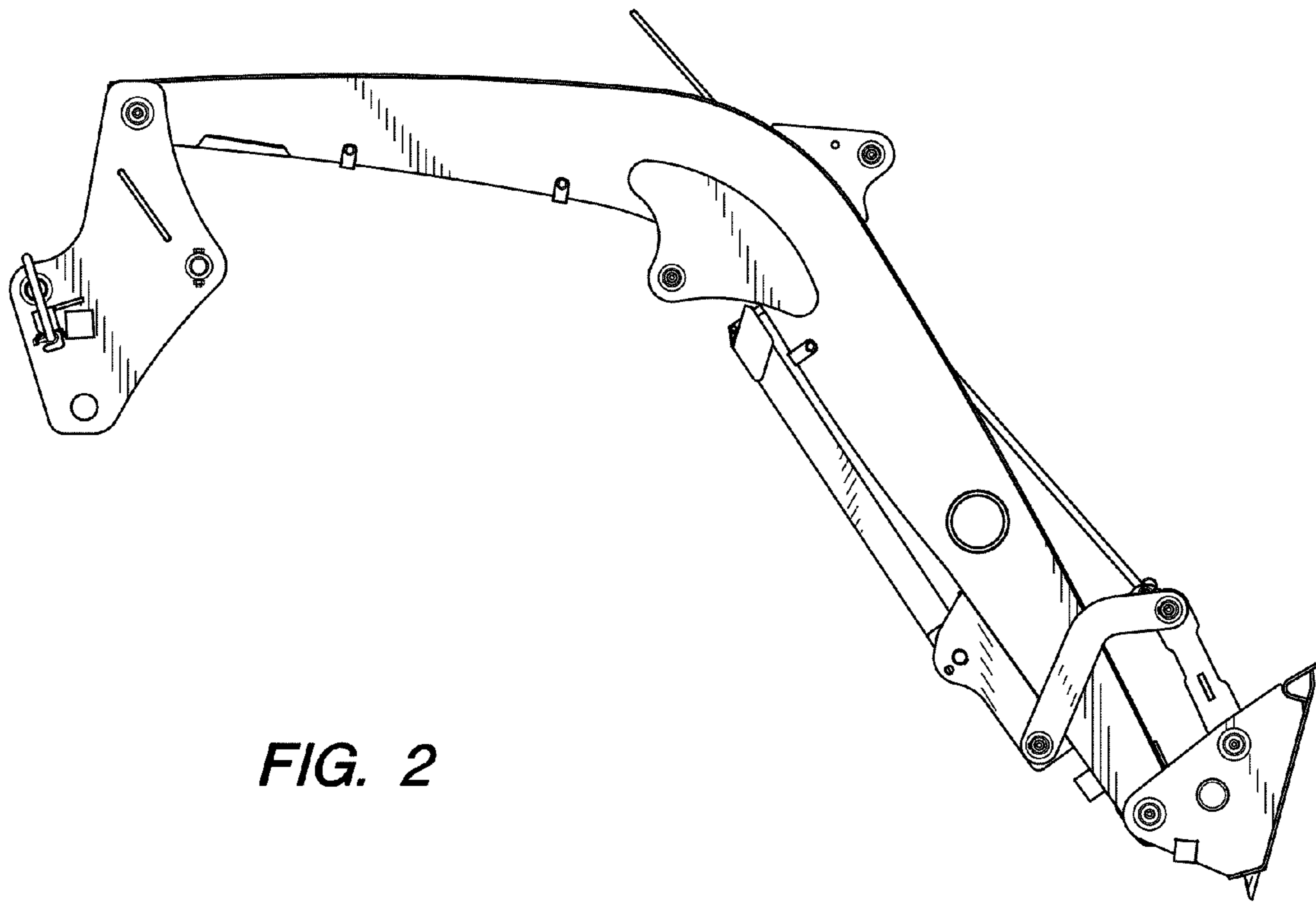
**U.S. PATENT DOCUMENTS**

4,576,543	A *	3/1986	Kuchyt et al. ....	414/722
D459,368	S *	6/2002	Westendorf et al. ....	D15/32
D507,004	S *	7/2005	Westendorf et al. ....	D15/32
D518,075	S *	3/2006	Westendorf et al. ....	D15/32
D528,569	S *	9/2006	Nilsson ..... ..	D15/32
D529,053	S *	9/2006	Stender et al. ....	D15/32
D533,883	S *	12/2006	Higashikawa et al. ....	D15/32
D584,749	S *	1/2009	Smith et al. ....	D15/28
D595,746	S *	7/2009	Iida et al. ....	D15/32
D598,031	S *	8/2009	Smith et al. ....	D15/28
D610,172	S *	2/2010	Yukino et al. ....	D15/32

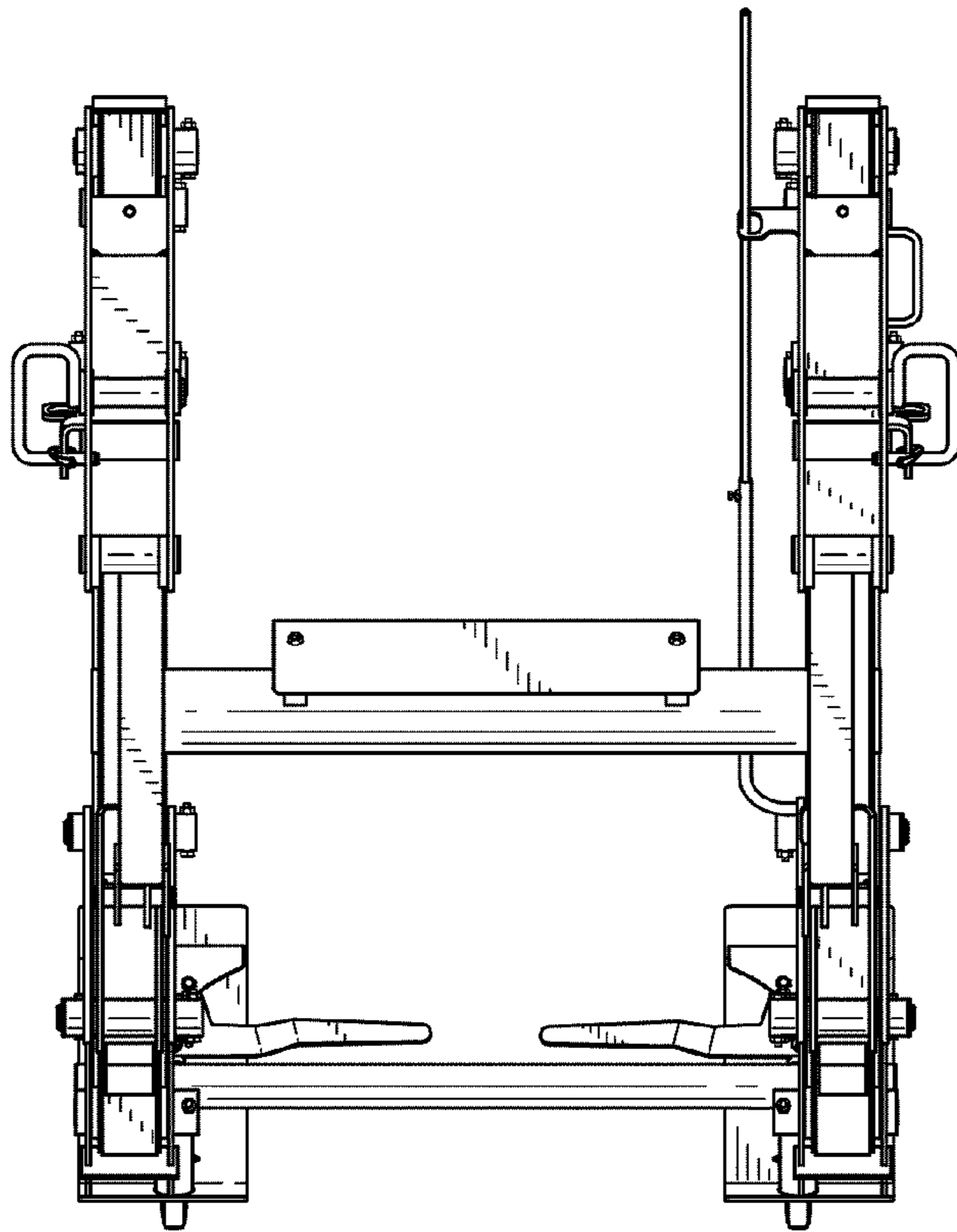




**FIG. 1**



**FIG. 2**



*FIG. 3*

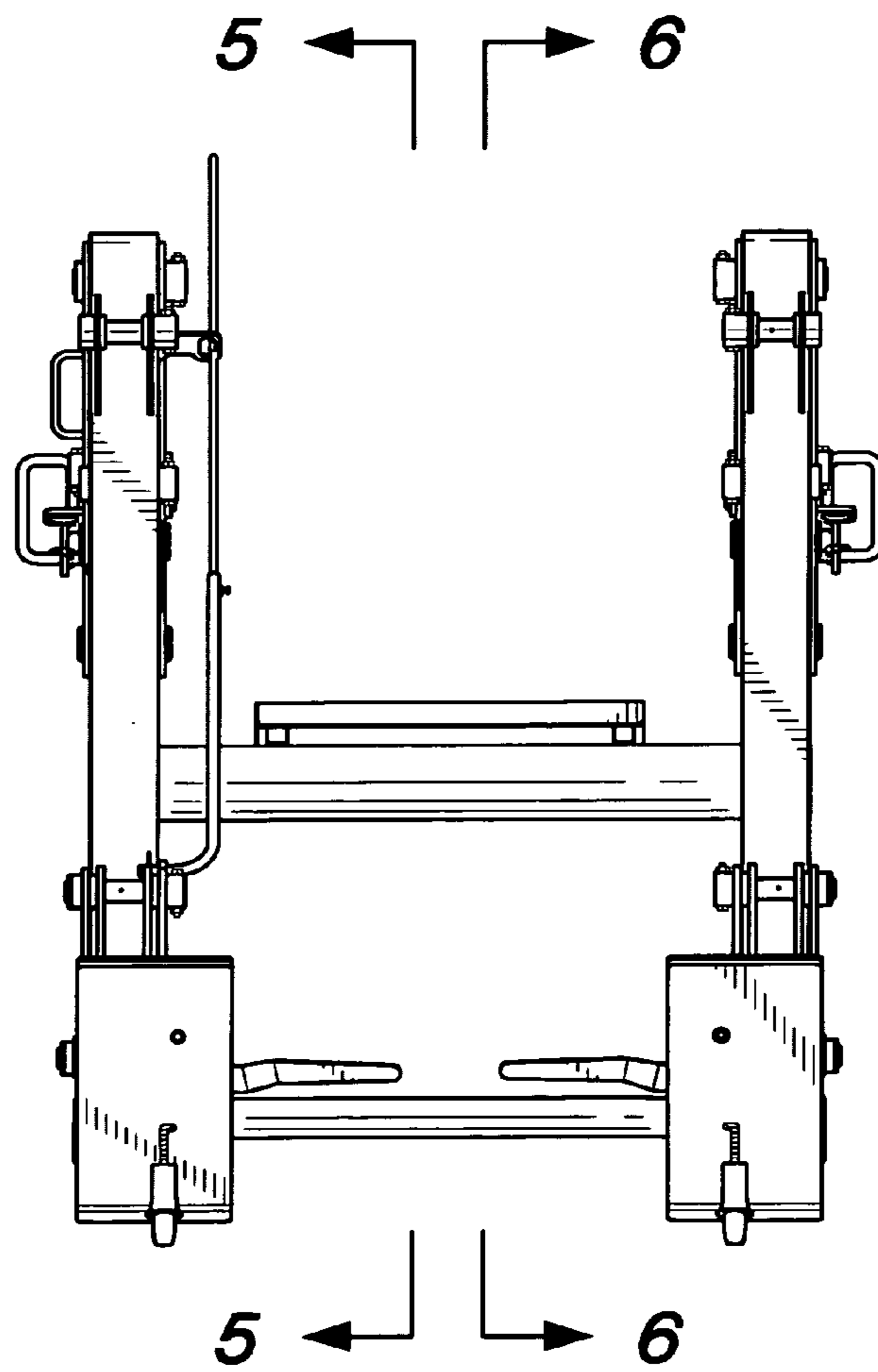
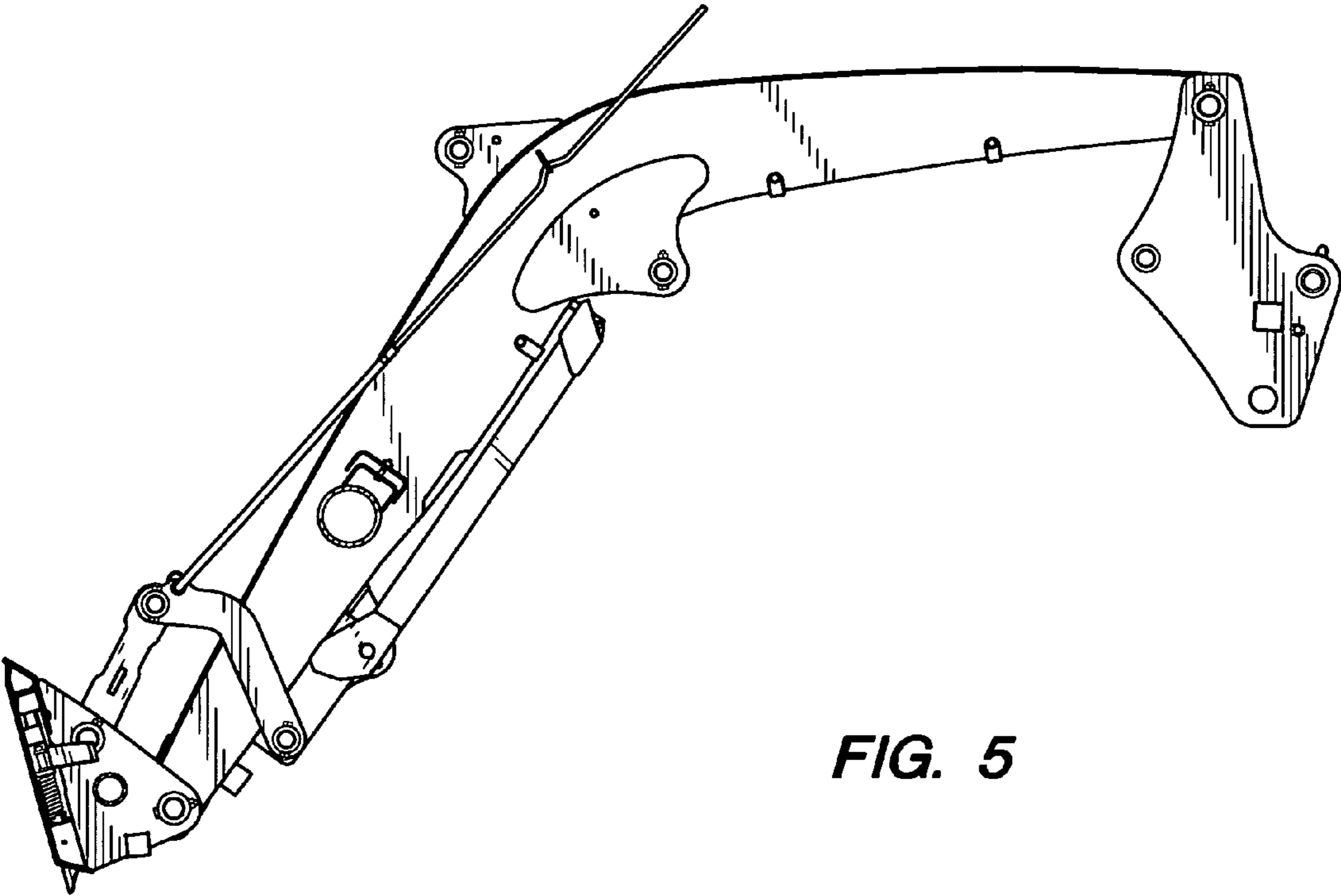
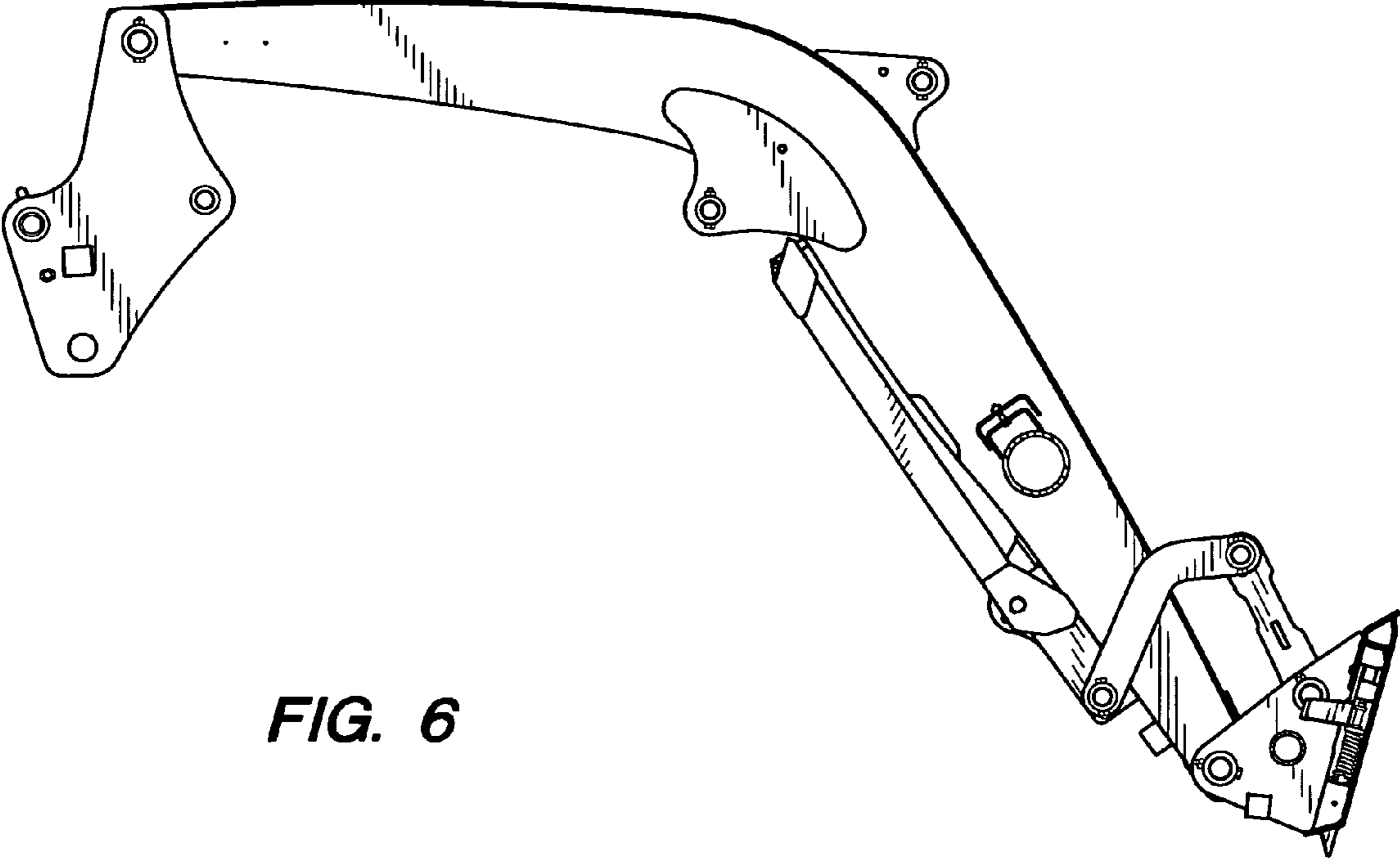


FIG. 4

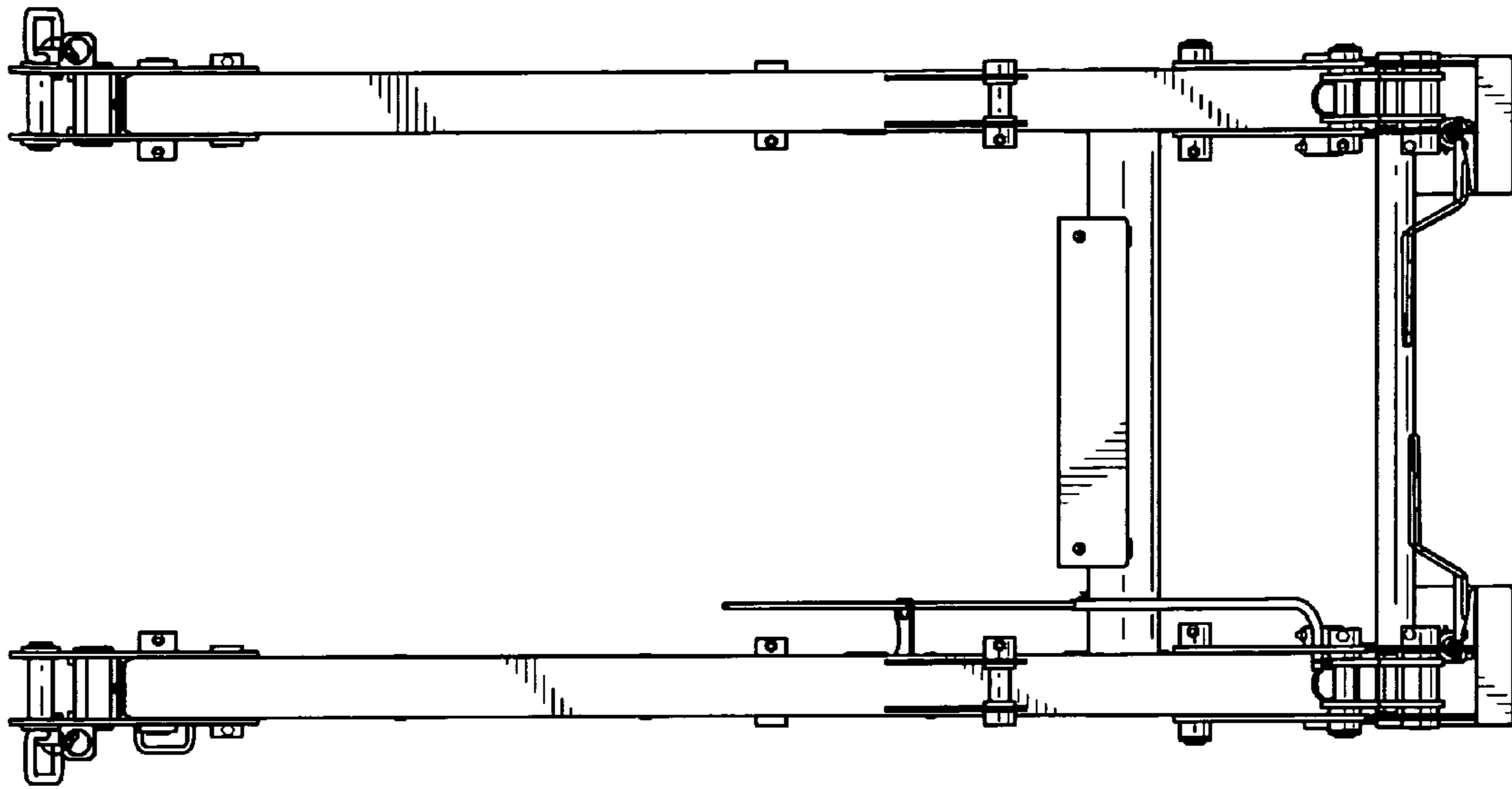


**FIG. 5**

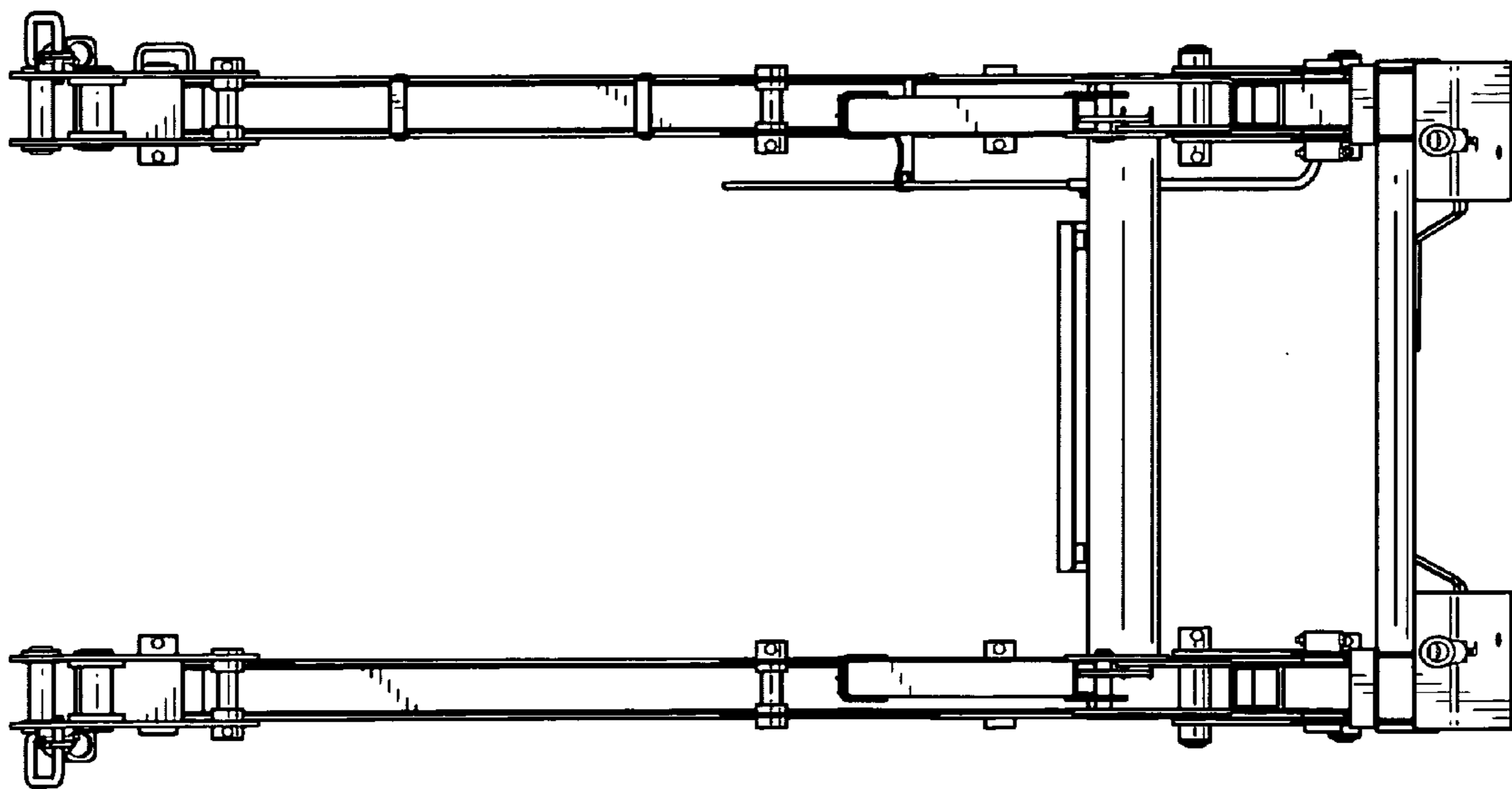


**FIG. 6**





**FIG. 7**



**FIG. 8**