



US00D649170S

(12) **United States Design Patent**
Barba

(10) **Patent No.:** **US D649,170 S**

(45) **Date of Patent:** **** *Nov. 22, 2011**

(54) **TRACTOR ARM**

(75) Inventor: **Luigi Barba**, Surbo (IT)

(73) Assignee: **Alcar S.R.L.** (IT)

(*) Notice: This patent is subject to a terminal disclaimer.

(**) Term: **14 Years**

(21) Appl. No.: **29/383,900**

(22) Filed: **Jan. 24, 2011**

(51) **LOC (9) Cl.** **15-03**

(52) **U.S. Cl.** **D15/32; D15/28**

(58) **Field of Classification Search** D15/10,
D15/22-26, 28, 29, 32; 414/686, 694, 722,
414/718, 815, 723, 685; 37/341, 407

See application file for complete search history.

(56) **References Cited**

U.S. PATENT DOCUMENTS

4,576,543	A *	3/1986	Kuchyt et al.	414/722
D459,368	S *	6/2002	Westendorf et al.	D15/32
D507,004	S *	7/2005	Westendorf et al.	D15/32
D518,075	S *	3/2006	Westendorf et al.	D15/32
D528,569	S *	9/2006	Nilsson	D15/32
D529,053	S *	9/2006	Stender et al.	D15/32
D533,883	S *	12/2006	Higashikawa et al.	D15/32
D584,749	S *	1/2009	Smith et al.	D15/28
D595,746	S *	7/2009	Iida et al.	D15/32

D598,031	S *	8/2009	Smith et al.	D15/28
D610,172	S *	2/2010	Yukino et al.	D15/32
D628,604	S *	12/2010	Major	D15/32
D629,019	S *	12/2010	Major	D15/32
2004/0228717	A1 *	11/2004	Perrin et al.	414/723
2007/0217899	A1 *	9/2007	Sakada	414/722
2007/0243052	A1 *	10/2007	Fukudome et al.	414/723
2008/0063502	A1 *	3/2008	Nilsson	414/685
2008/0193269	A1 *	8/2008	Sakada et al.	414/722

* cited by examiner

Primary Examiner — Mark Goodwin

(74) *Attorney, Agent, or Firm* — Stetina Brunda Garred & Brucker

(57) **CLAIM**

The ornamental design for a tractor arm, as shown and described.

DESCRIPTION

FIG. 1 is a right side view of a tractor arm showing my new design;

FIG. 2 is a left side view thereof;

FIG. 3 is a rear view thereof;

FIG. 4 is a front view thereof;

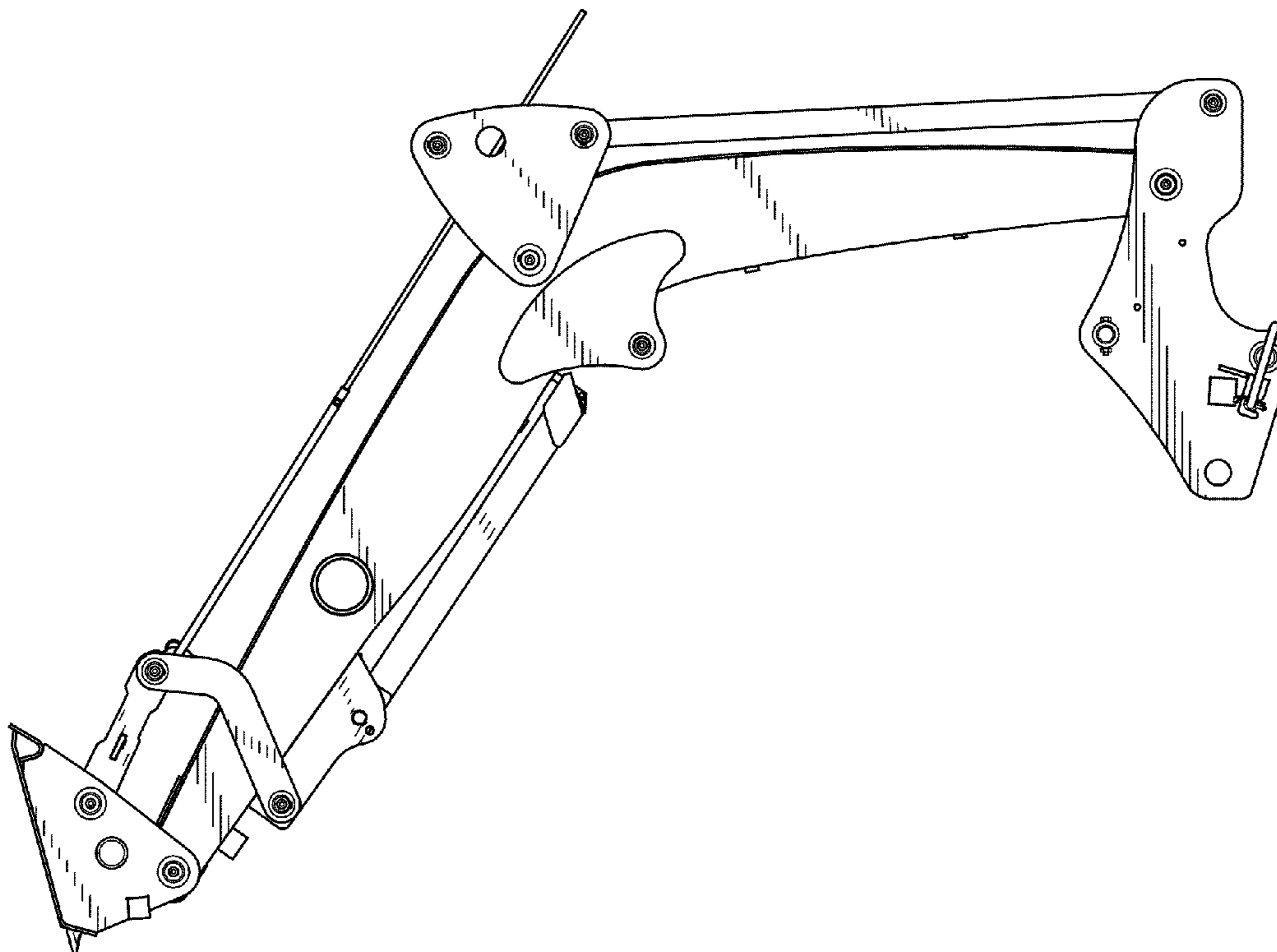
FIG. 5 is a right cross sectional view of FIG. 4 thereof;

FIG. 6 is a left cross sectional view of FIG. 4 thereof;

FIG. 7 is a top plan view of FIG. 2 thereof; and,

FIG. 8 is a bottom plan view of FIG. 2 thereof.

1 Claim, 7 Drawing Sheets



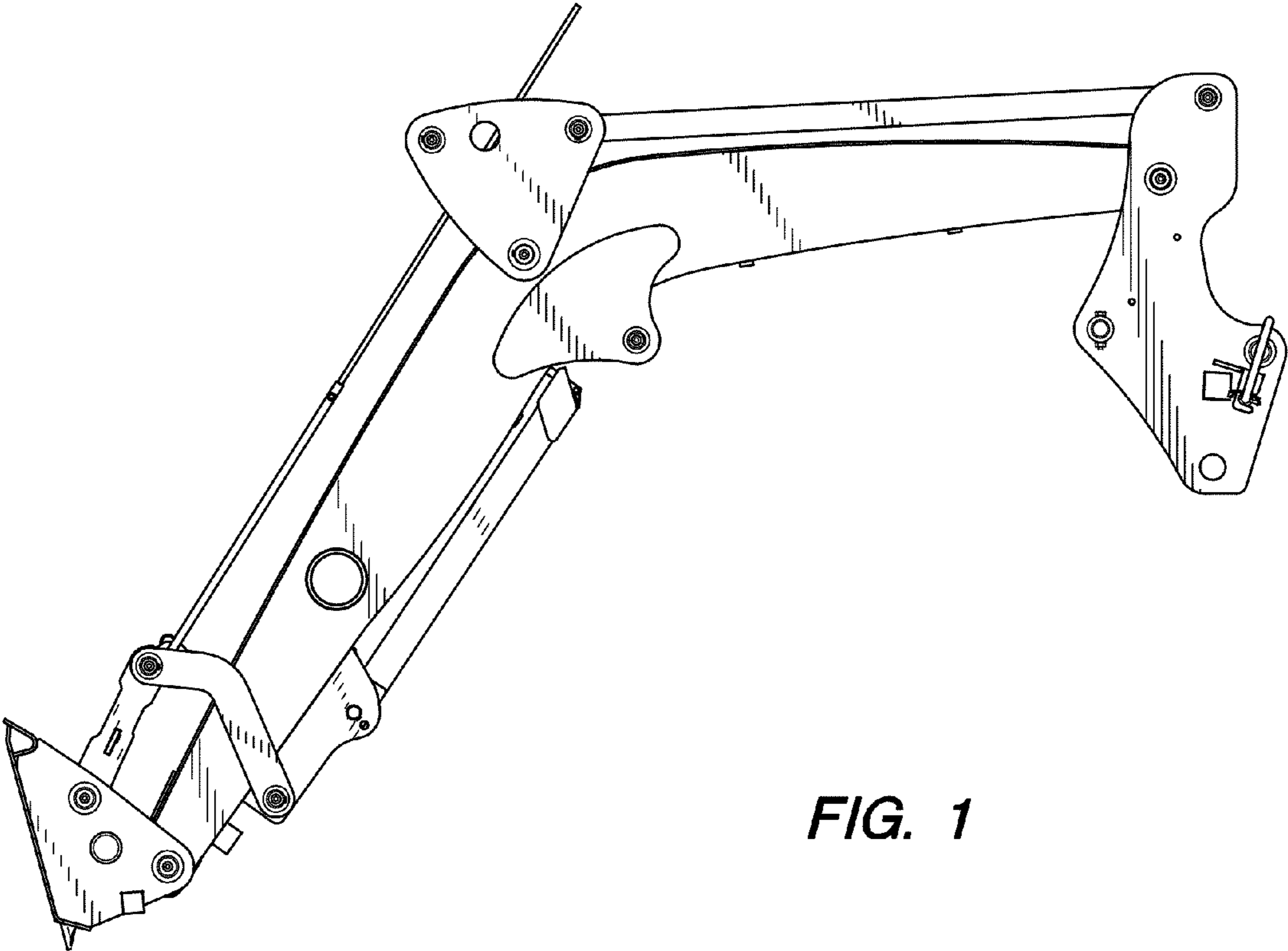


FIG. 1

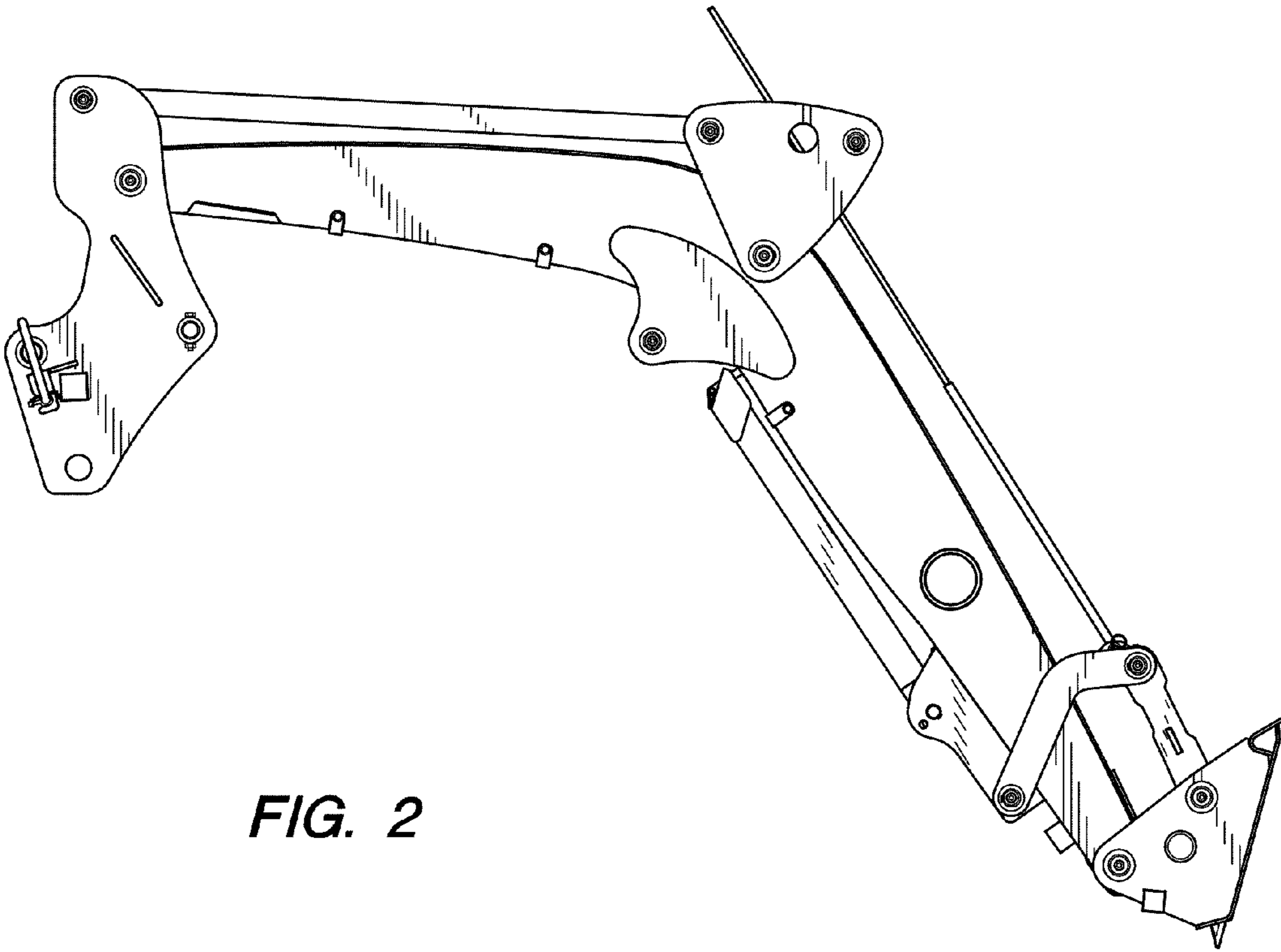


FIG. 2

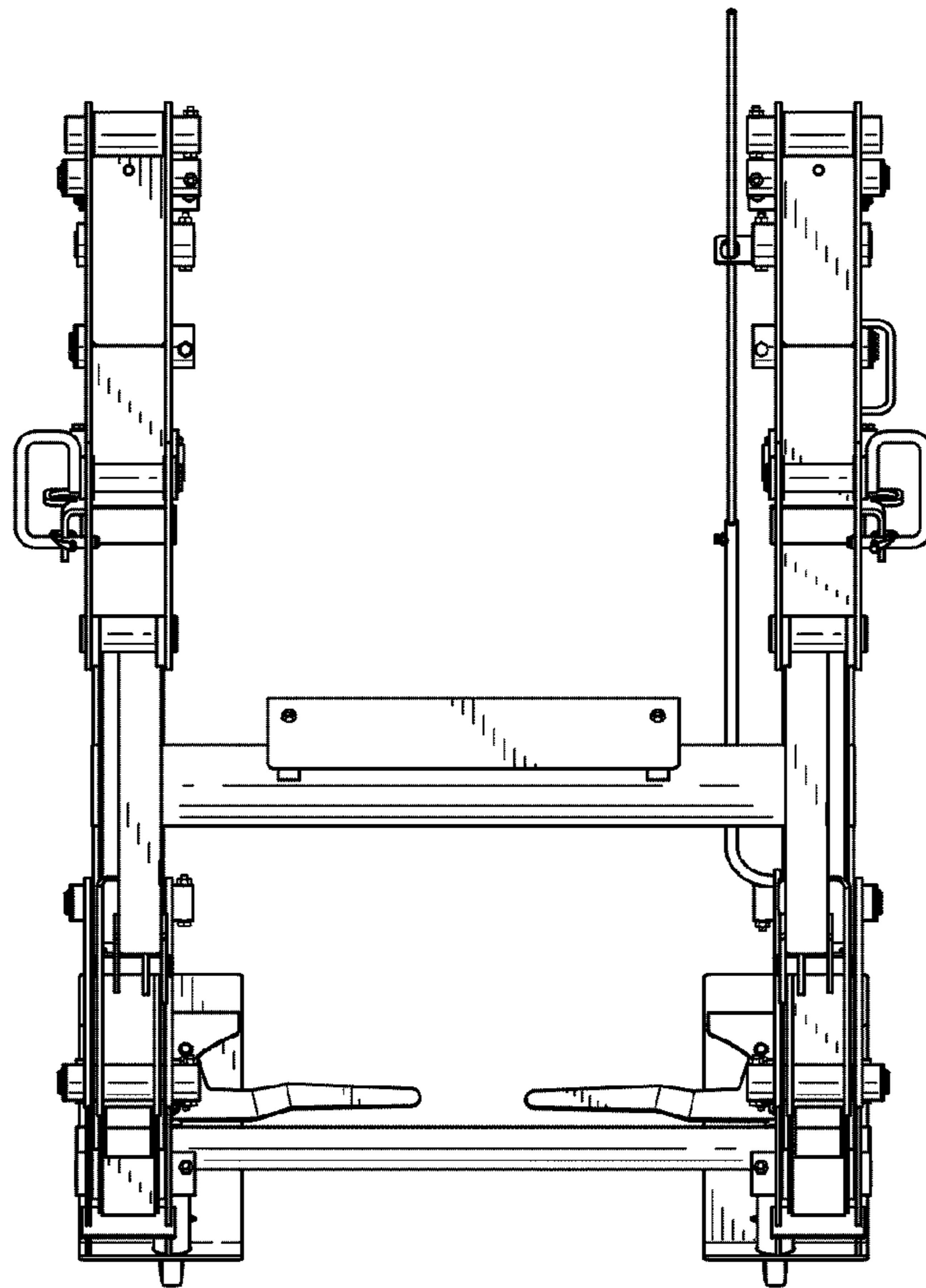


FIG. 3

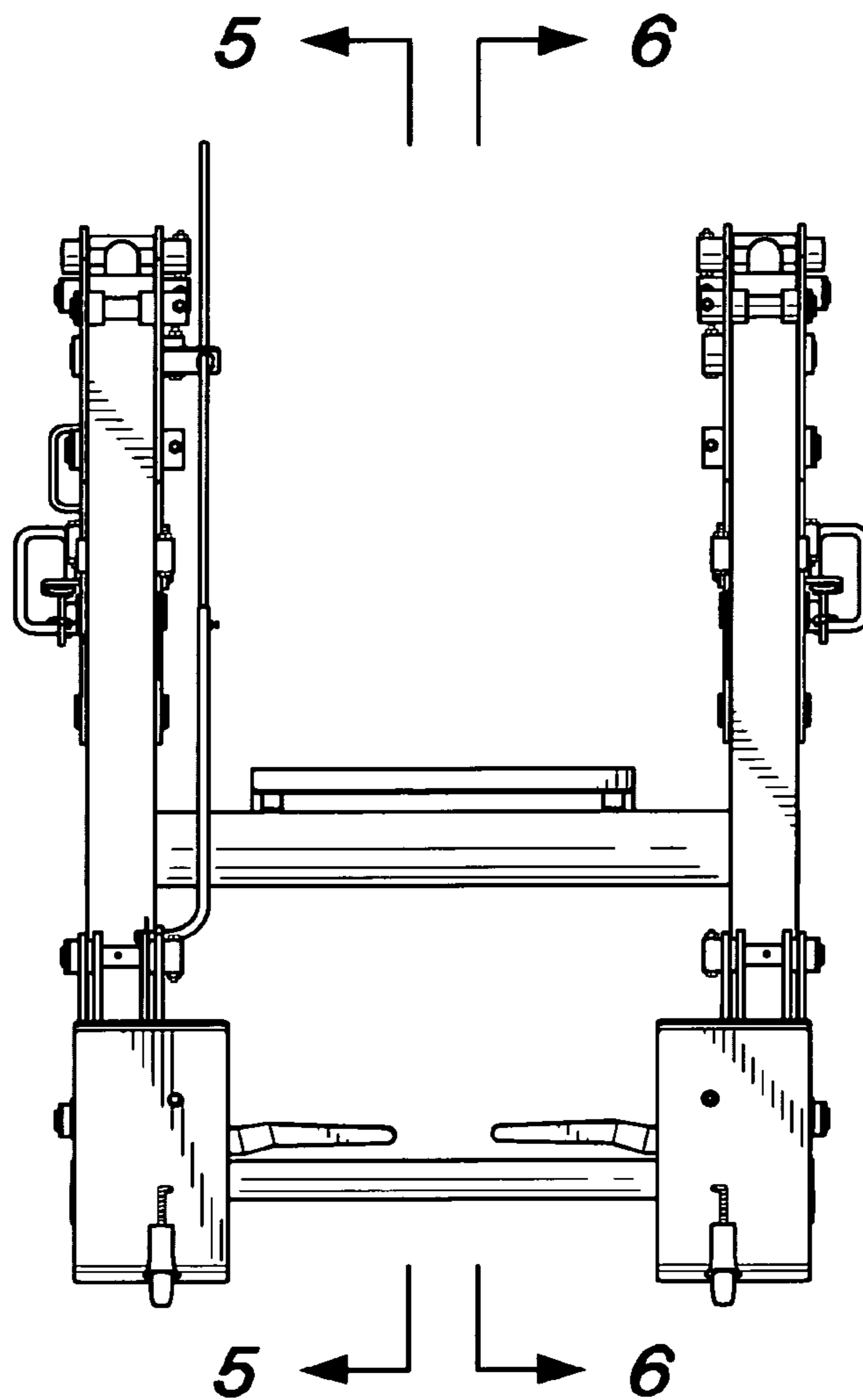


FIG. 4

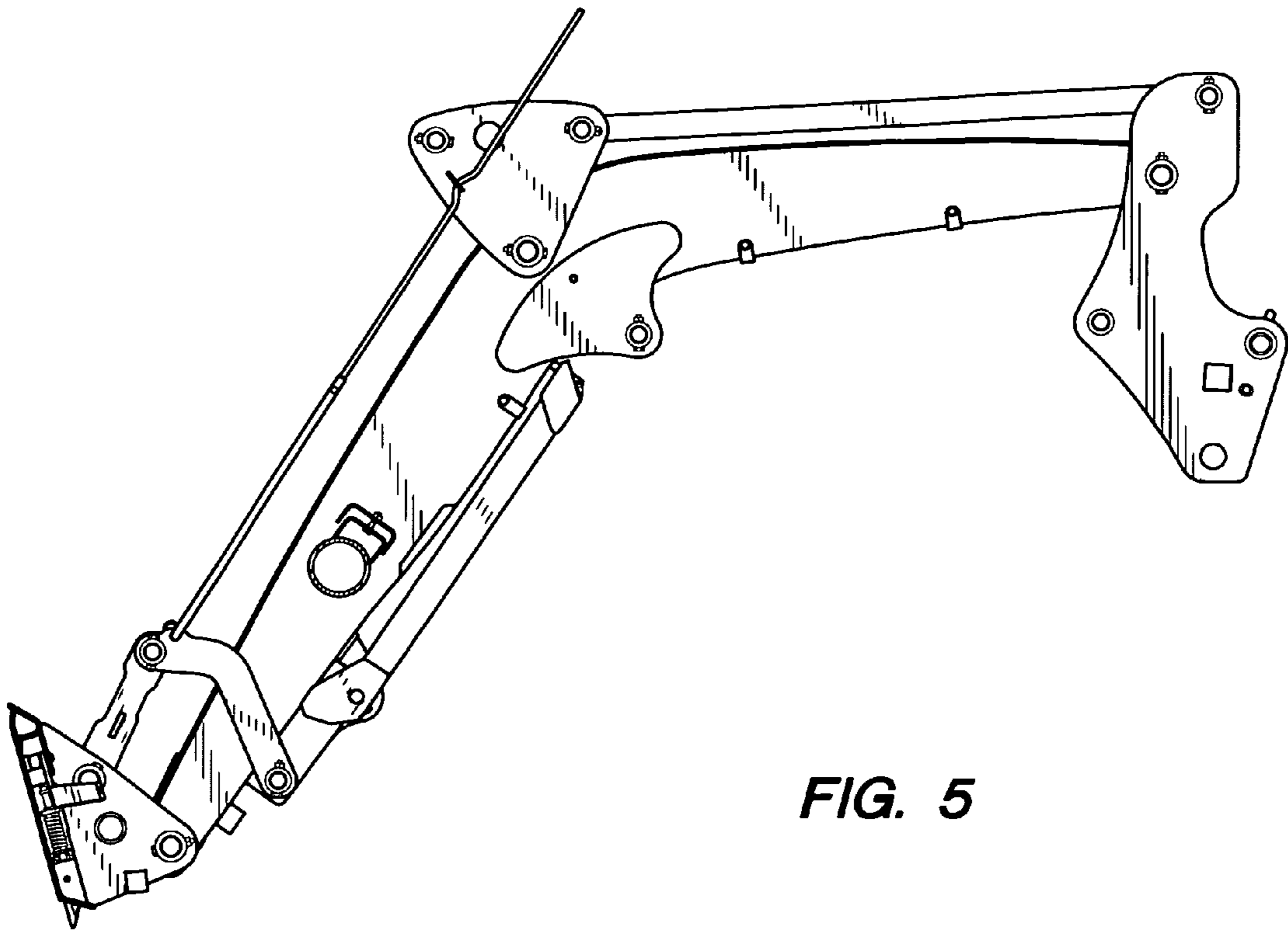


FIG. 5

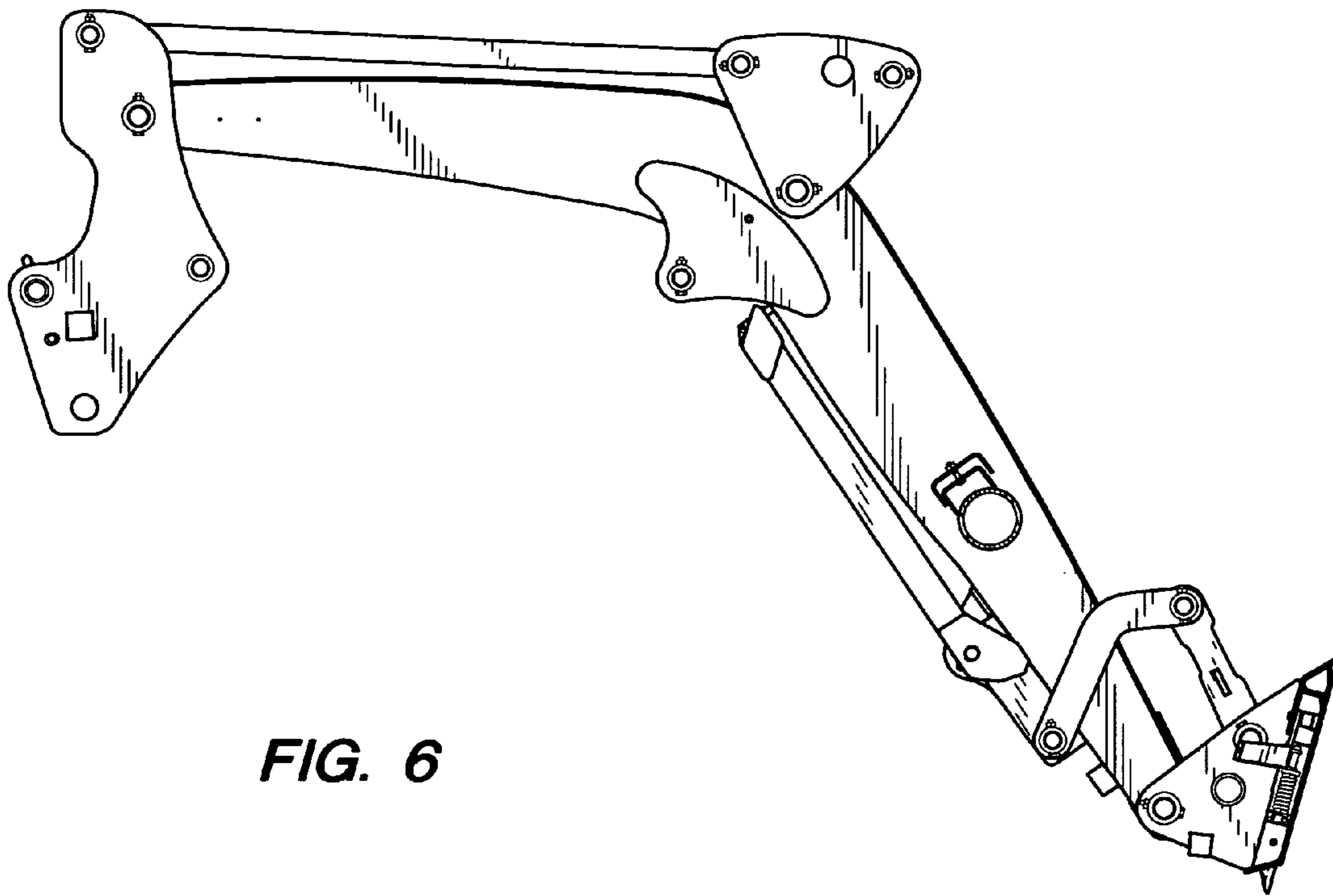


FIG. 6

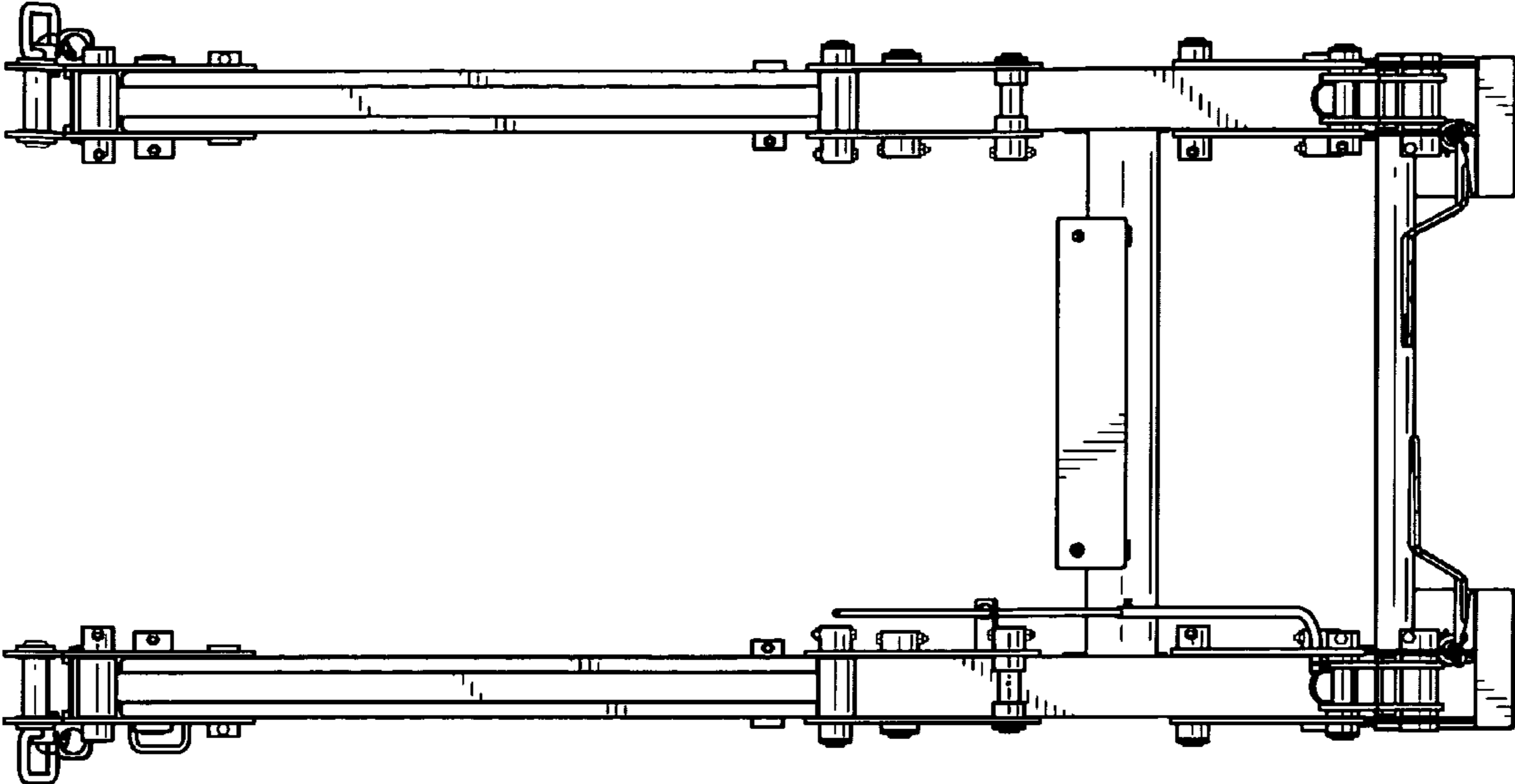


FIG. 7

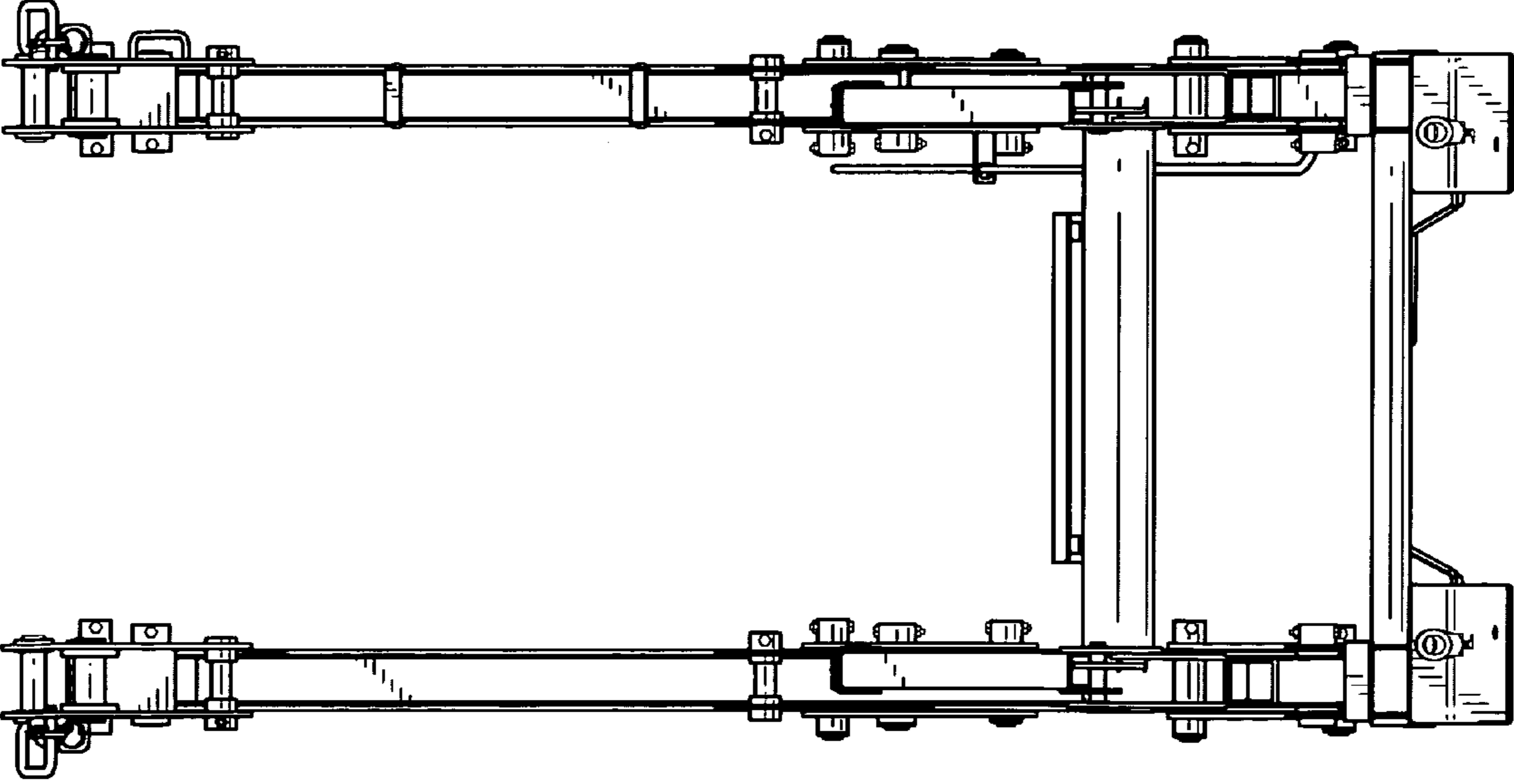


FIG. 8