



US00D649169S

(12) **United States Design Patent**
Hall

(10) **Patent No.:** **US D649,169 S**

(45) **Date of Patent:** **** Nov. 22, 2011**

(54) **TRAY FRAME**

(75) **Inventor:** **Jamie Vincent Clarke Hall**, Thornlie (AU)

(73) **Assignee:** **Austin Engineering Ltd.**, Kewdale (AU)

(**) **Term:** **14 Years**

(21) **Appl. No.:** **29/385,566**

(22) **Filed:** **Feb. 16, 2011**

(51) **LOC (9) Cl.** **15-03**

(52) **U.S. Cl.** **D15/21; D15/33; D12/15; D12/98**

(58) **Field of Classification Search** D15/21, D15/138, 28, 33, 10, 22-26; D12/15, 98, D12/93; 414/476, 477, 480; 298/11, 30, 298/23 C, 23 M, 31, 32; 296/56, 57.1, 52, 296/51, 184

See application file for complete search history.

(56) **References Cited**

U.S. PATENT DOCUMENTS

D118,033 S *	12/1939	Alexander	D12/15
D172,979 S *	9/1954	Mortag	D12/15
D189,025 S *	10/1960	Acker	D12/15
D190,023 S *	4/1961	Parsley et al.	D12/15
D198,841 S *	8/1964	Simmons et al.	D15/33
D204,604 S *	5/1966	Fryer	D12/15
D206,708 S *	1/1967	Maxon, Jr.	D12/15
3,521,930 A *	7/1970	Tucker	298/24
D268,830 S *	5/1983	Sutela	D12/93
D289,748 S *	5/1987	Proeschl	D12/15
D386,128 S *	11/1997	Gerding et al.	D12/93
D386,722 S *	11/1997	Dunphy	D12/93

5,772,271 A *	6/1998	Sanders	296/32
D409,524 S *	5/1999	McKinney	D12/93
D414,138 S *	9/1999	McKinney	D12/98
D425,825 S *	5/2000	Shambeau et al.	D12/93
D429,662 S *	8/2000	Smith et al.	D12/93
D431,498 S *	10/2000	Smith et al.	D12/93
D450,627 S *	11/2001	Musso et al.	D12/15
D466,135 S *	11/2002	Spomer et al.	D15/33
D476,999 S *	7/2003	Truan et al.	D15/28
D606,565 S *	12/2009	Hickenbottom	D15/28
2003/0015906 A1 *	1/2003	Mistler	298/11
2003/0080603 A1 *	5/2003	Connor	298/24
2003/0156933 A1 *	8/2003	Arne et al.	414/502
2005/0115795 A1 *	6/2005	Bailey	198/300
2009/0315387 A1 *	12/2009	Smith	298/1 A

* cited by examiner

Primary Examiner — Mark Goodwin

(74) *Attorney, Agent, or Firm* — Rothwell, Figg, Ernst & Manbeck, P.C.

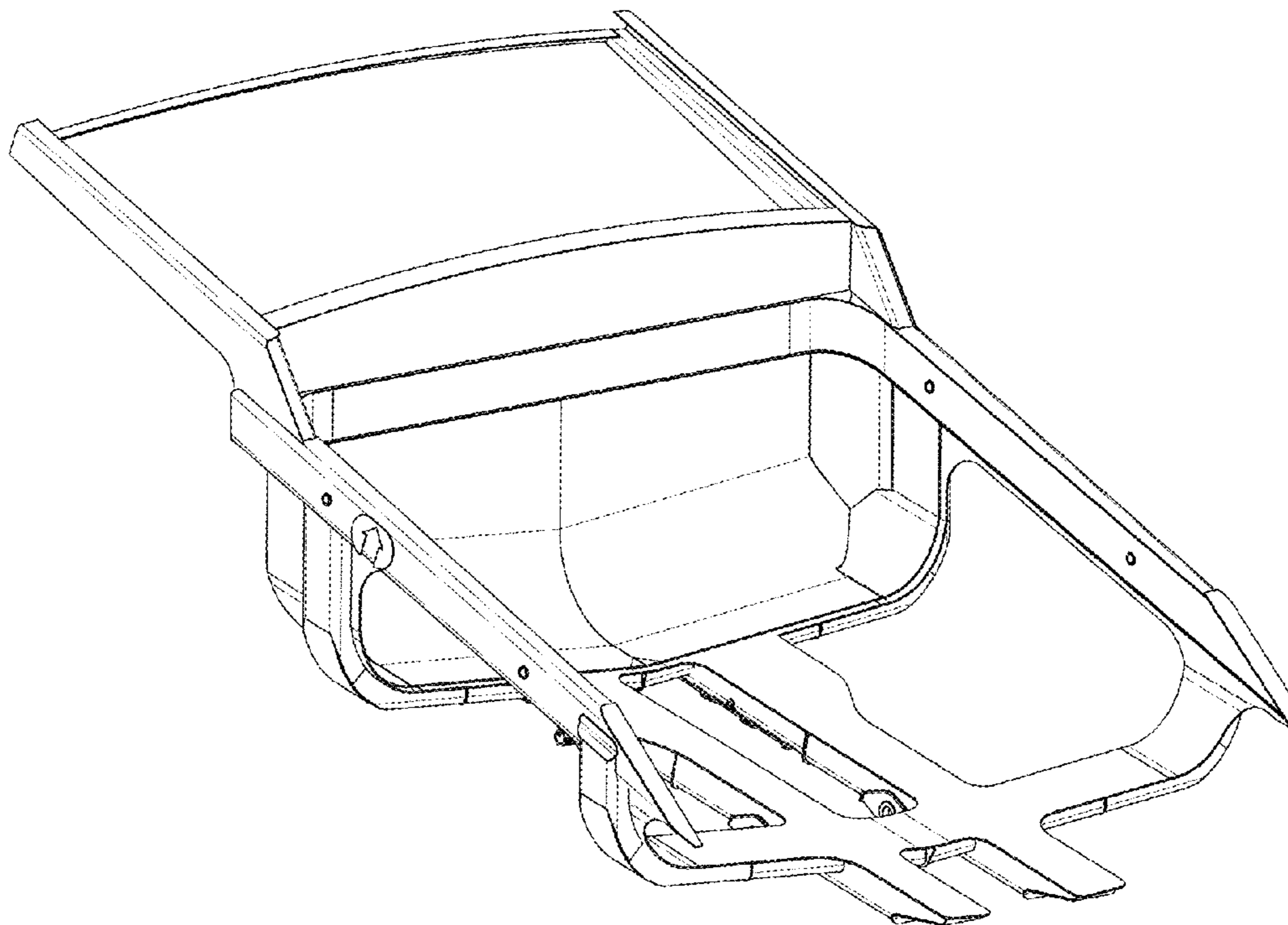
(57) **CLAIM**

The ornamental design for a tray frame, as shown and described.

DESCRIPTION

FIG. 1 is a top perspective view of a tray frame showing my new design;
FIG. 2 is a bottom perspective view thereof;
FIG. 3 is a side view thereof;
FIG. 4 is a top plan view thereof;
FIG. 5 is a bottom plan view thereof;
FIG. 6 is a front view thereof; and,
FIG. 7 is a rear view thereof.

1 Claim, 6 Drawing Sheets



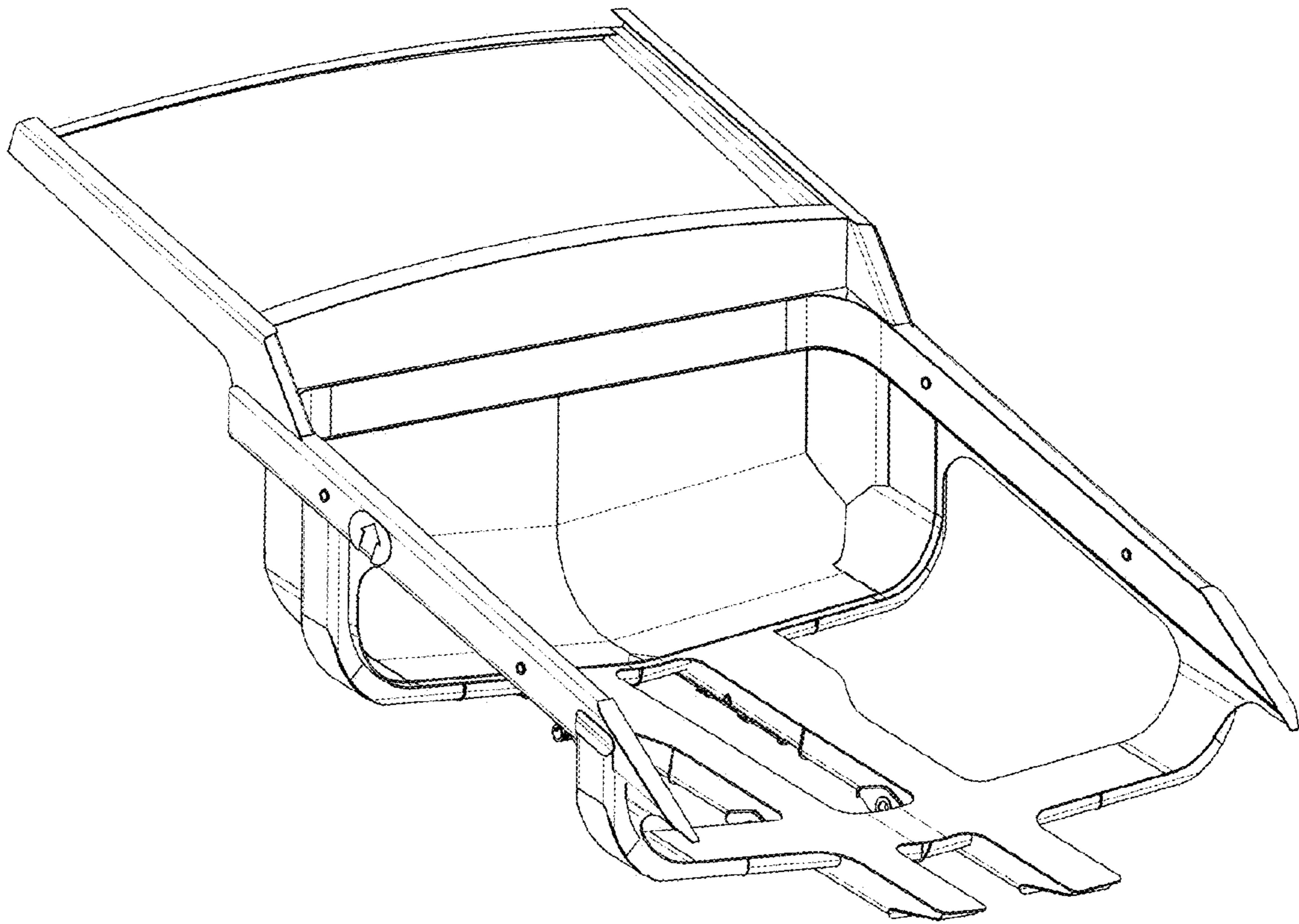


Fig. 1

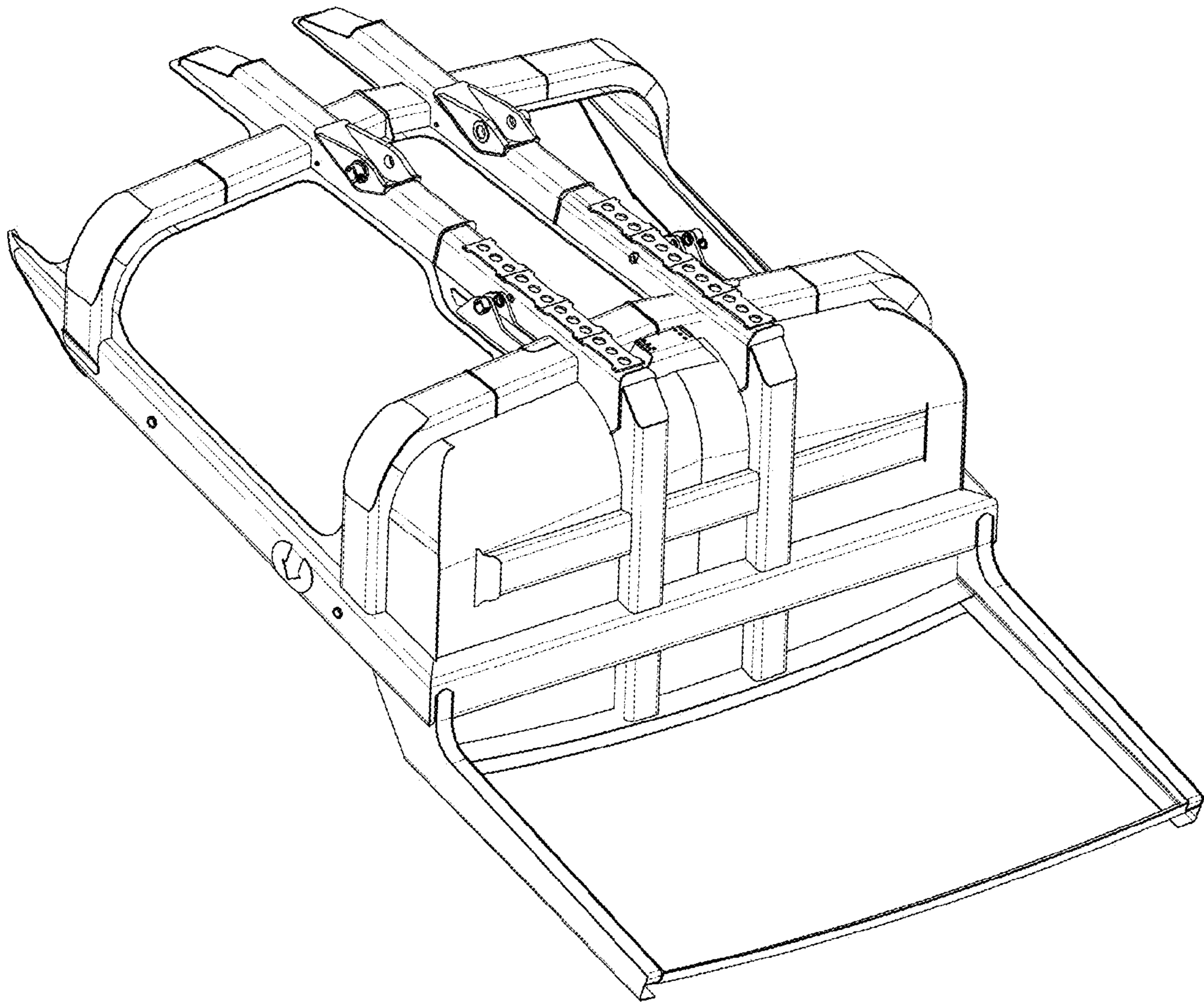


Fig. 2

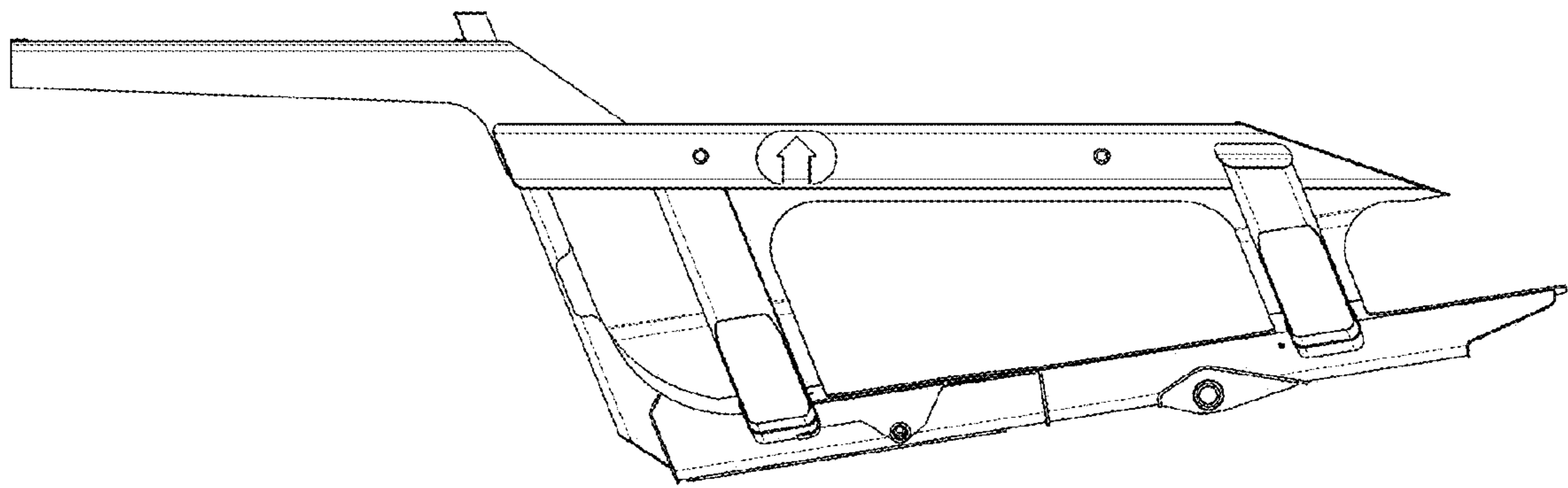


Fig. 3

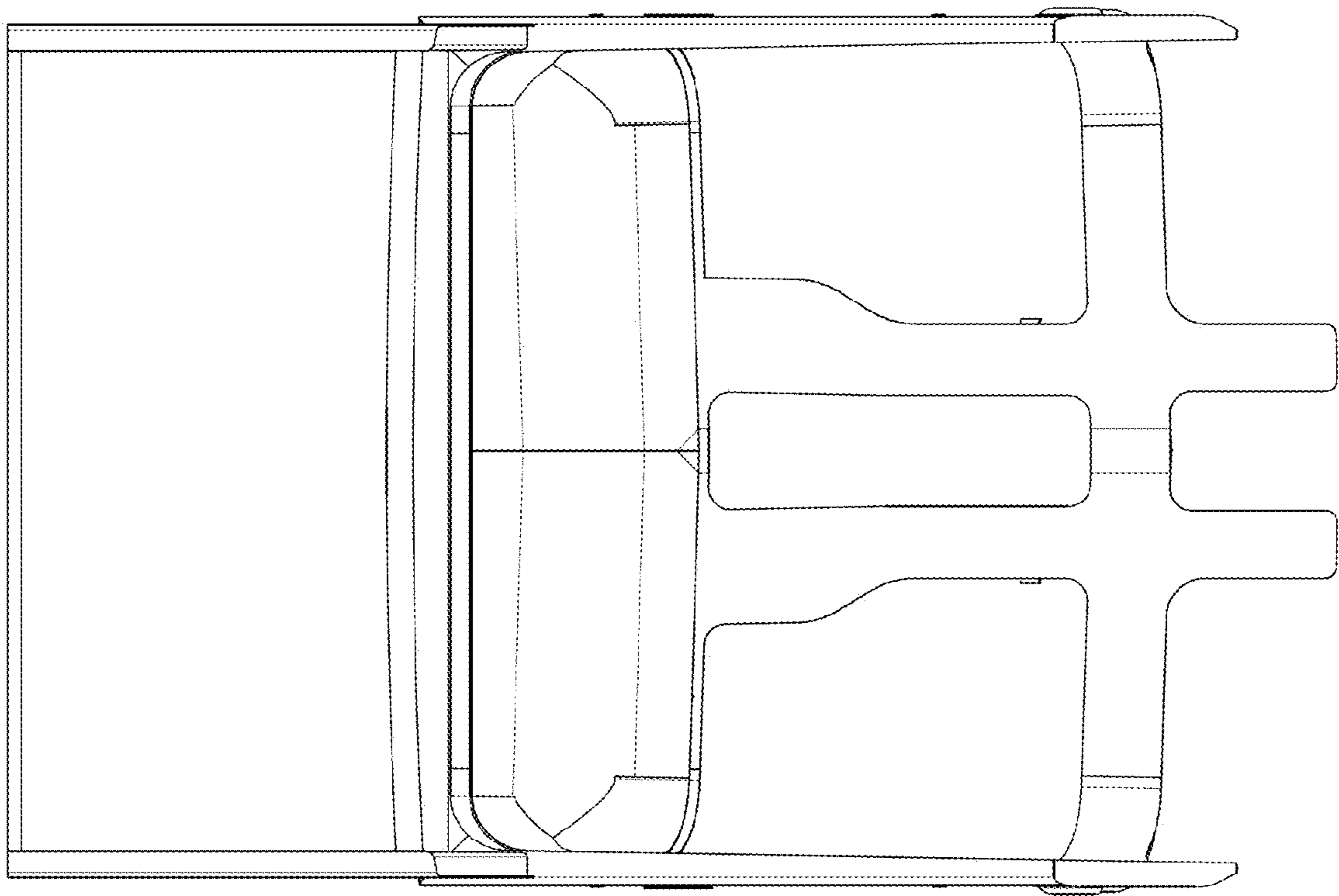


Fig. 4

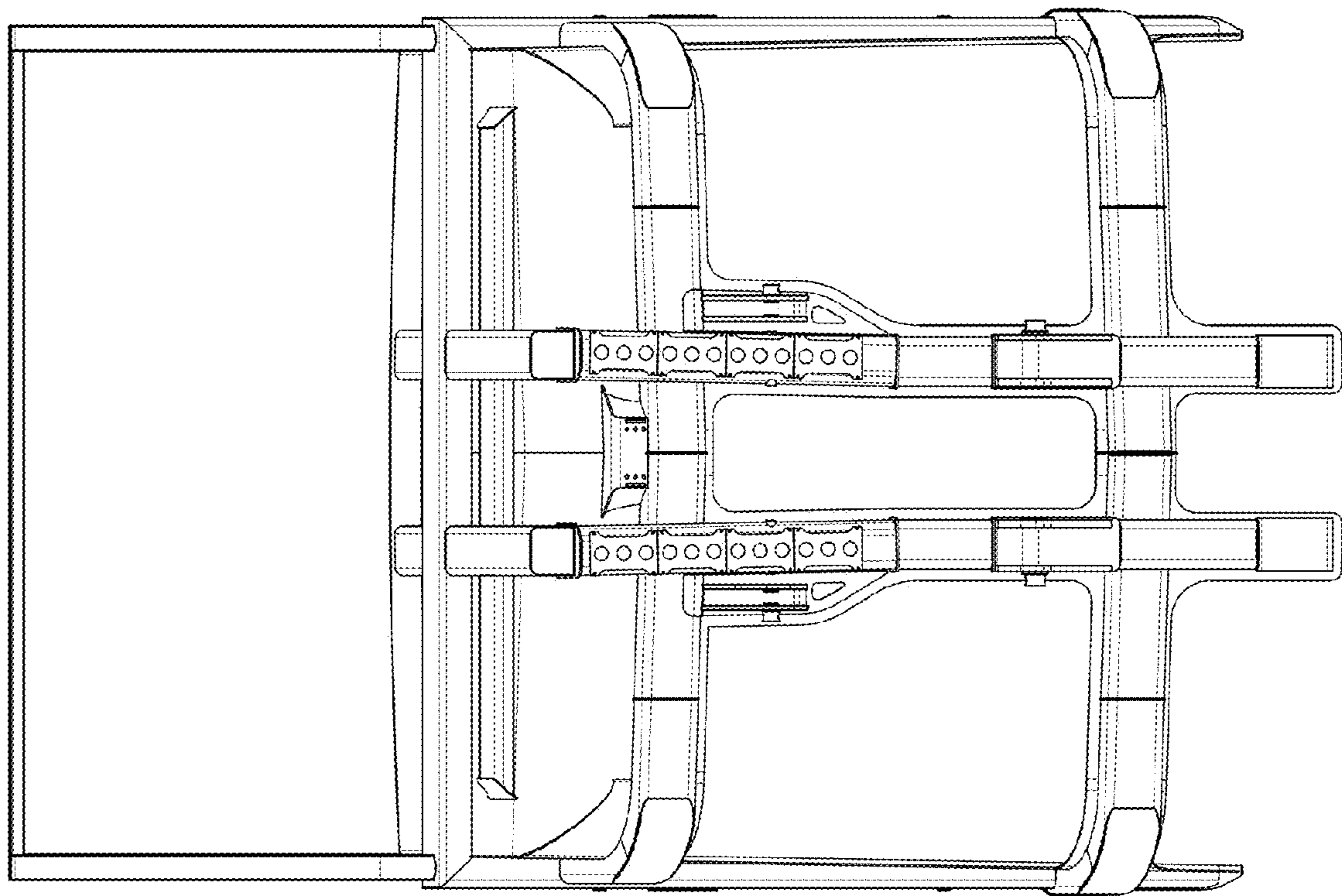


Fig. 5

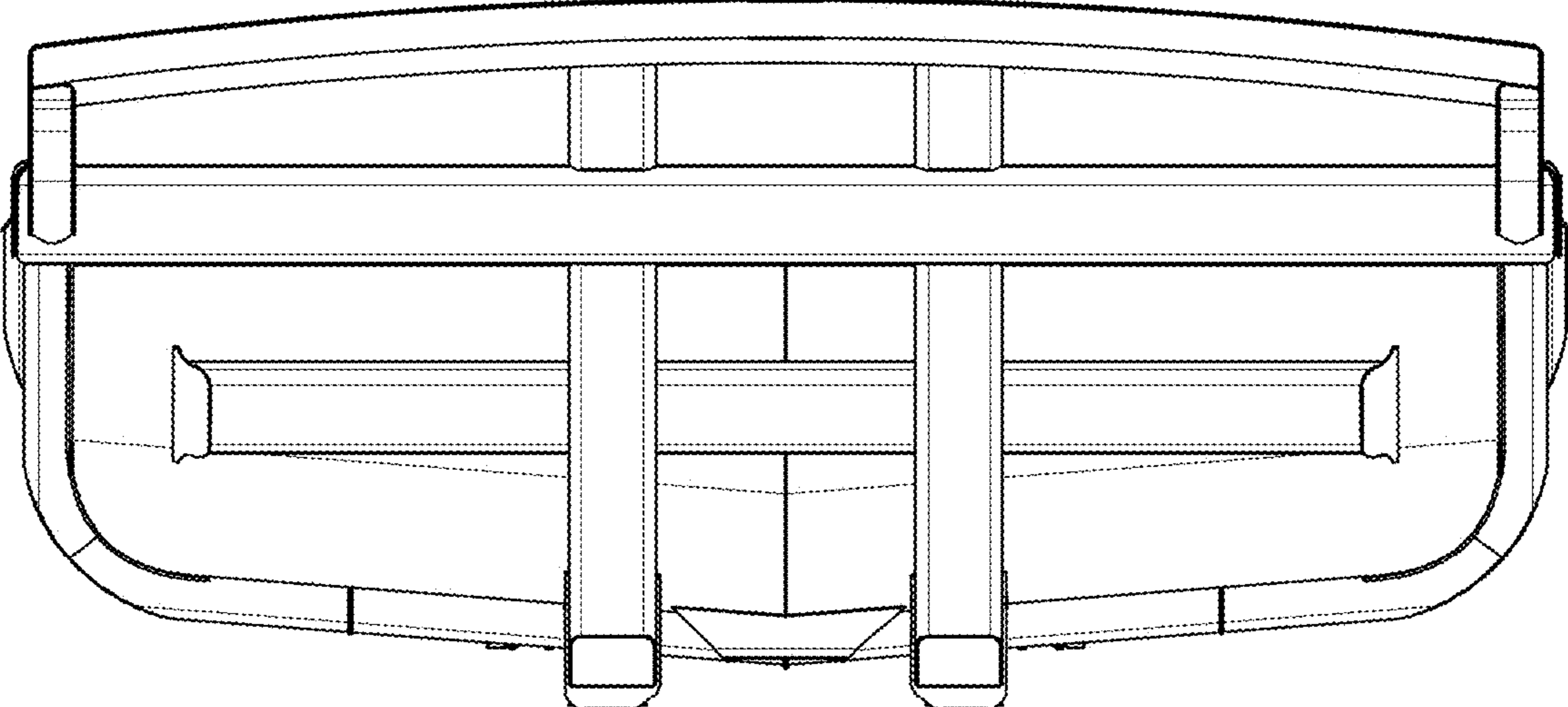


Fig. 6

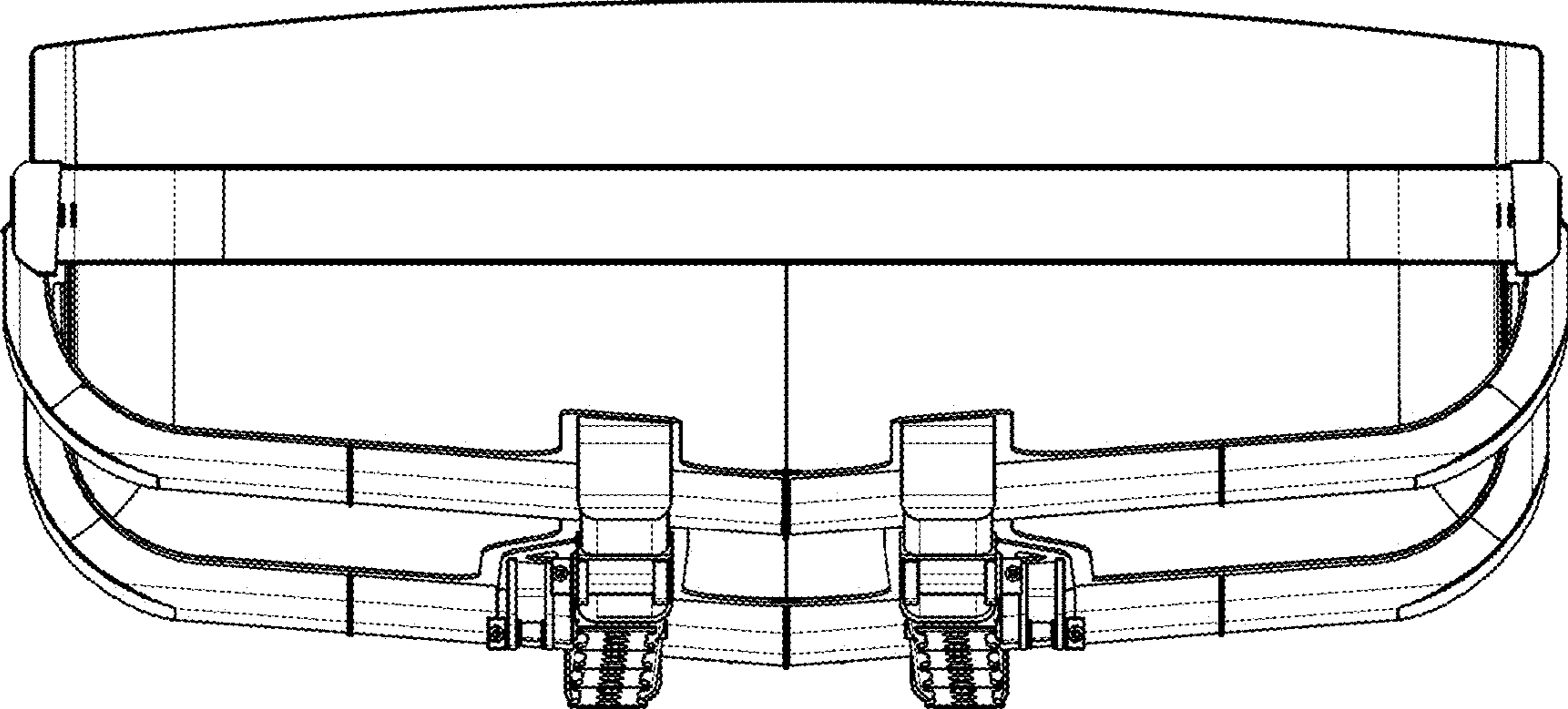


Fig. 7