



US00D649166S

(12) **United States Design Patent**
Thackery

(10) **Patent No.:** **US D649,166 S**

(45) **Date of Patent:** **** Nov. 22, 2011**

(54) **MOWER SHROUD**

(75) Inventor: **Clinton C. Thackery**, Anderson, SC
(US)

(73) Assignee: **Techtronic Outdoor Products**
Technology Limited, Hamilton (BM)

(**) Term: **14 Years**

(21) Appl. No.: **29/384,224**

(22) Filed: **Jan. 28, 2011**

(51) **LOC (9) Cl.** **15-03**

(52) **U.S. Cl.** **D15/17; D15/5**

(58) **Field of Classification Search** D15/1-5,
D15/14, 17, 18; 123/195.3, 198 E, 306, 308,
123/657, 661, 667; 56/320.1, 320.2, 16.7,
56/17.4, 17.5

See application file for complete search history.

(56) **References Cited**

U.S. PATENT DOCUMENTS

D248,761 S *	8/1978	Uhlinger et al.	D15/17
D352,042 S *	11/1994	Davies, III	D15/17
D352,043 S *	11/1994	Davies, III	D15/17
D396,478 S *	7/1998	Hubbach	D15/5
D397,342 S *	8/1998	Shimizu	D15/5
D466,905 S *	12/2002	Neeley et al.	D15/1
D468,751 S *	1/2003	Neeley et al.	D15/1
D484,889 S *	1/2004	Neeley et al.	D15/1
D513,012 S *	12/2005	Strandell et al.	D15/5
D513,754 S *	1/2006	Strandell et al.	D15/5
D525,991 S *	8/2006	Walters	D15/5
D527,022 S *	8/2006	Walters	D15/5
D527,741 S *	9/2006	Vervoorn	D15/5
D532,794 S *	11/2006	Glass	D15/5

D548,750 S *	8/2007	Neeley et al.	D15/5
D576,178 S *	9/2008	Neeley	D15/1
D583,831 S *	12/2008	Post et al.	D15/5
D585,459 S *	1/2009	Jing	D15/5
D594,878 S *	6/2009	Post et al.	D15/5
D624,562 S *	9/2010	Neeley et al.	D15/17

* cited by examiner

Primary Examiner — Mark Goodwin

(74) *Attorney, Agent, or Firm* — Michael Best & Friedrich LLP

(57) **CLAIM**

The ornamental design for a mower shroud, as shown and described.

DESCRIPTION

FIG. 1 is a perspective view of a mower shroud, with a mower deck and a mower handle of a lawnmower included for illustrative purposes.

FIG. 2 is a perspective view of the mower shroud shown in FIG. 1.

FIG. 3 is a left side view of the mower shroud shown in FIG. 1.

FIG. 4 is a right side view of the mower shroud shown in FIG. 1.

FIG. 5 is a front view of the mower shroud shown in FIG. 1.

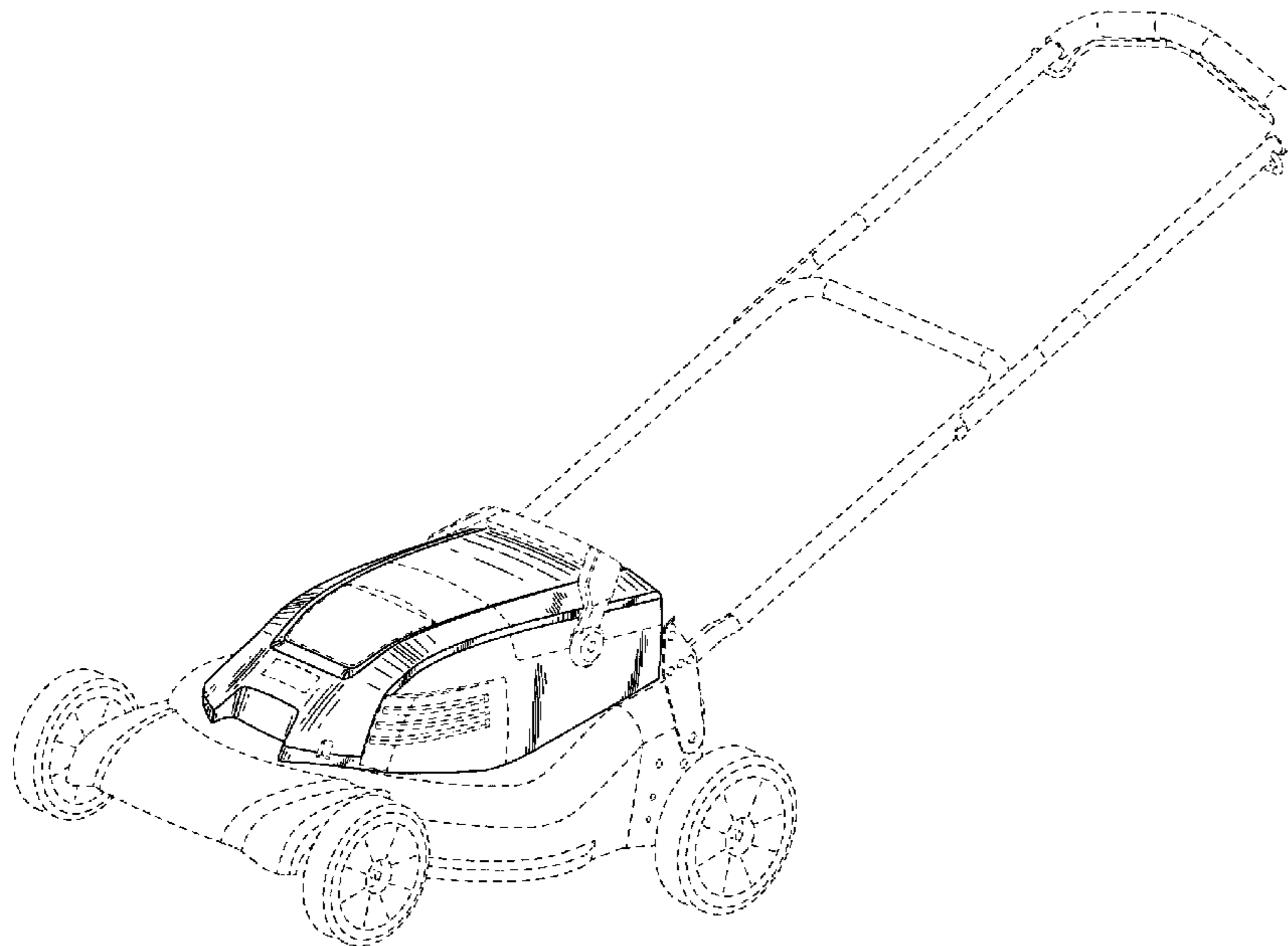
FIG. 6 is a rear view of the mower shroud shown in FIG. 1.

FIG. 7 is a top view of the mower shroud shown in FIG. 1; and,

FIG. 8 is a bottom view of the mower shroud shown in FIG. 1.

The elements shown in broken lines, including the portions of the lawn mower including a mower deck and a mower handle, are included for the purpose of illustrating environment and form no part of the claimed design.

1 Claim, 7 Drawing Sheets



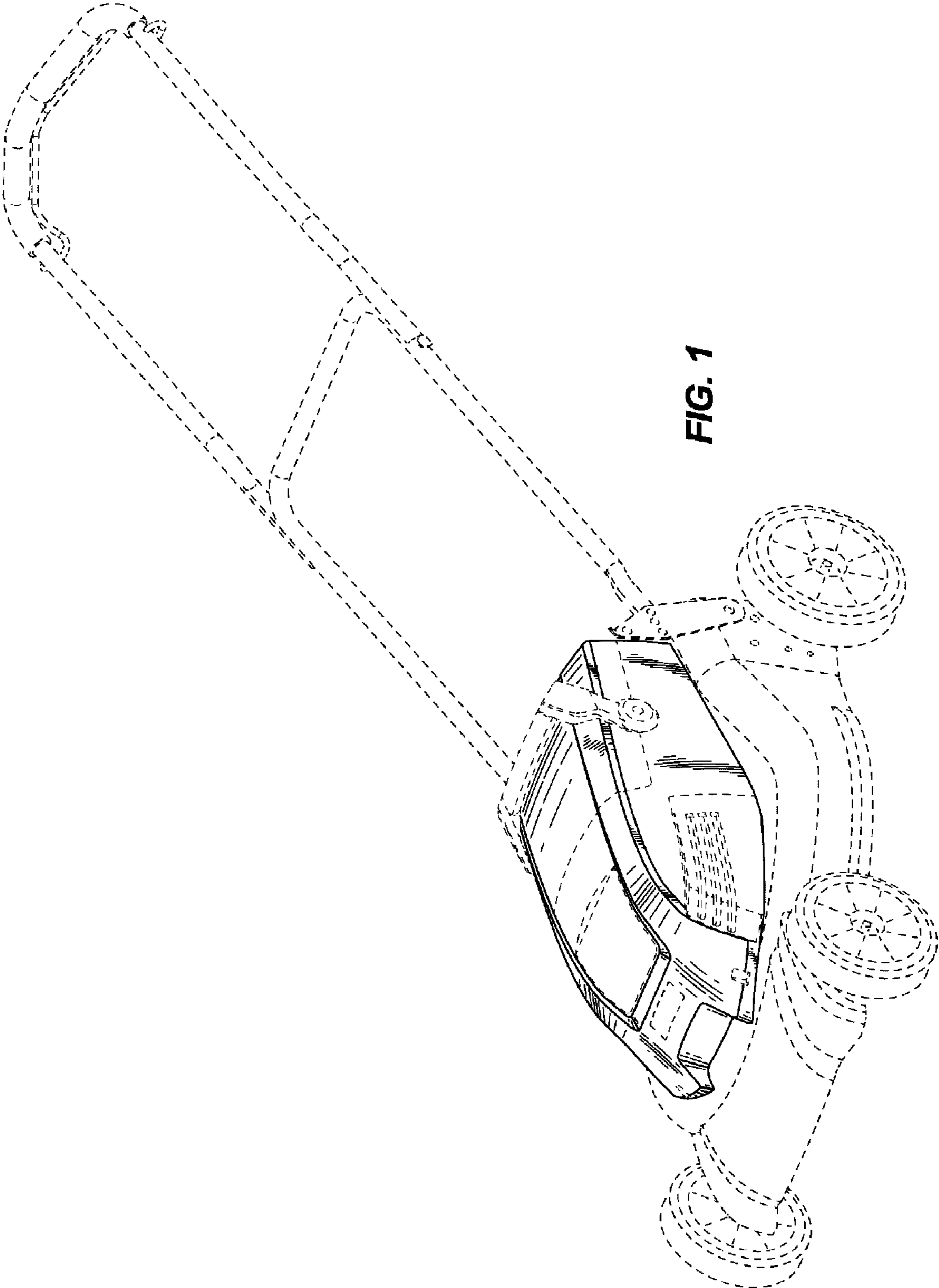


FIG. 1

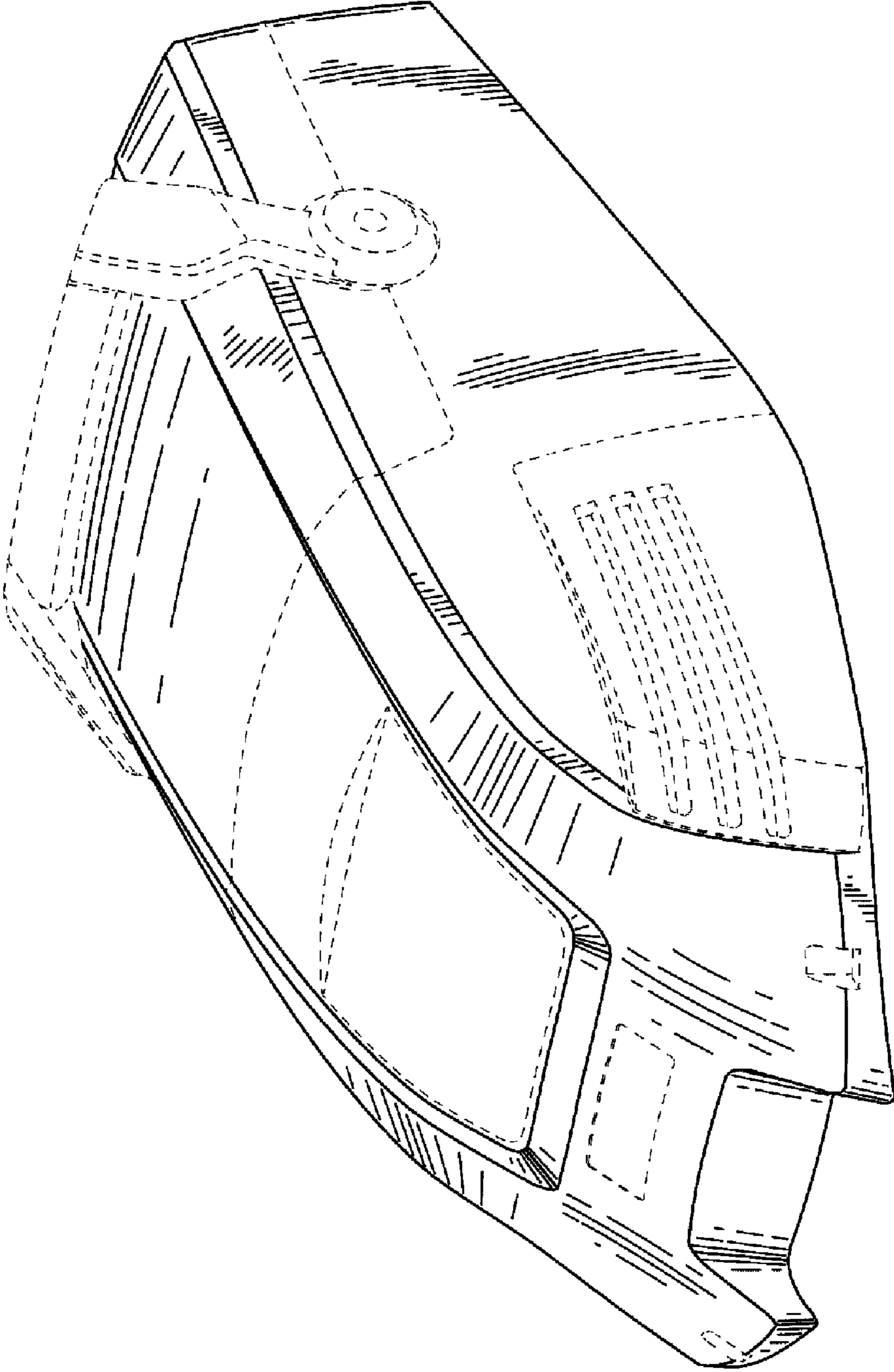


FIG. 2

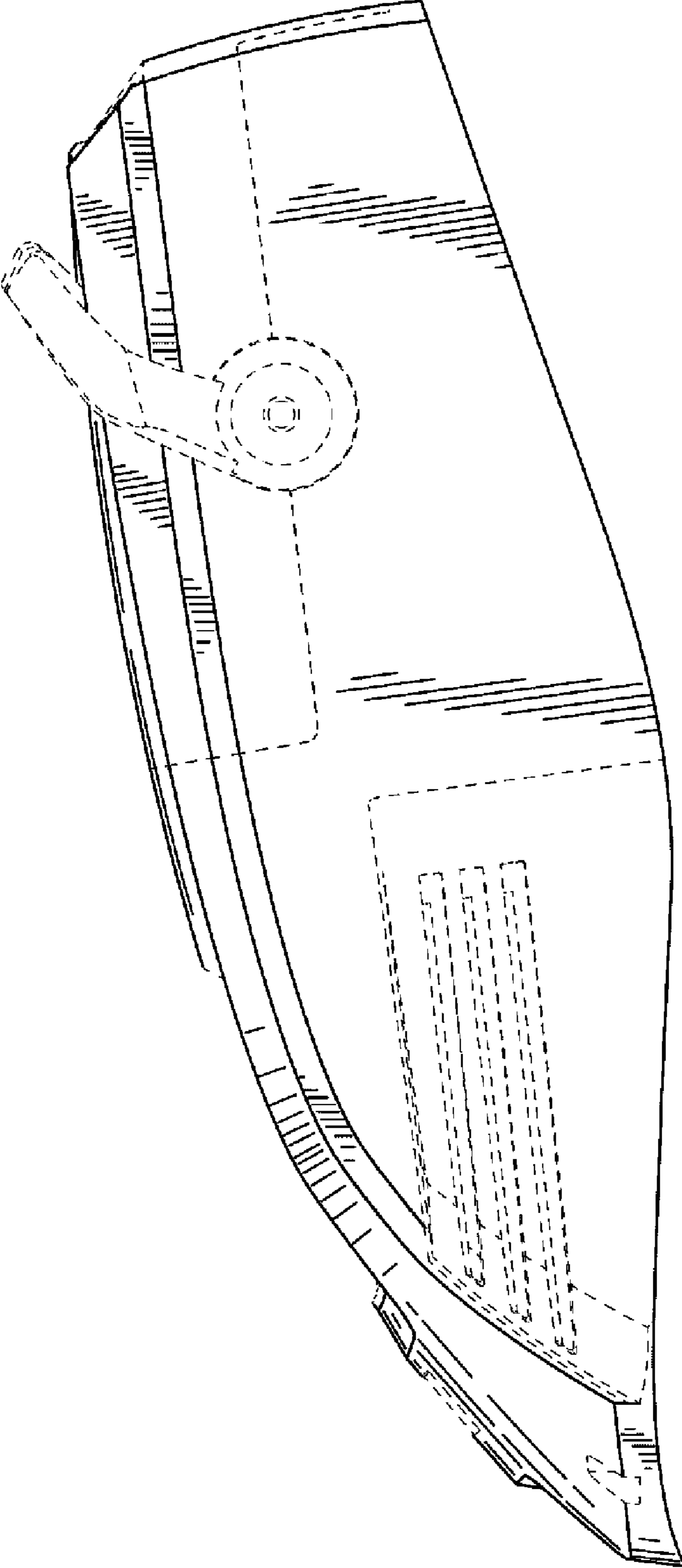


FIG. 3

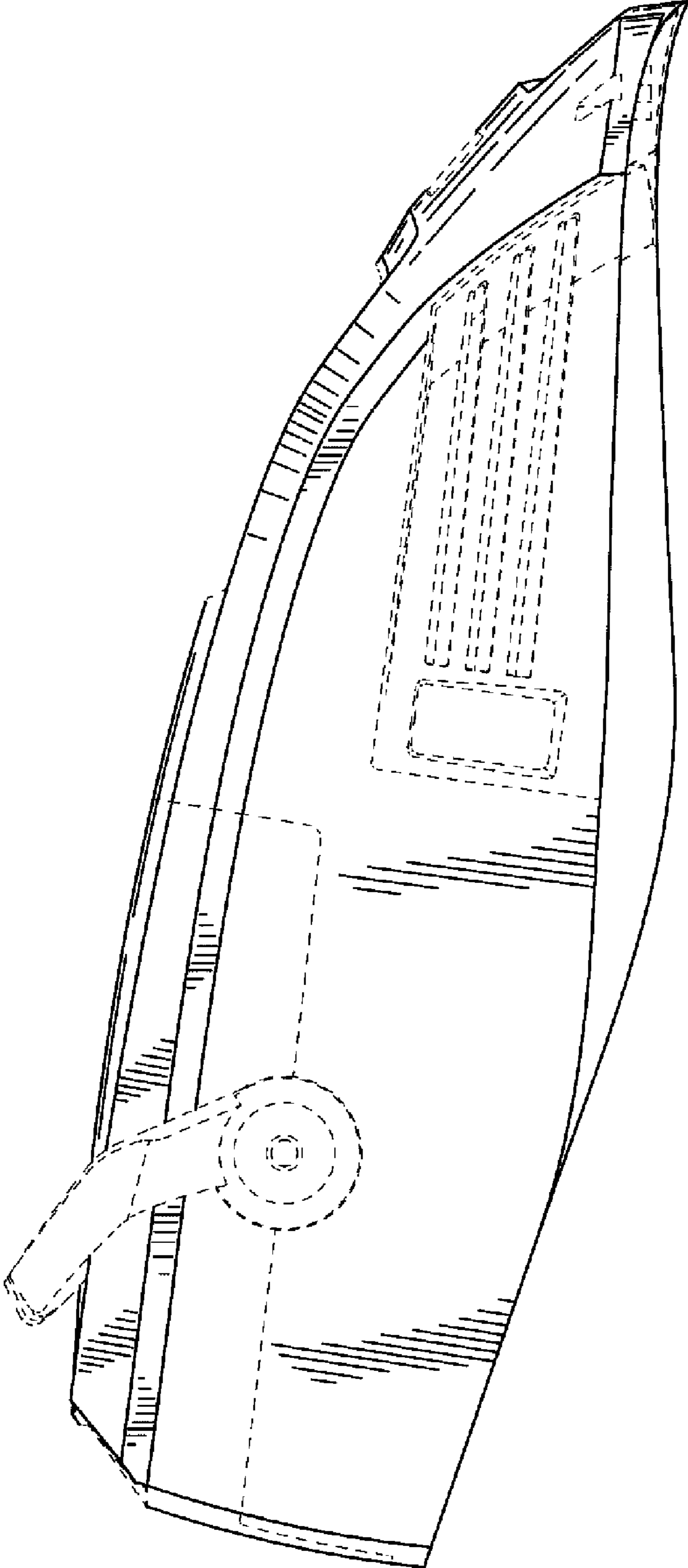


FIG. 4

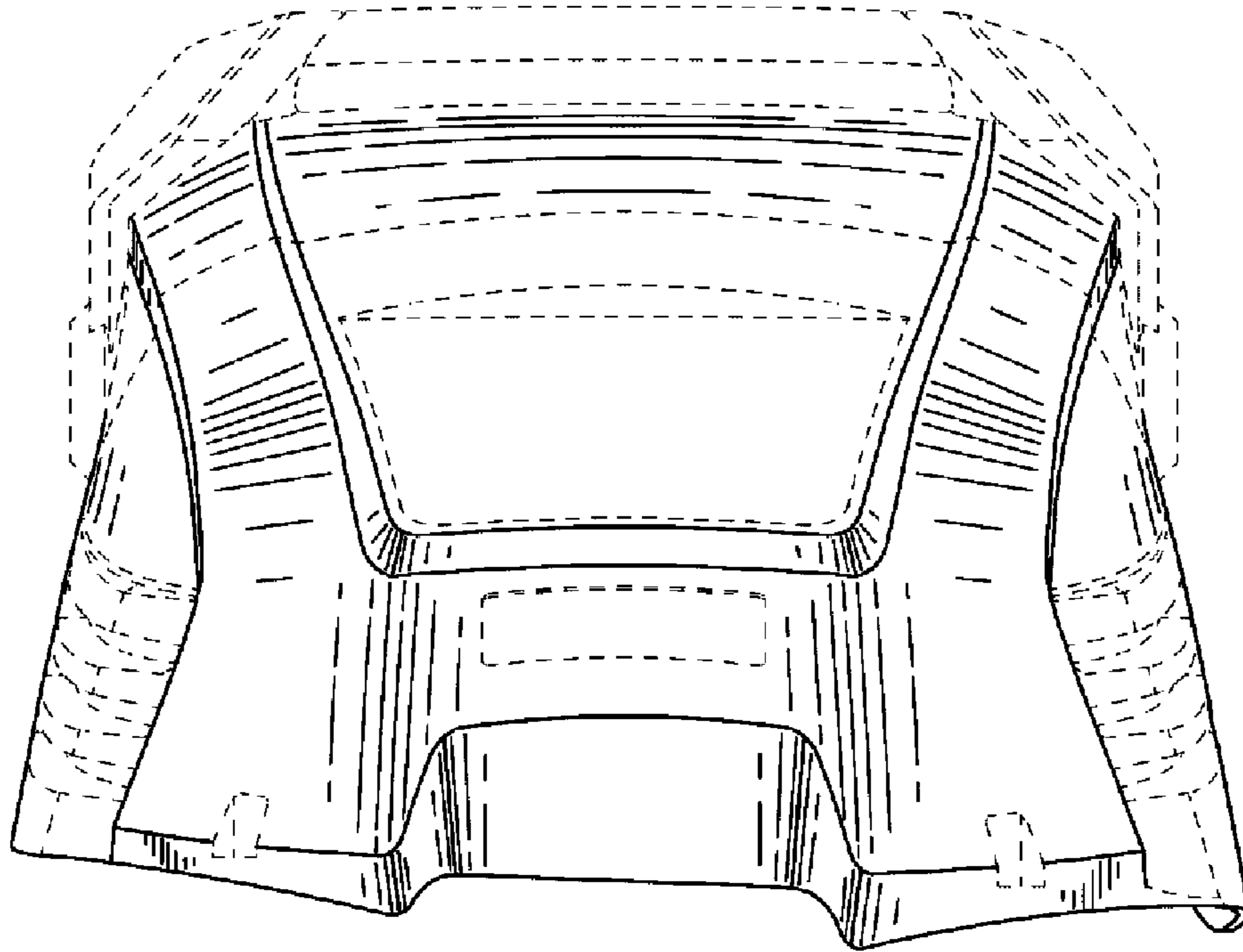


FIG. 5

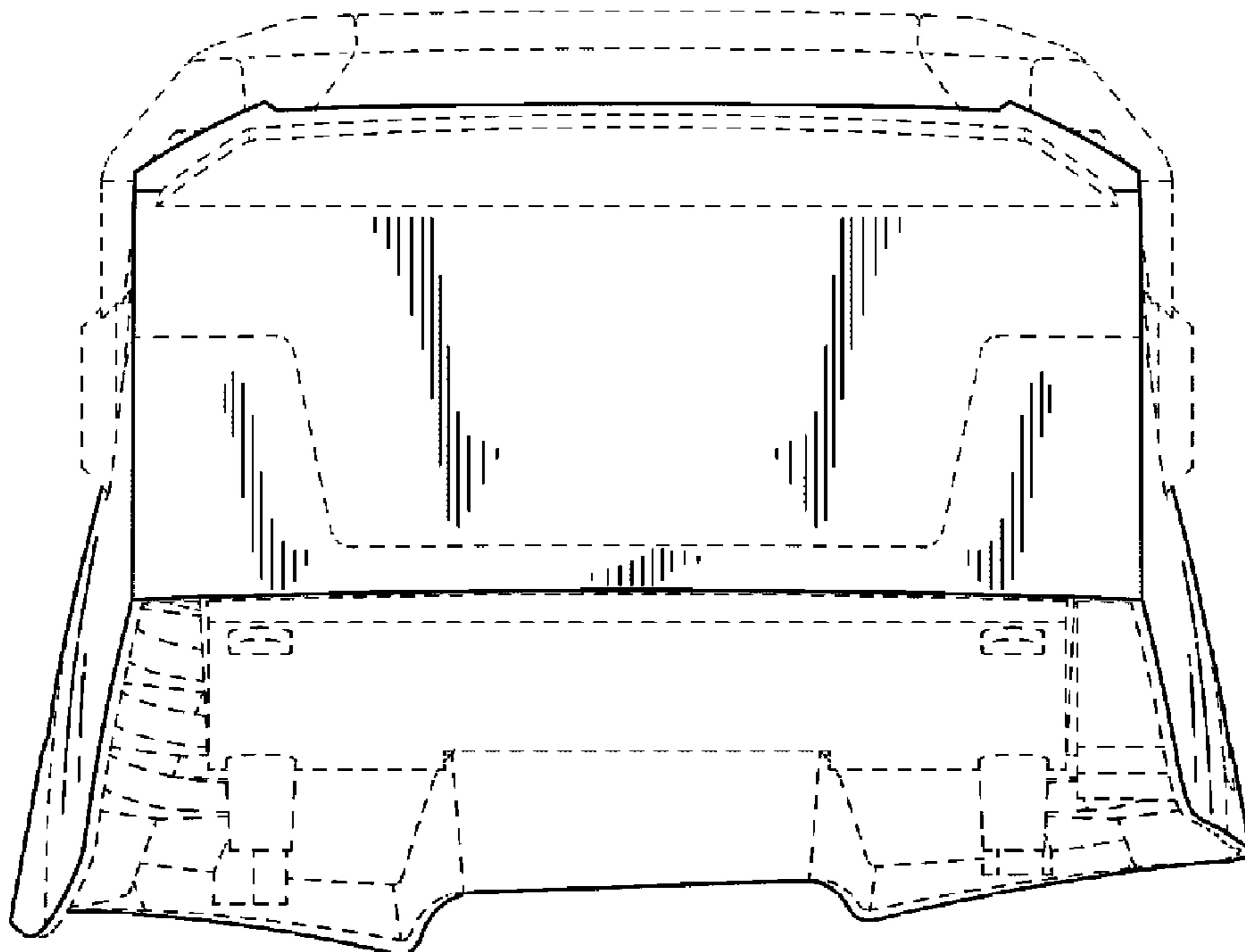


FIG. 6

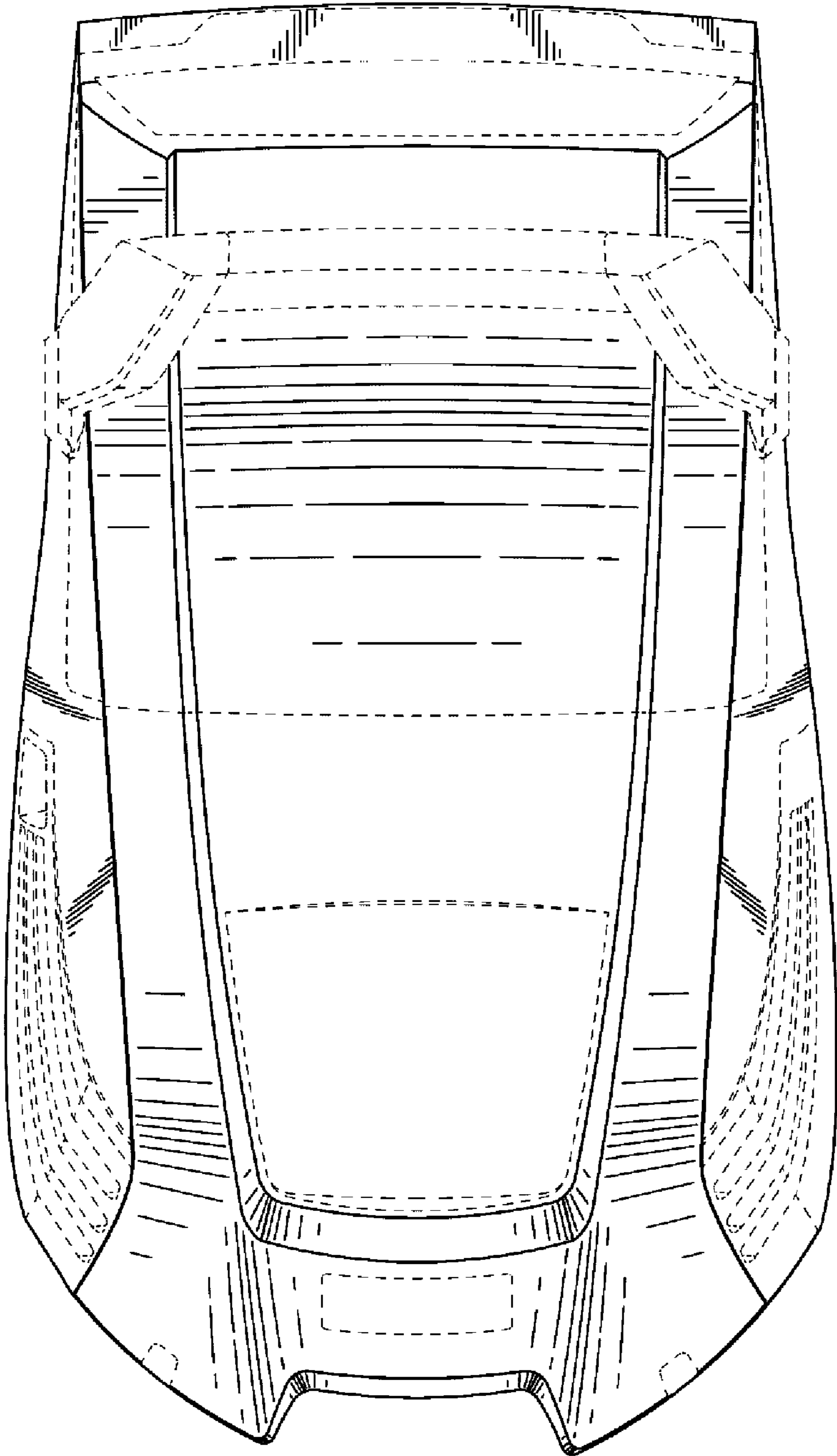


FIG. 7

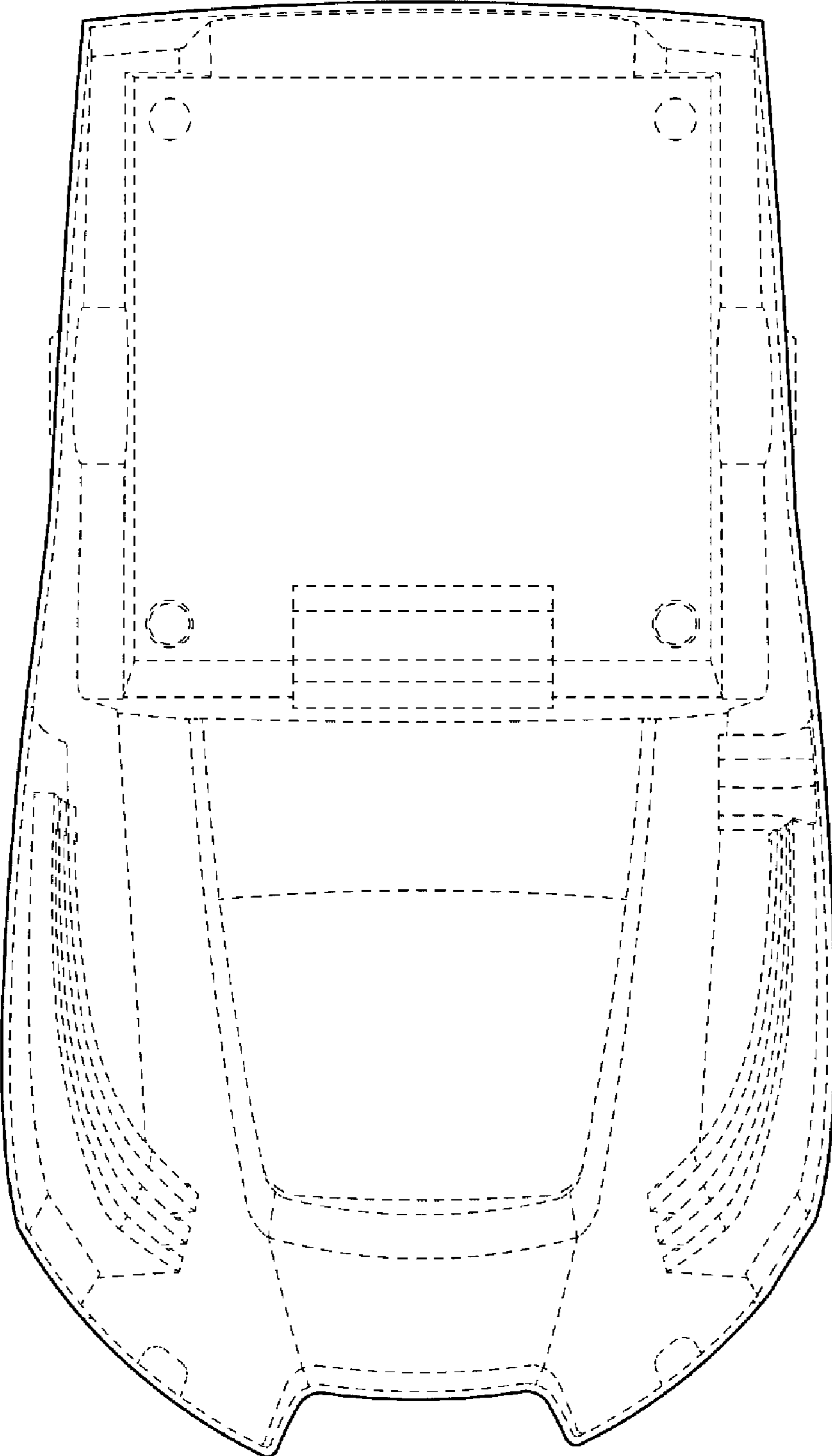


FIG. 8