

US00D649164S

(12) **United States Design Patent**  
**Cook**

(10) **Patent No.:** **US D649,164 S**

(45) **Date of Patent:** **\*\* Nov. 22, 2011**

(54) **BILGE PUMP**

(75) Inventor: **Gregory Cook**, Holliston, MA (US)

(73) Assignee: **ITT Manufacturing Enterprises, Inc.**,  
Wilmington, DE (US)

(\*\*) Term: **14 Years**

(21) Appl. No.: **29/385,718**

(22) Filed: **Feb. 18, 2011**

(51) **LOC (9) Cl.** ..... **15-02**

(52) **U.S. Cl.** ..... **D15/7**

(58) **Field of Classification Search** ..... D15/7-9;  
D23/231, 232, 225; 417/60, 235, 265, 321,  
417/355, 358, 363, 359, 410.1, 415-416,  
417/405, 900; 60/408, 412; 184/26-37;  
415/140-147; 123/495, 509

See application file for complete search history.

(56) **References Cited**

**U.S. PATENT DOCUMENTS**

- D328,602 S \* 8/1992 Peterson ..... D15/7
- D339,143 S \* 9/1993 Whitley, II ..... D15/7
- D445,804 S \* 7/2001 Tsai ..... D15/7
- D507,579 S \* 7/2005 Rossman et al. .... D15/7

- D541,818 S \* 5/2007 Rhea et al. .... D15/7
- D551,681 S \* 9/2007 Rhea et al. .... D15/9
- D601,590 S \* 10/2009 Burnham ..... D15/7

\* cited by examiner

*Primary Examiner* — Ralf Seifert

(57) **CLAIM**

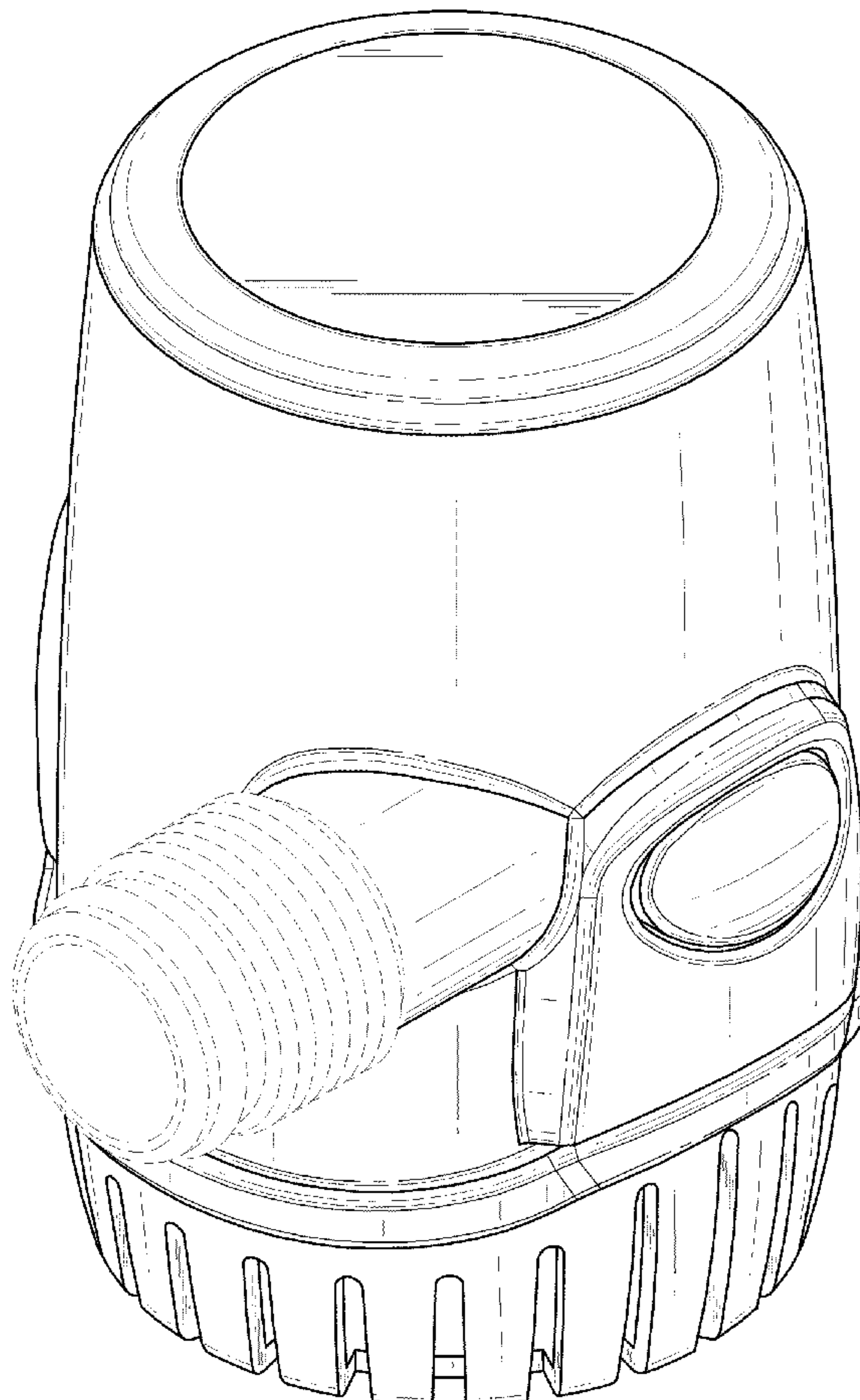
I claim the ornamental design of a bilge pump, as shown and described herein.

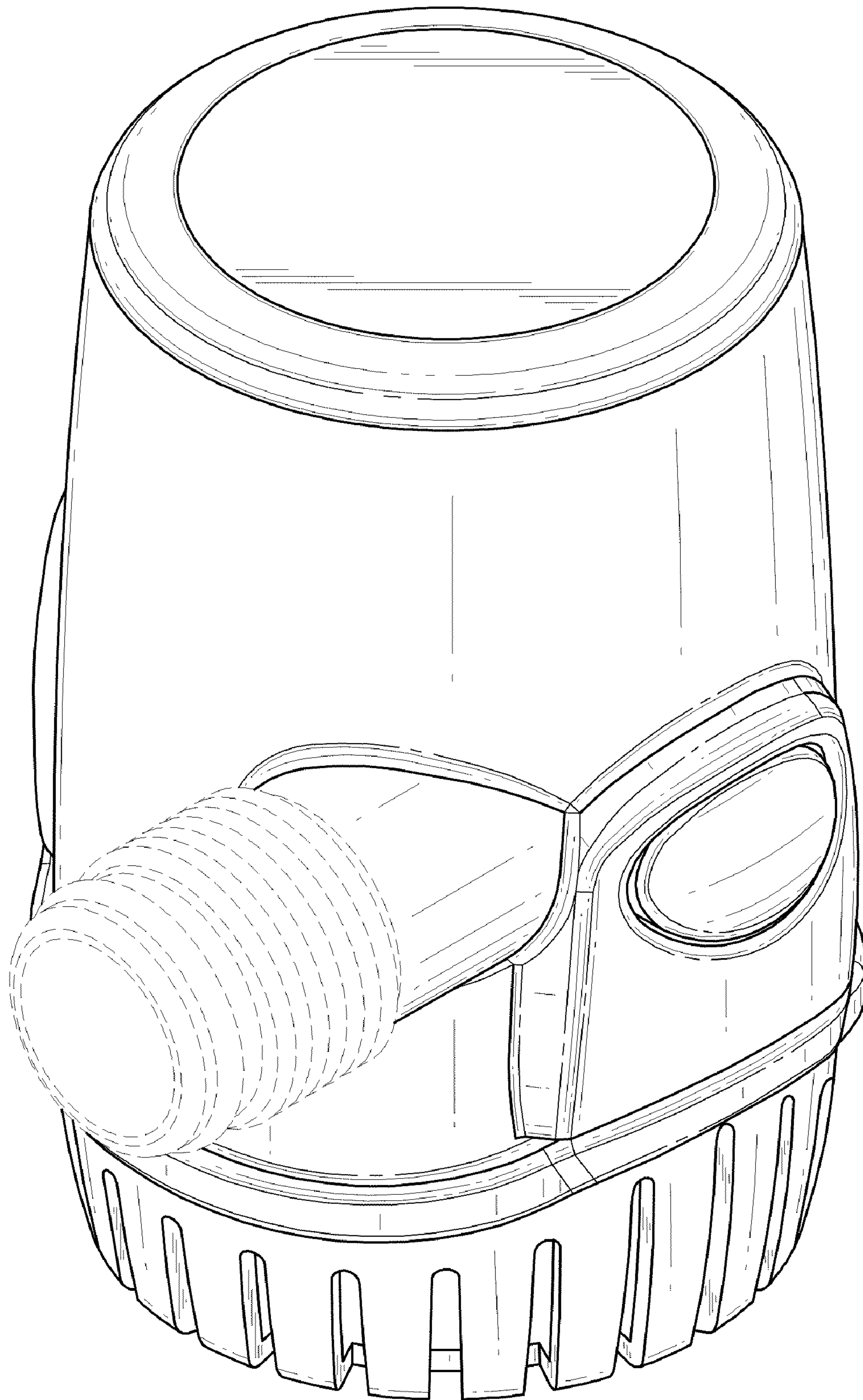
**DESCRIPTION**

FIG. 1 is a top perspective view of a bilge pump showing my new design;  
 FIG. 2 is a bottom perspective view;  
 FIG. 3 is a top view;  
 FIG. 4 is a bottom view;  
 FIG. 5 is a back view;  
 FIG. 6 is a front view;  
 FIG. 7 is a side view; and,  
 FIG. 8 is a side view of the side opposite that shown in FIG. 7.

The broken line showing in FIGS. 1-4, 6 and 7 is included for the purpose of illustrating environmental matter and forms no part of the claimed design.

**1 Claim, 8 Drawing Sheets**





*FIG. 1*

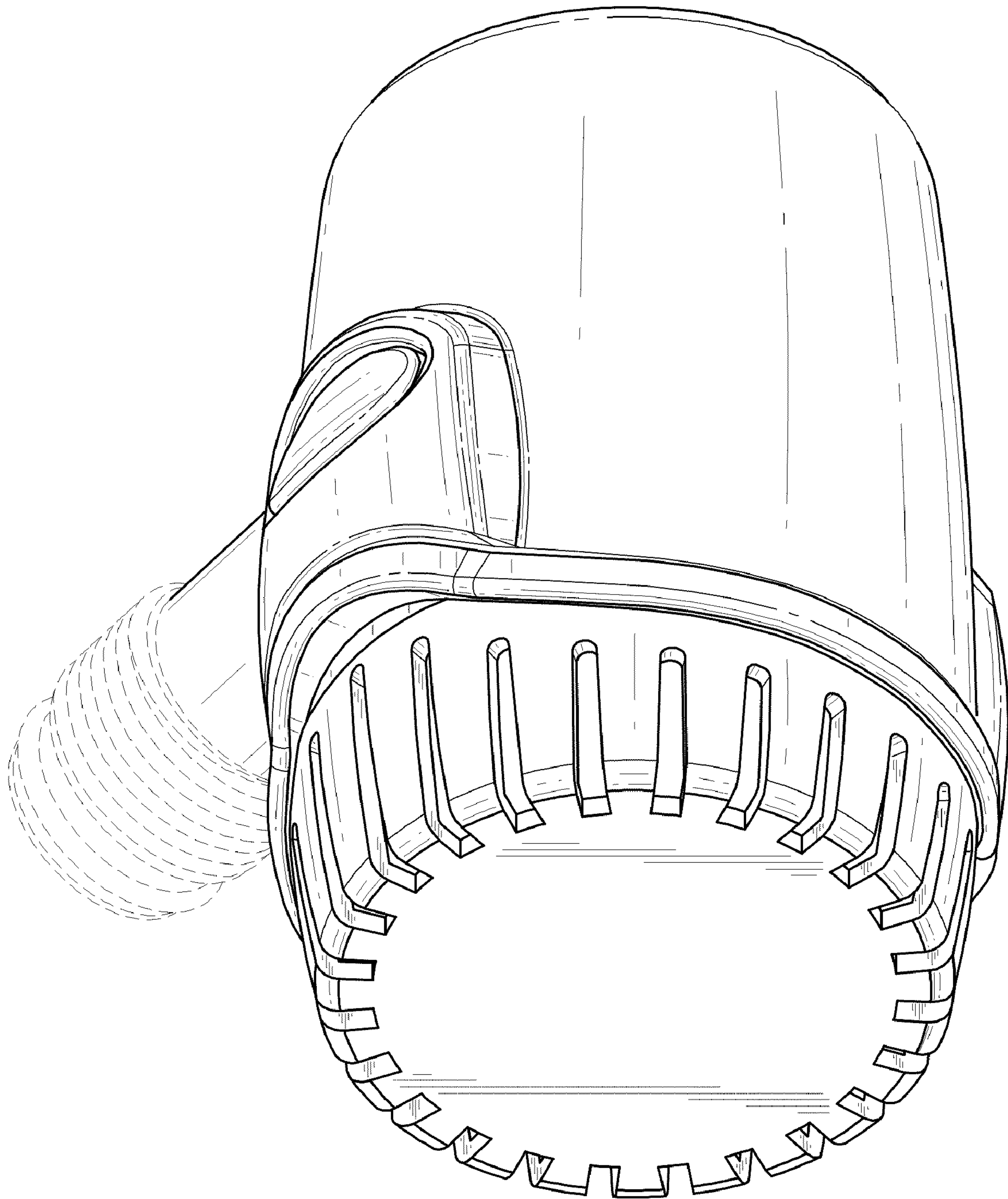


FIG. 2



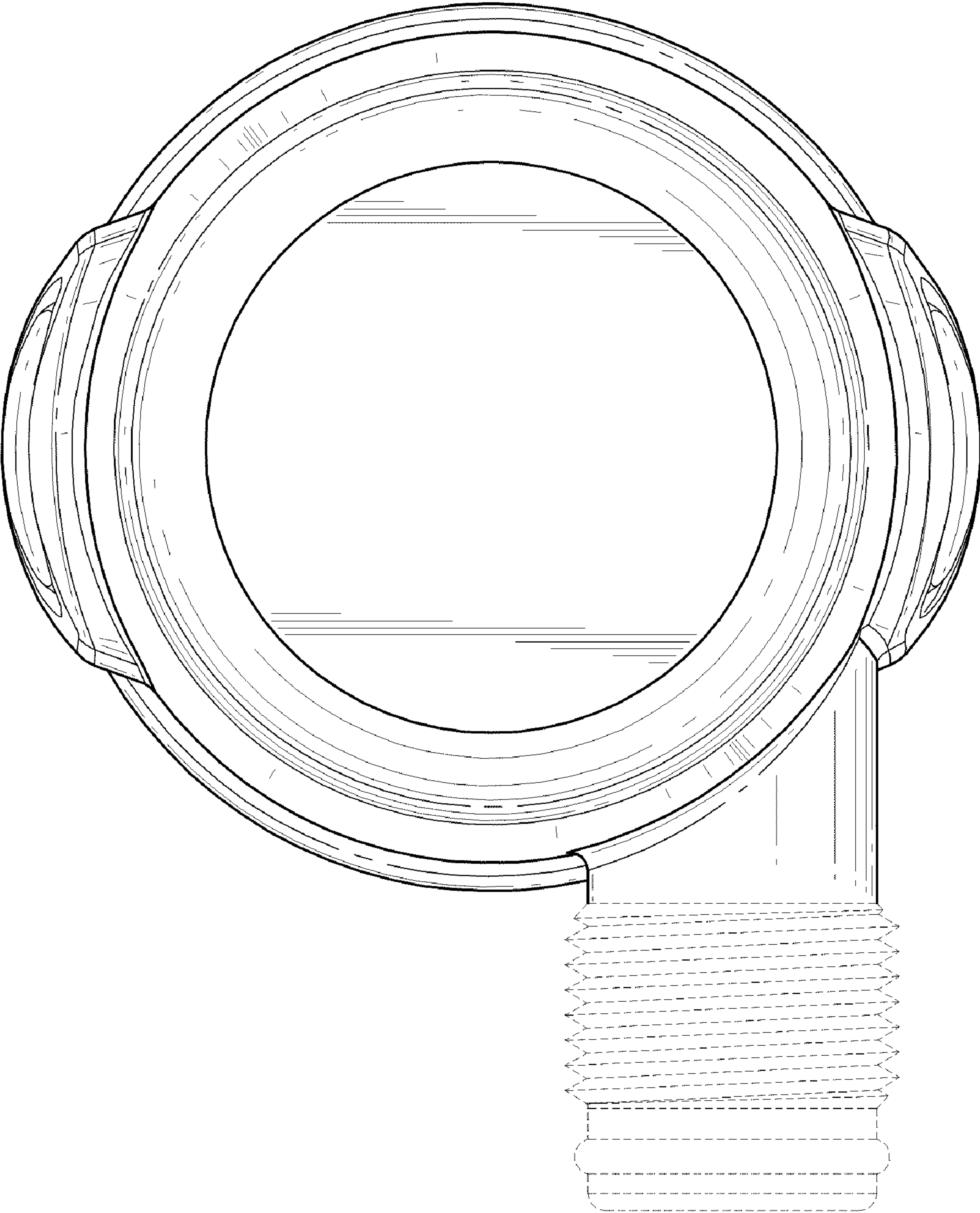


FIG. 3

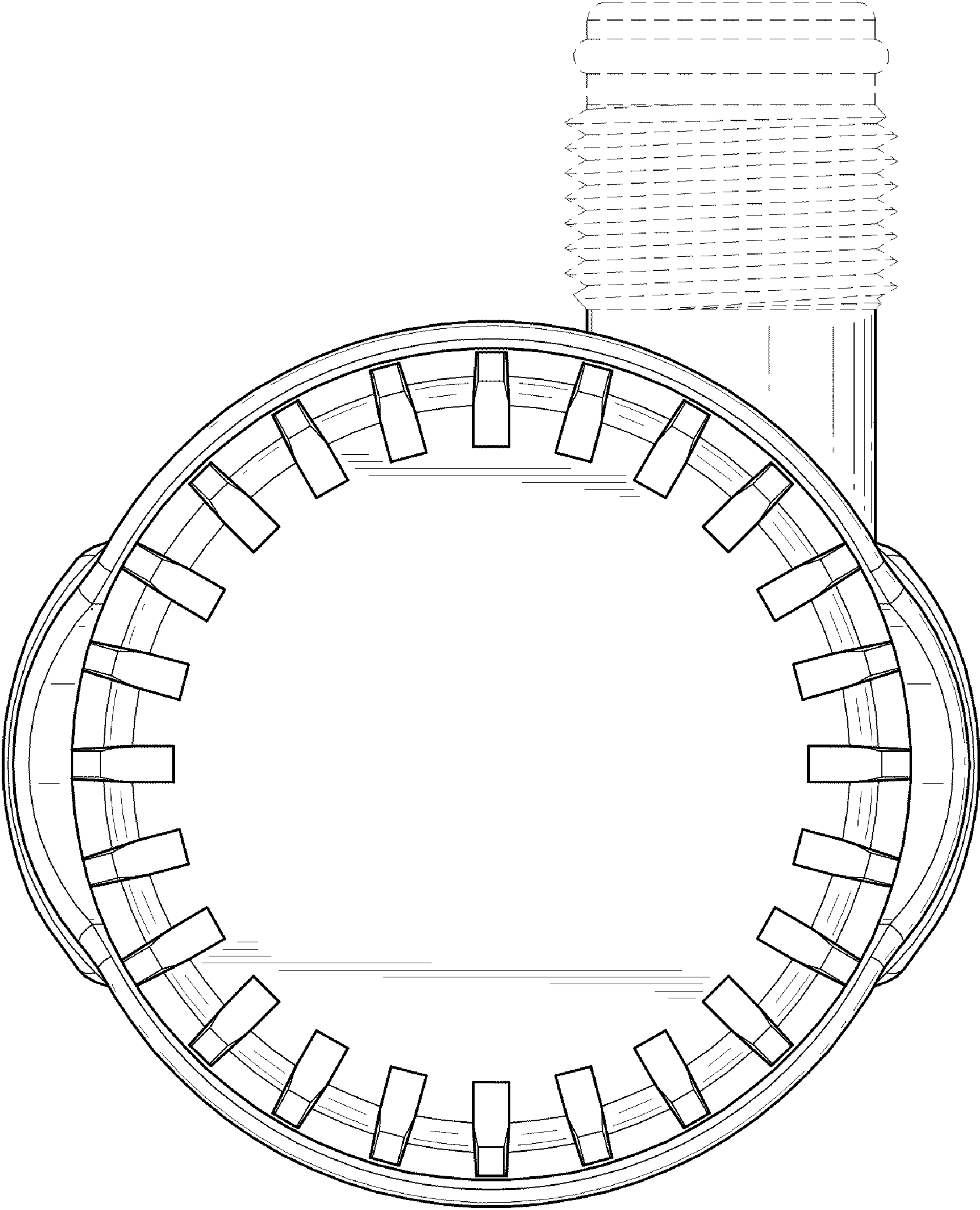
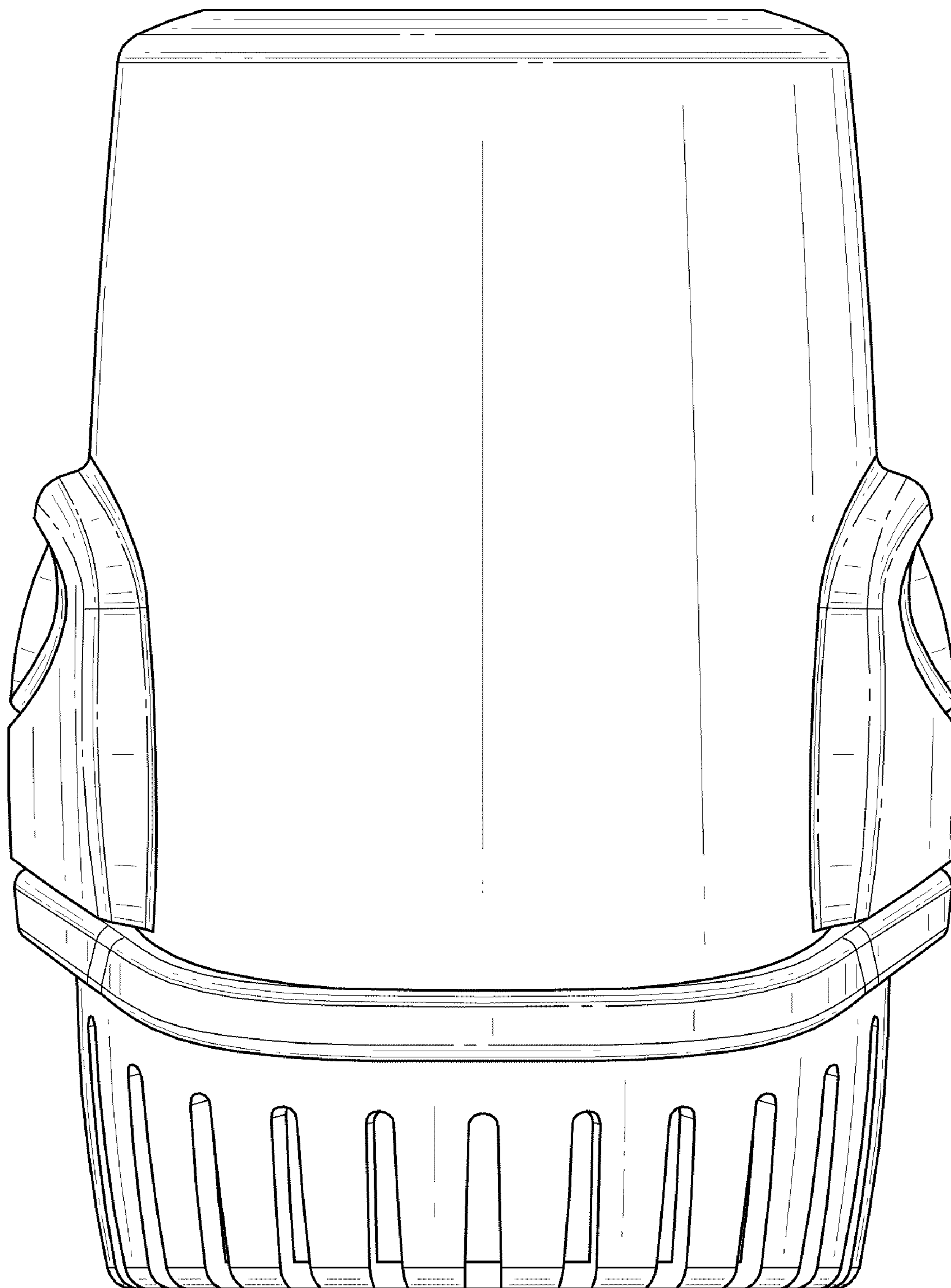
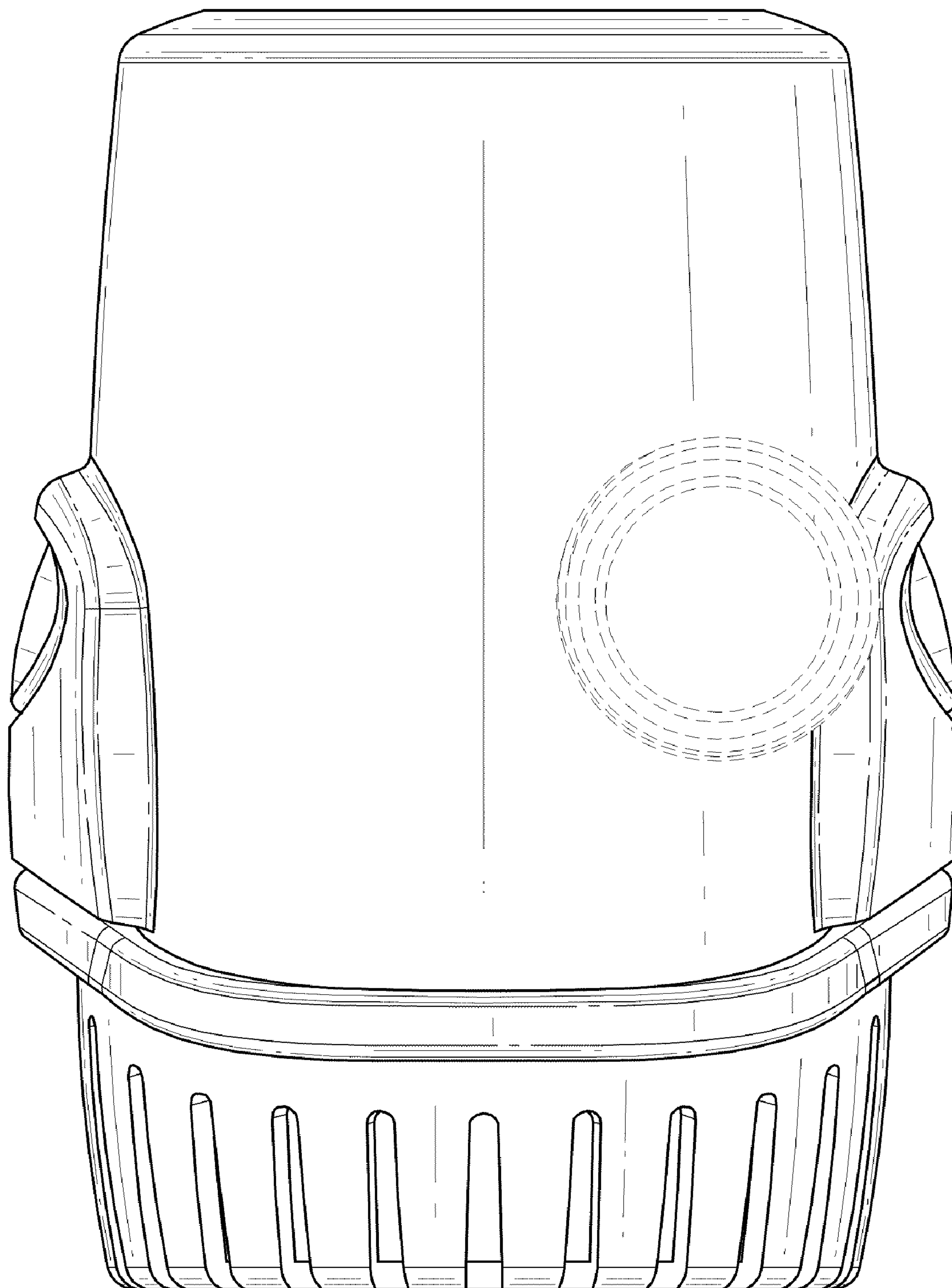


FIG. 4



*FIG. 5*



*FIG. 6*



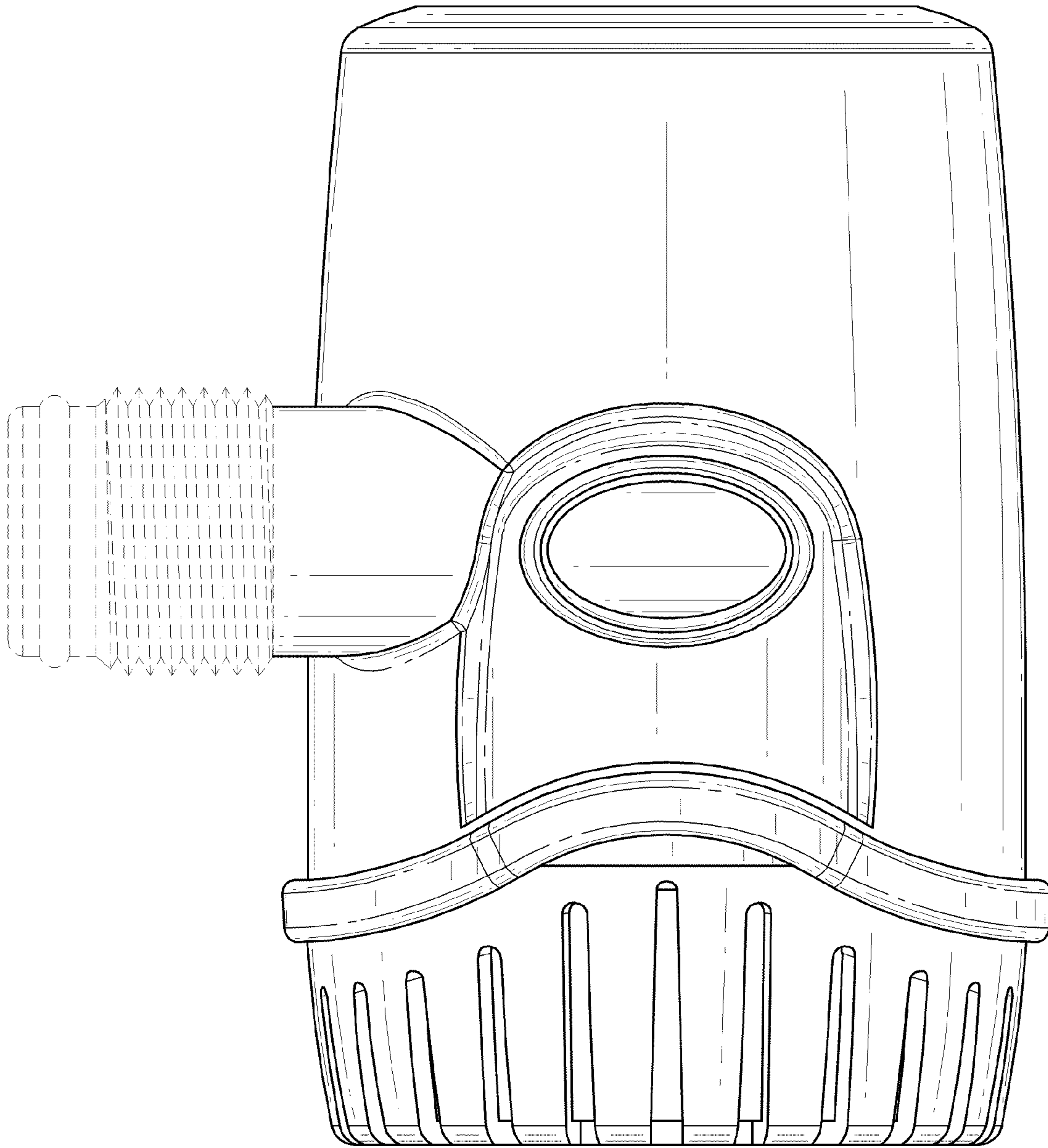


FIG. 7



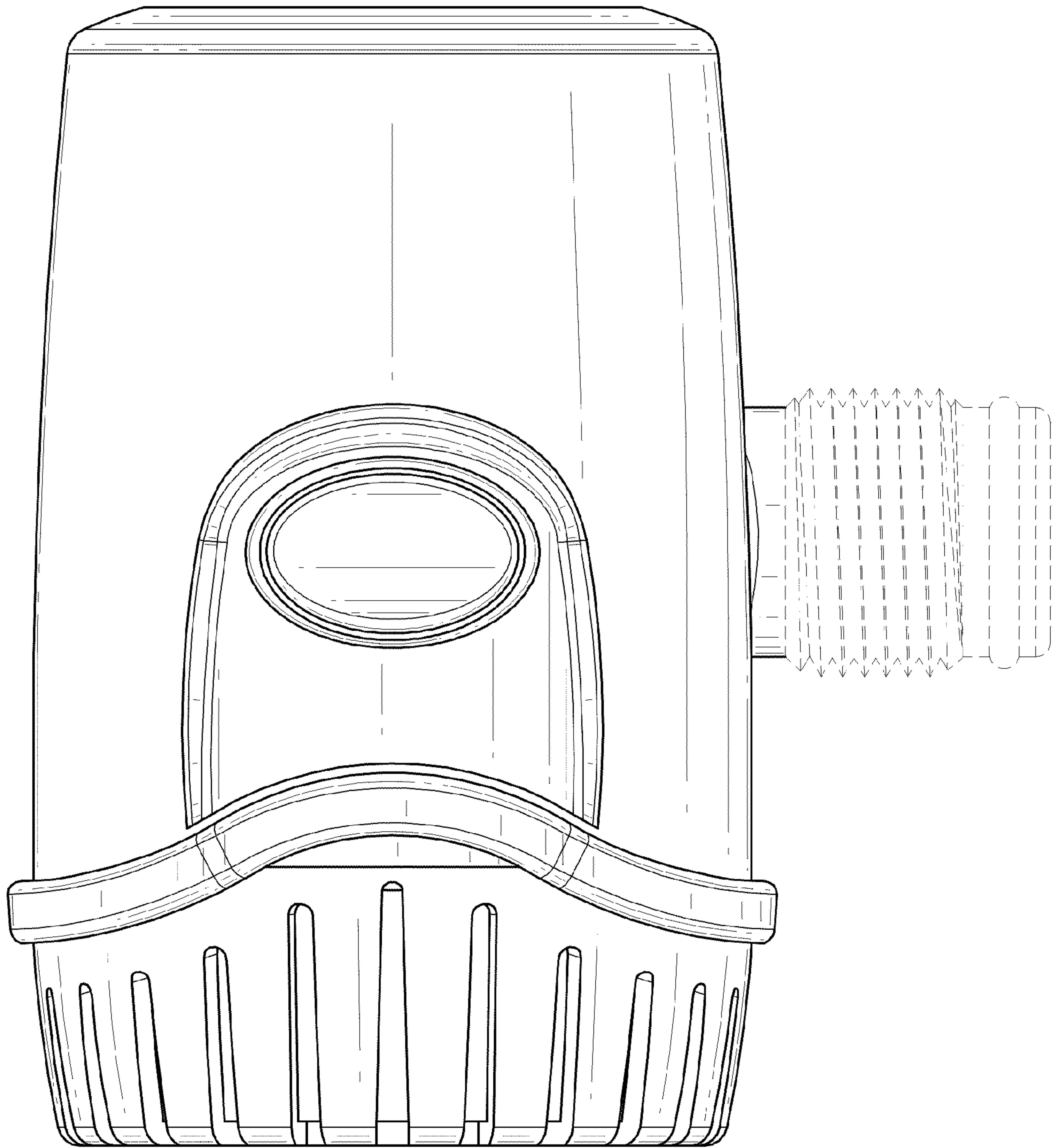


FIG. 8