

US00D649163S

(12) **United States Design Patent**  
**Moormann et al.**

(10) **Patent No.:** **US D649,163 S**

(45) **Date of Patent:** **\*\* Nov. 22, 2011**

(54) **PORTABLE BILGE PUMP**

(75) Inventors: **Randall H. Moormann**, Georgetown, MA (US); **Rick Burnham**, Gloucester, MA (US); **Gregory Cook**, Holliston, MA (US)

(73) Assignee: **ITT Manufacturing Enterprises, Inc.**, Wilmington, DE (US)

(\*\*) Term: **14 Years**

(21) Appl. No.: **29/385,571**

(22) Filed: **Feb. 16, 2011**

(51) **LOC (9) Cl.** ..... **15-02**

(52) **U.S. Cl.** ..... **D15/7**

(58) **Field of Classification Search** ..... D15/7-9;  
D23/231, 232, 225; 417/60, 235, 265, 321,  
417/355, 358, 363, 359, 410.1, 415-416,  
417/405, 900; 60/408, 412; 184/26-37;  
415/140-147; 123/495, 509

See application file for complete search history.

(56) **References Cited**

**U.S. PATENT DOCUMENTS**

2,503,287	A	4/1950	Moore	
3,780,245	A	12/1973	Beddow	
D277,675	S *	2/1985	Hung	D15/9
5,094,591	A	3/1992	Whitley, II et al.	
5,388,748	A	2/1995	Davignon et al.	
5,557,810	A	9/1996	Antos et al.	
5,662,505	A	9/1997	Spriggs	
D390,236	S *	2/1998	Ashcraft	D15/9
D390,574	S *	2/1998	Ashcraft	D15/9
5,734,254	A	3/1998	Stephens	
5,996,977	A	12/1999	Burgess	
6,085,364	A	7/2000	Baierlein	
6,551,123	B1	4/2003	Schaeffeler et al.	
6,582,259	B1	6/2003	Mansson et al.	
6,712,654	B1	3/2004	Putansuu	
D499,117	S *	11/2004	Leasure et al.	D15/9

6,811,099	B2	11/2004	Krestine et al.	
6,994,576	B2	2/2006	Tanaka et al.	
D578,851	S *	10/2008	Huang	D8/60
D609,634	S *	2/2010	Daniels et al.	D13/107
2004/0189245	A1	9/2004	Teraoka et al.	
2005/0244287	A1	11/2005	Dobrynski	
2006/0269426	A1	11/2006	Llewellyn	
2007/0169980	A1	7/2007	Weeramantry et al.	
2008/0044295	A1	2/2008	Goliat	
2008/0226476	A1	9/2008	Lau	
2008/0265844	A1	10/2008	Smith et al.	
2009/0050042	A1	2/2009	Waldecker	

**FOREIGN PATENT DOCUMENTS**

CA 2538068 8/2007

(Continued)

**OTHER PUBLICATIONS**

English language abstract of JP2006269292 (1 page).

English language abstract of TWI235516 (3 pages).

*Primary Examiner* — Ralf Seifert

(57) **CLAIM**

We claim the ornamental design of a portable bilge pump, as shown and described herein.

**DESCRIPTION**

FIG. 1 is a top perspective view of a portable bilge pump showing our new design;

FIG. 2 is a side view;

FIG. 3 is a side view as viewed from the side opposite that shown in FIG. 2;

FIG. 4 is a front view;

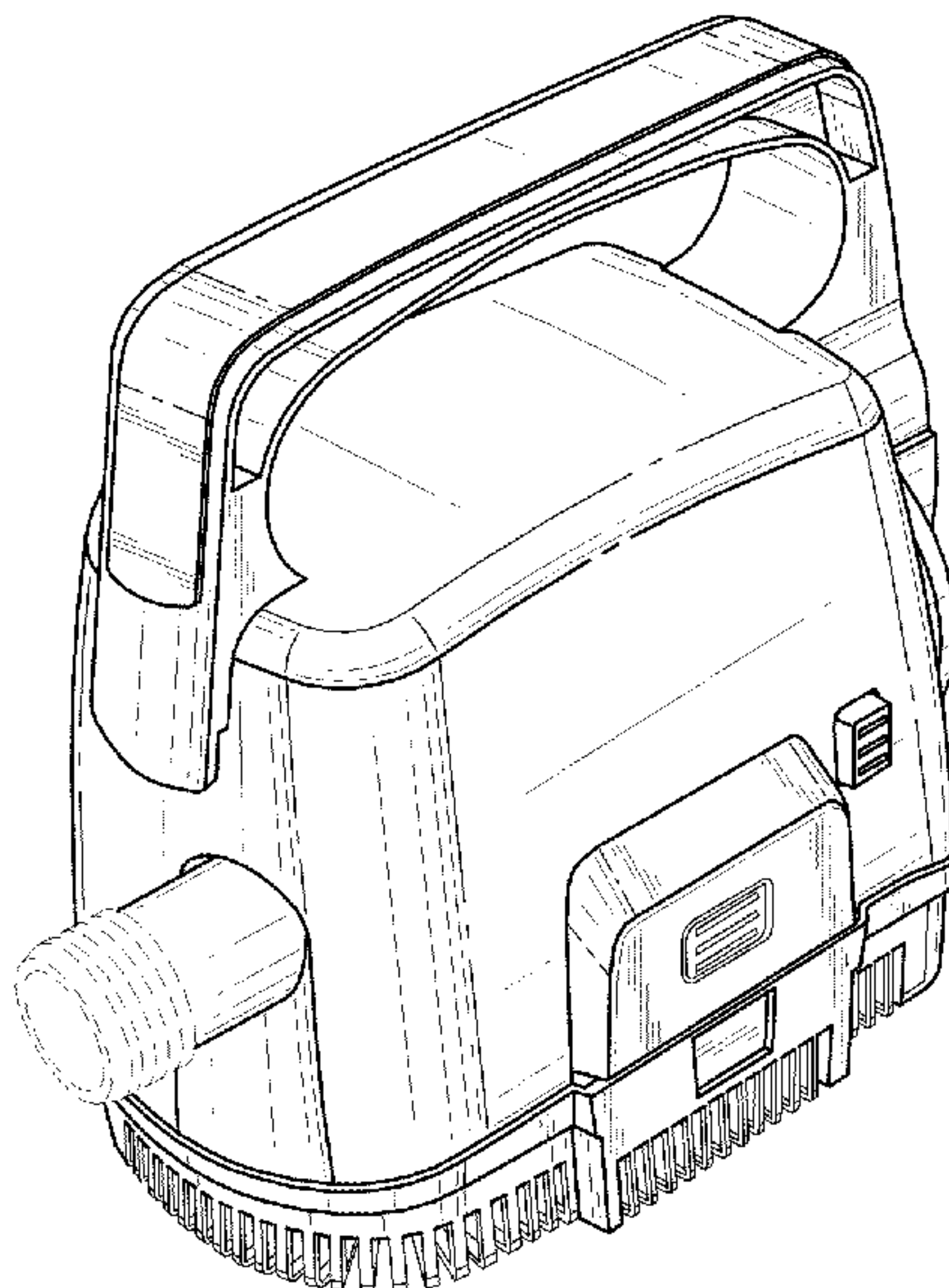
FIG. 5 is a back view;

FIG. 6 is a top view; and,

FIG. 7 is a bottom view.

The broken line showing of elements in FIGS. 5-7 is included for the purpose of illustrating environmental matter and forms no part of the claimed design.

**1 Claim, 3 Drawing Sheets**



# US D649,163 S

Page 2

---

FOREIGN PATENT DOCUMENTS					
GB	2400759	10/2004	WO	2005099043	10/2005
JP	2006269292	10/2006	WO	2008036418	3/2008
TW	I235516	7/2005	WO	2008057386	5/2008
			* cited by examiner		

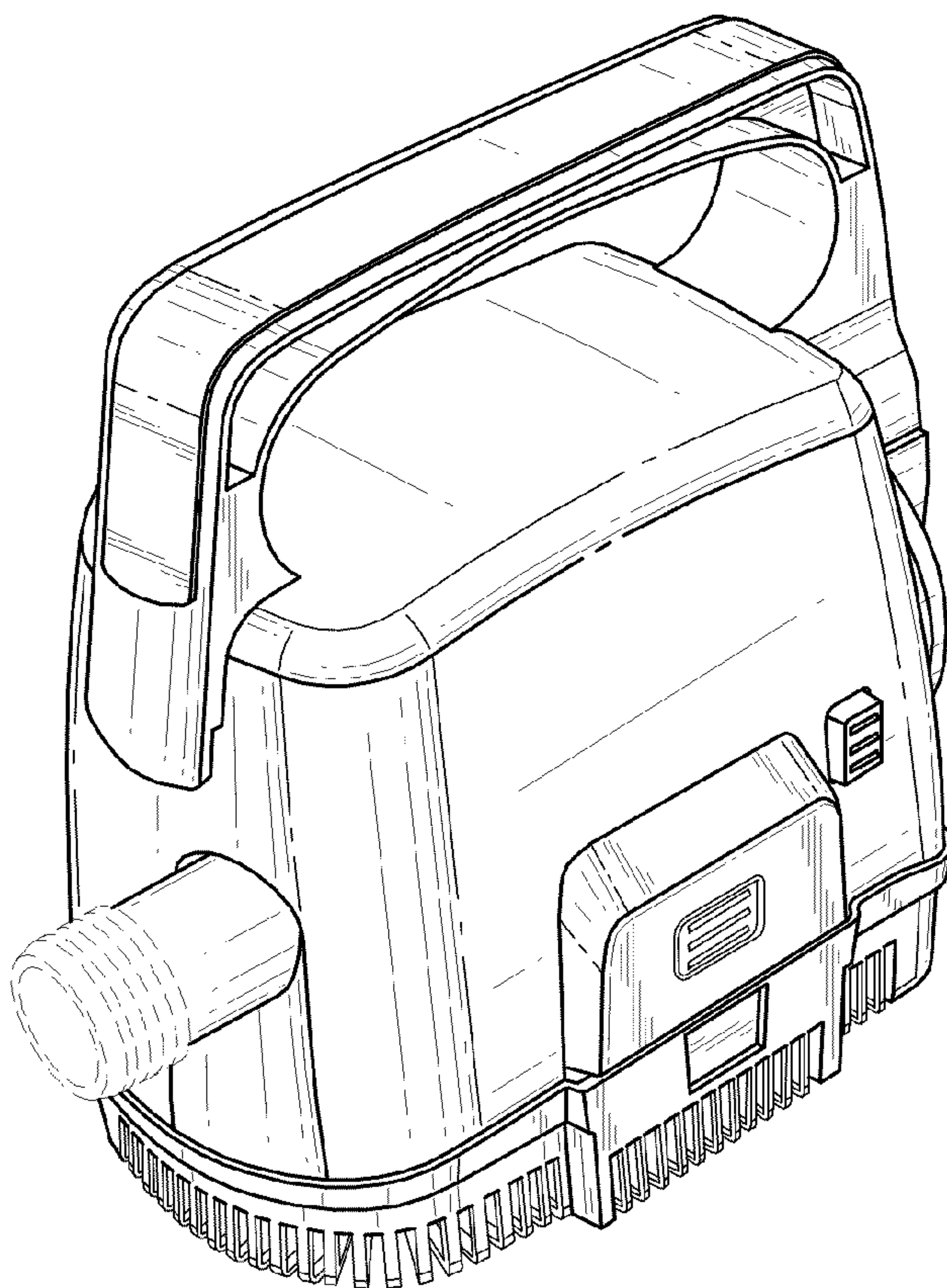


FIG. 1

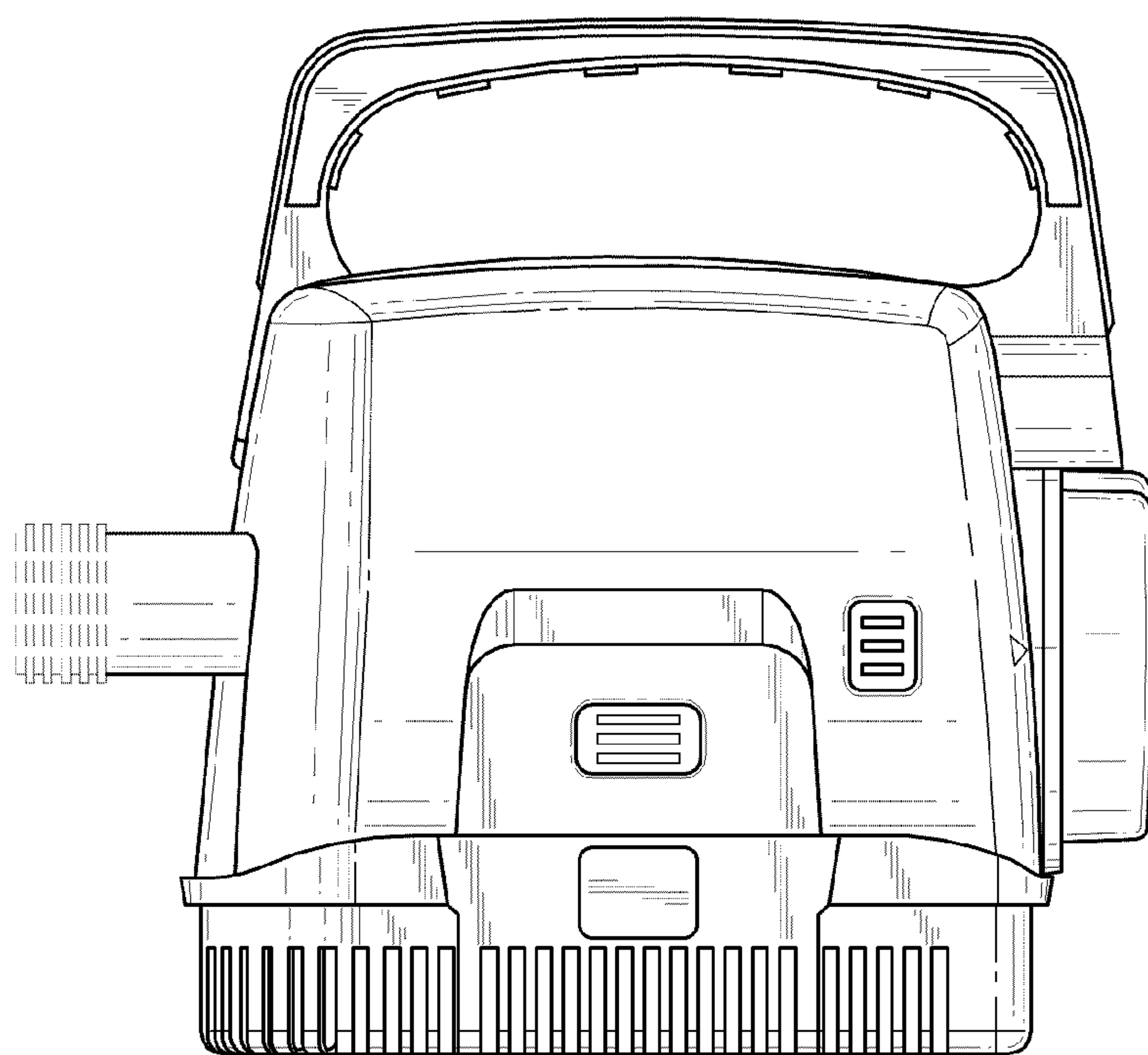


FIG. 2

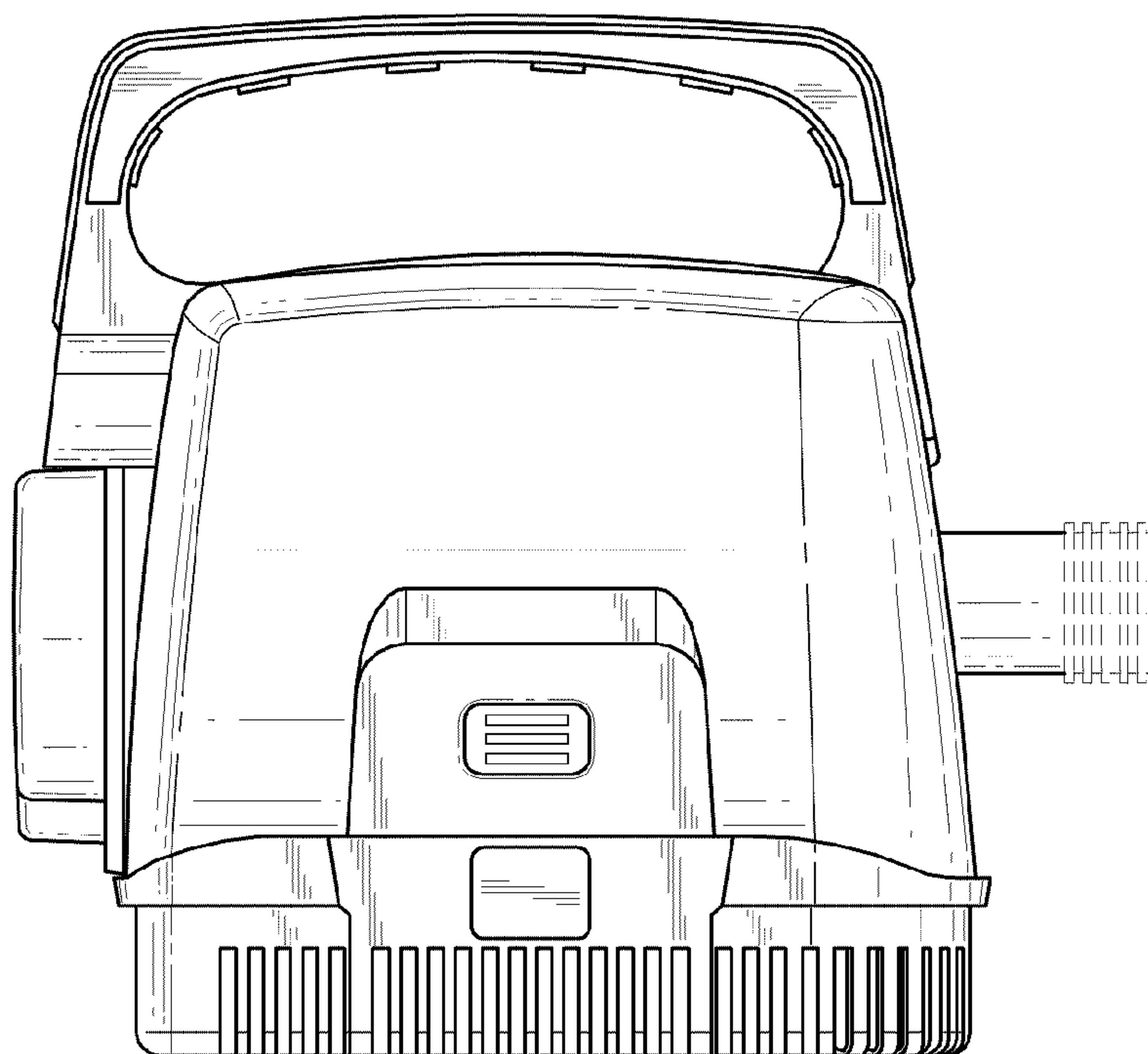


FIG. 3

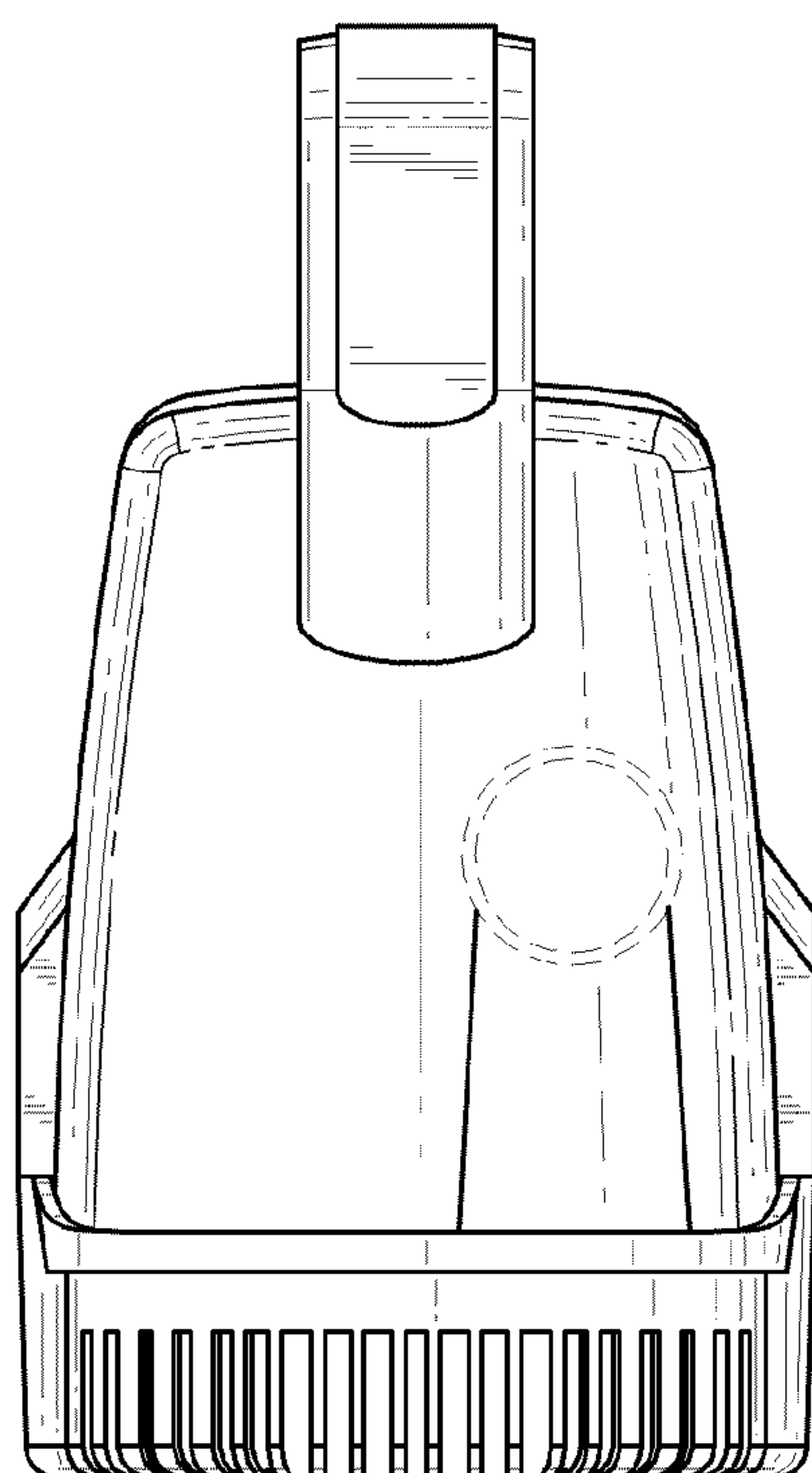


FIG. 4

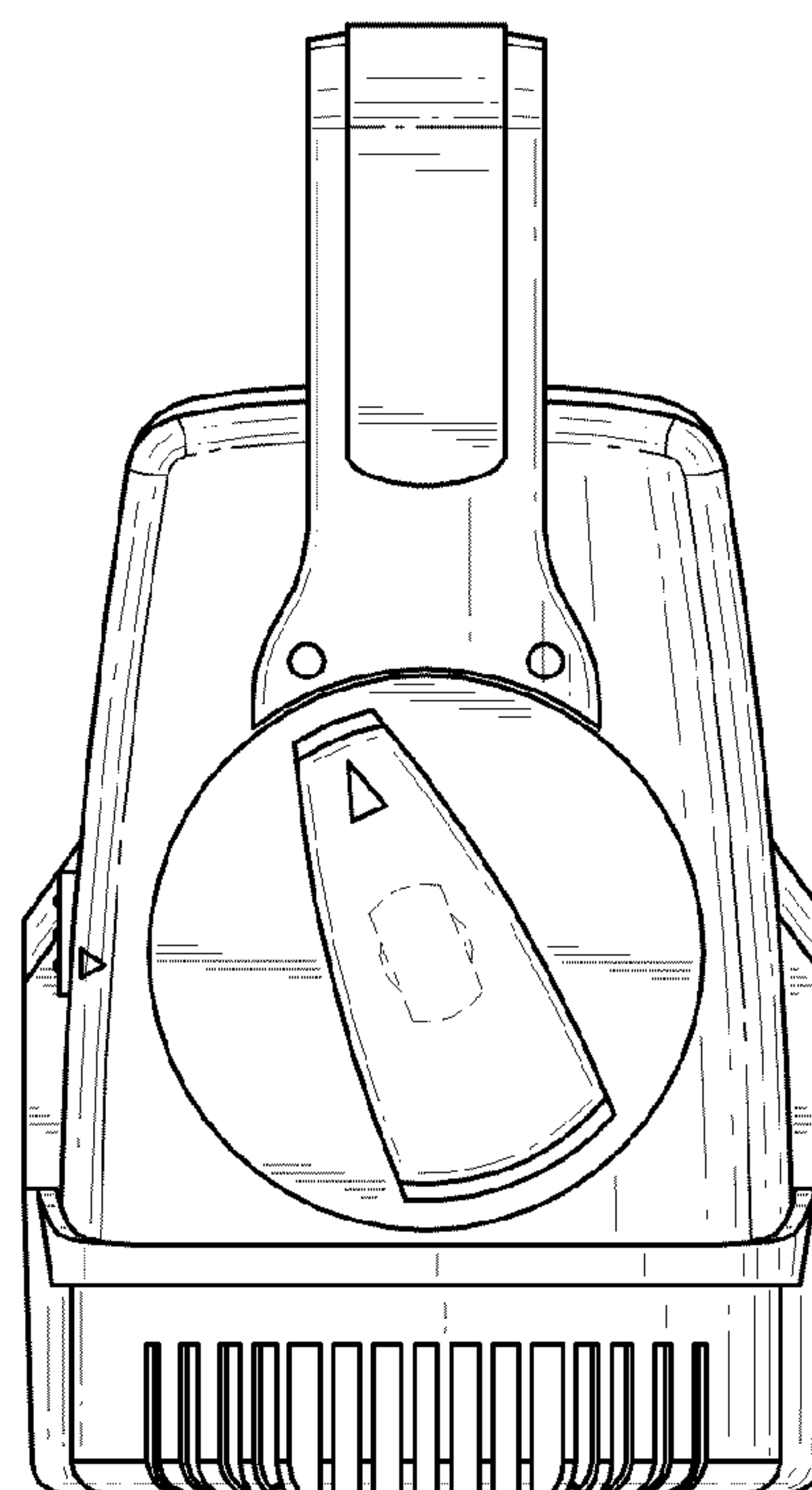
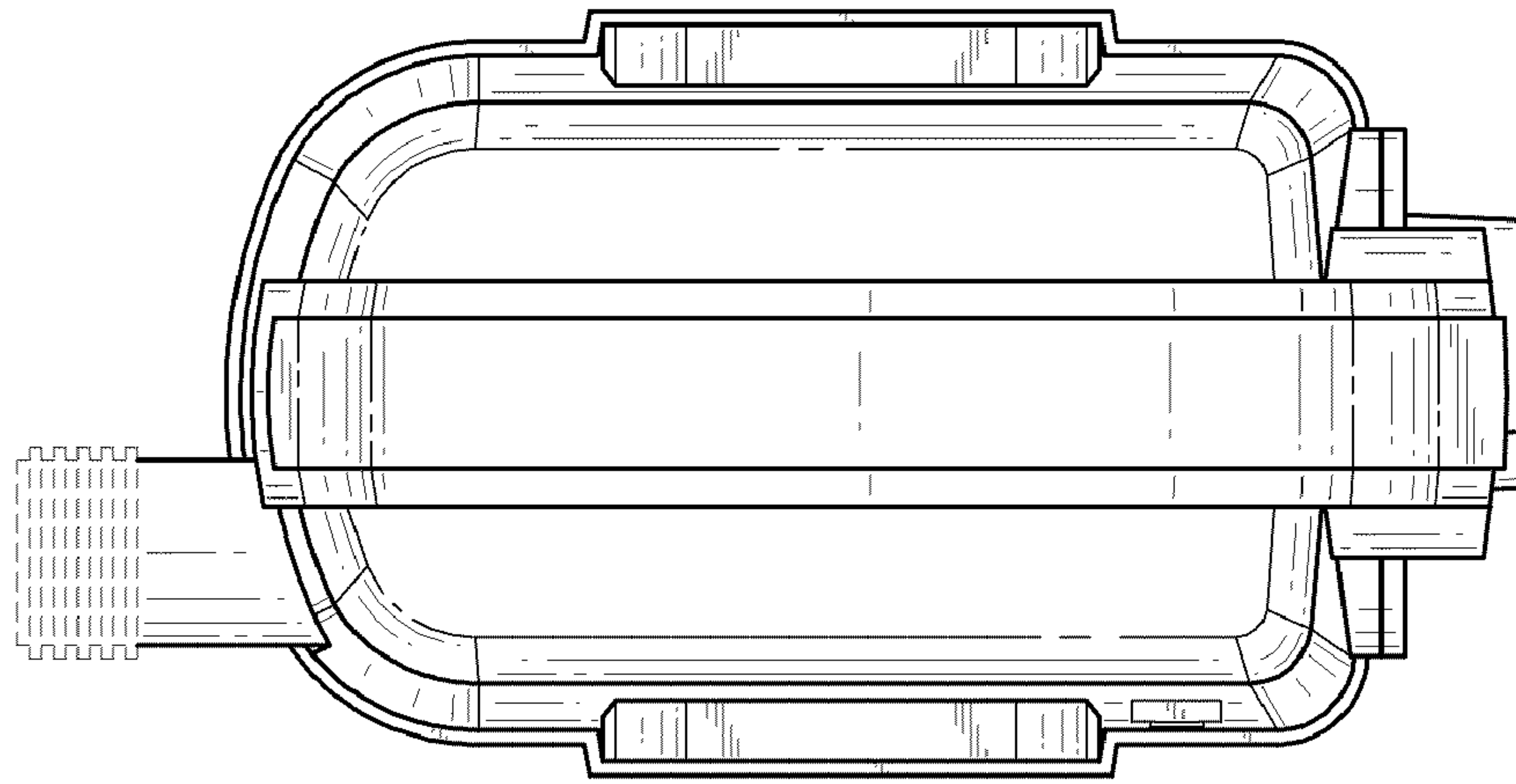
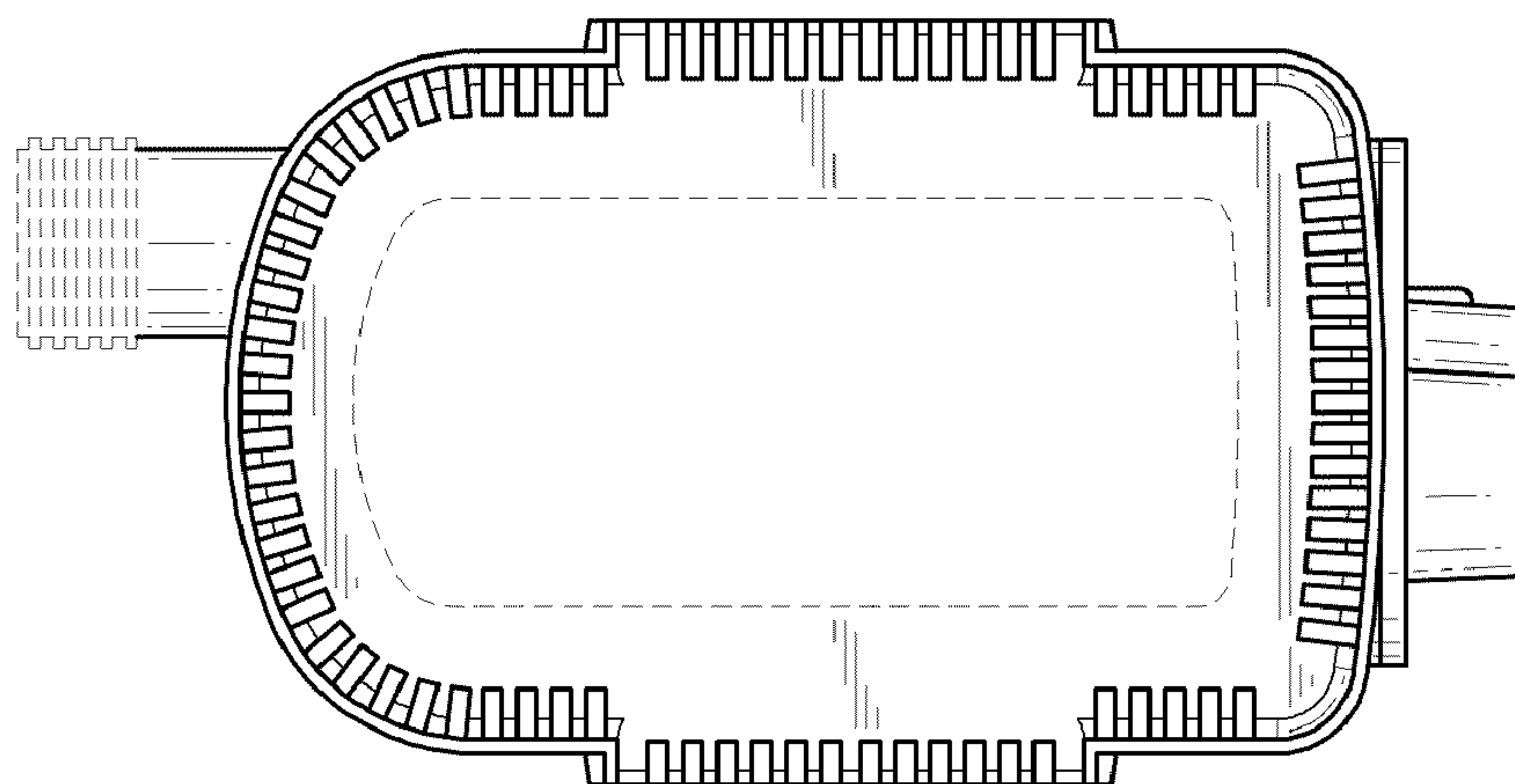


FIG. 5





*FIG. 6*



*FIG. 7*