



US00D649161S

(12) **United States Design Patent**  
**Becker**

(10) **Patent No.:** **US D649,161 S**

(45) **Date of Patent:** **\*\* Nov. 22, 2011**

(54) **DEVICE FOR INSULATING A COMBUSTION ENGINE**

(75) Inventor: **Michael Becker**, Edenkoben (DE)

(73) Assignee: **BDD Beteiligungs GmbH**, Mannheim (DE)

(\*\*) Term: **14 Years**

(21) Appl. No.: **29/313,824**

(22) Filed: **Feb. 13, 2009**

(30) **Foreign Application Priority Data**

Aug. 14, 2008 (EM) ..... 000 987 516-0001

Aug. 14, 2008 (EM) ..... 000 987 516-0002

Aug. 14, 2008 (EM) ..... 000 987 516-0003

(51) **LOC (9) Cl.** ..... **15-01**

(52) **U.S. Cl.** ..... **D15/5**

(58) **Field of Classification Search** ..... D15/5;  
123/196 S, 41.14, 142.5 E; 184/6.3, 6.4,  
184/6.22

See application file for complete search history.

(56) **References Cited**

U.S. PATENT DOCUMENTS

4,083,694 A \* 4/1978 Takeda et al. .... 422/198

5,460,097 A \* 10/1995 Nekola ..... 123/196 S

\* cited by examiner

*Primary Examiner* — Cathron C. Brooks

*Assistant Examiner* — Maurice Stevens

(74) *Attorney, Agent, or Firm* — Jordan and Hamburg LLP

(57) **CLAIM**

The ornamental design for a device for insulating an internal combustion engine, as shown and described.

**DESCRIPTION**

FIG. 1 is a top, front perspective view of a device for insulating a combustion engine showing my new design;

FIG. 2 is a top plan view thereof;

FIG. 3 is an elevational view of a first side thereof;

FIG. 4 is a bottom plan view thereof;

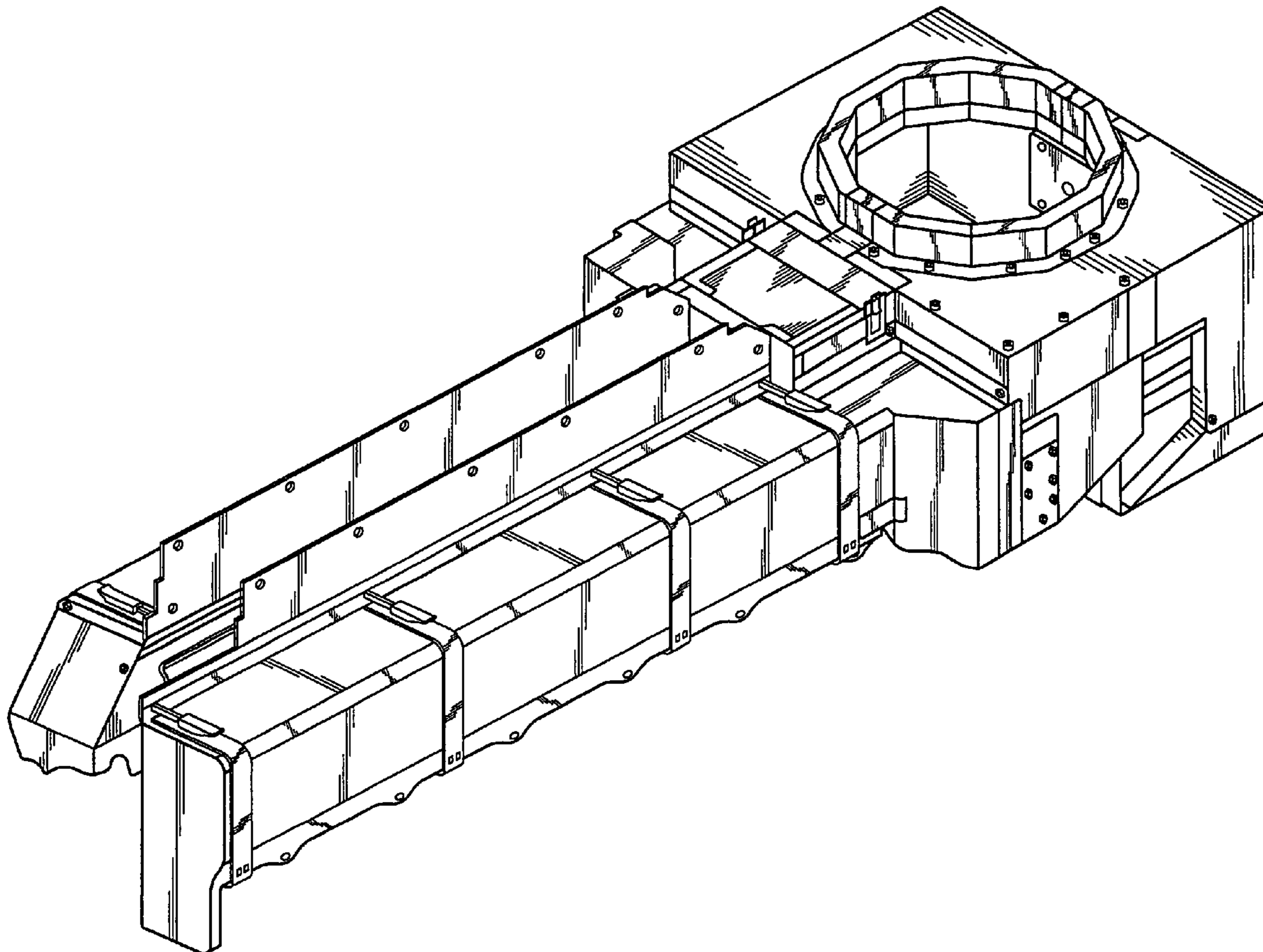
FIG. 5 is an elevational view of a second side thereof;

FIG. 6 is an elevational view of a first end thereof; and,

FIG. 7 is an elevational view of a second end thereof.

The broken lines showing of unclaimed portions of the device for insulating an internal combustion engine form no part of the claimed design.

**1 Claim, 6 Drawing Sheets**



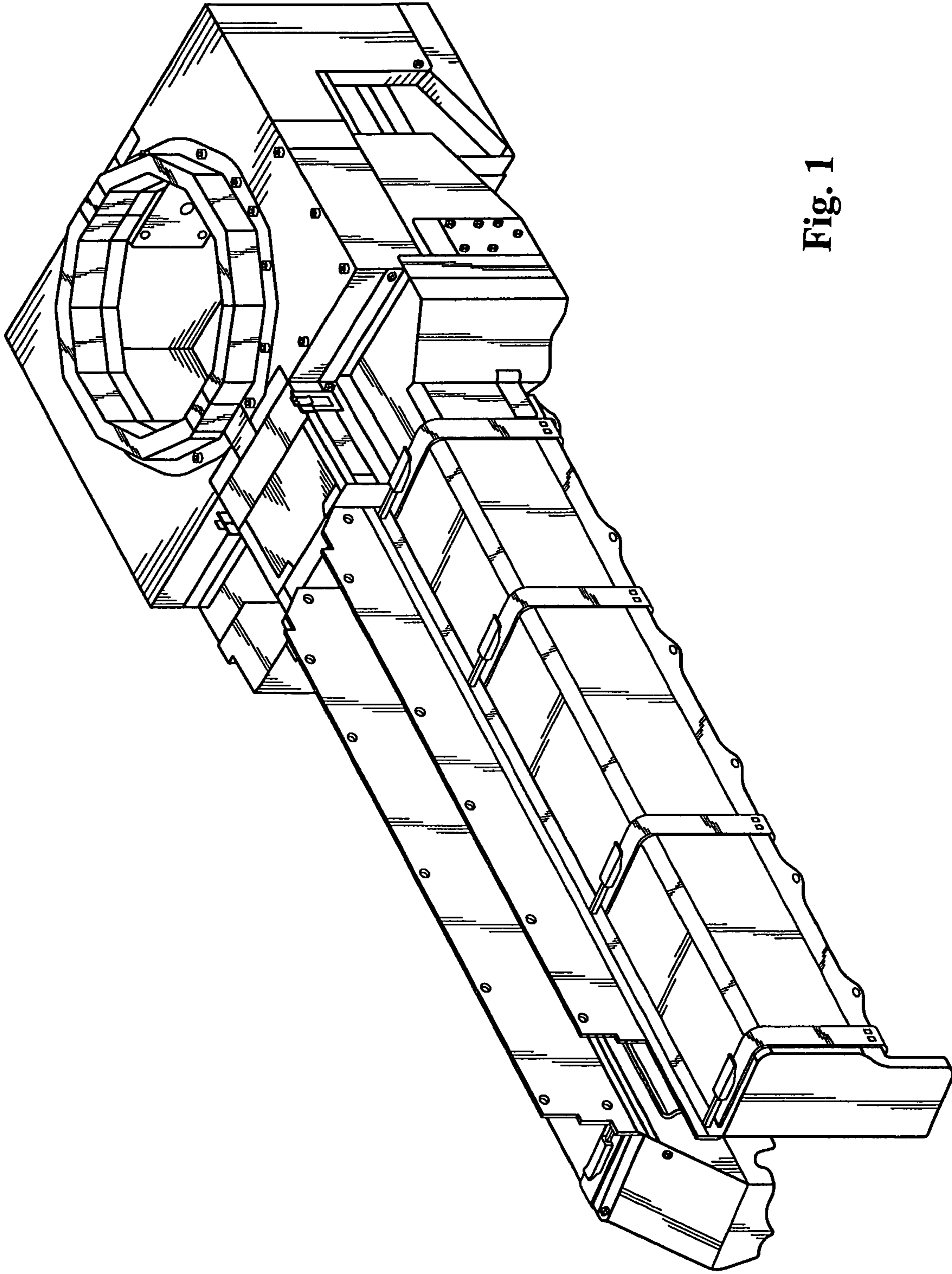


Fig. 1

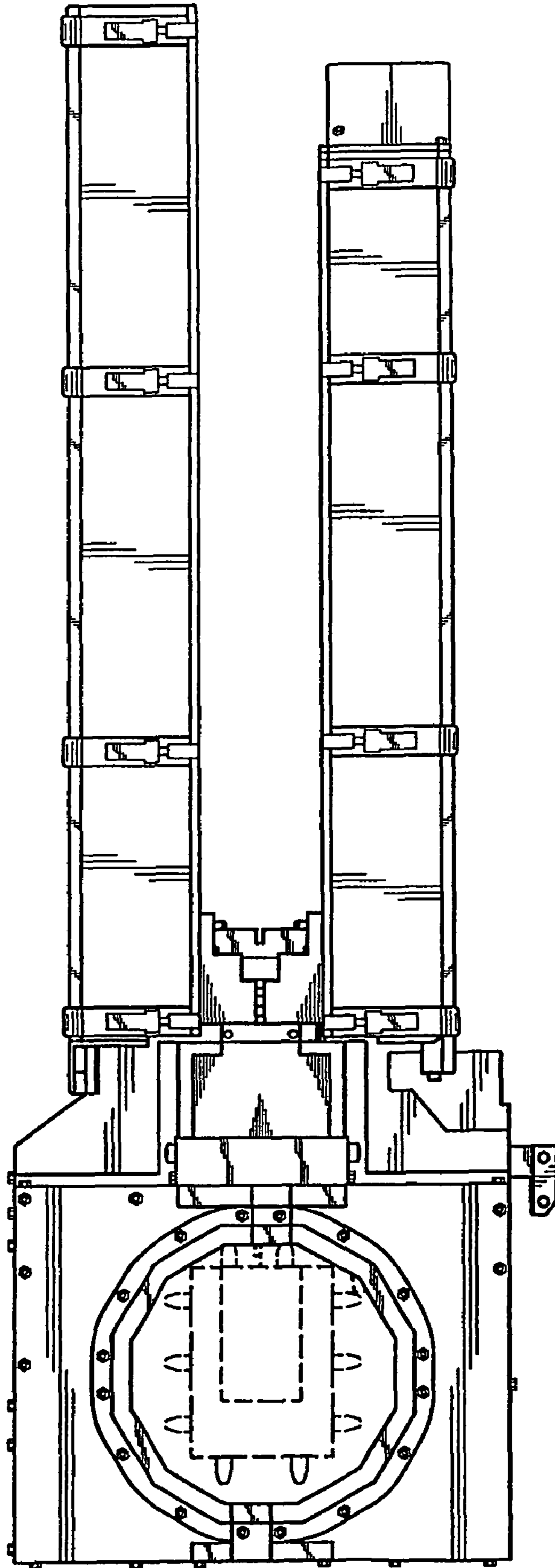


Fig. 2

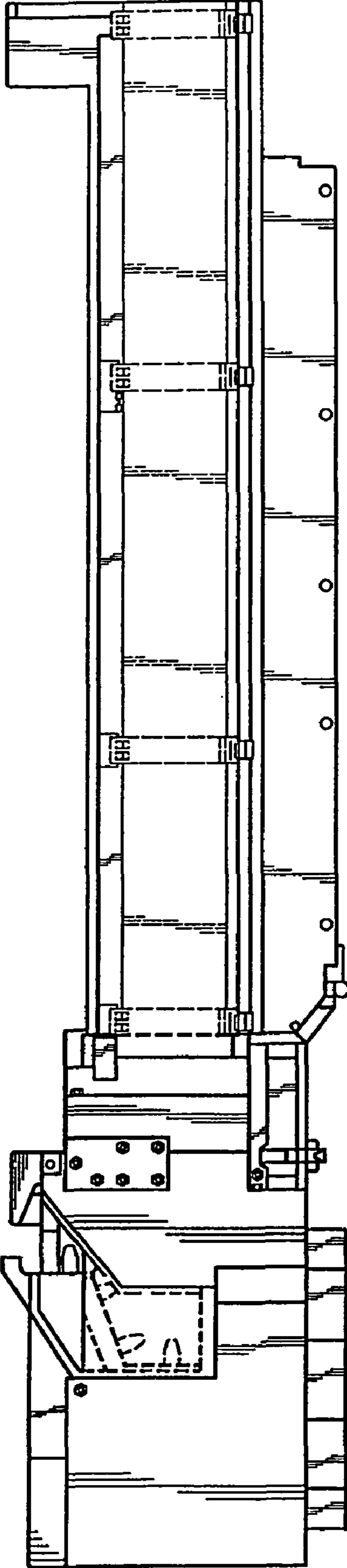


Fig. 3

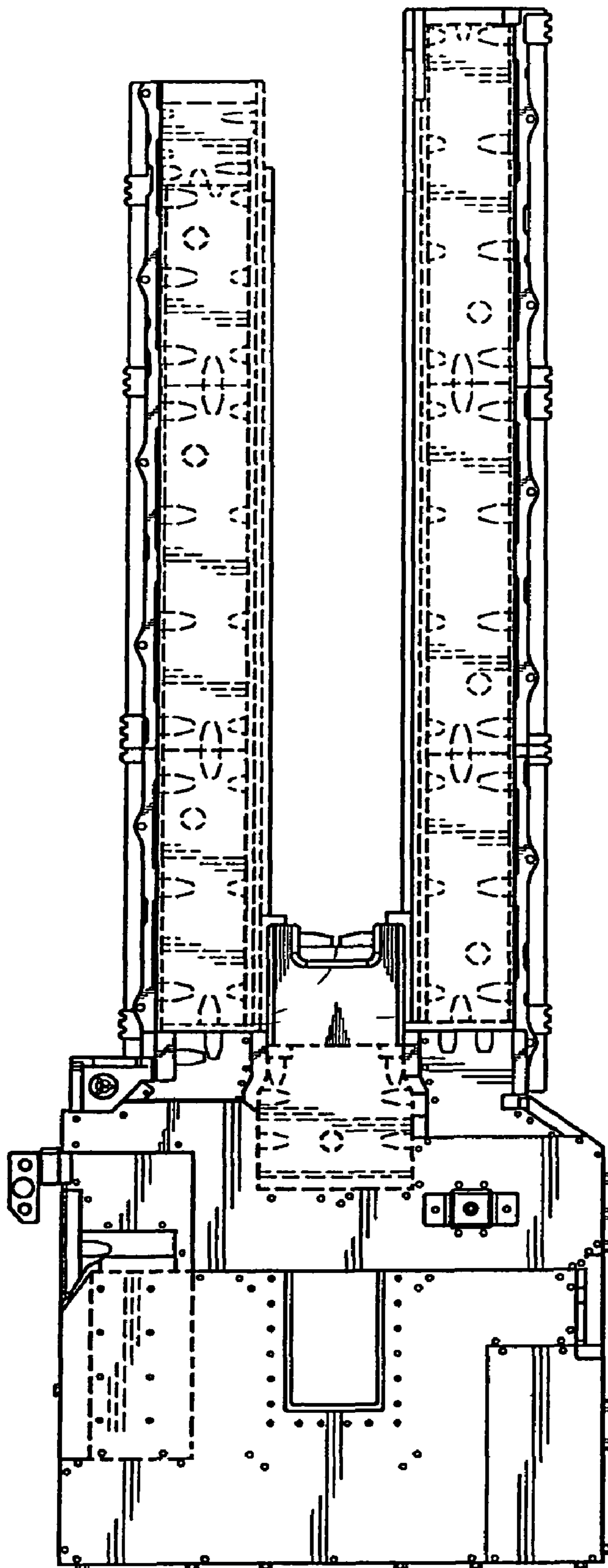


Fig. 4

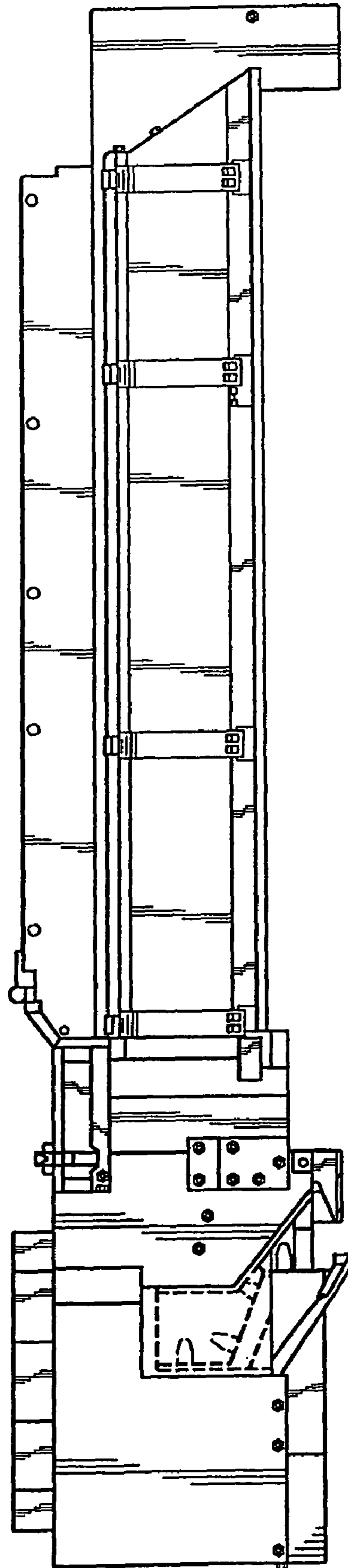
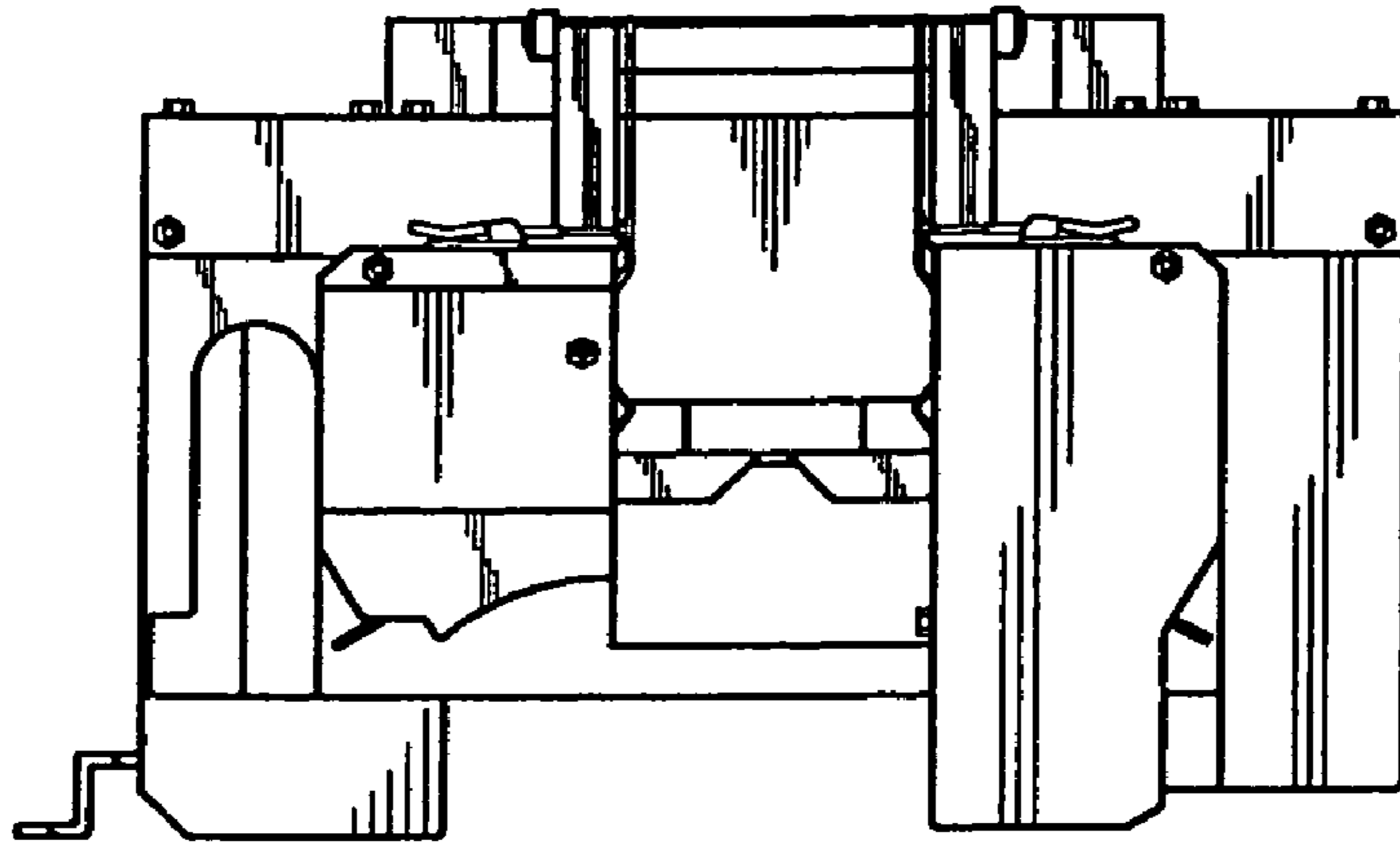
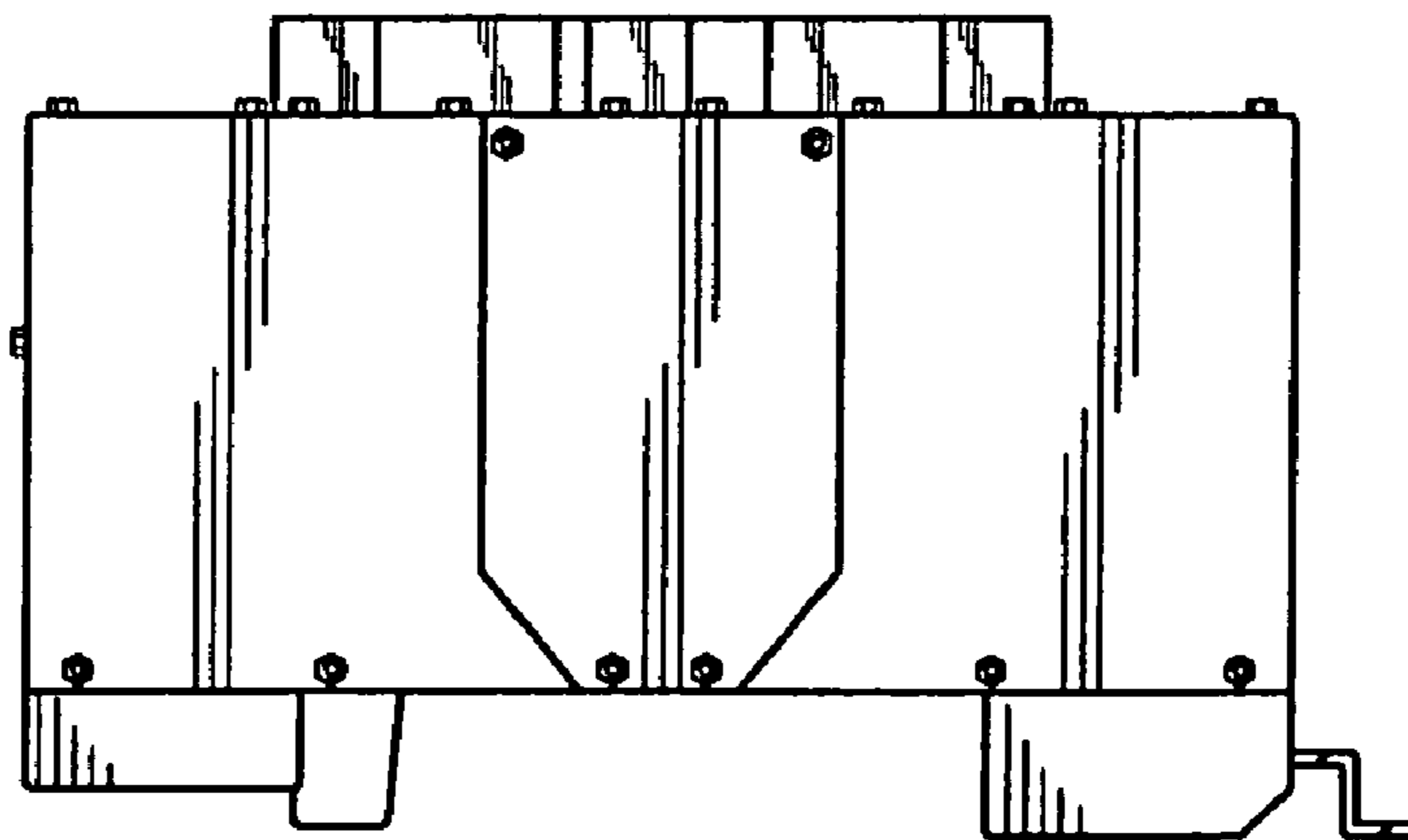


Fig. 5



**Fig. 6**



**Fig. 7**