



US00D649160S

(12) **United States Design Patent**  
**Smith**

(10) **Patent No.:** **US D649,160 S**

(45) **Date of Patent:** **\*\* Nov. 22, 2011**

(54) **WIRELESS AUDIO-VIDEO TRANSMITTER**

(76) Inventor: **Kevin R. Smith**, Bend, OR (US)

(\*\*) Term: **14 Years**

(21) Appl. No.: **29/369,379**

(22) Filed: **Sep. 8, 2010**

(51) **LOC (9) Cl.** ..... **14-03**

(52) **U.S. Cl.** ..... **D14/496; D14/203.1**

(58) **Field of Classification Search** ..... D14/496,  
D14/401, 435, 474, 483, 217, 137, 138, 160,  
D14/168, 356, 203.1-203.8, 507; 345/156,  
345/169, 173-179, 905, 327, 328, 333;  
715/727-729, 864; 710/1, 5, 8; 713/1, 600;  
455/1.1, 1.7, 73, 344-347, 93, 95, 3.01-3.06,  
455/550.1, 573.1; 370/342-344; 369/1,  
369/2, 6-12; 463/43-47; 273/148 B

See application file for complete search history.

(56) **References Cited**

**U.S. PATENT DOCUMENTS**

4,422,105	A *	12/1983	Rodesch et al.	.....	386/291
4,635,110	A *	1/1987	Weinblatt	.....	348/837
D305,426	S *	1/1990	Doi	.....	D14/358
4,963,995	A *	10/1990	Lang	.....	386/285
5,441,414	A *	8/1995	Chretien	.....	434/307 R
5,880,105	A *	3/1999	Bergsma et al.	.....	514/44 R
D438,179	S *	2/2001	Wang-Tsai	.....	D14/350
6,812,822	B1 *	11/2004	Spector	.....	340/3.1
6,930,661	B2 *	8/2005	Uchida et al.	.....	345/87

D547,771	S *	7/2007	Patton et al.	.....	D14/496
D586,364	S *	2/2009	Hermansen	.....	D14/496
D588,155	S *	3/2009	Fullerton	.....	D14/496
7,584,494	B2	9/2009	Dow, III		
2004/0252562	A1	12/2004	Kim		
2005/0219427	A1	10/2005	Akazawa		
2007/0143800	A1	6/2007	Salomons		

\* cited by examiner

*Primary Examiner* — Prabhakar Deshmukh

(74) *Attorney, Agent, or Firm* — Crossley Patent Law; Mark A. Crossley

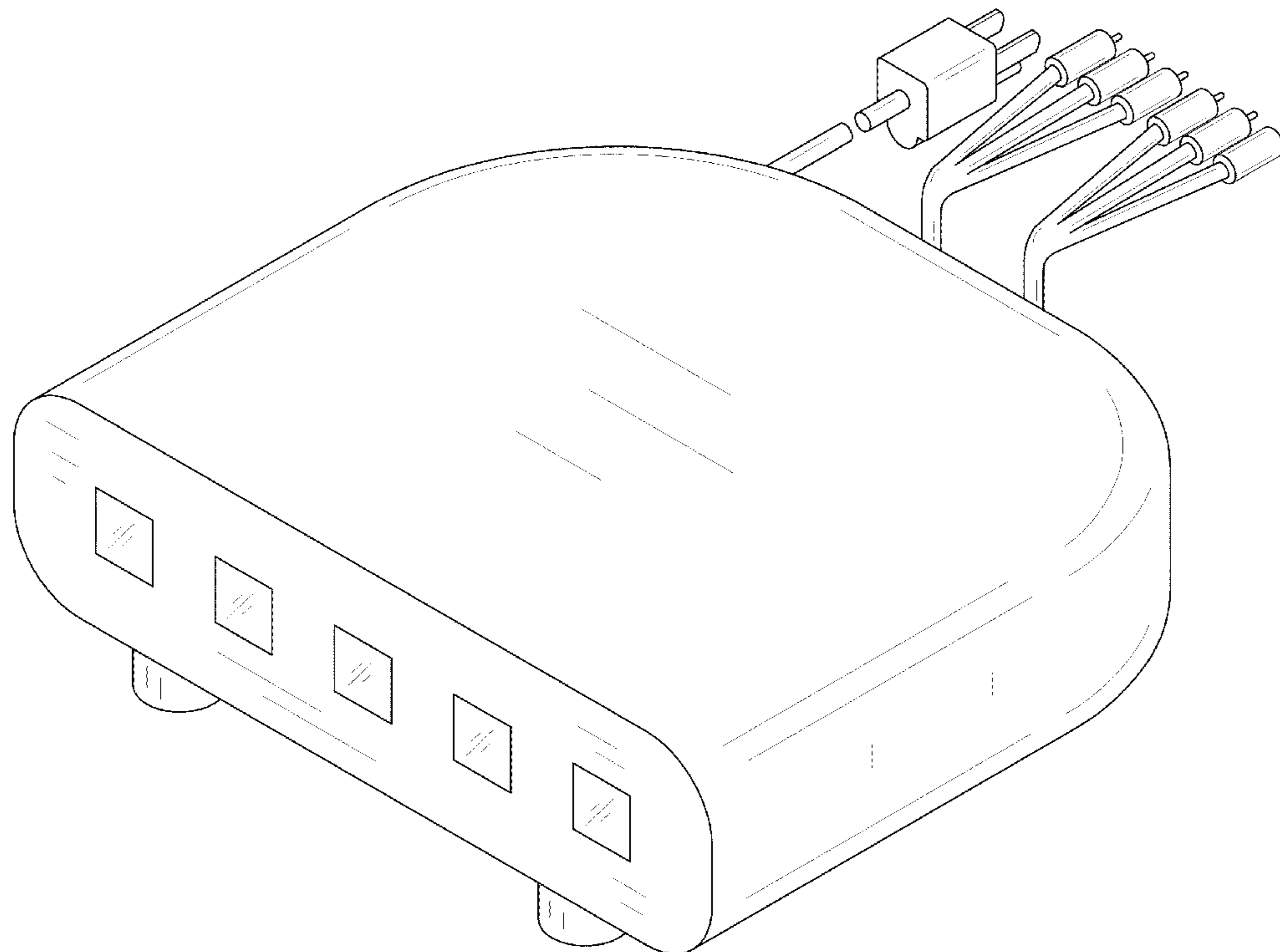
(57) **CLAIM**

The ornamental design for a wireless audio-video transmitter, as shown and described.

**DESCRIPTION**

FIG. 1 is a front elevation view of a wireless audio-video transmitter showing my new design; FIG. 2 is a rear elevation view thereof; FIG. 3 is a right elevation view thereof; FIG. 4 is a left elevation view thereof; FIG. 5 is a top plan view thereof; FIG. 6 is a bottom plan view thereof; and, FIG. 7 is an isometric view thereof. It is understood that the cables show undetermined length.

**1 Claim, 5 Drawing Sheets**



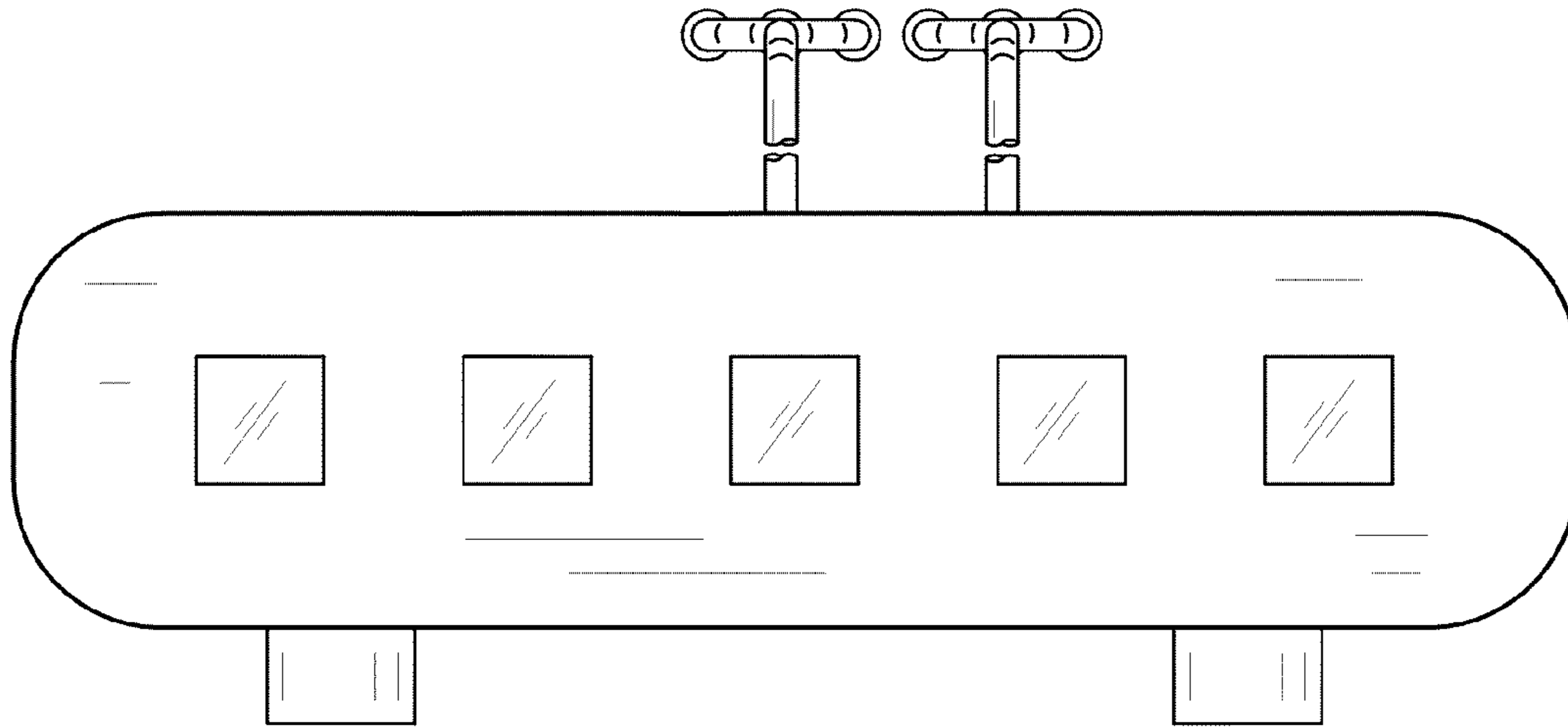


FIG. 1

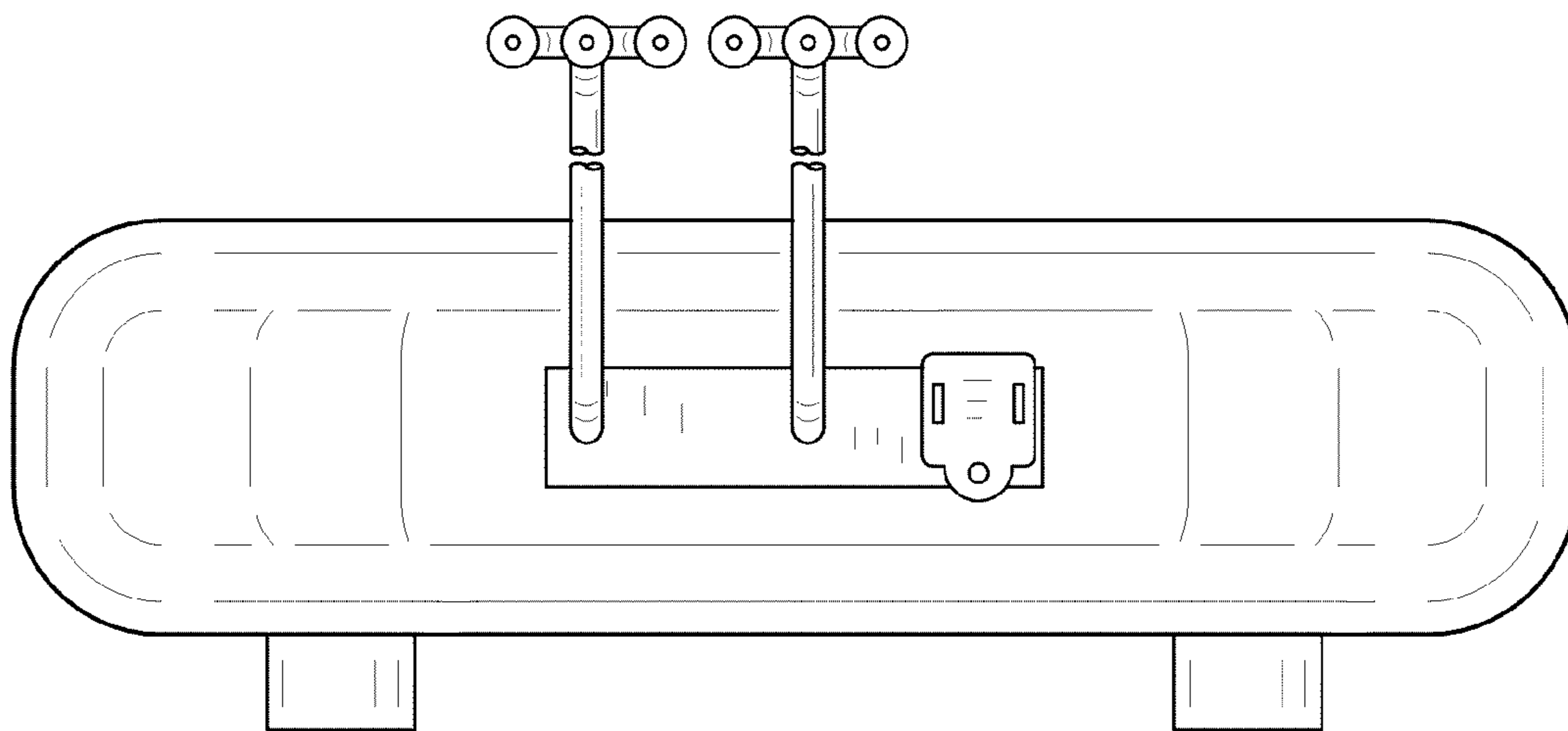


FIG. 2

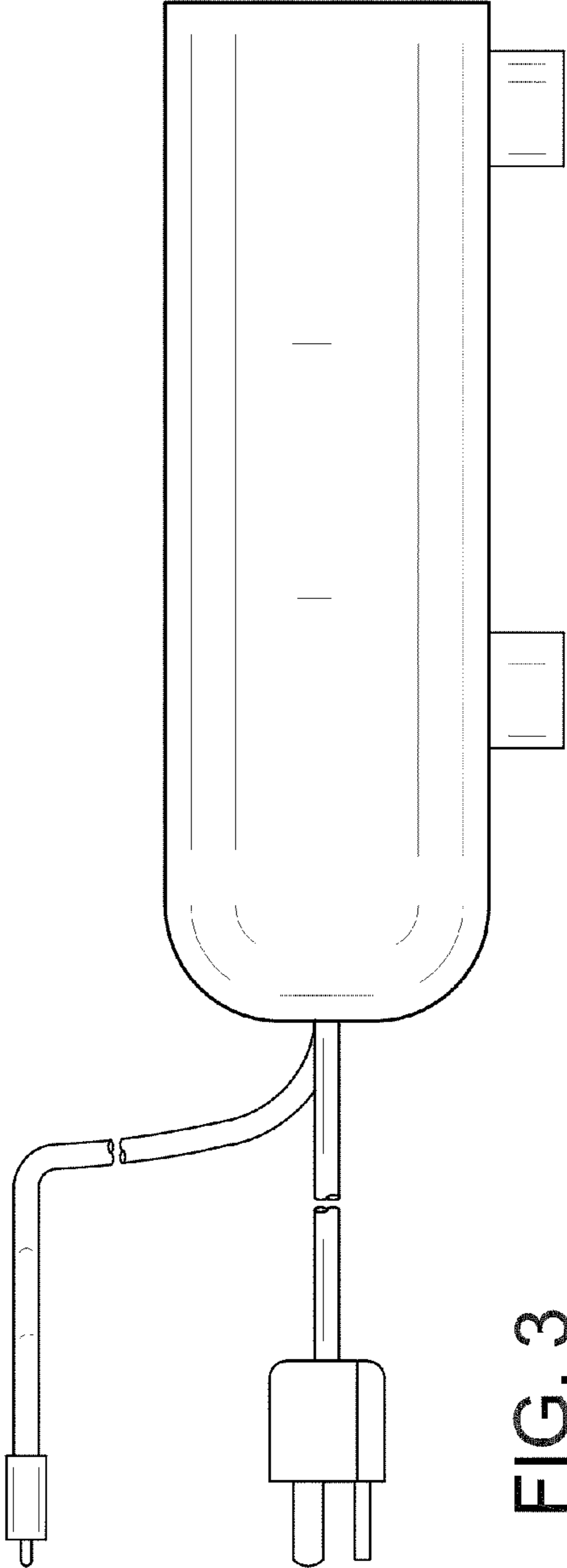


FIG. 3

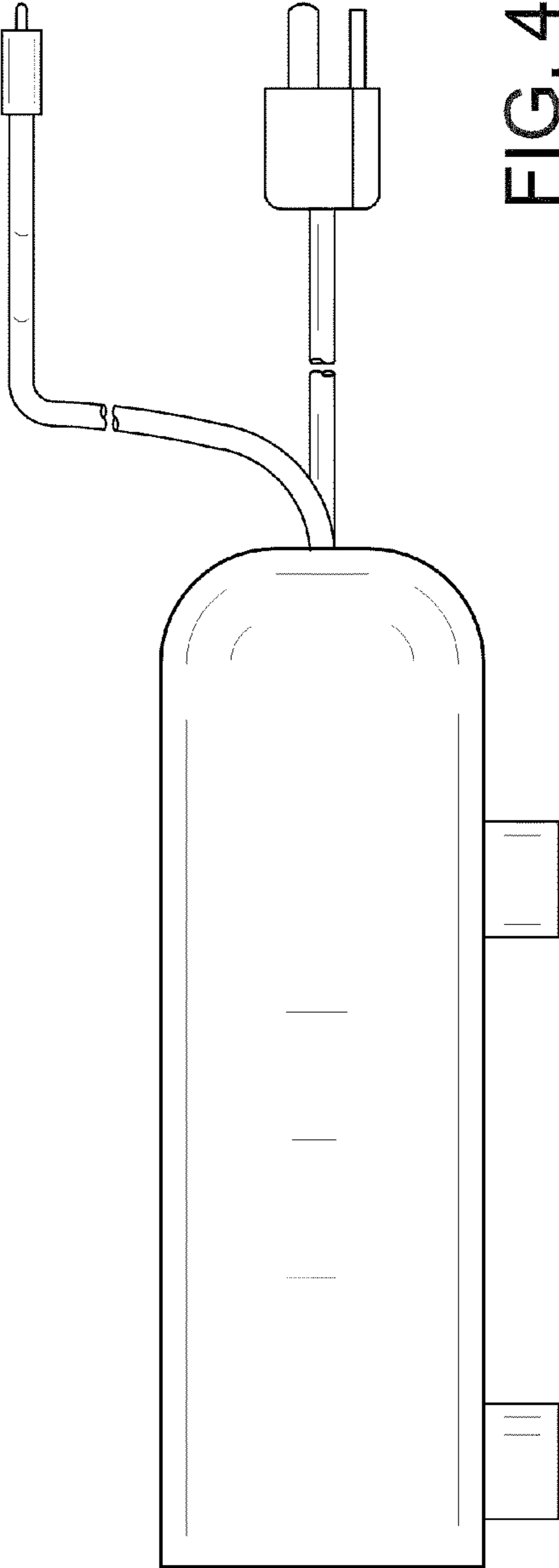


FIG. 4

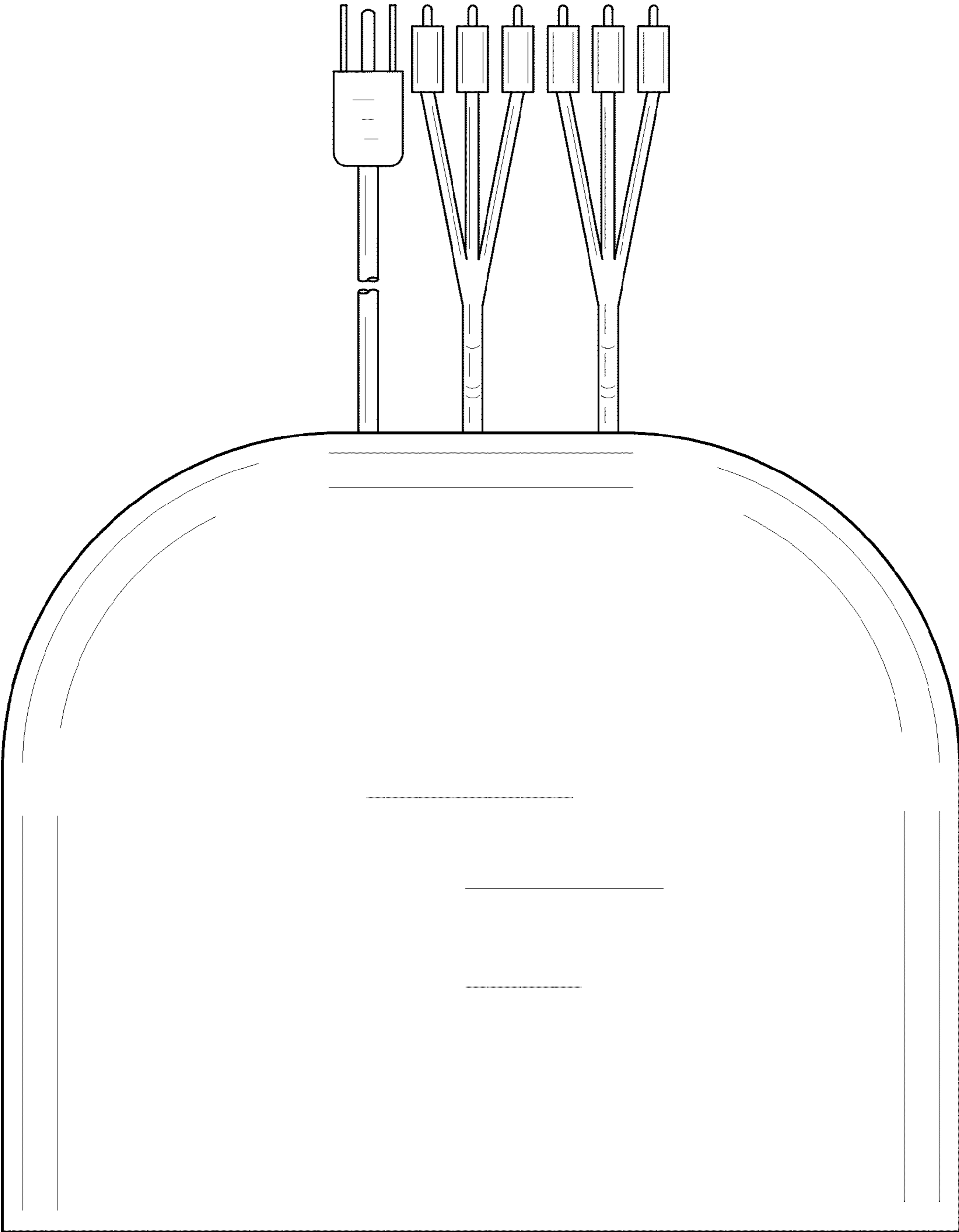


FIG. 5

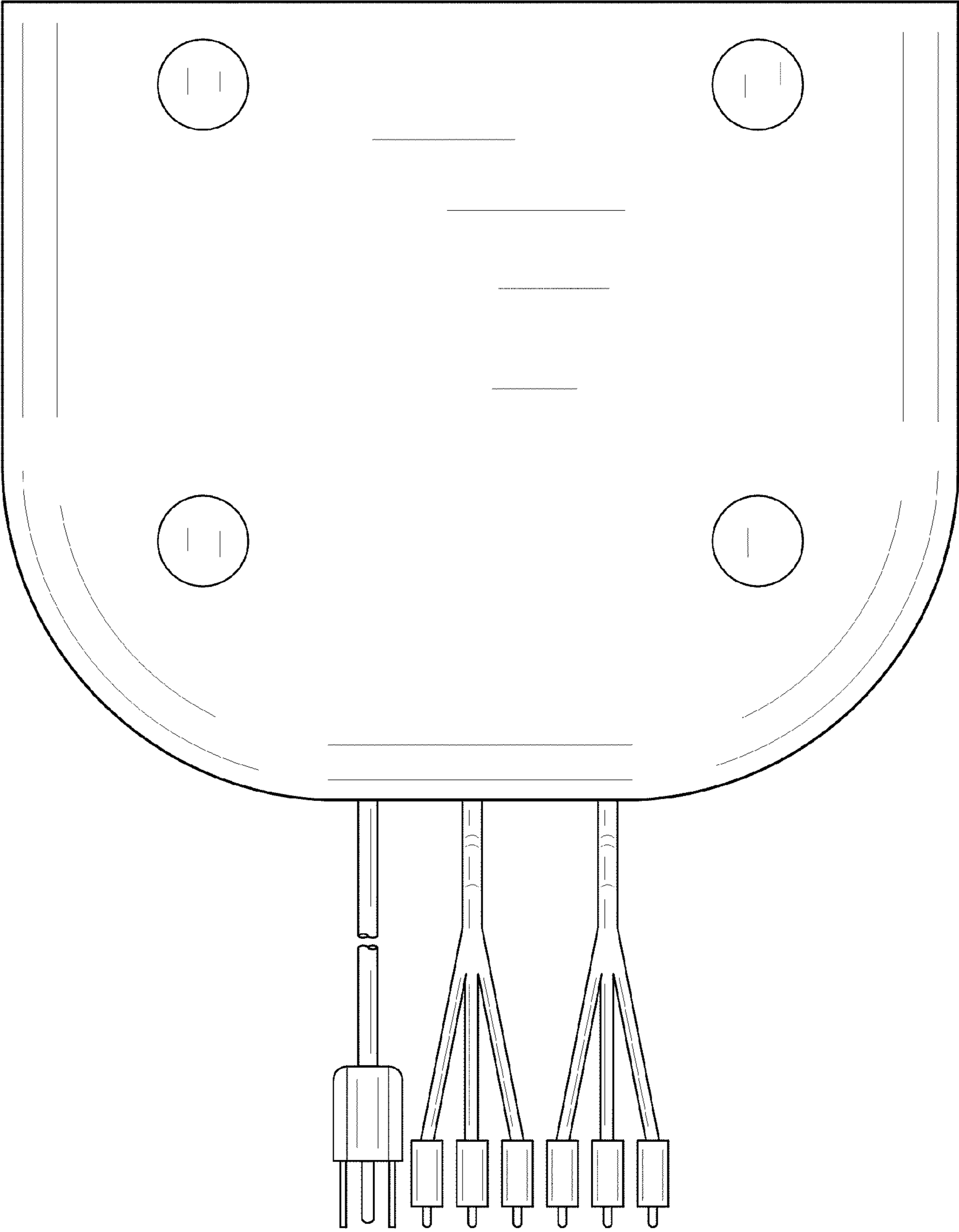


FIG. 6

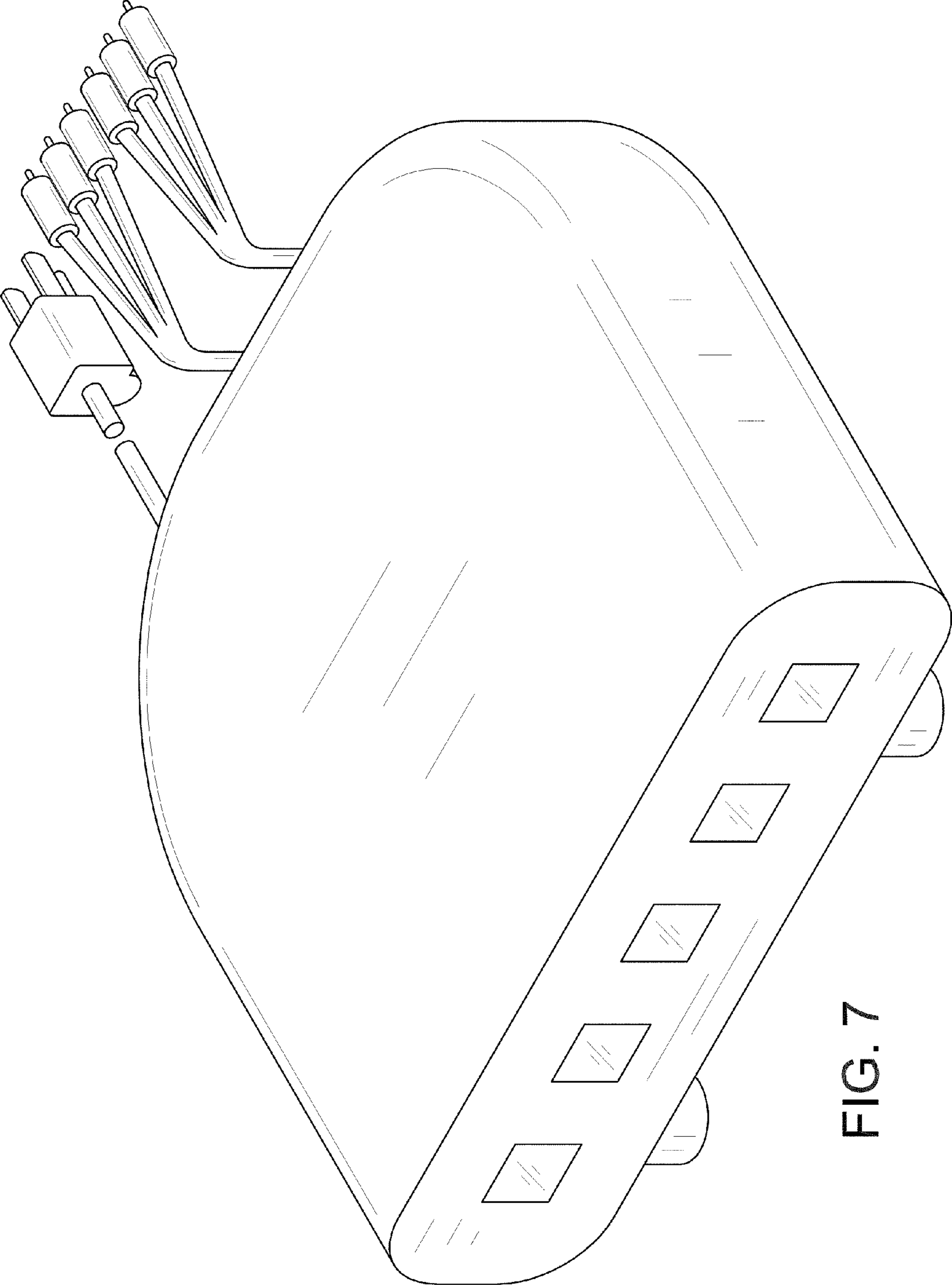


FIG. 7