



US00D649152S

(12) **United States Design Patent**  
**Gervais et al.**

(10) **Patent No.:** **US D649,152 S**  
(45) **Date of Patent:** **\*\* Nov. 22, 2011**

(54) **TOUCHLESS POINTING DEVICE**

(75) Inventors: **William J. Gervais**, Northridge, CA (US); **Mark H. Helmick**, Ventura, CA (US)

(73) Assignee: **Qualstar Corp.**, Simi Valley, CA (US)

(\*\*) Term: **14 Years**

(21) Appl. No.: **29/358,355**

(22) Filed: **Mar. 25, 2010**

(51) **LOC (9) Cl.** ..... **14-02**

(52) **U.S. Cl.** ..... **D14/402**

(58) **Field of Classification Search** ..... D14/402-404, D14/407, 411, 413, 416, 454; D24/133, D24/152, 185; 200/5 A, 5 R, 6 A, 6 R; 345/157, 345/163; 463/39

See application file for complete search history.

(56) **References Cited**

**U.S. PATENT DOCUMENTS**

D459,352 S *	6/2002	Giovanniello	.....	D14/402
D468,742 S *	1/2003	Konig	.....	D14/403
D477,602 S *	7/2003	Alsio	.....	D14/405
2008/0174549 A1 *	7/2008	Chen	.....	345/157

\* cited by examiner

*Primary Examiner* — Freda S Nunn

(74) *Attorney, Agent, or Firm* — Paul Y. Feng; The Eclipse Group LLP

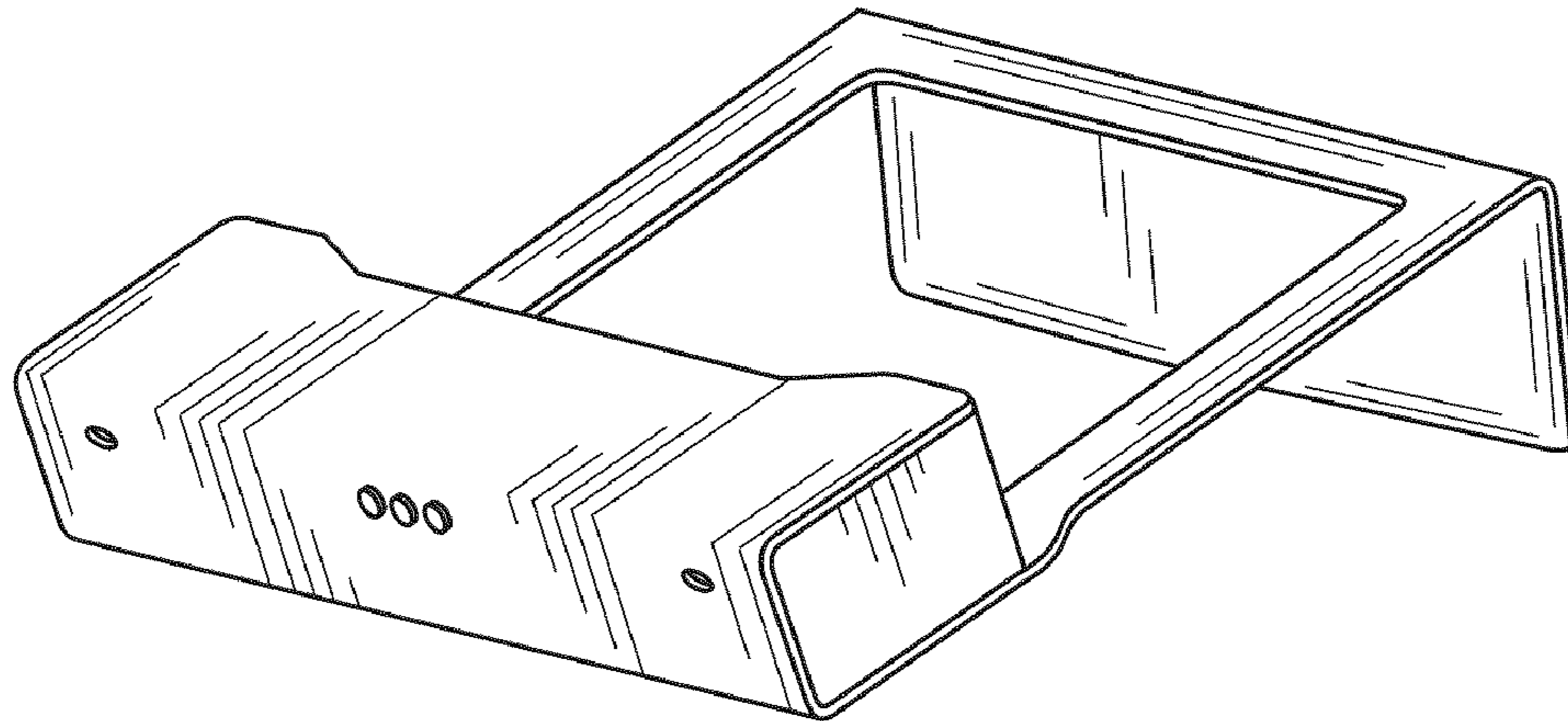
(57) **CLAIM**

The ornamental design for a touchless pointing device, as shown and described.

**DESCRIPTION**

FIG. 1 is a right, front, bottom-edge perspective view of a touchless pointing device showing the new design; FIG. 2 is a left front, bottom-edge perspective view thereof; FIG. 3 is a top-edge, back perspective view thereof; FIG. 4 is a front view thereof; FIG. 5 is a back view thereof; FIG. 6 is a top-edge view thereof; FIG. 7 is a bottom-edge view thereof; and, FIG. 8 is a left side elevational view thereof, wherein the opposite right side view is substantially identical.

**1 Claim, 4 Drawing Sheets**



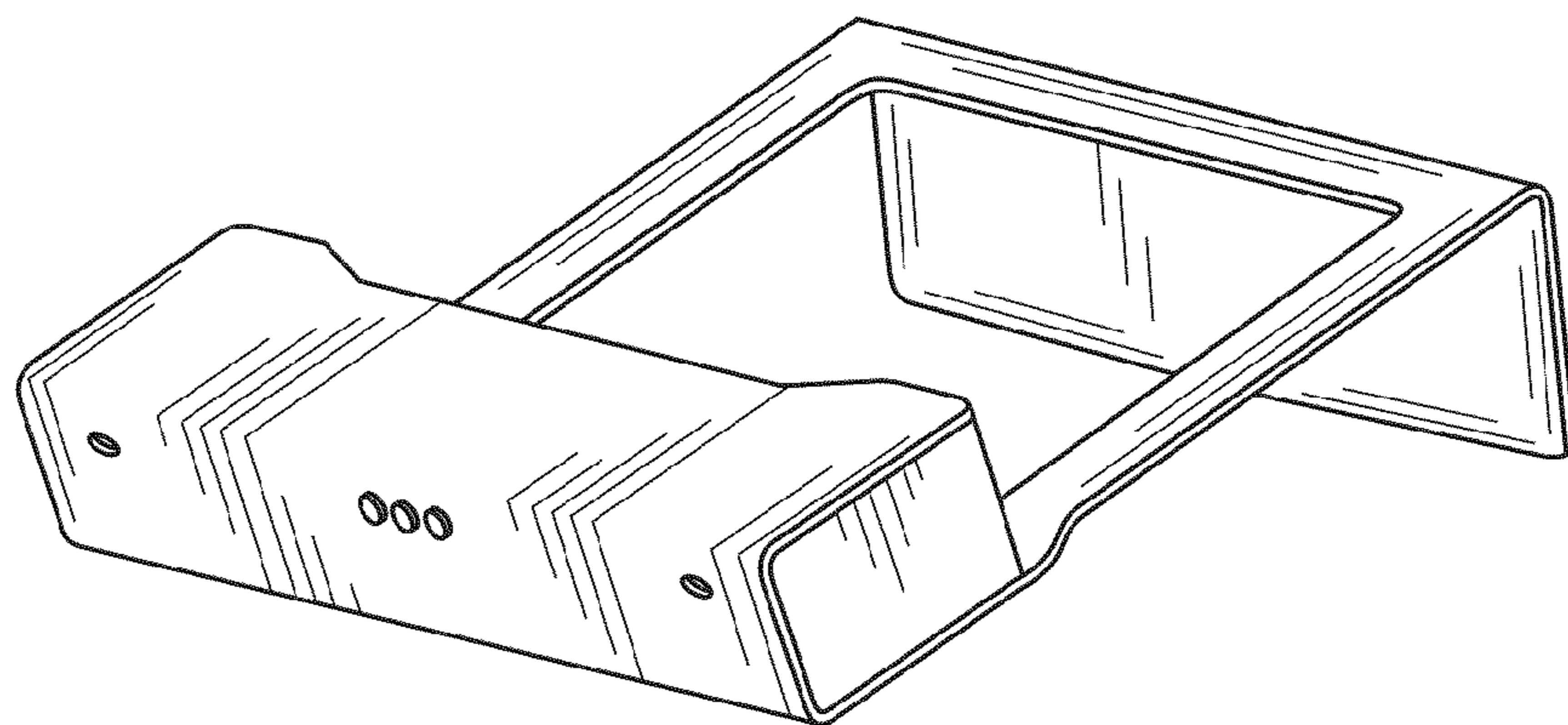


FIG. 1

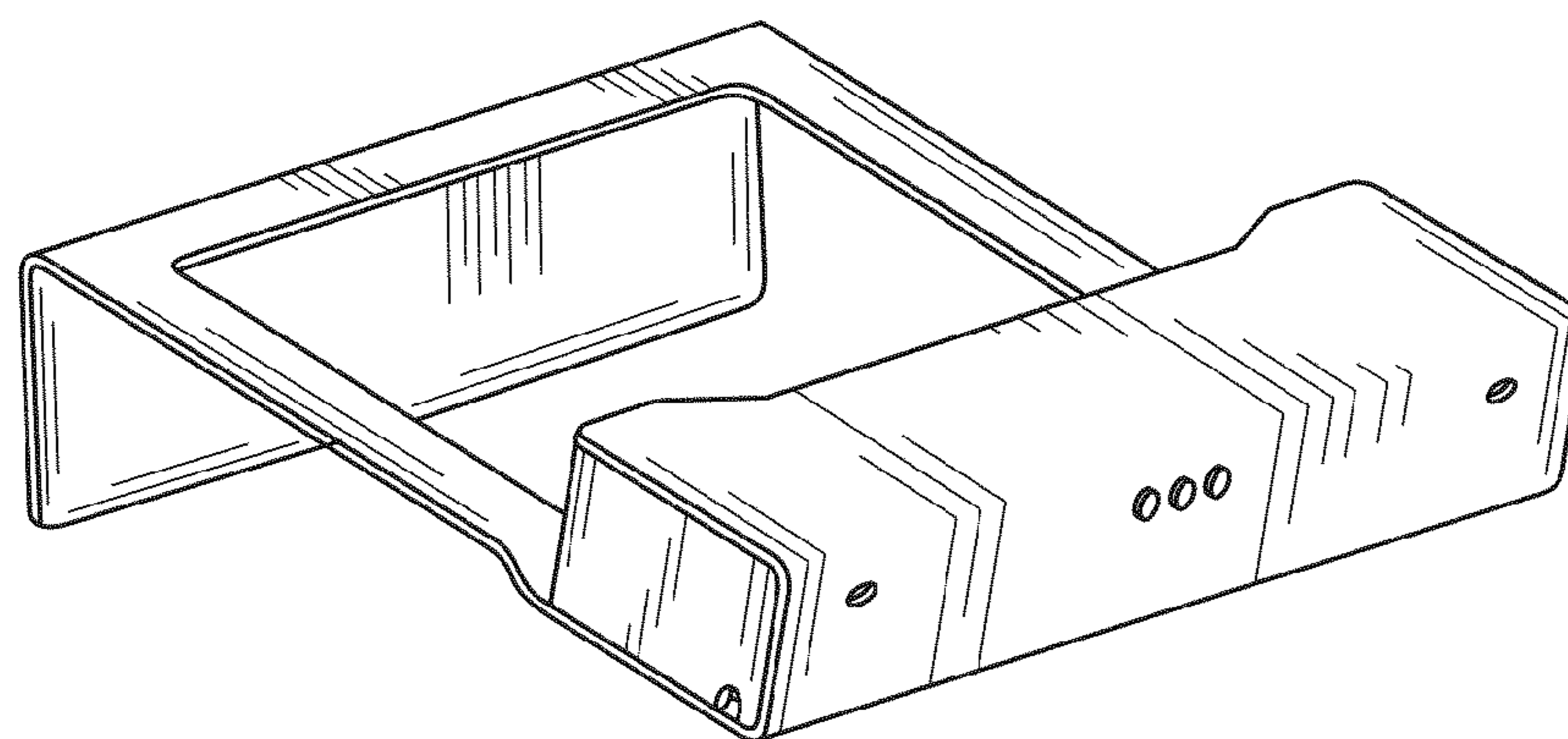


FIG. 2

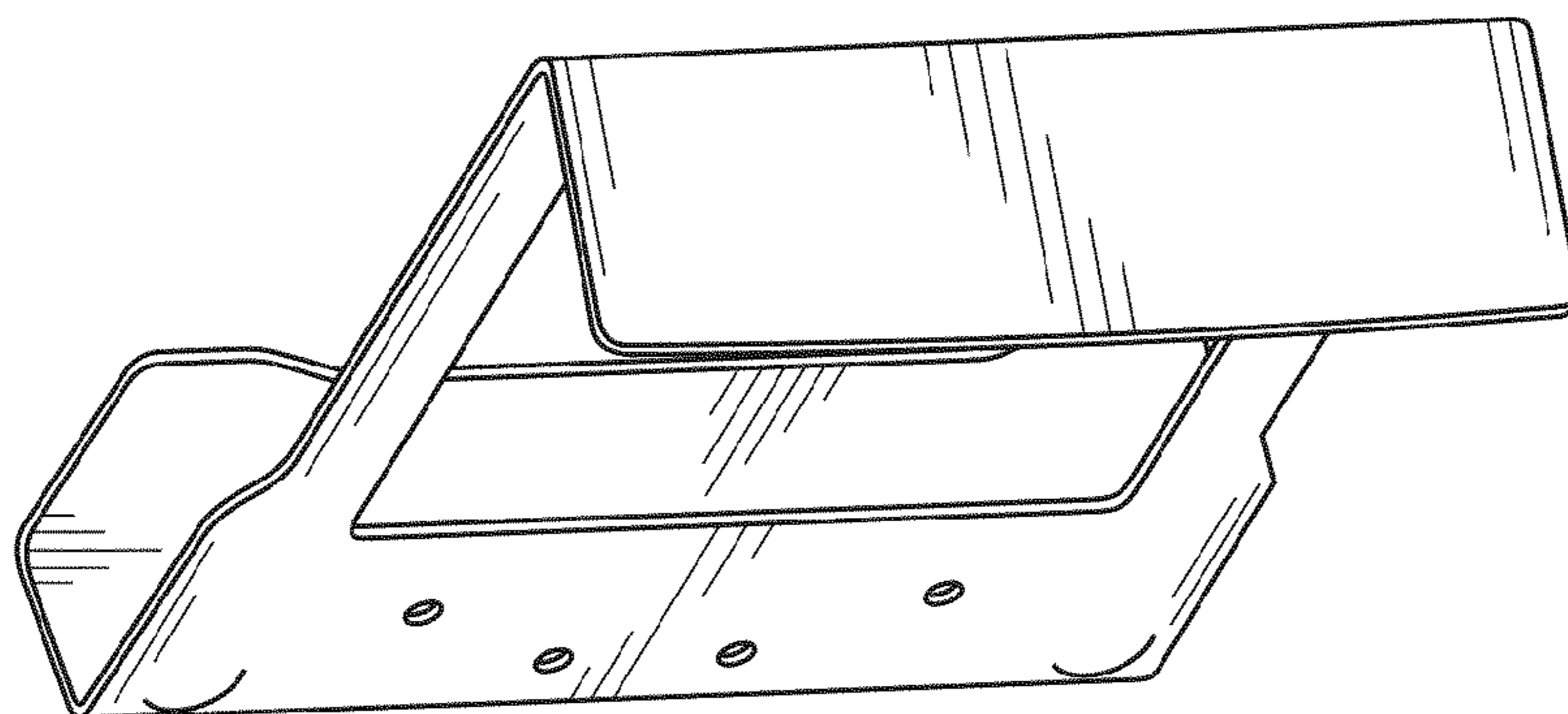


FIG. 3

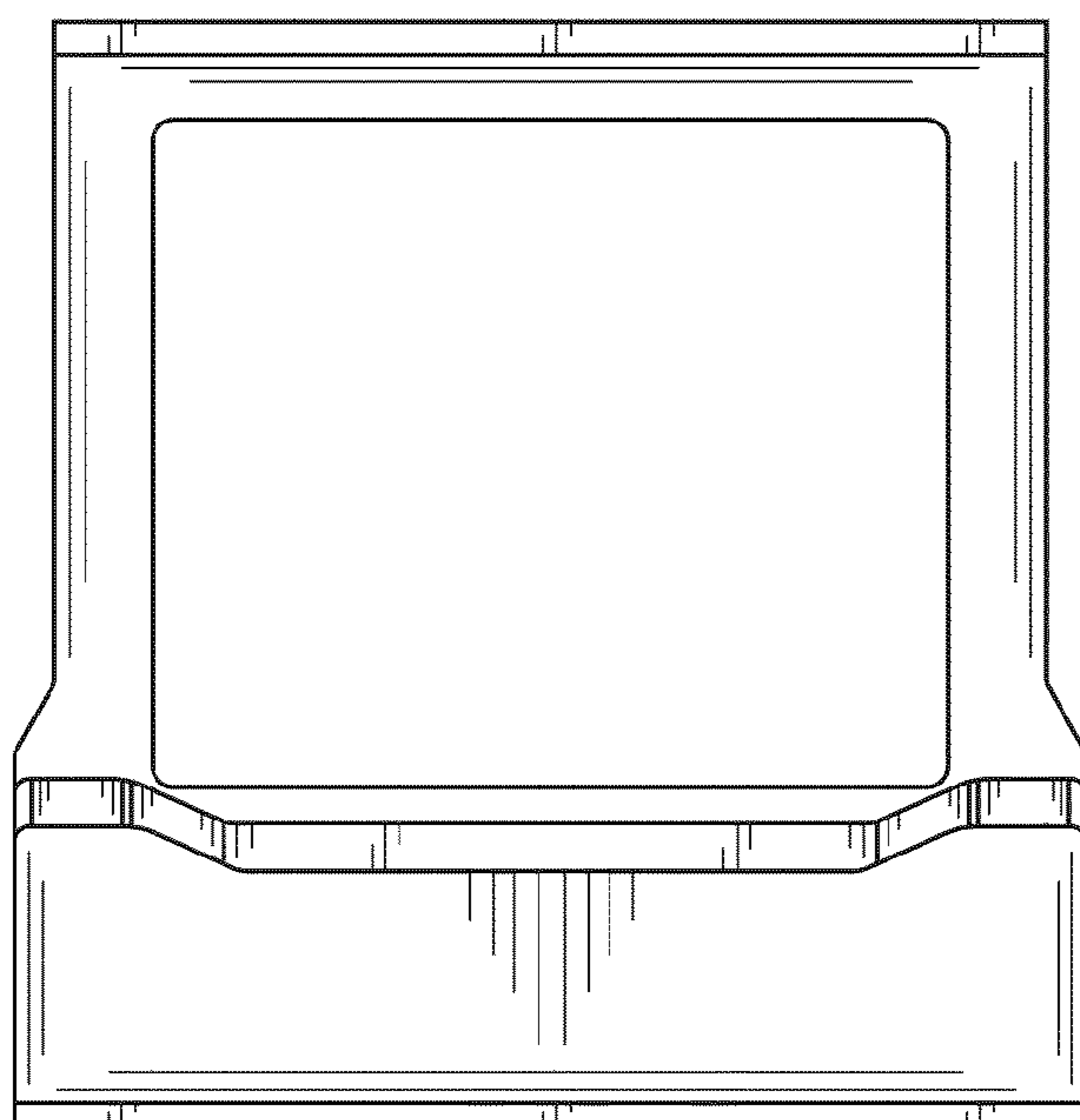


FIG. 4

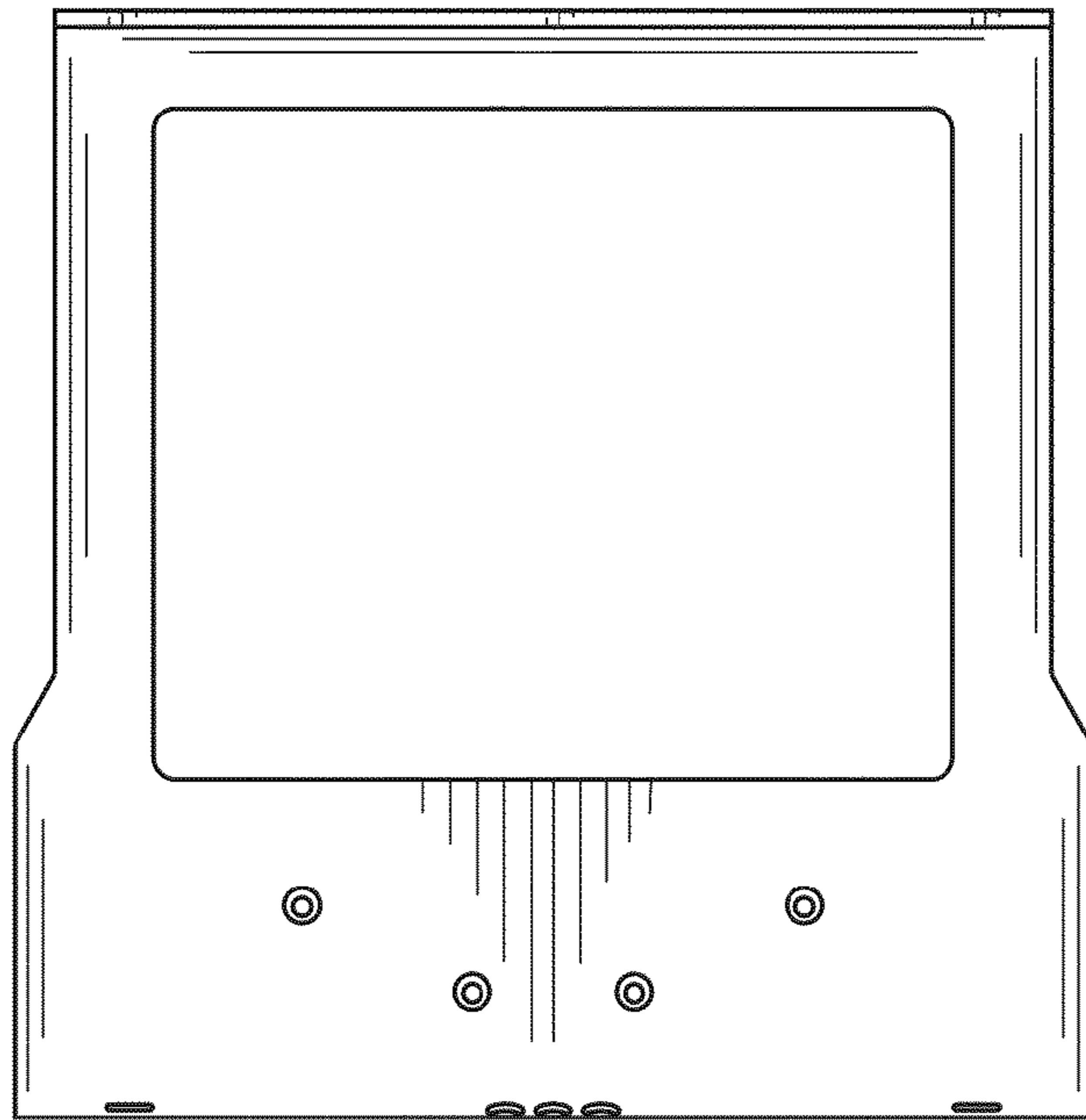


FIG. 5

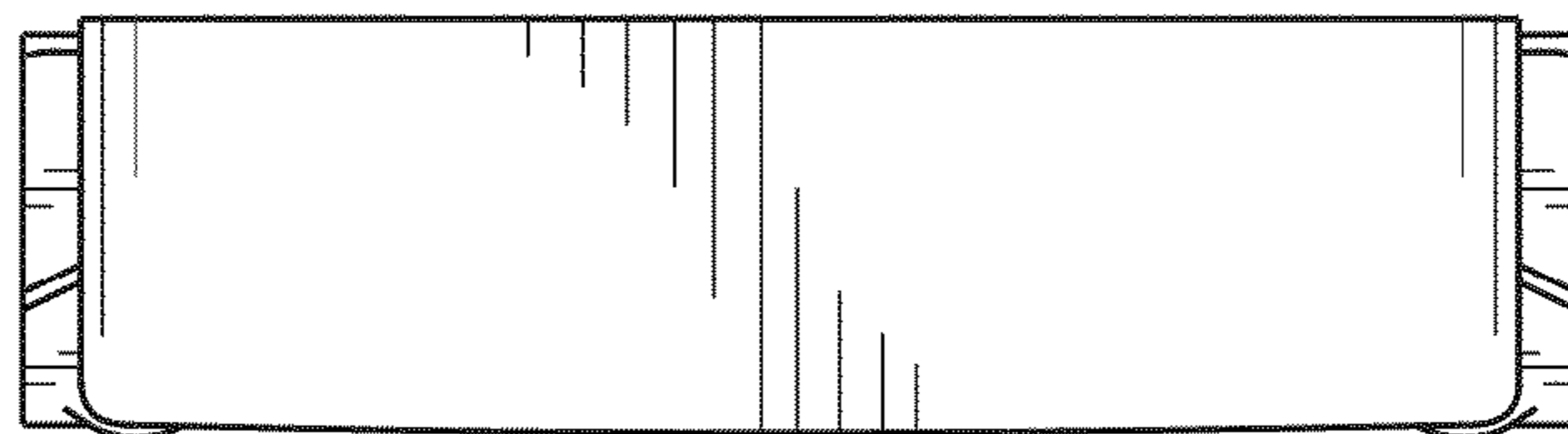


FIG. 6

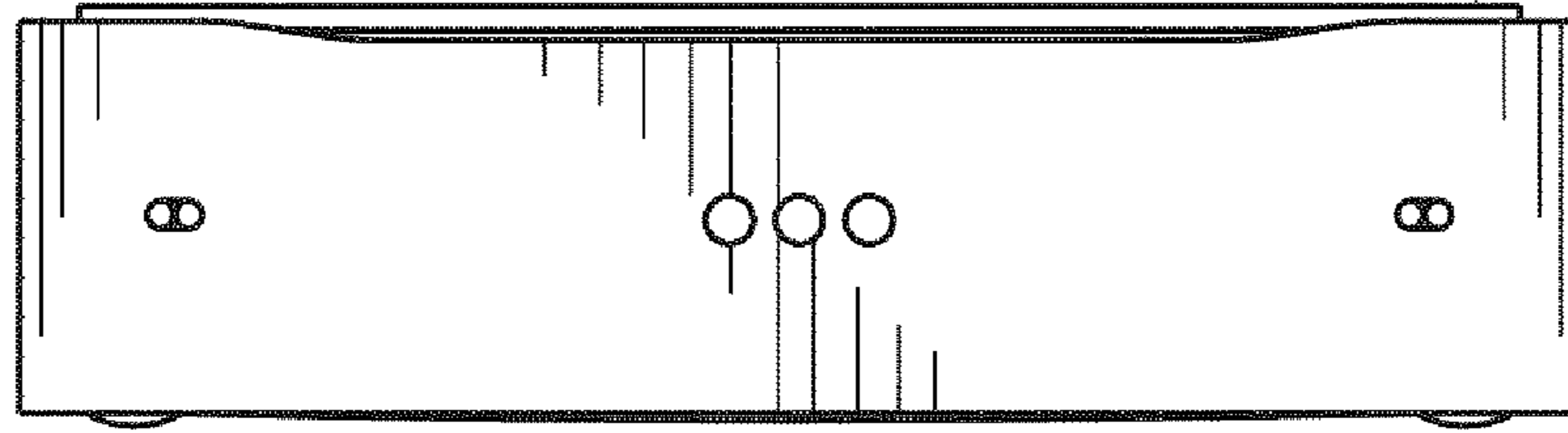


FIG. 7

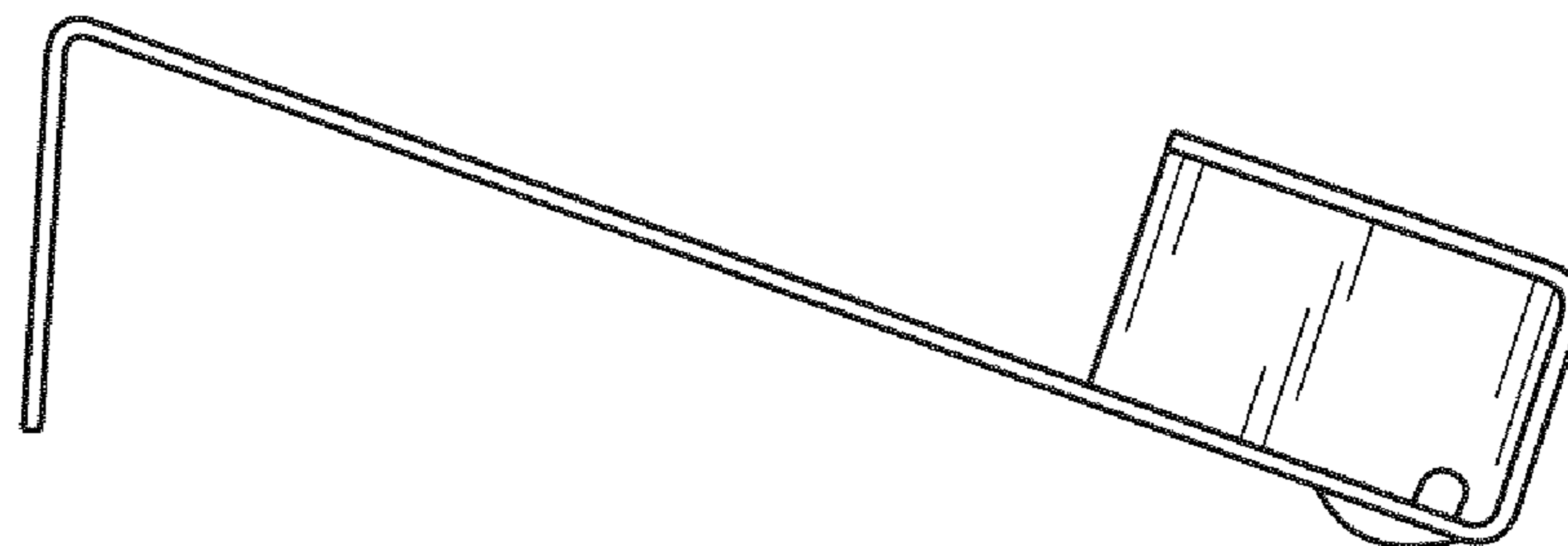


FIG. 8