



US00D649151S

(12) **United States Design Patent**
Ramones et al.

(10) **Patent No.:** **US D649,151 S**
(45) **Date of Patent:** **** Nov. 22, 2011**

(54) **NETWORK DEVICE HAVING WIDE VIEWING ANGLE INDICATORS FOR PERFORMANCE**

D549,698 S * 8/2007 Jeon et al. D14/240
7,336,926 B2 * 2/2008 Noda et al. 455/41.2
D563,953 S * 3/2008 Tosh et al. D14/349

(Continued)

(75) Inventors: **John K. Ramones**, San Ramon, CA (US); **Laura E. Bucholtz**, San Francisco, CA (US); **Chadwick J. Harber**, San Francisco, CA (US); **Gadi Amit**, San Mateo, CA (US); **Julien Rouillac**, San Francisco, CA (US)

(73) Assignee: **Netgear, Inc.**, San Jose, CA (US)

(**) Term: **14 Years**

(21) Appl. No.: **29/343,072**

(22) Filed: **Sep. 4, 2009**

(51) **LOC (9) Cl.** **32-00**

(52) **U.S. Cl.** **D14/358**

(58) **Field of Classification Search** D14/125,
D14/137, 167, 168, 230, 231, 233, 235, 237,
D14/240–242, 299, 432, 435, 436, 155, 496,
D14/300–302, 313, 314, 214, 348–363, 365–370;
D18/56; D10/65, 75, 78; D13/149, 162,
D13/184, 199; D3/201, 273; 361/679.31–679.45;
455/232.1, 73, 78, 41.2, 552.1

See application file for complete search history.

(56) **References Cited**

U.S. PATENT DOCUMENTS

D197,611	S	*	3/1964	Yang	D14/214
D280,898	S	*	10/1985	Benigni et al.	D14/313
D297,518	S	*	9/1988	Yuen	D10/106
D307,266	S	*	4/1990	Hara et al.	D14/351
D318,673	S	*	7/1991	Terk	D14/230
6,229,507	B1	*	5/2001	Nakamura et al.	345/82
D471,882	S	*	3/2003	Lan	D14/125
D483,746	S	*	12/2003	Hyogo	D14/240
D517,041	S	*	3/2006	Harris et al.	D14/168
D531,142	S	*	10/2006	Yang et al.	D14/125
D543,076	S	*	5/2007	Ben-Shlomo et al.	D7/600.1
D549,697	S	*	8/2007	Jeon et al.	D14/240

OTHER PUBLICATIONS

Stop the Cap! >> Netgear Will Help Internet Subscribers Independently Measure Broadband Use, pp. 4-8 [online] posted on Jul. 21, 2009 [retrieved on Jun. 23, 2010]. Retrieved from the Internet <URL: <http://stopthecap.com/2009/07/21/netgear-will-help-internet-subscribers-independently-measure-broadband-use/>>.*

(Continued)

Primary Examiner — Cathron Brooks

Assistant Examiner — Karen E Kearney

(74) Attorney, Agent, or Firm — James M. Wu; JW Law Group

(57) **CLAIM**

The ornamental design for network device having wide viewing angle indicators for performance, as shown and described.

DESCRIPTION

This application is related to the following co-pending application, which has assigned to the Assignee of the present invention.

Application Ser. No. 12/554,281, assigned to NETGRER, Inc, filed Sep. 4, 2009, entitled “Wide Viewing Angle Indicators for Network Devices.”

FIG. 1 is a front elevational view of a network device having wide viewing angle indicators for performance;

FIG. 2 is a top plan elevational view thereof;

FIG. 3 is a side elevational view thereof;

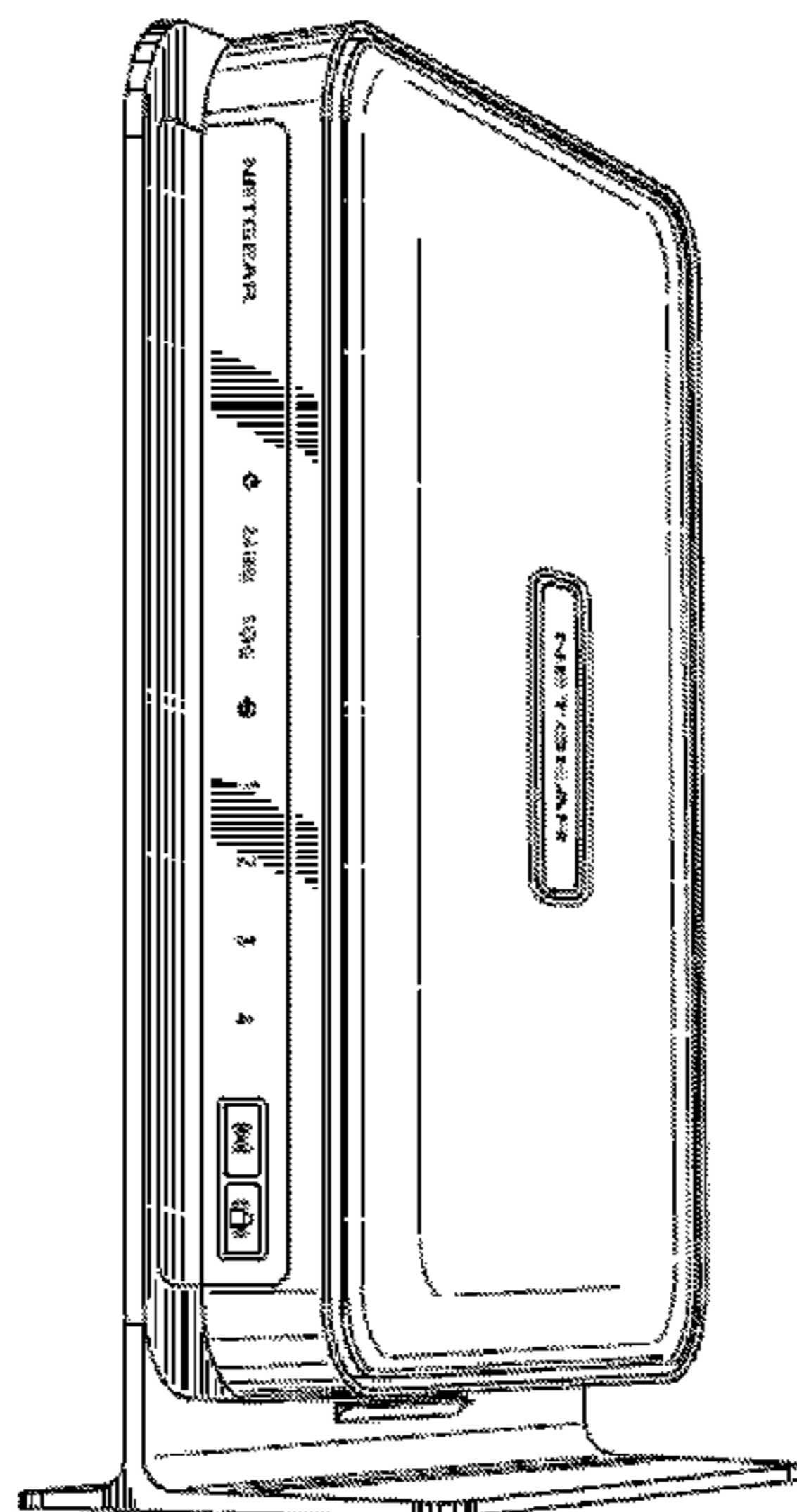
FIG. 4 is a right side perspective view without a stand thereof;

FIG. 5 is a left side perspective view without a stand thereof;

FIG. 6 is a front perspective view without a stand thereof; and,

FIG. 7 is a perspective view with a stand in vertical view thereof.

1 Claim, 7 Drawing Sheets



US D649,151 S

Page 2

U.S. PATENT DOCUMENTS

D568,312 S * 5/2008 Wang et al. D14/356
D592,648 S * 5/2009 L'Henaff et al. D14/240
D599,754 S * 9/2009 Xie et al. D14/125
D603,834 S * 11/2009 Lyman et al. D14/155
D609,687 S * 2/2010 Lyman et al. D14/155
7,697,550 B2 * 4/2010 Rada et al. 370/401
2002/0131233 A1 * 9/2002 Hsu 361/685

OTHER PUBLICATIONS

DataStor Technology Co. Ltd @ Global Sources Online—Supplier
Homepage, [online], [retrieved on Nov. 14, 2006]. Retrieved from the
Internet <URL: http://datastor.manufacturer.globalsources.com/si/6008800307...Compact-Case-for/product_id-1002430427/action-GetProduct.htm>.*

* cited by examiner

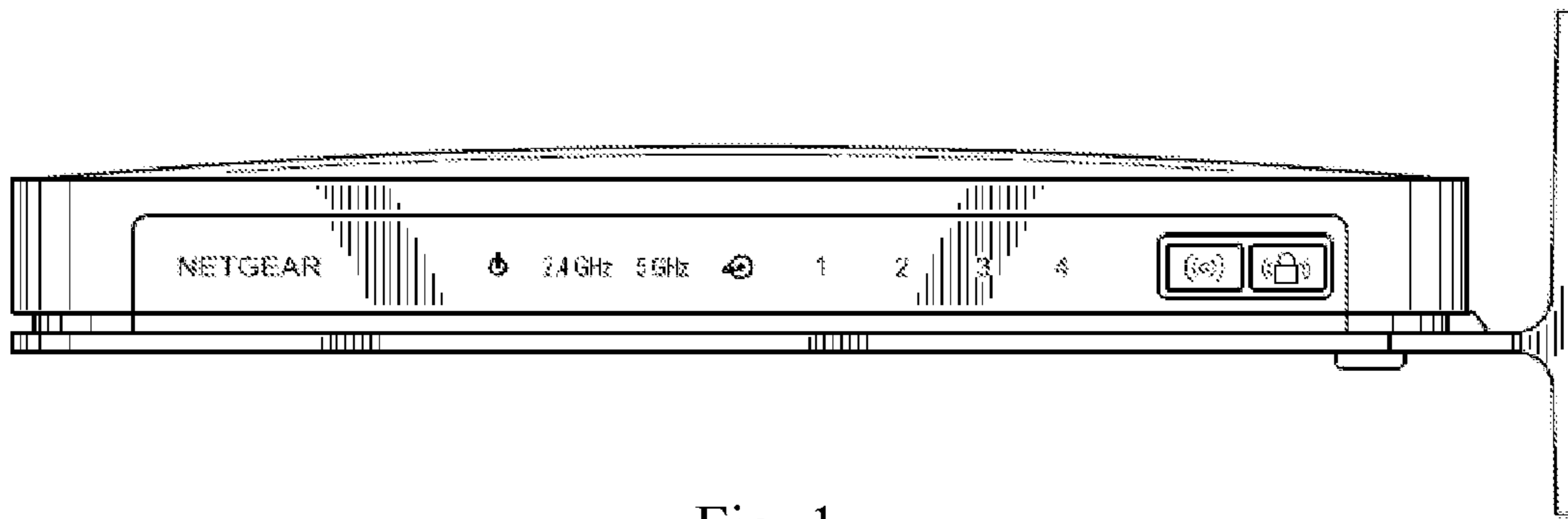


Fig. 1

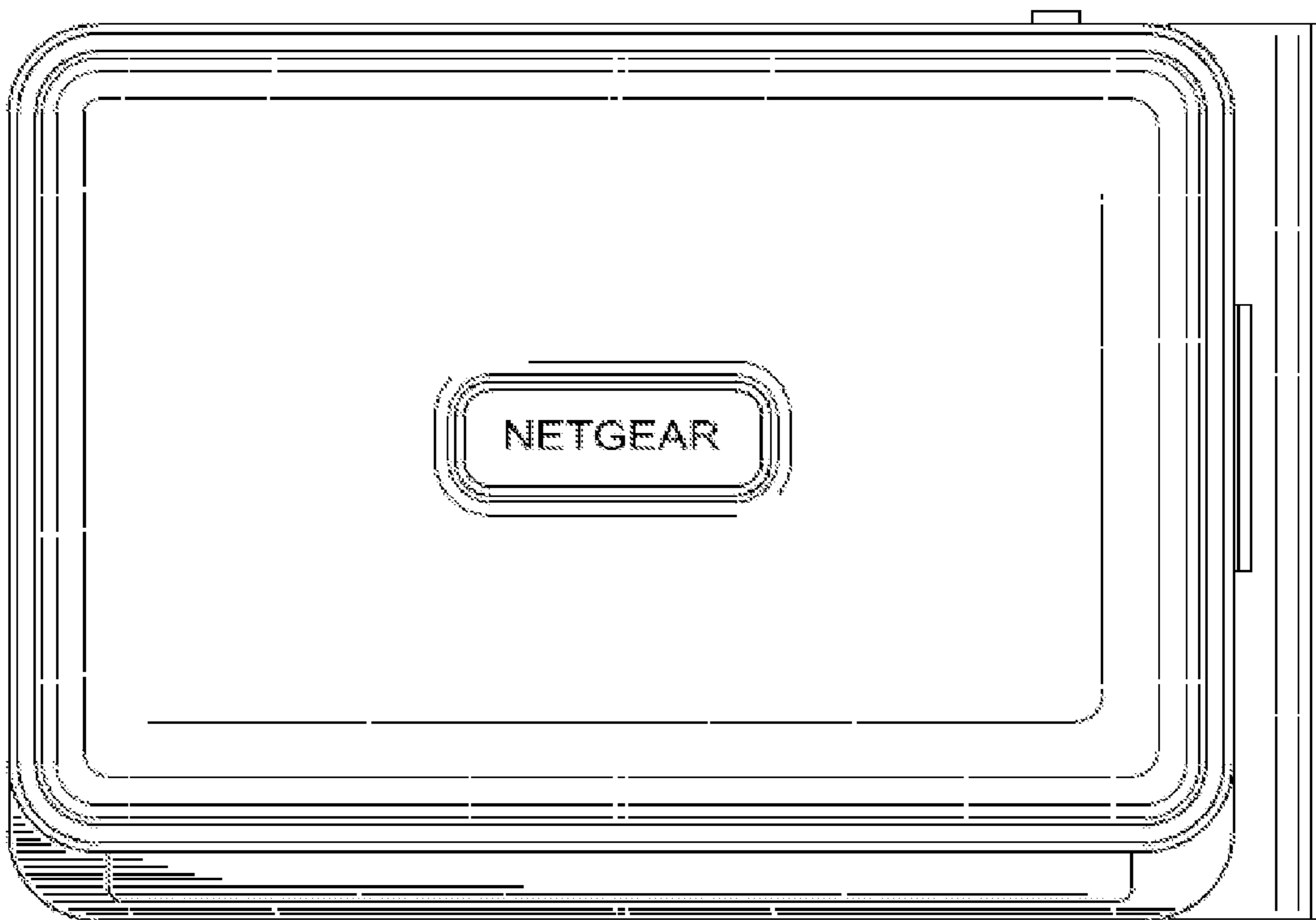


Fig. 2

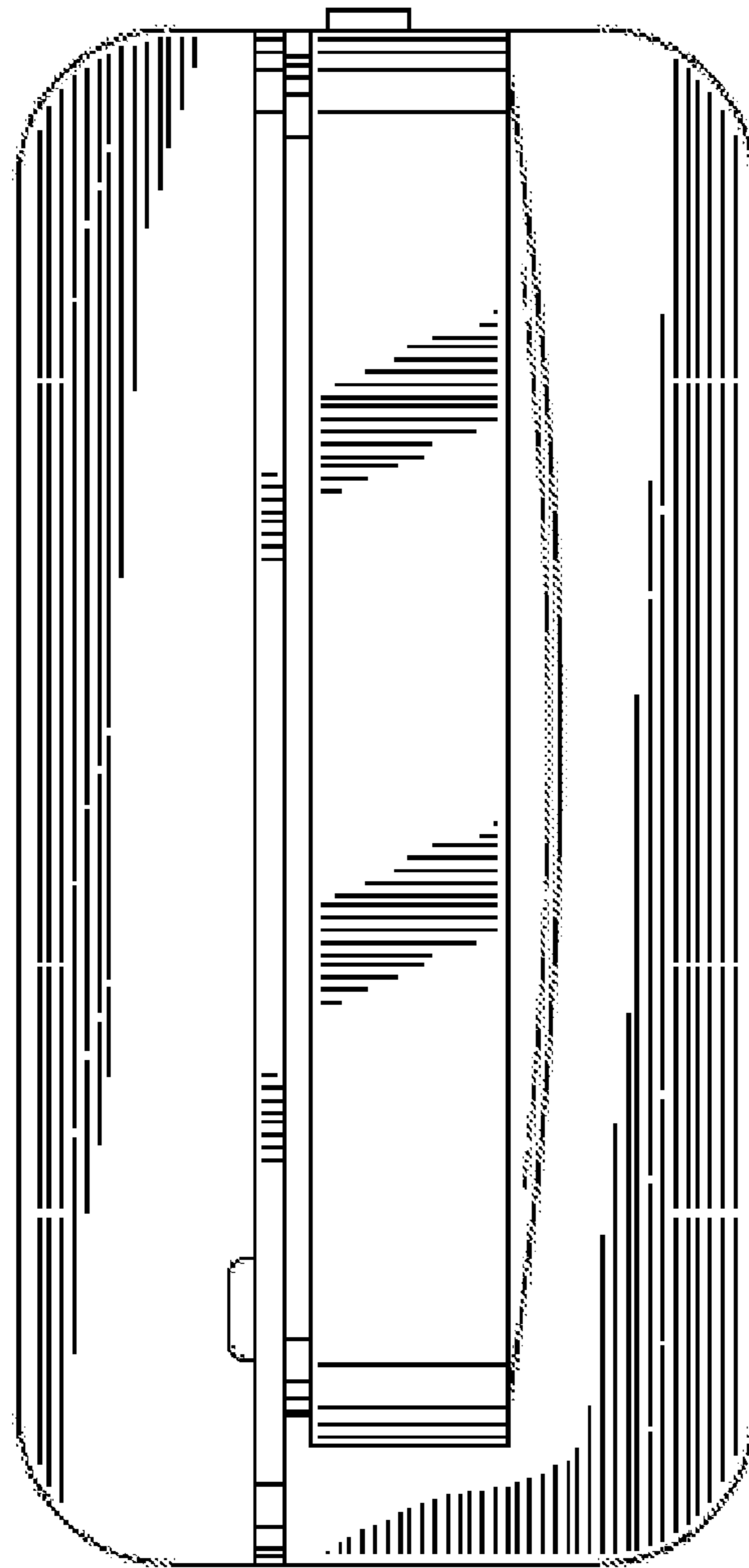


Fig. 3

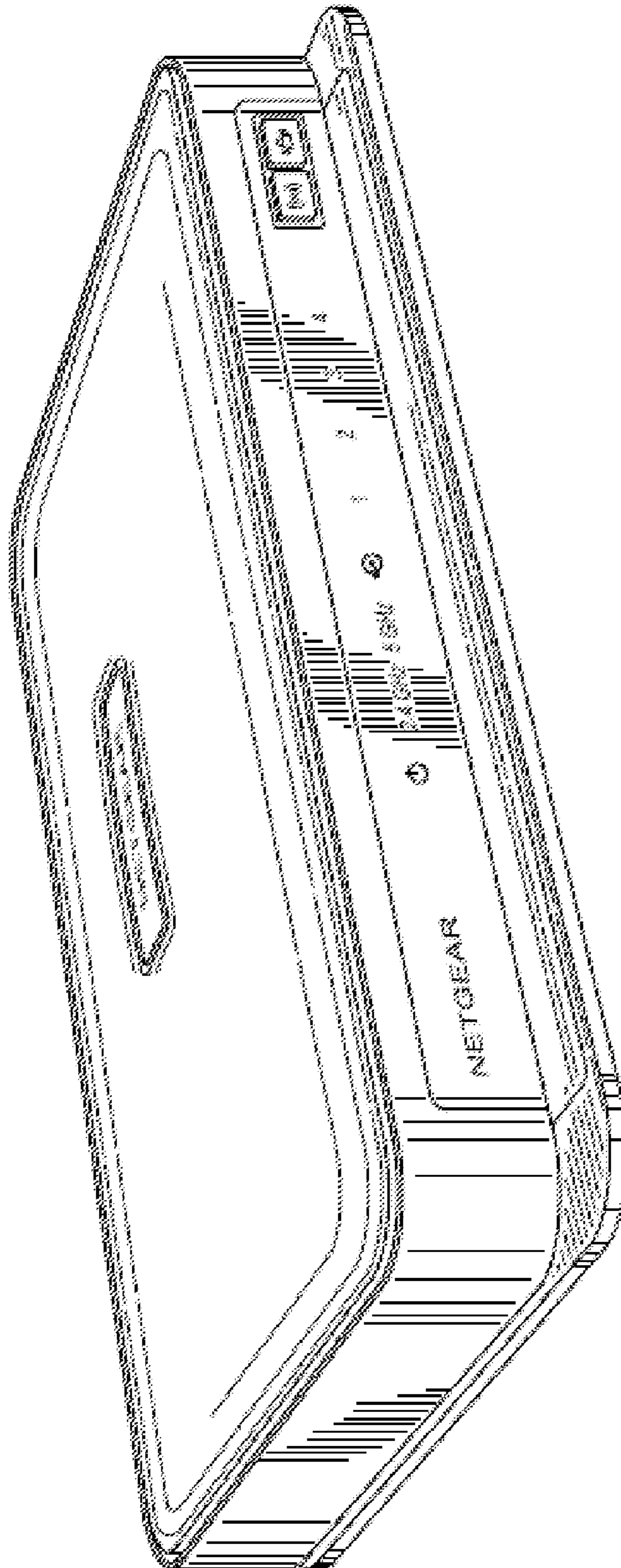


Fig. 4

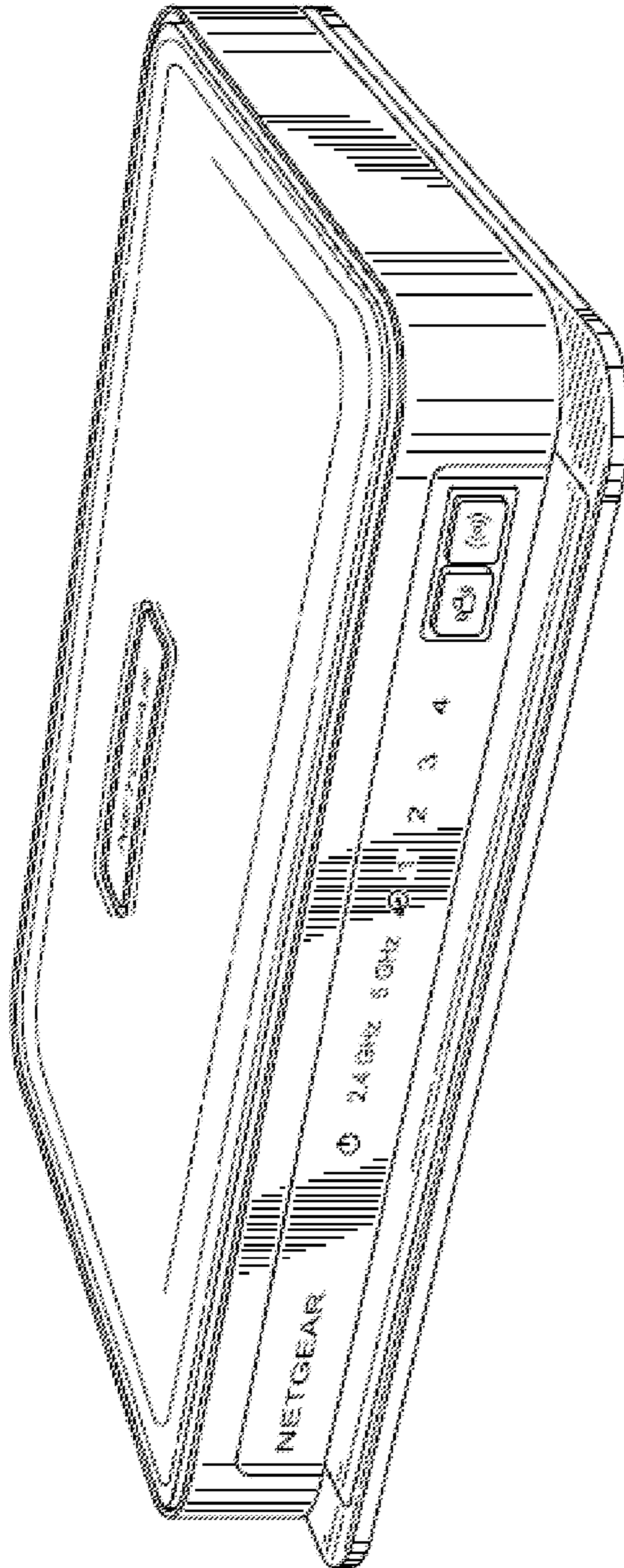


Fig. 5

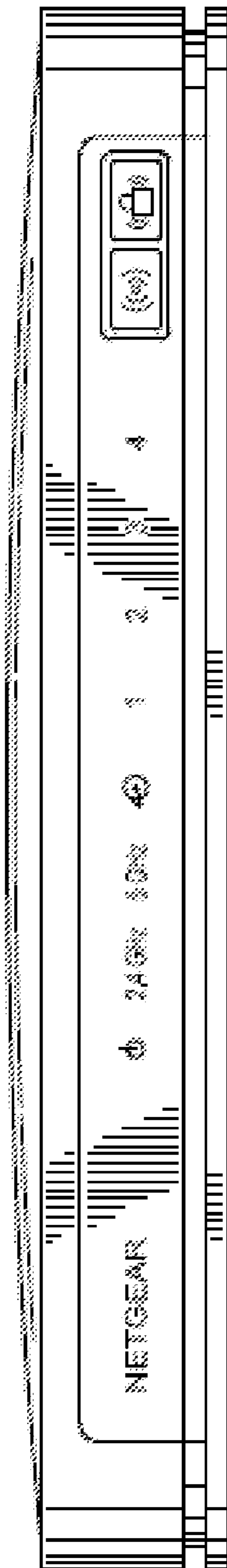


Fig. 6

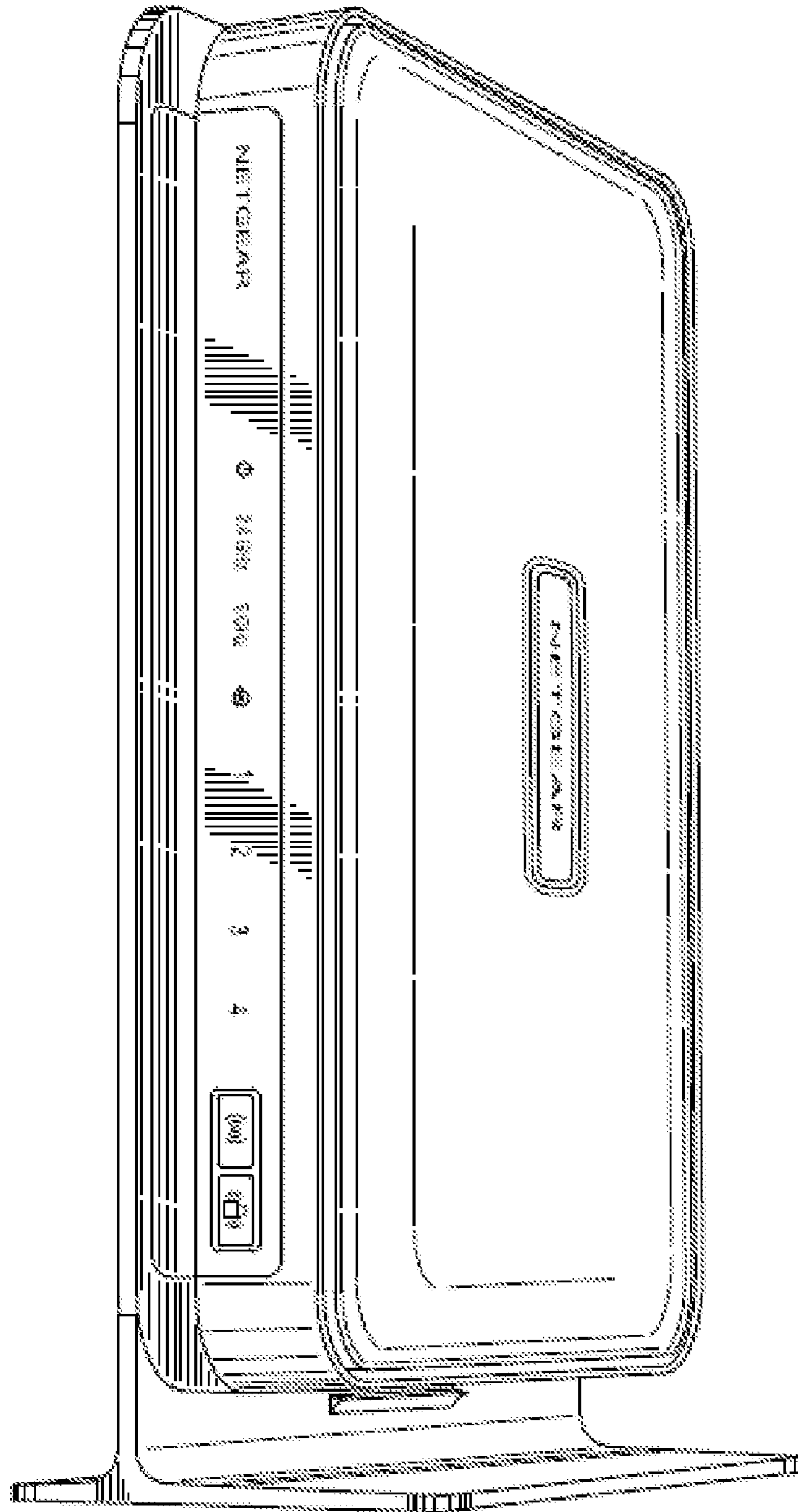


Fig. 7