



US00D649148S

(12) **United States Design Patent**
Gengoux

(10) **Patent No.:** **US D649,148 S**

(45) **Date of Patent:** **** Nov. 22, 2011**

(54) **DATA PROCESSING EQUIPMENT**

(75) Inventor: **Eric Gengoux**, Thiais (FR)

(73) Assignee: **Dane-Elec Memory**, Bagnolet (FR)

(**) Term: **14 Years**

(21) Appl. No.: **29/366,999**

(22) Filed: **Aug. 2, 2010**

(30) **Foreign Application Priority Data**

Feb. 1, 2010 (EM) 001192892-002

(51) **LOC (9) Cl.** **14-02**

(52) **U.S. Cl.** **D14/300; D14/308**

(58) **Field of Classification Search** D14/349-356,
D14/300, 301, 308, 362, 364; D13/162,
D13/184, 199; 312/223.1-223.2; 360/99.01-99.12;
369/34.01, 36.01; 361/679.01, 679.6, 679.22
See application file for complete search history.

(56) **References Cited**

U.S. PATENT DOCUMENTS

- 4,319,794 A * 3/1982 Bachor 312/329
- 5,441,414 A * 8/1995 Chretien 434/307 R
- D372,700 S * 8/1996 Schauwecker et al. D14/312
- D453,755 S * 2/2002 Eleby D14/308
- D458,911 S * 6/2002 Kataoka D14/129

- D506,465 S * 6/2005 Geeng D14/308
- D514,556 S * 2/2006 Rising D14/300
- D561,168 S * 2/2008 Song D14/192
- D598,906 S * 8/2009 Chiba et al. D14/240
- D602,019 S * 10/2009 Wang et al. D14/356

* cited by examiner

Primary Examiner — Freda Nunn

(74) *Attorney, Agent, or Firm* — Young & Thompson

(57) **CLAIM**

The ornamental design for a data processing equipment, as shown and described..

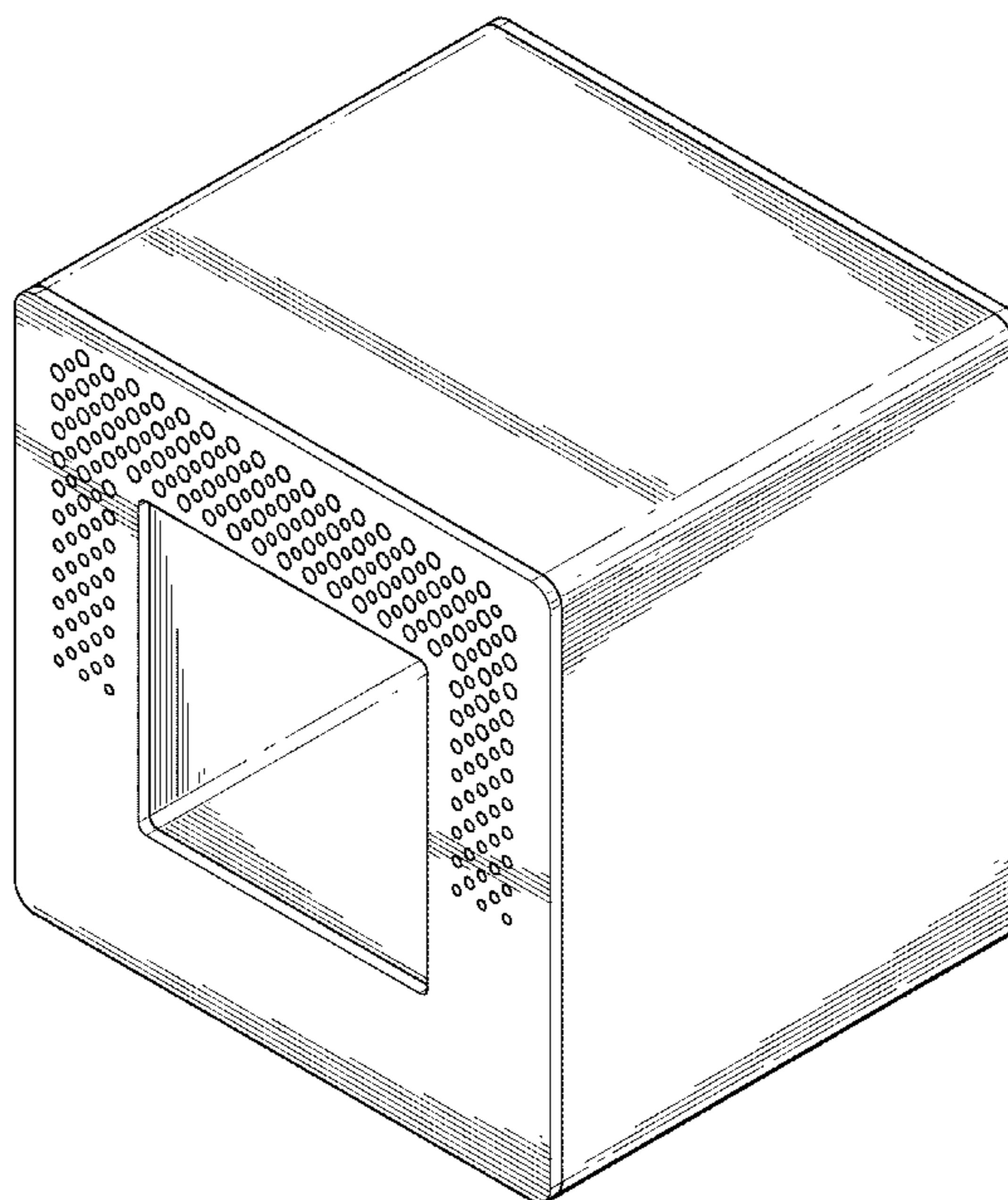
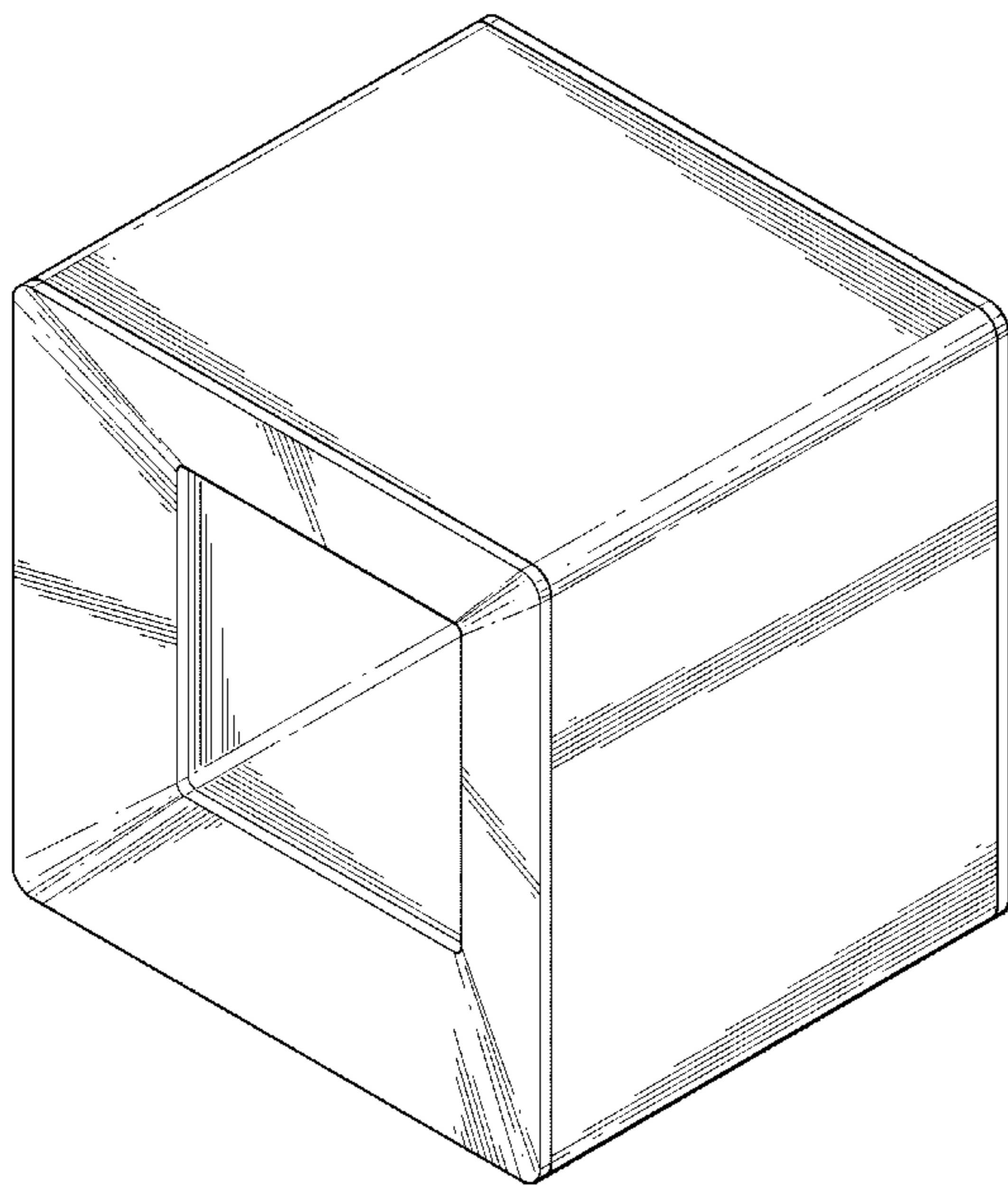
DESCRIPTION

FIG. 1 is a front elevational view for a data processing equipment showing my new design;
 FIG. 2 is a rear elevational view thereof;
 FIG. 3 is a right side elevational view thereof;
 FIG. 4 is a left side elevational view thereof;
 FIG. 5 is a top plan view thereof;
 FIG. 6 is a bottom plan view thereof;
 FIG. 7 is a perspective view from the front thereof; and,
 FIG. 8 is a perspective view from the back thereof.

As shown, the design comprises a tunnel-like passage from the front face to the back face, said passage being open at both ends.

The claimed data processing equipment is used for processing and storing computer data.

1 Claim, 8 Drawing Sheets



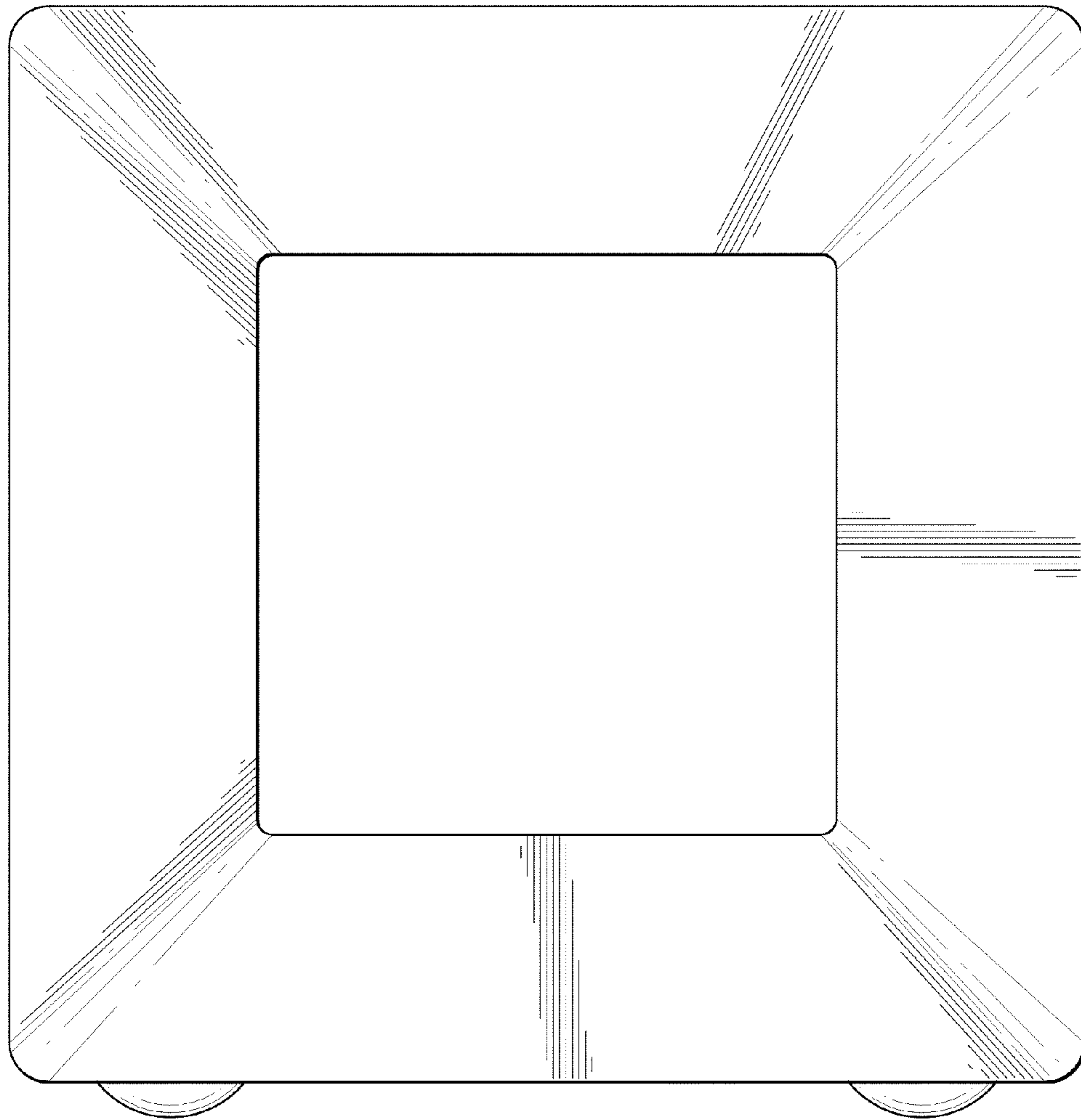


FIG. 1

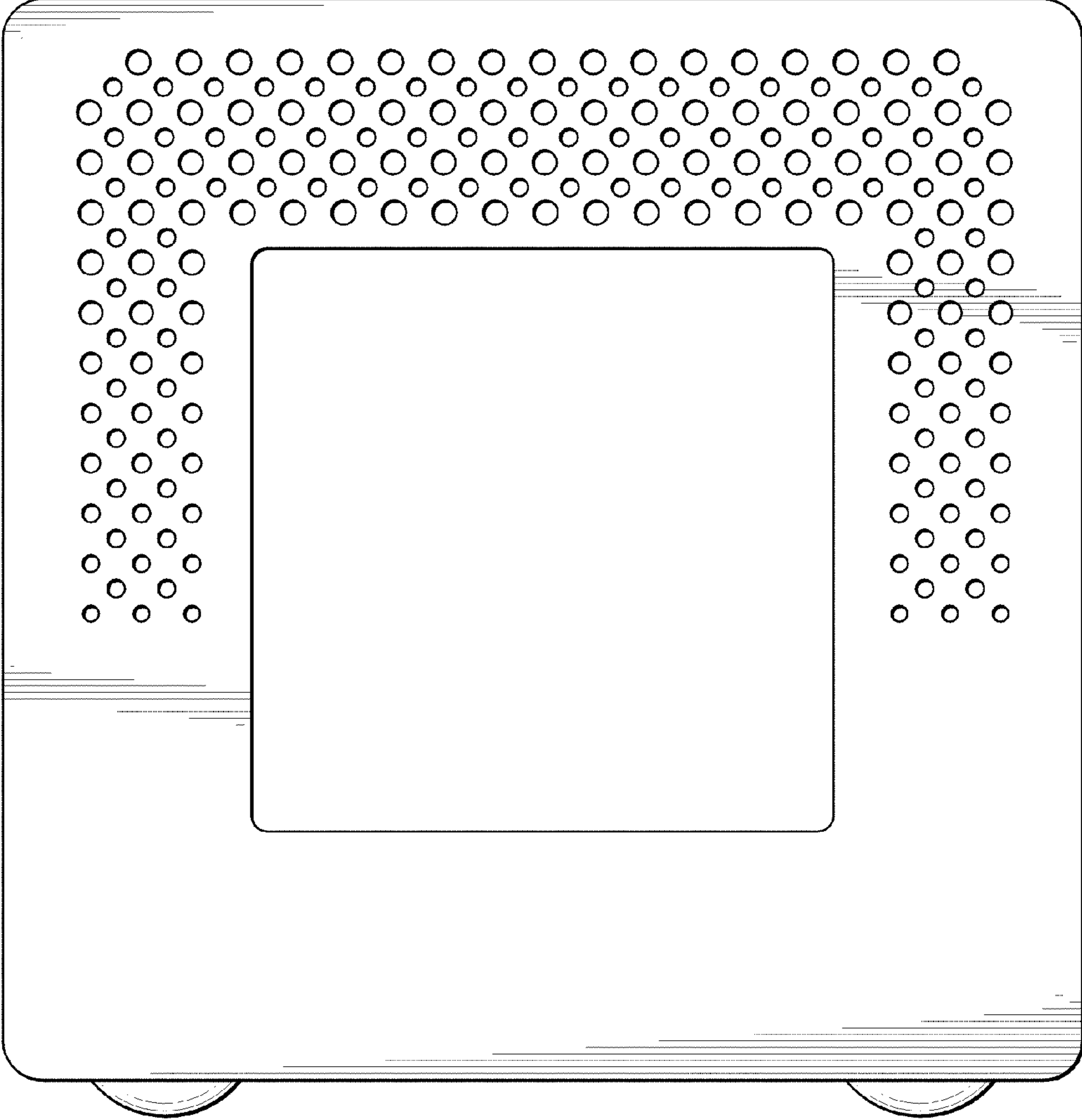


FIG. 2

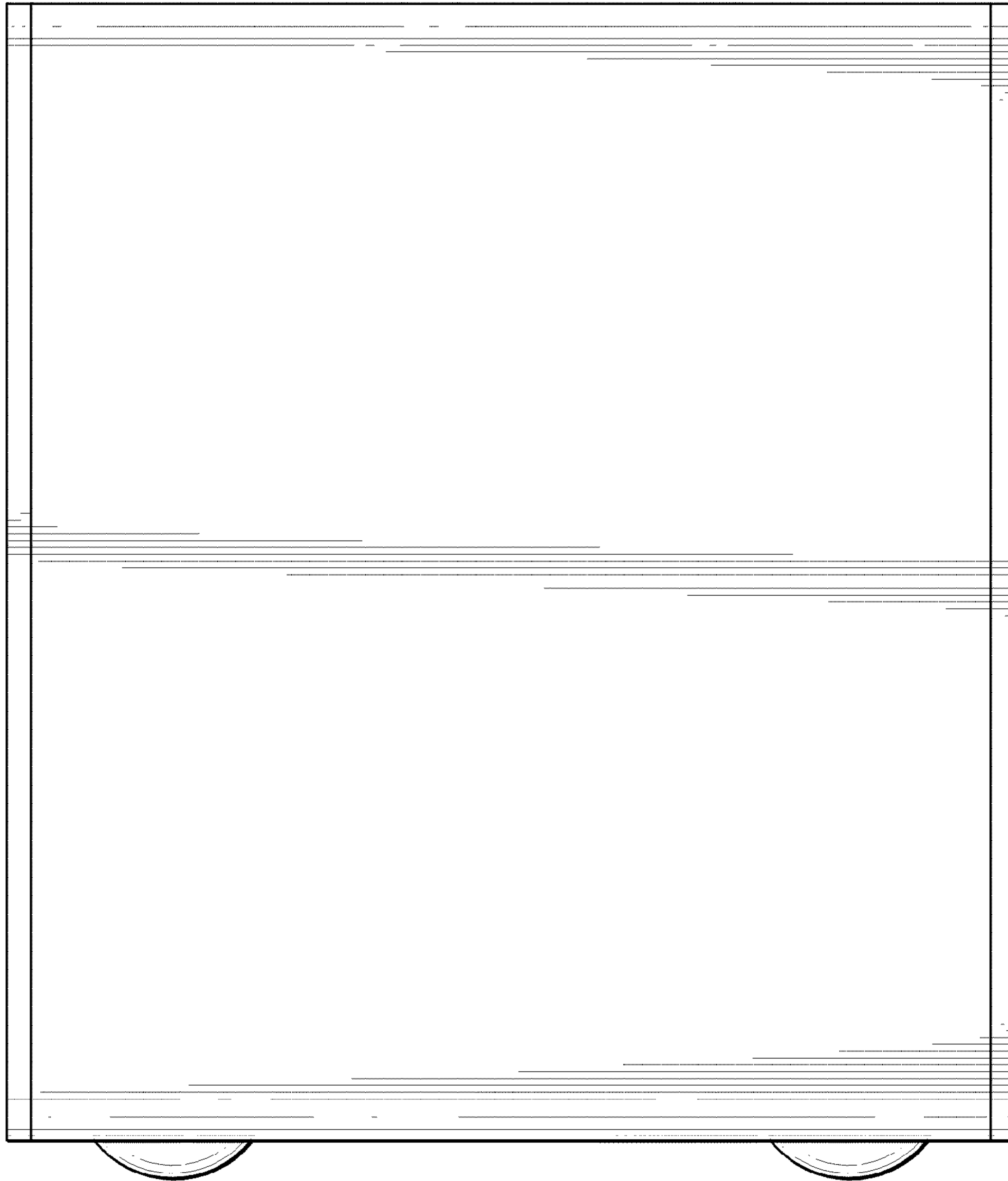


FIG. 3

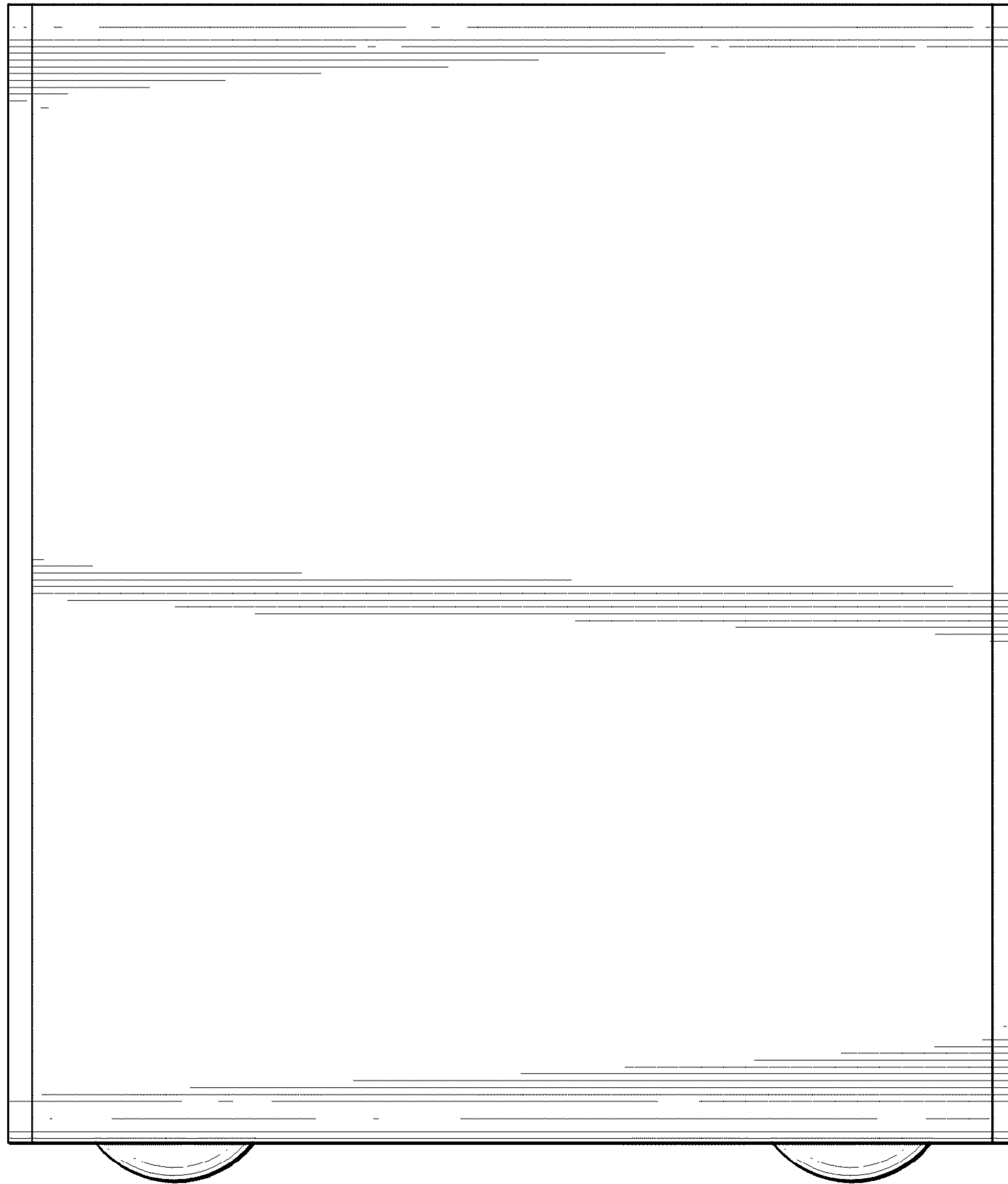


FIG. 4



FIG. 5

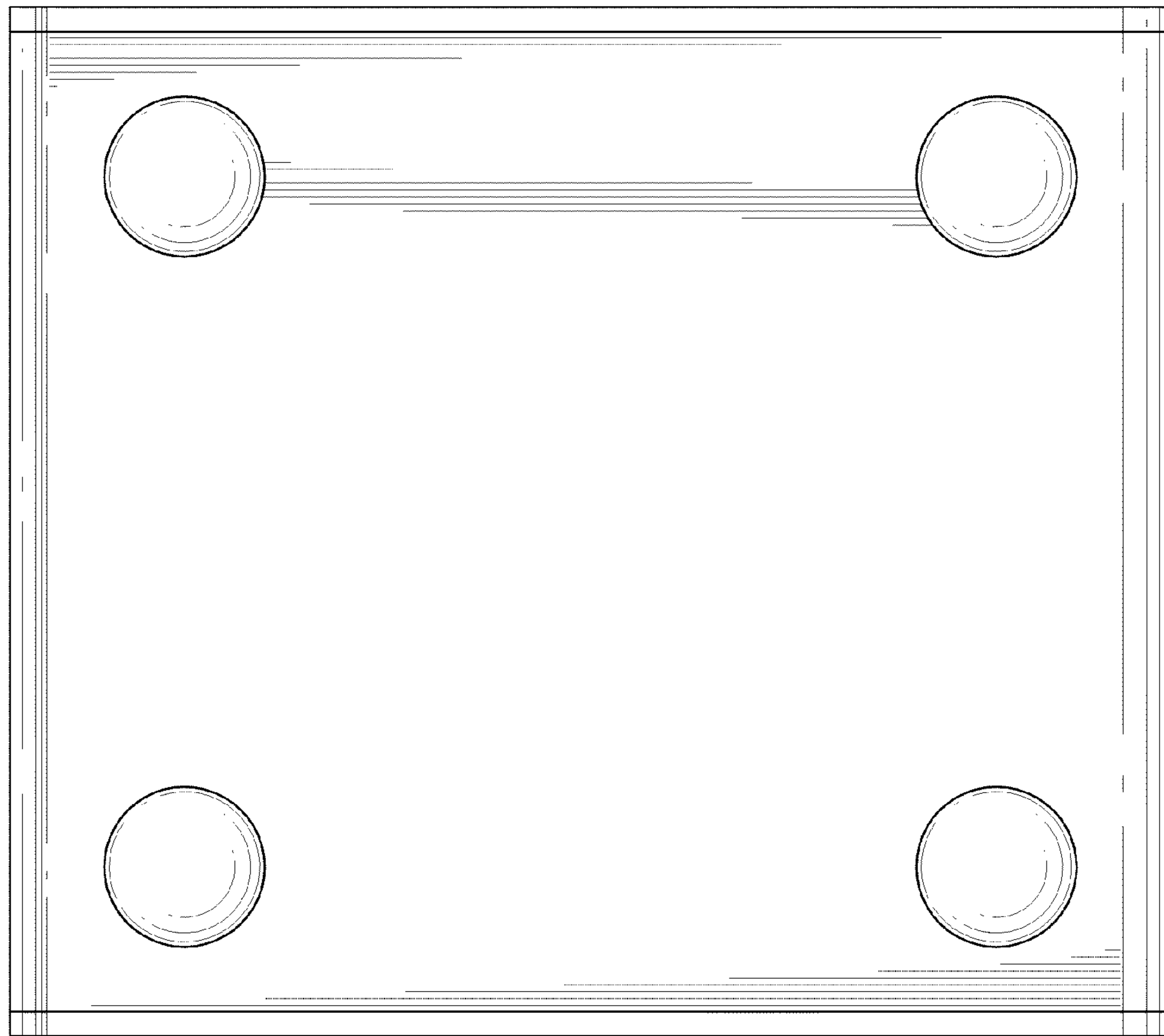


FIG. 6

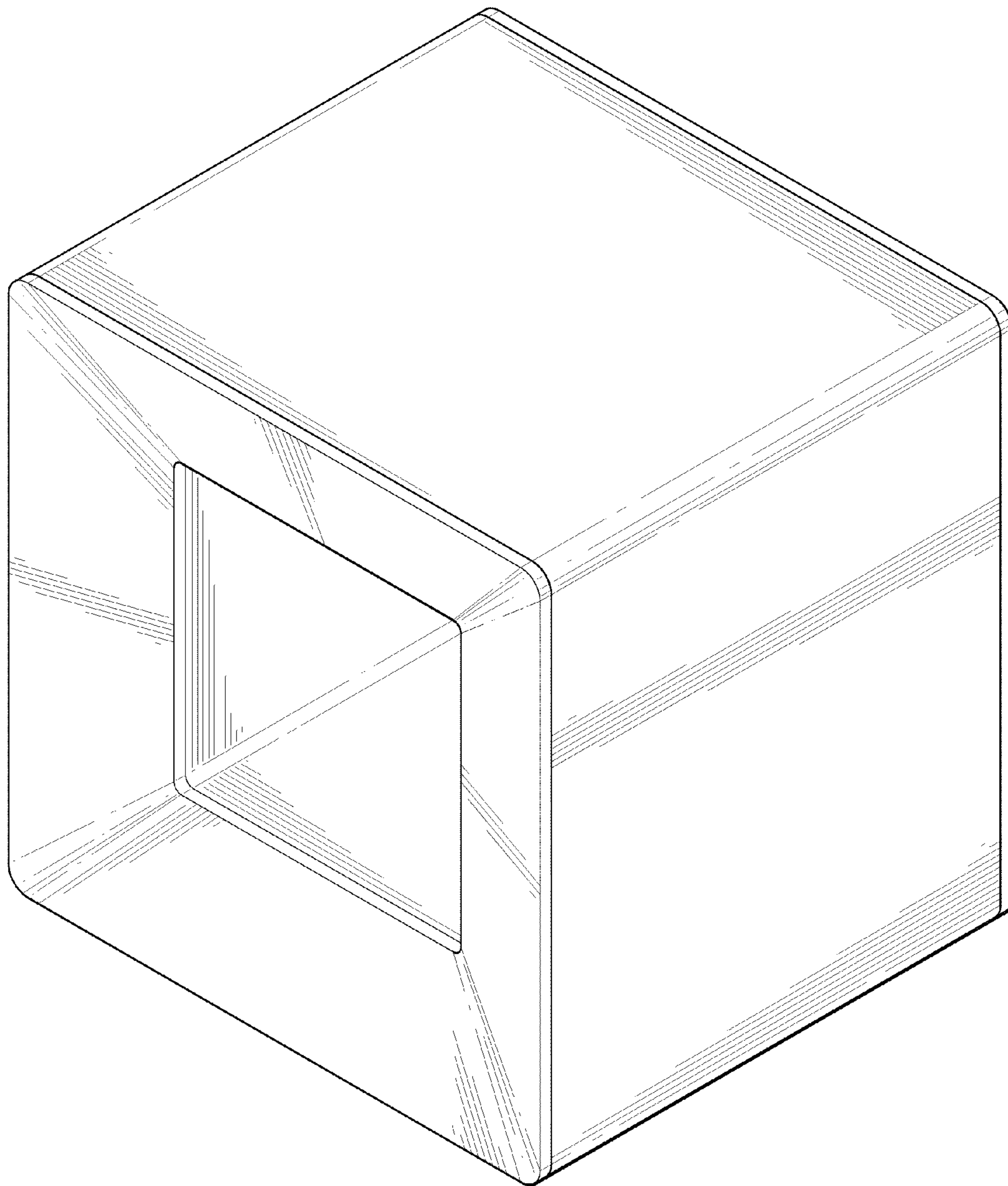


FIG. 7

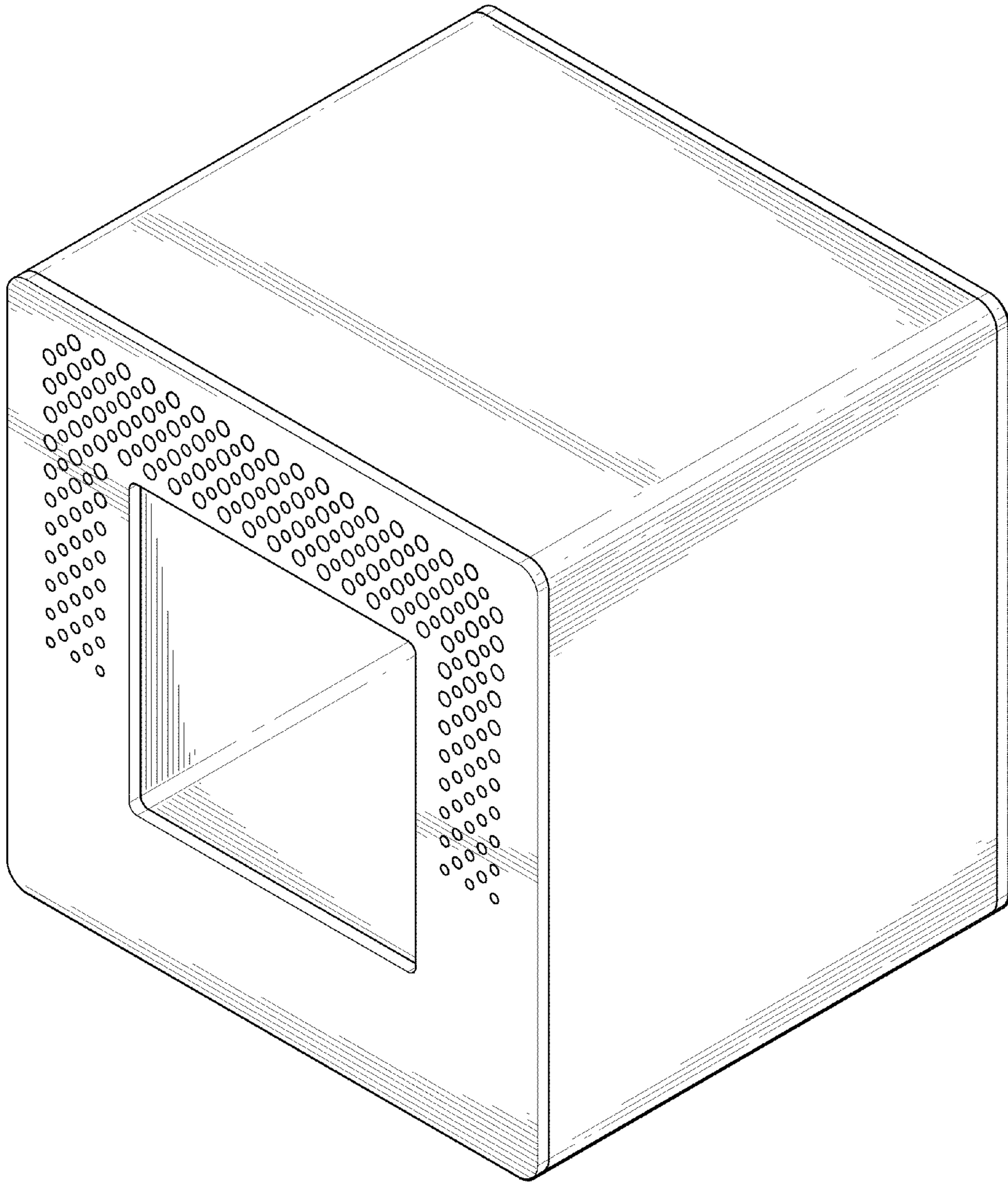


FIG. 8