



US00D649146S

(12) **United States Design Patent**  
**Soetejo et al.**

(10) **Patent No.:** **US D649,146 S**

(45) **Date of Patent:** **\*\* Nov. 22, 2011**

(54) **APPARATUS FOR COMMUNICATIONS**

D464,333 S \* 10/2002 Rath ..... D14/149

\* cited by examiner

(75) Inventors: **Juarsa Soetejo**, Singapore (SG); **Kar Choon Ng**, Singapore (SG); **Boon Keat Eddy Toh**, Singapore (SG)

*Primary Examiner* — Susan Bennett Hattan

*Assistant Examiner* — Barbara B Lohr

(73) Assignee: **Creative Technology Ltd**, Singapore (SG)

(57) **CLAIM**

The ornamental design for an apparatus for communications, substantially as shown and described.

(\*\*) Term: **14 Years**

(21) Appl. No.: **29/355,073**

**DESCRIPTION**

(22) Filed: **Feb. 2, 2010**

(51) **LOC (9) Cl.** ..... **14-03**

(52) **U.S. Cl.** ..... **D14/253**

(58) **Field of Classification Search** ..... D14/140,  
D14/140.8, 41, 141.1, 142, 149, 217, 240,  
D14/242, 243, 253, 256, 356, 357, 358, 432,  
D14/433; 379/419, 420.01–420.04, 438.01–428.04,  
379/434, 440, 441; 455/90, 550–575; D13/110,  
D13/123, 133, 170, 184; 361/600, 622, 684,  
361/702, 724–728

See application file for complete search history.

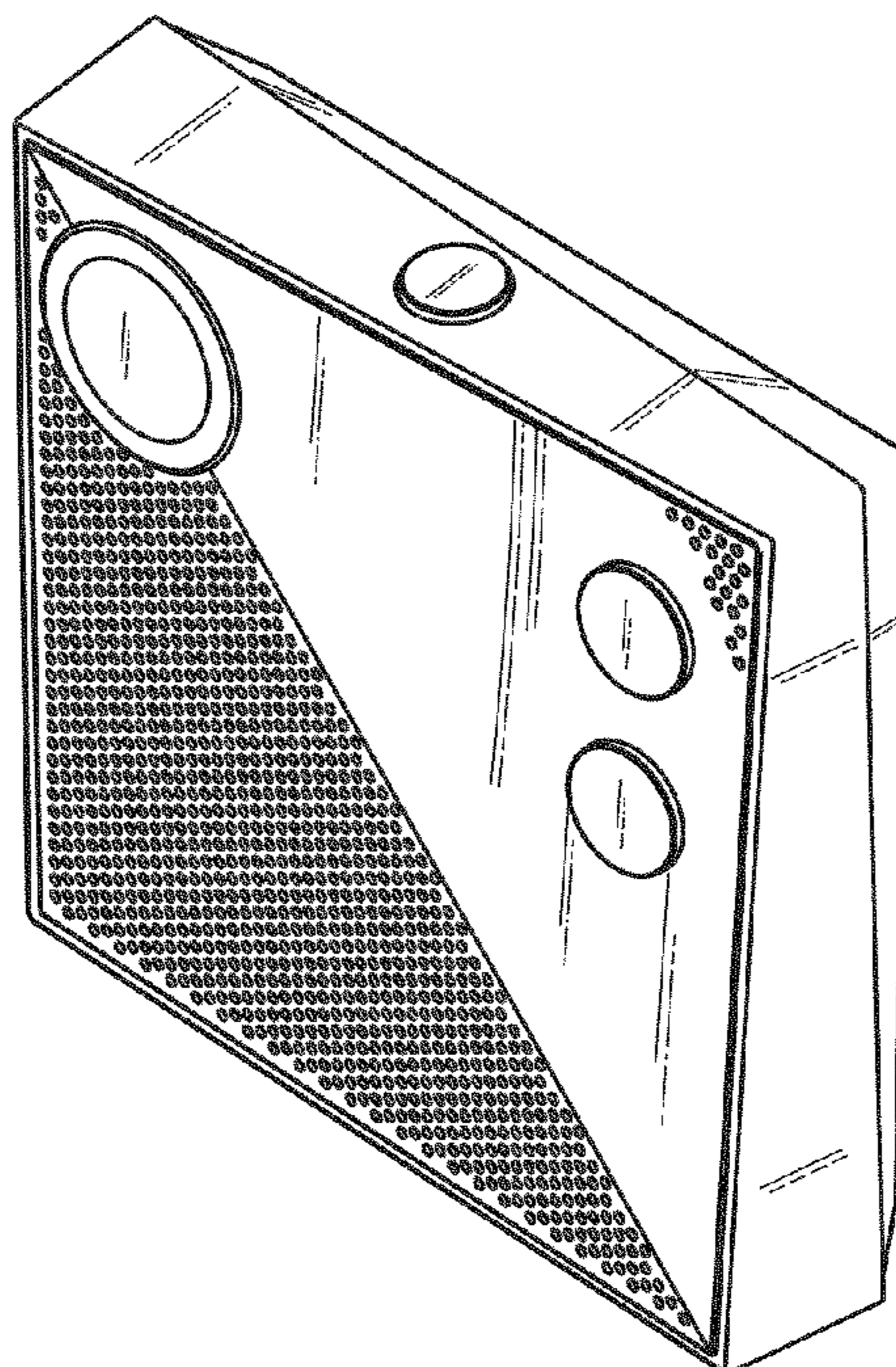
FIG. 1 is a perspective view of the apparatus for communications in accordance with the present design;  
FIG. 2 is a perspective view of the apparatus for communications in an alternate position from FIG. 1;  
FIG. 3 is a rear perspective view of the apparatus for communications shown in FIG. 1;  
FIG. 4 is a front view of the apparatus for communications shown in FIG. 1;  
FIG. 5 is rear view of the apparatus for communications shown in FIG. 2;  
FIG. 6 is a right side view of the apparatus for communications shown in FIG. 2;  
FIG. 7 is a left side view of the apparatus for communications shown in FIG. 2;  
FIG. 8 is a top view of the apparatus for communications shown in FIG. 1; and,  
FIG. 9 is a bottom view of the apparatus for communications shown in FIG. 1.

(56) **References Cited**

**U.S. PATENT DOCUMENTS**

D290,006	S	*	5/1987	Frost et al.	.....	D14/243
D306,860	S	*	3/1990	Dickson	.....	D14/140.8
D307,274	S	*	4/1990	Sasaki et al.	.....	D14/243
D319,439	S	*	8/1991	Danielson et al.	.....	D14/141.1
D326,267	S	*	5/1992	Weiser et al.	.....	D14/243

**1 Claim, 4 Drawing Sheets**



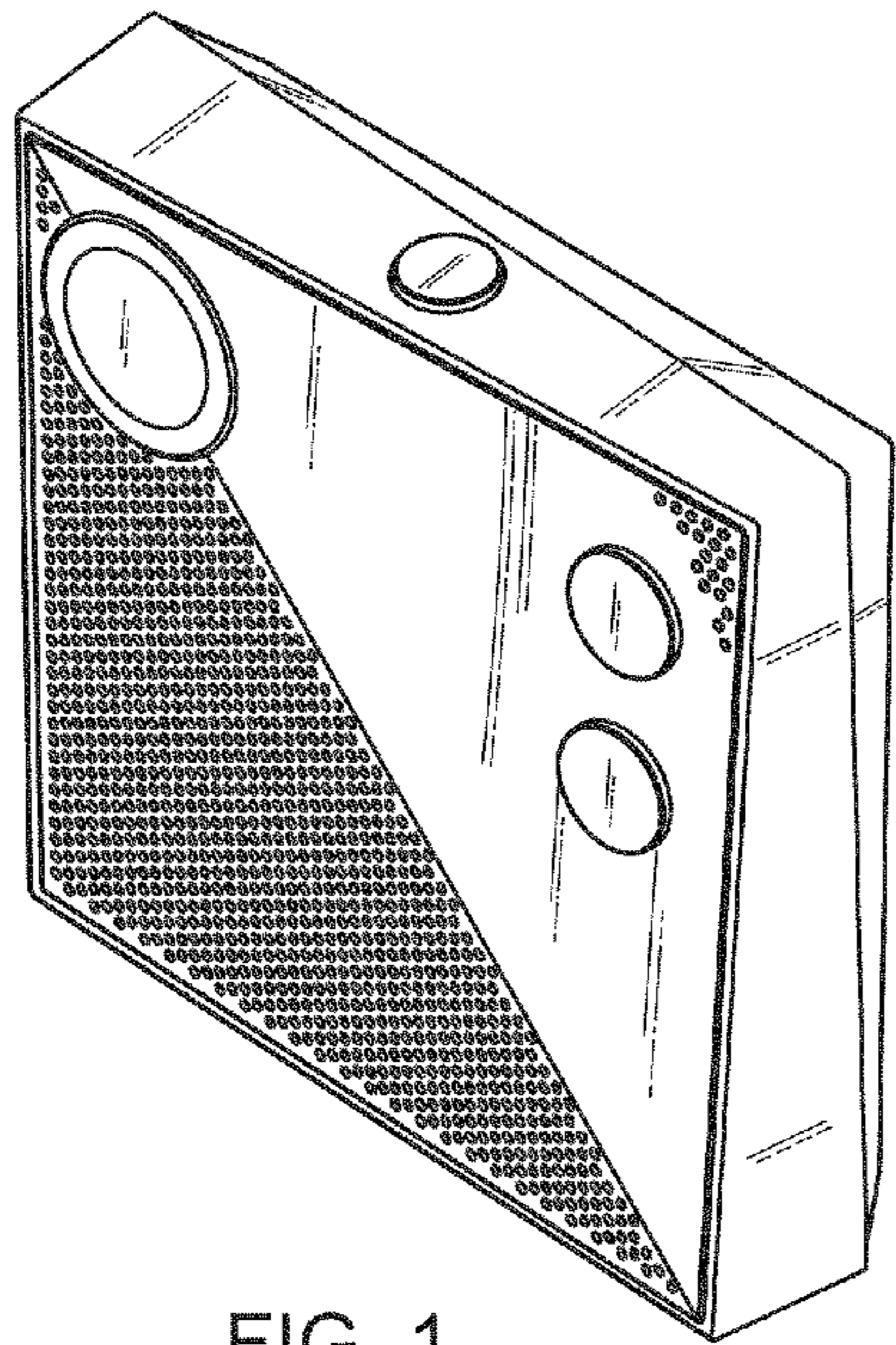


FIG. 1

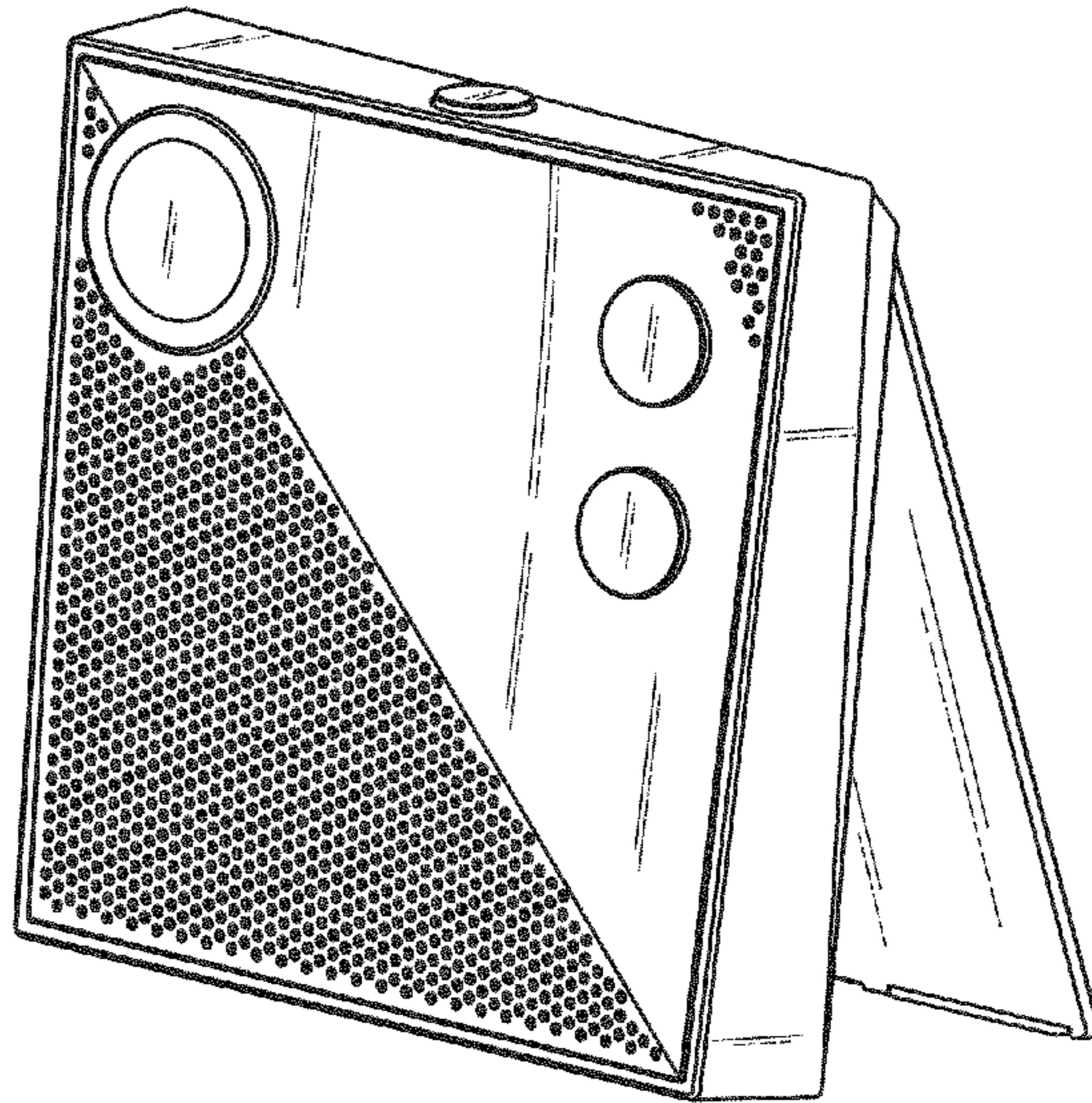


FIG. 2

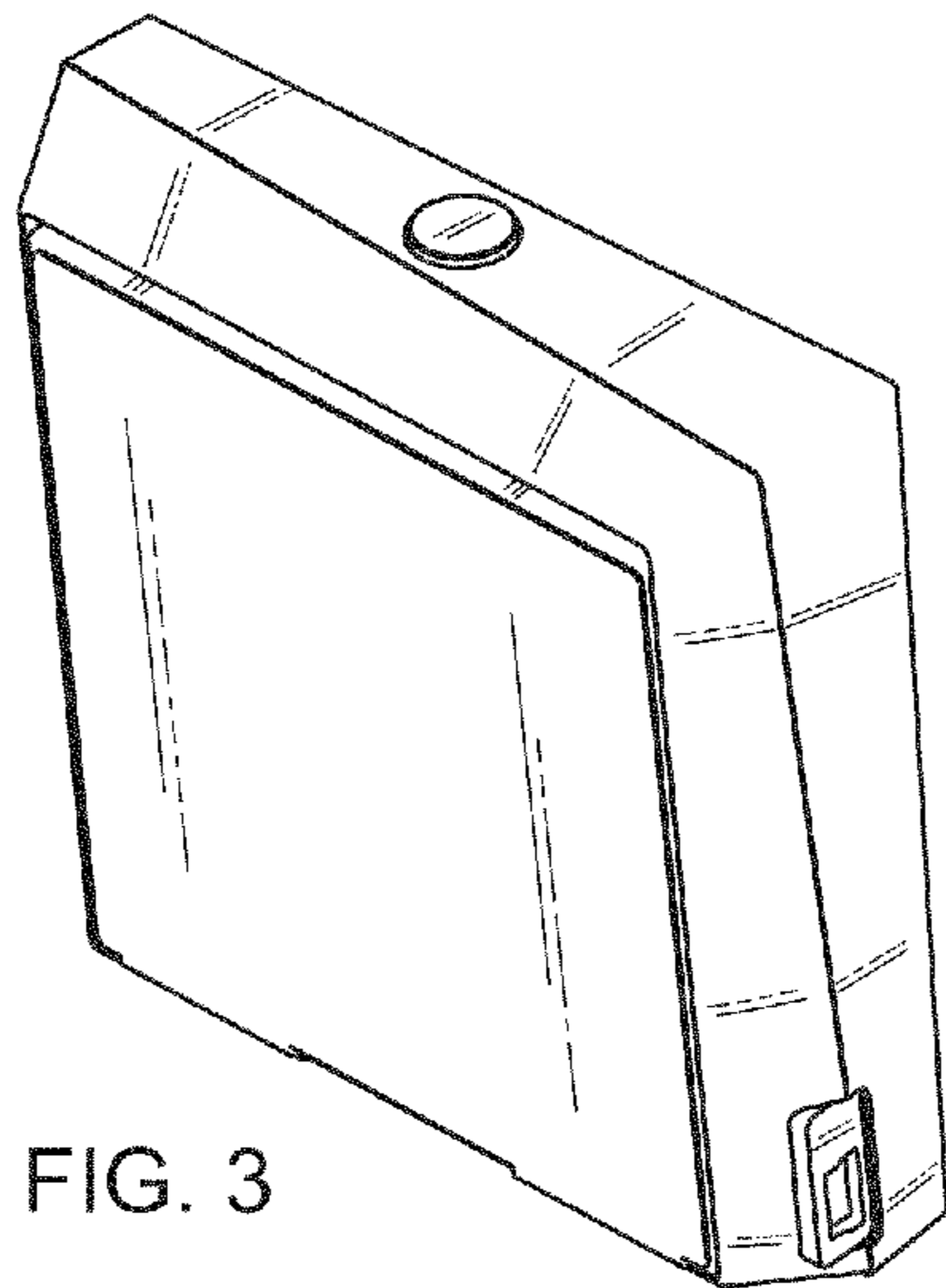


FIG. 3

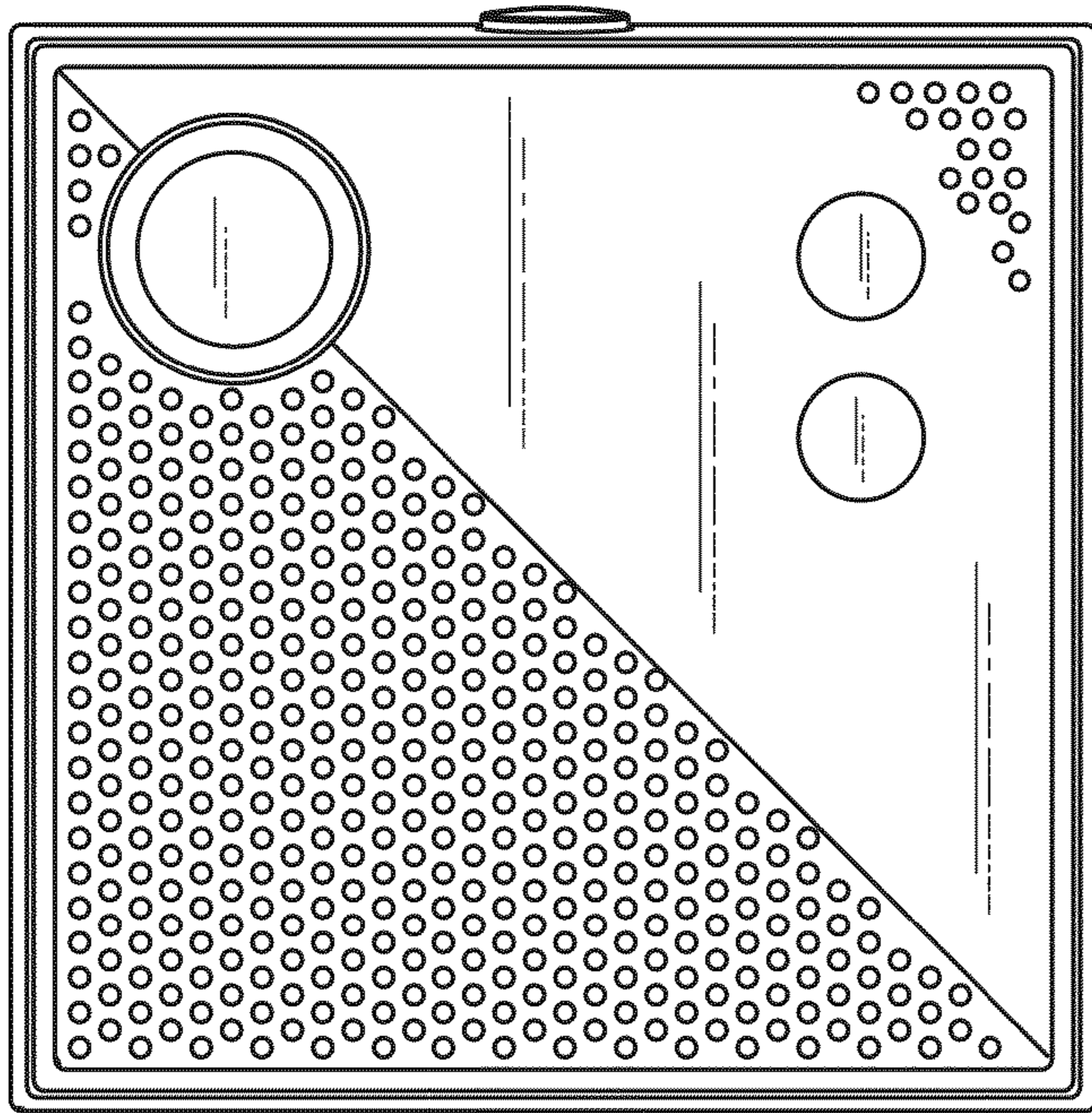


FIG. 4

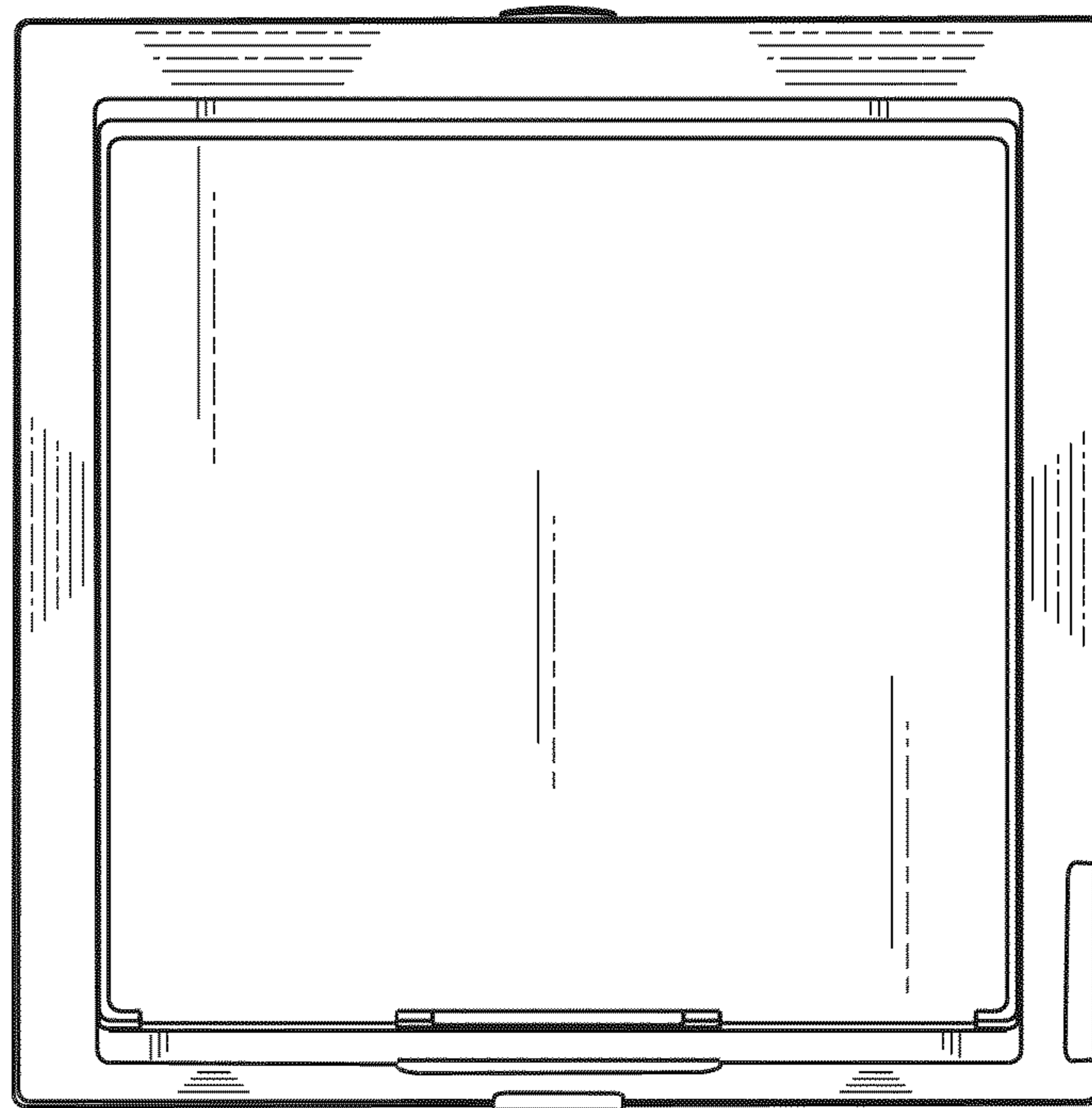


FIG. 5

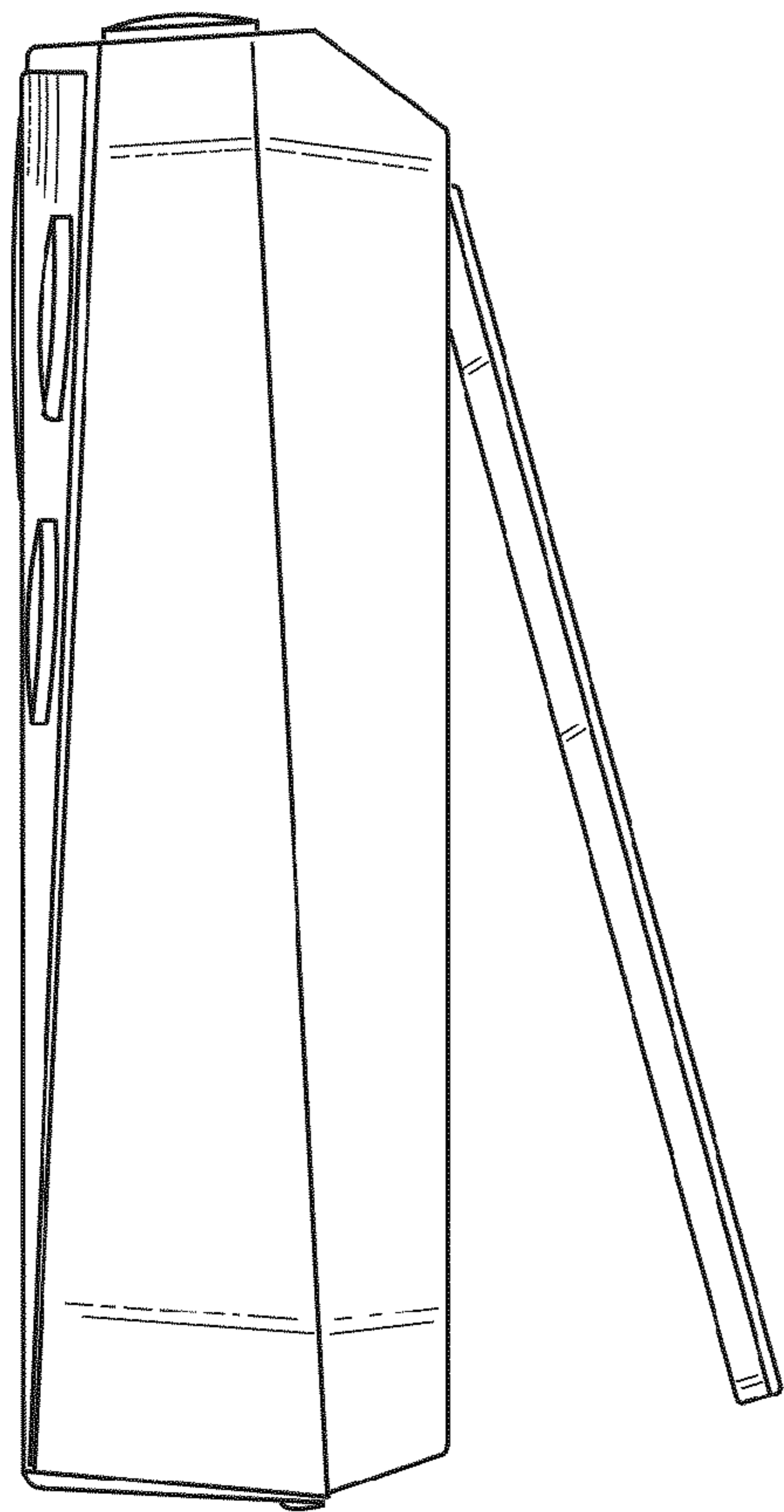


FIG. 6

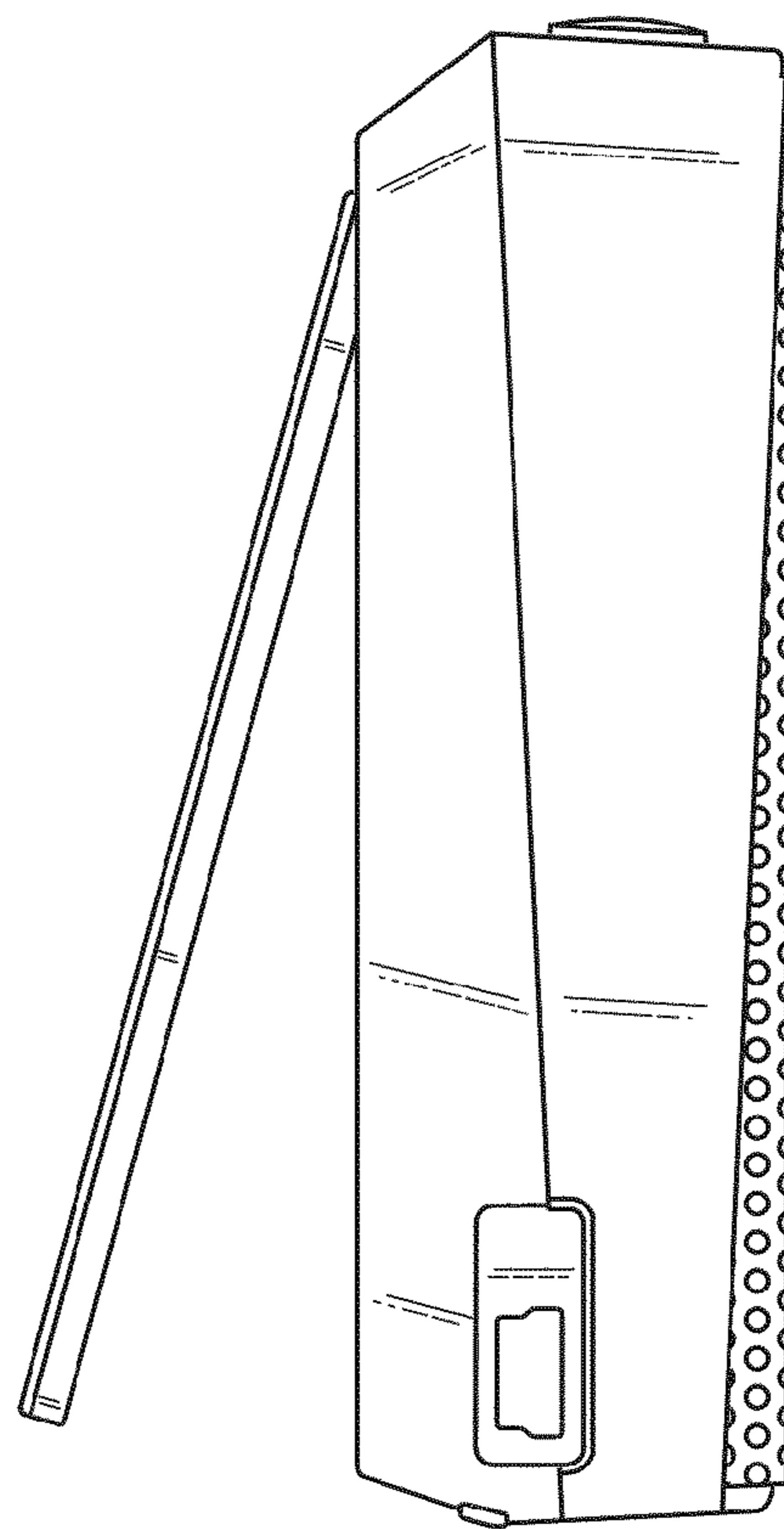


FIG. 7

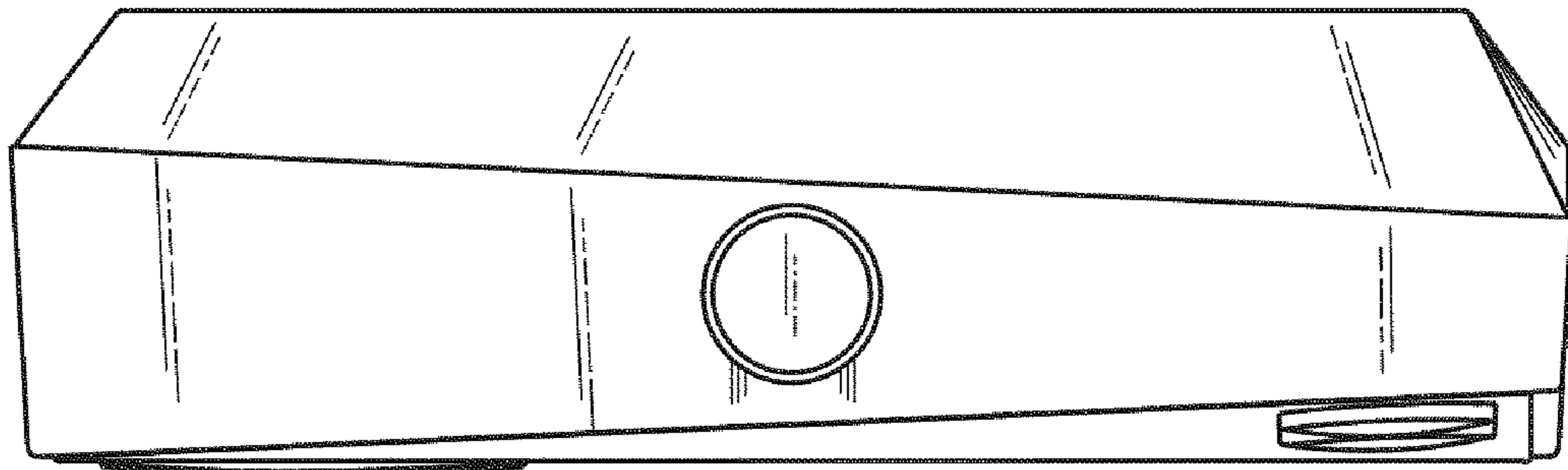


FIG. 8

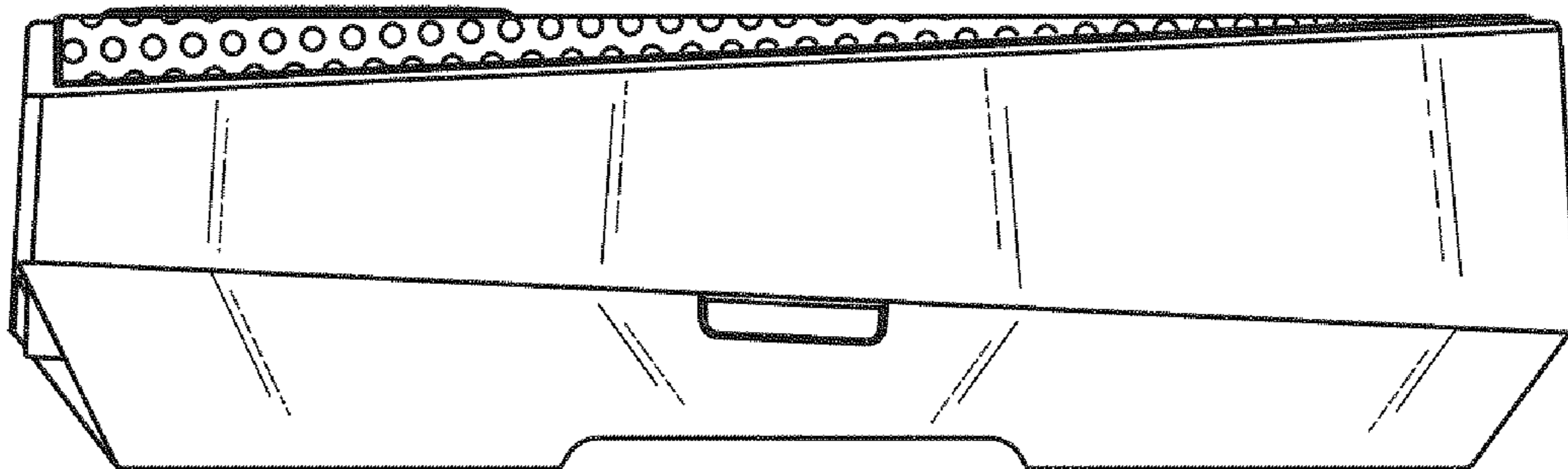


FIG. 9