



US00D649142S

(12) **United States Design Patent**
Sweet

(10) **Patent No.:** **US D649,142 S**

(45) **Date of Patent:** **** Nov. 22, 2011**

(54) **CASE FOR AN ELECTRONIC DEVICE**

(75) **Inventor:** **Kenneth Sweet**, San Francisco, CA (US)

(73) **Assignee:** **Barnes & Noble, Inc.**, New York, NY (US)

(**) **Term:** **14 Years**

(21) **Appl. No.:** **29/345,603**

(22) **Filed:** **Oct. 19, 2009**

(51) **LOC (9) Cl.** **14-03**

(52) **U.S. Cl.** **D14/250**

(58) **Field of Classification Search** D14/138,
D14/138 AA, 156, 250, 253, 440, 496; D3/201,
D3/215, 218, 226, 269, 272, 273; 206/305,
206/320; 455/42, 90, 92, 575.8; D21/333;
D8/25

See application file for complete search history.

(56) **References Cited**

U.S. PATENT DOCUMENTS

- D613,282 S * 4/2010 Richardson et al. D14/250
- D615,967 S * 5/2010 Richardson et al. D14/250
- D620,487 S * 7/2010 Richardson et al. D14/250
- D636,387 S * 4/2011 Willes et al. D14/250

- D637,588 S * 5/2011 Richardson et al. D14/250
- D637,591 S * 5/2011 Willes et al. D14/250
- D641,013 S * 7/2011 Richardson et al. D14/250

* cited by examiner

Primary Examiner — Susan Bennett Hattan

Assistant Examiner — Barbara B Lohr

(74) *Attorney, Agent, or Firm* — Dickstein Shapiro LLP

(57) **CLAIM**

The ornamental design for a case for an electronic device, as shown and described.

DESCRIPTION

FIG. 1 is a perspective view of the front of a case for an electronic device showing our new design;

FIG. 2 is a front view of a case for an electronic device showing our new design;

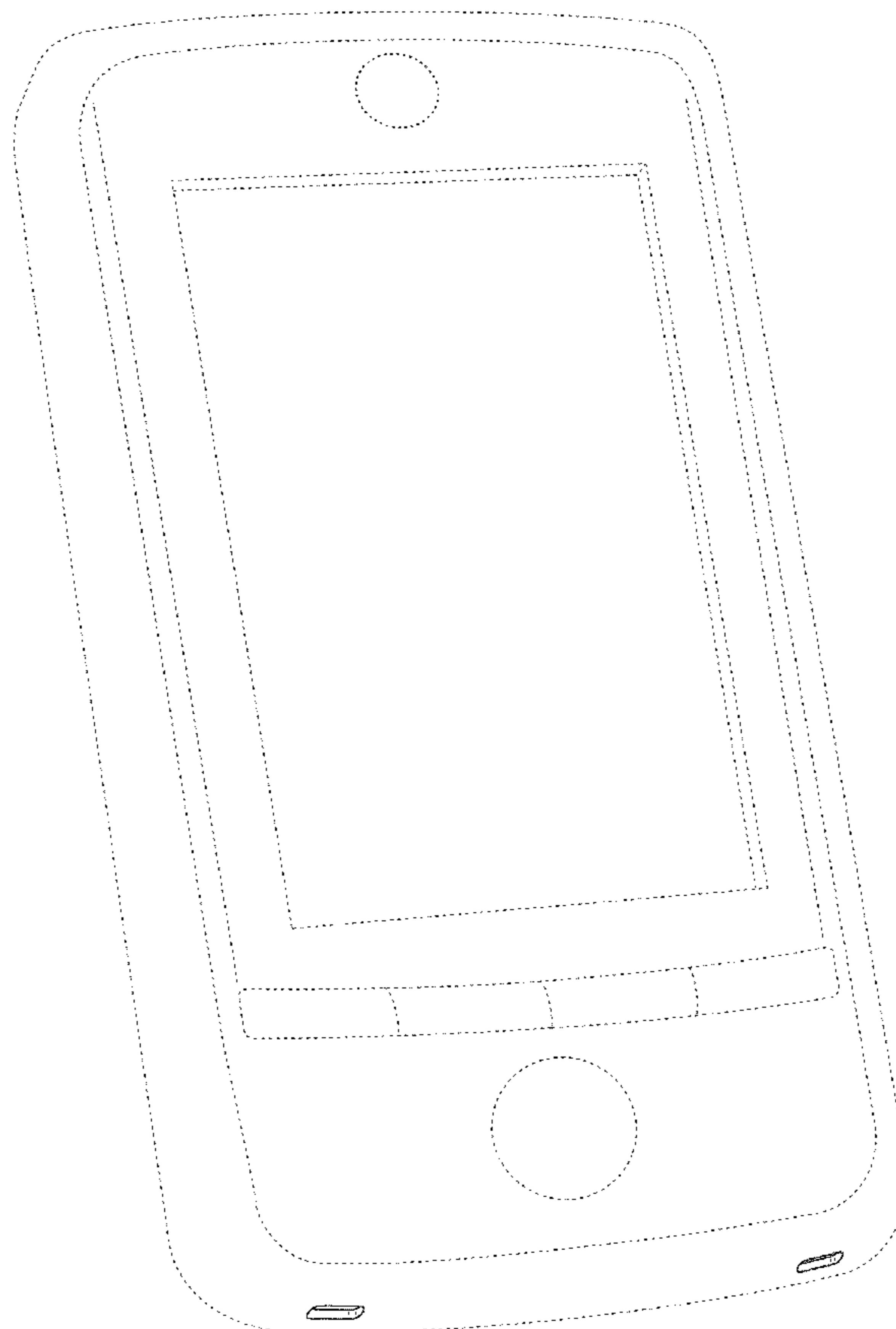
FIG. 3 is a back view of a case for an electronic device showing our new design;

FIG. 4 is a side view of a case for an electronic device showing our new design; and,

FIG. 5 is a top view of a case for an electronic device showing our new design.

The broken lines shown in the drawing depict environmental subject matter only and form no part of the claimed design.

1 Claim, 5 Drawing Sheets



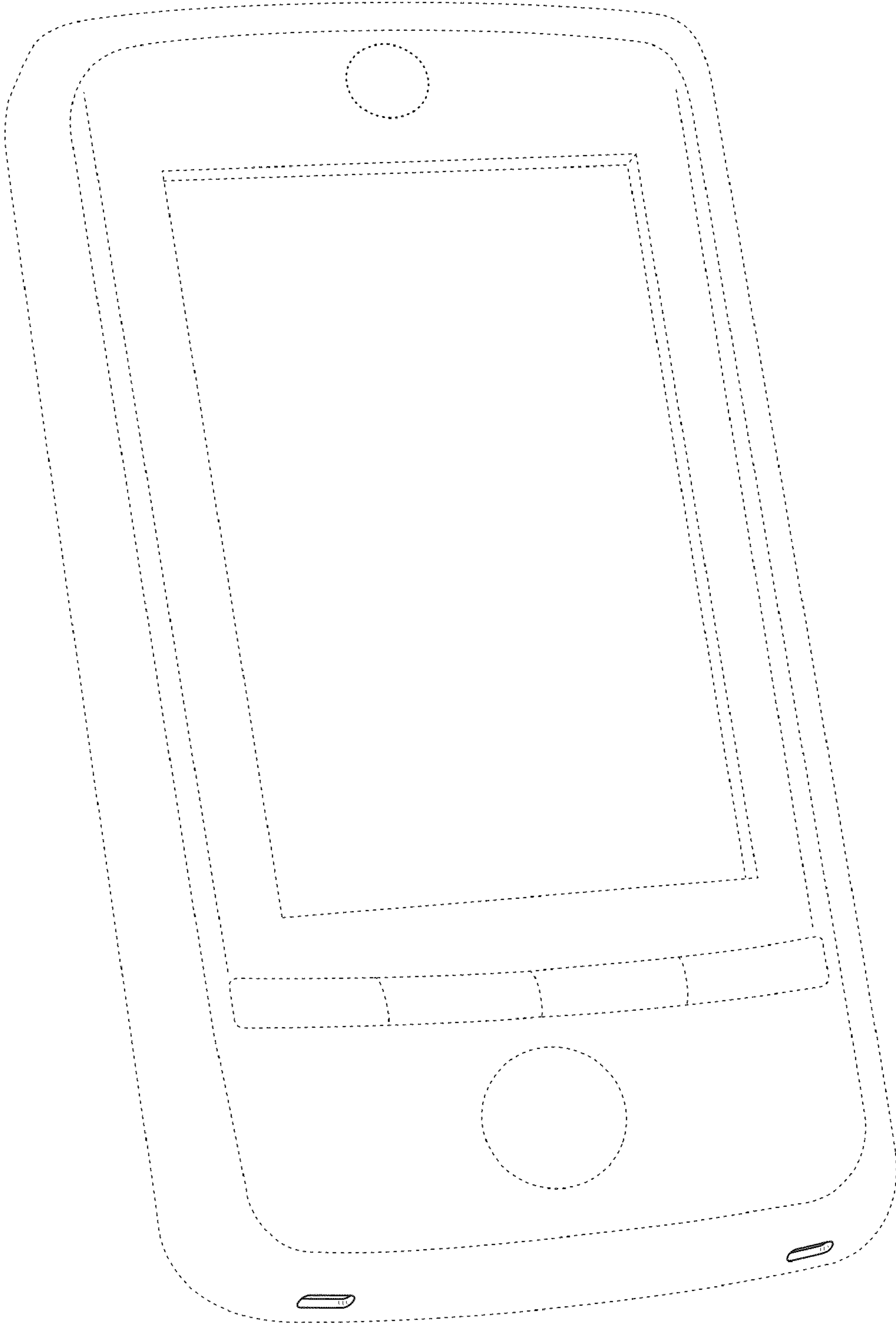


FIG. 1

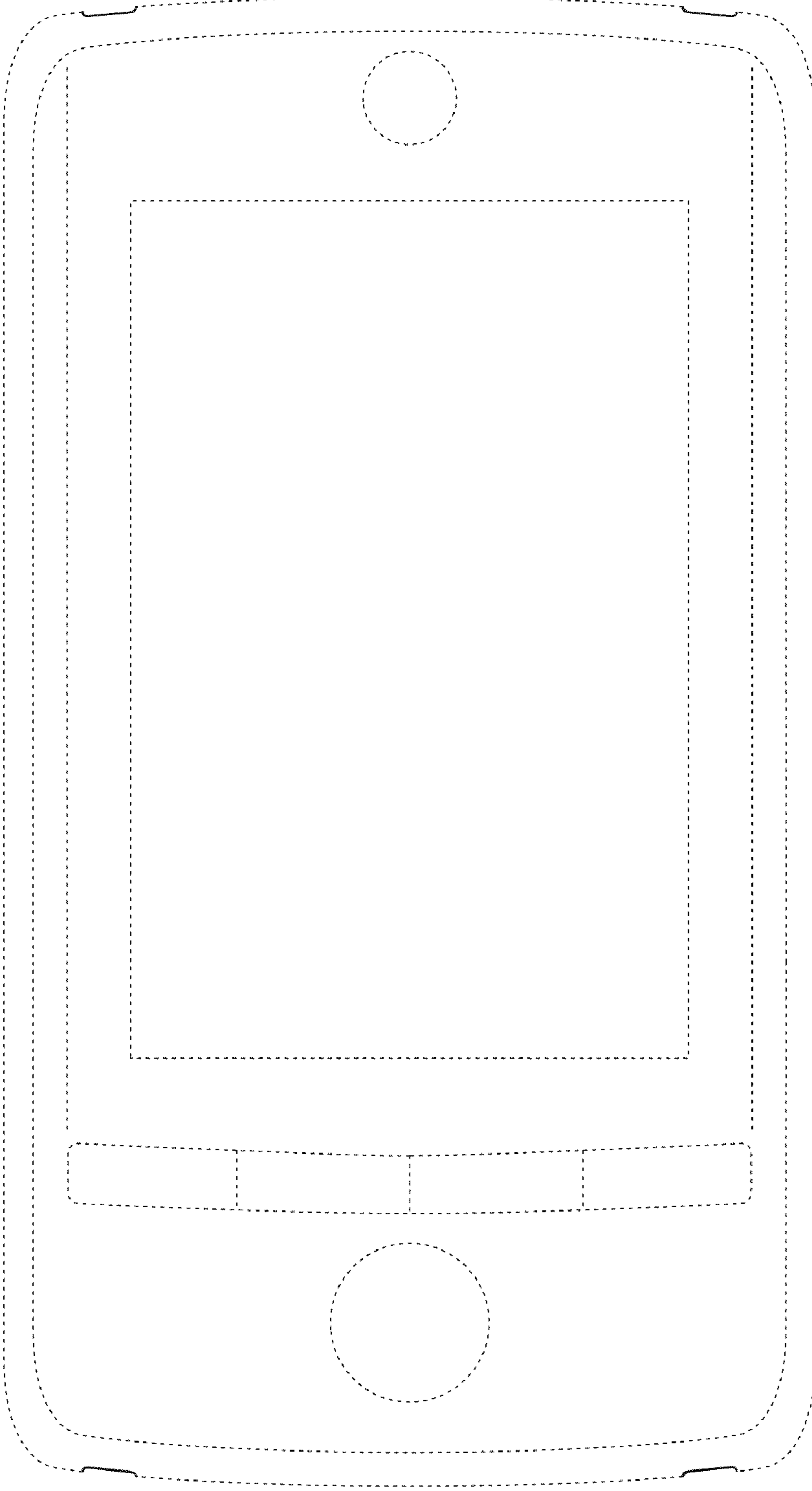


FIG. 2

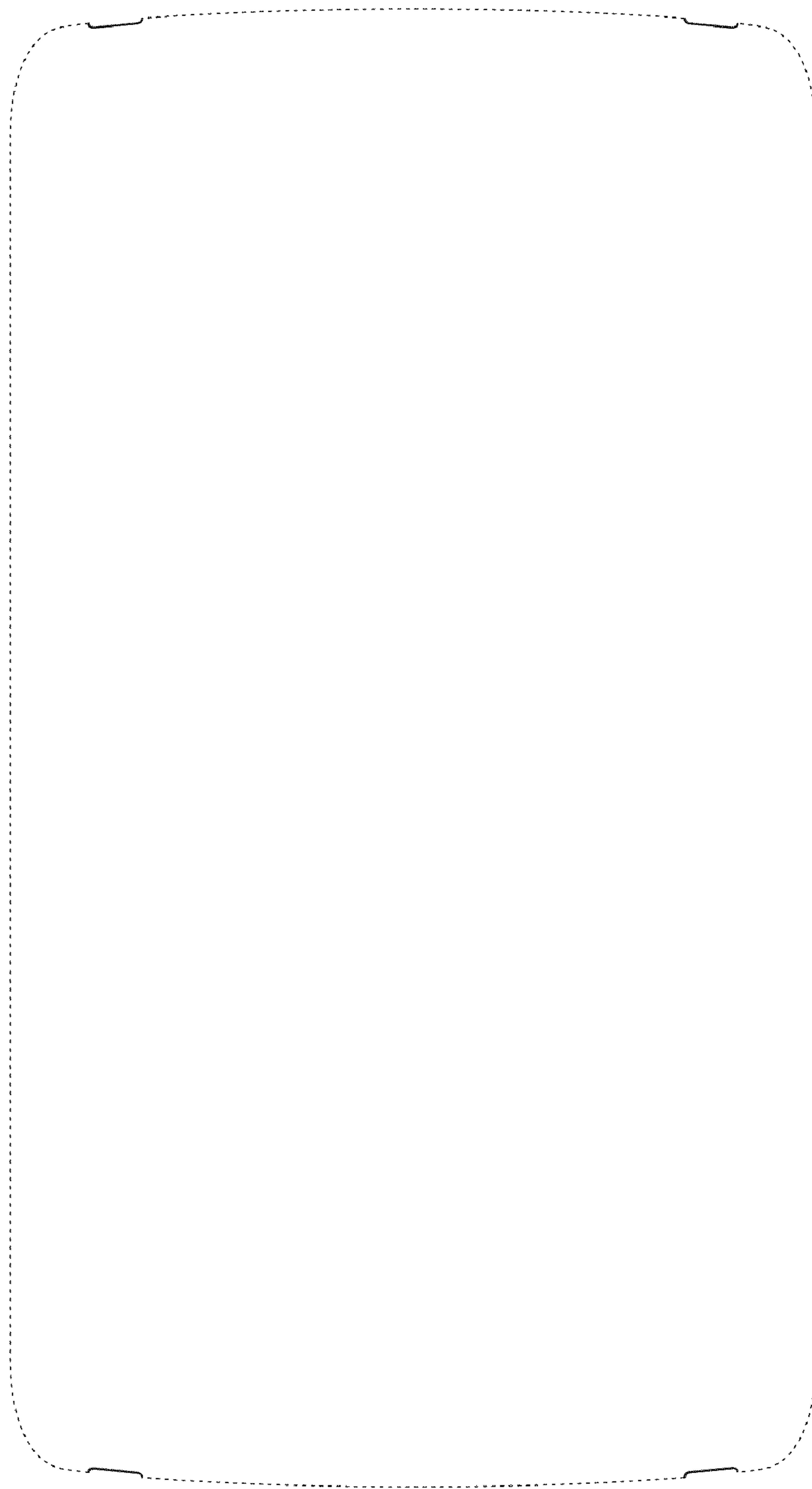


FIG. 3

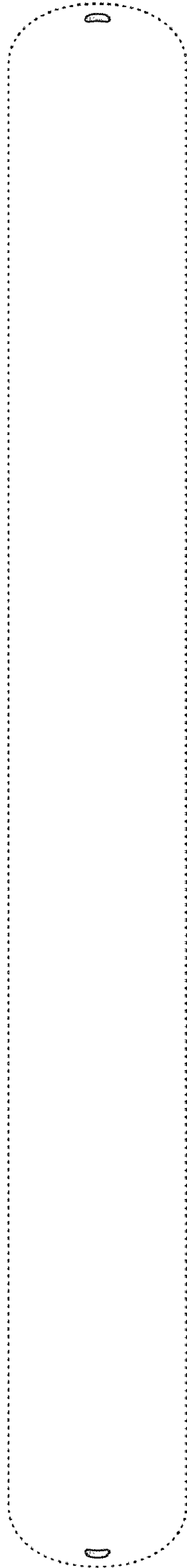


FIG. 4



FIG. 5