



US00D649141S

(12) **United States Design Patent**
Thomas et al.

(10) **Patent No.:** **US D649,141 S**

(45) **Date of Patent:** **** *Nov. 22, 2011**

(54) **COMBINATION FIELD RADIO MODEM AND AMPLIFIER**

(75) Inventors: **E. Alex Thomas**, Morgan Hill, CA (US);
Charles Branch, Sunnyvale, CA (US)

(73) Assignee: **Trimble Navigation Limited**,
Sunnyvale, CA (US)

(*) Notice: This patent is subject to a terminal disclaimer.

(**) Term: **14 Years**

(21) Appl. No.: **29/361,721**

(22) Filed: **May 13, 2010**

(51) **LOC (9) Cl.** **14-03**

(52) **U.S. Cl.** **D14/242; D14/240**

(58) **Field of Classification Search** D14/240–242,
D14/140.1–140.6, 140, 155, 159, 141.1–141.3,
D14/137, 149, 150, 349, 351, 348, 353–358,
D14/170–171, 225, 217, 125, 352, 363, 370,
D14/411, 433, 435.1, 436, 188, 196; D13/184,
D13/133, 152; 455/550.1; 361/679.4, 679.56,
361/679.03, 679.26; 340/7.54; 439/717,
439/131, 135–147; 370/315; 375/311; 710/300,
710/301

See application file for complete search history.

(56) **References Cited**

U.S. PATENT DOCUMENTS

D202,109 S *	8/1965	de Kam	D14/137
D225,650 S *	12/1972	Mulholland	D14/242
D254,960 S *	5/1980	Helm	D10/98
D264,845 S *	6/1982	Hellwig	D14/240
D267,249 S *	12/1982	Fukushima et al.	D14/138 R
D312,635 S *	12/1990	Culbertson	D14/138 R
D350,544 S *	9/1994	Sakuta et al.	D14/240
D358,395 S *	5/1995	Heidorn et al.	D14/242
D386,151 S *	11/1997	Werse	D14/358
D436,350 S *	1/2001	Cowan et al.	D14/188

D437,304 S *	2/2001	Cowan et al.	D14/188
D451,896 S *	12/2001	Kim	D14/137
D461,798 S *	8/2002	Nagase	D14/240
D461,799 S *	8/2002	Nagase	D14/240
D483,024 S *	12/2003	Sanchez et al.	D14/155
D490,786 S *	6/2004	Richards et al.	D14/137
D497,318 S *	10/2004	Strand et al.	D10/104
6,907,230 B2 *	6/2005	Sit et al.	455/90.3
D575,775 S *	8/2008	Sekine	D14/242
D579,912 S *	11/2008	Lamason	D14/159
D589,490 S *	3/2009	Thusbass	D14/155
D601,551 S *	10/2009	Ray et al.	D14/240
D620,486 S *	7/2010	Branch et al.	D14/242

OTHER PUBLICATIONS

Field configurator and USB-HART modem (2 in 1), alibaba.com, posting date not given, [online], [site visited Feb. 28, 2011]. Available from Internet ,<URL: <http://au.alibaba.com/product/110718018-Field-configurator-and-USB-HART-modem.html>>.*

* cited by examiner

Primary Examiner — Jeffrey D Asch

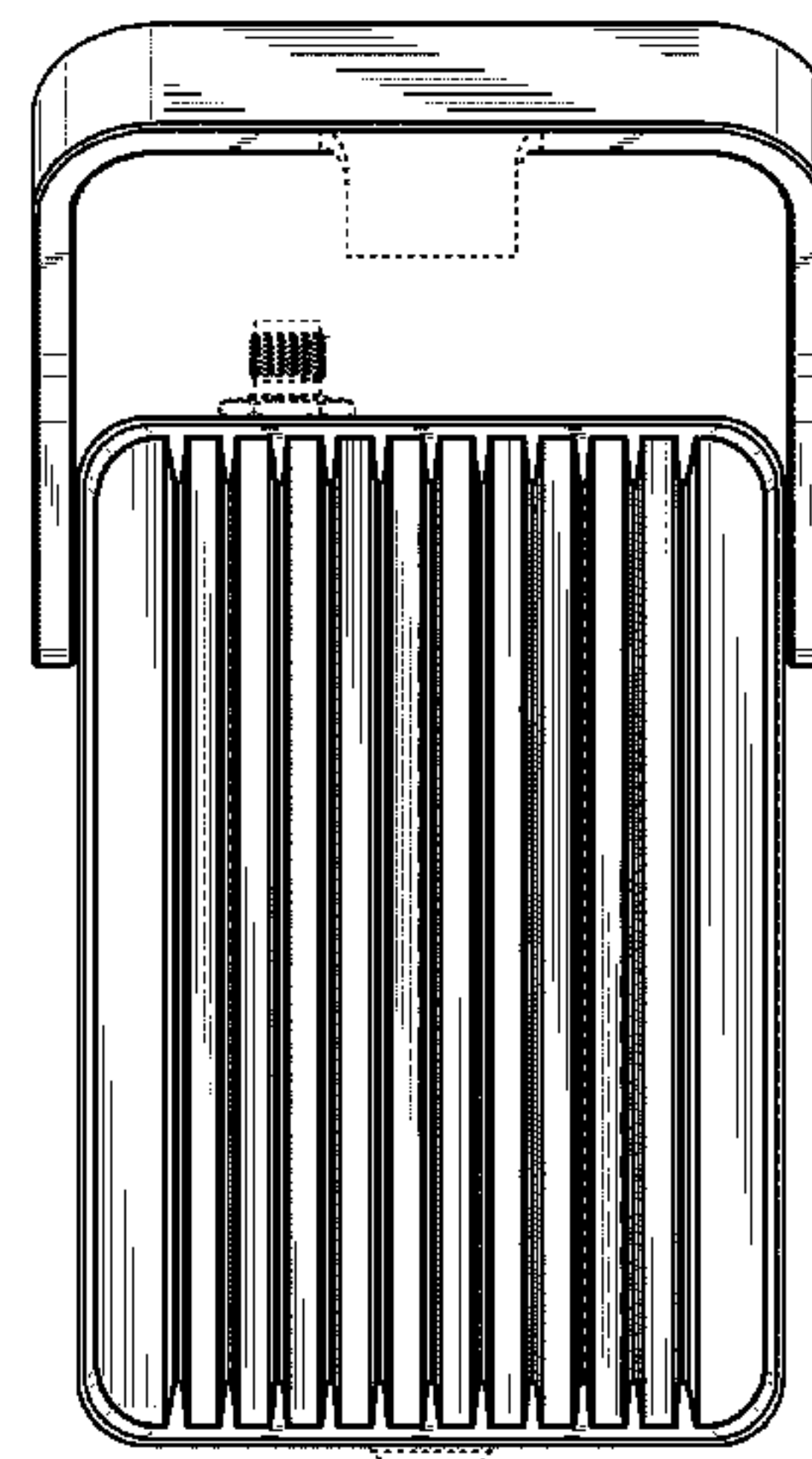
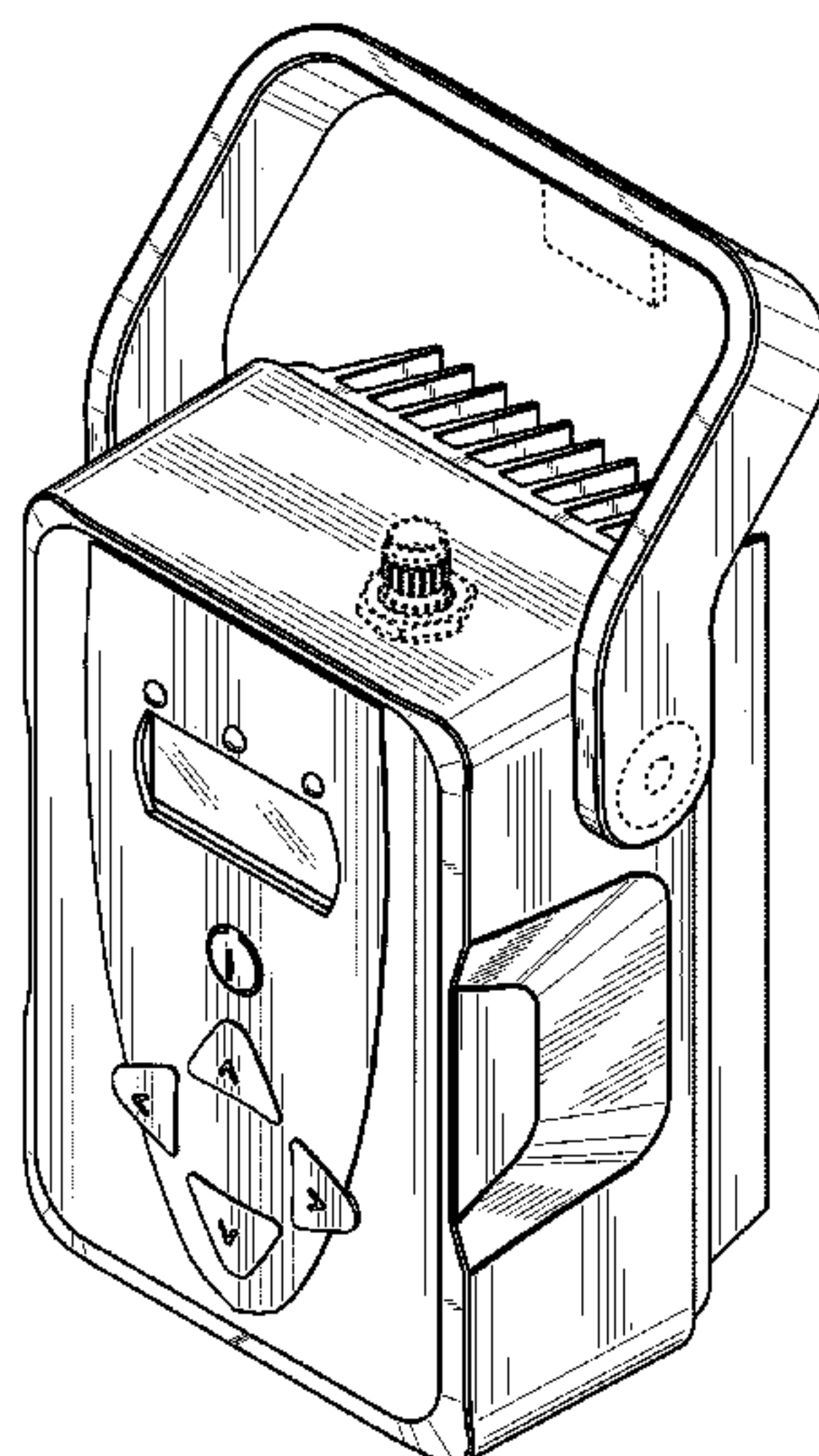
(57) **CLAIM**

We claim the ornamental design for a combination field radio modem and amplifier, as shown and described.

DESCRIPTION

FIG. 1 is an upper right front perspective view of a combination field radio modem and amplifier showing new design, the broken lines shown throughout the views that are immediately adjacent to the shaded areas, and define unshaded regions, represent the bounds of the claimed design, while all other broken lines are directed to environment and are for illustrative purposes only, features shown in broken lines form no part of the claimed design;
FIG. 2 is a front plan view thereof;
FIG. 3 is a right side elevational view thereof;
FIG. 4 is a rear plan view thereof;
FIG. 5 is a top plan view thereof; and,
FIG. 6 is a bottom plan view thereof.

1 Claim, 3 Drawing Sheets



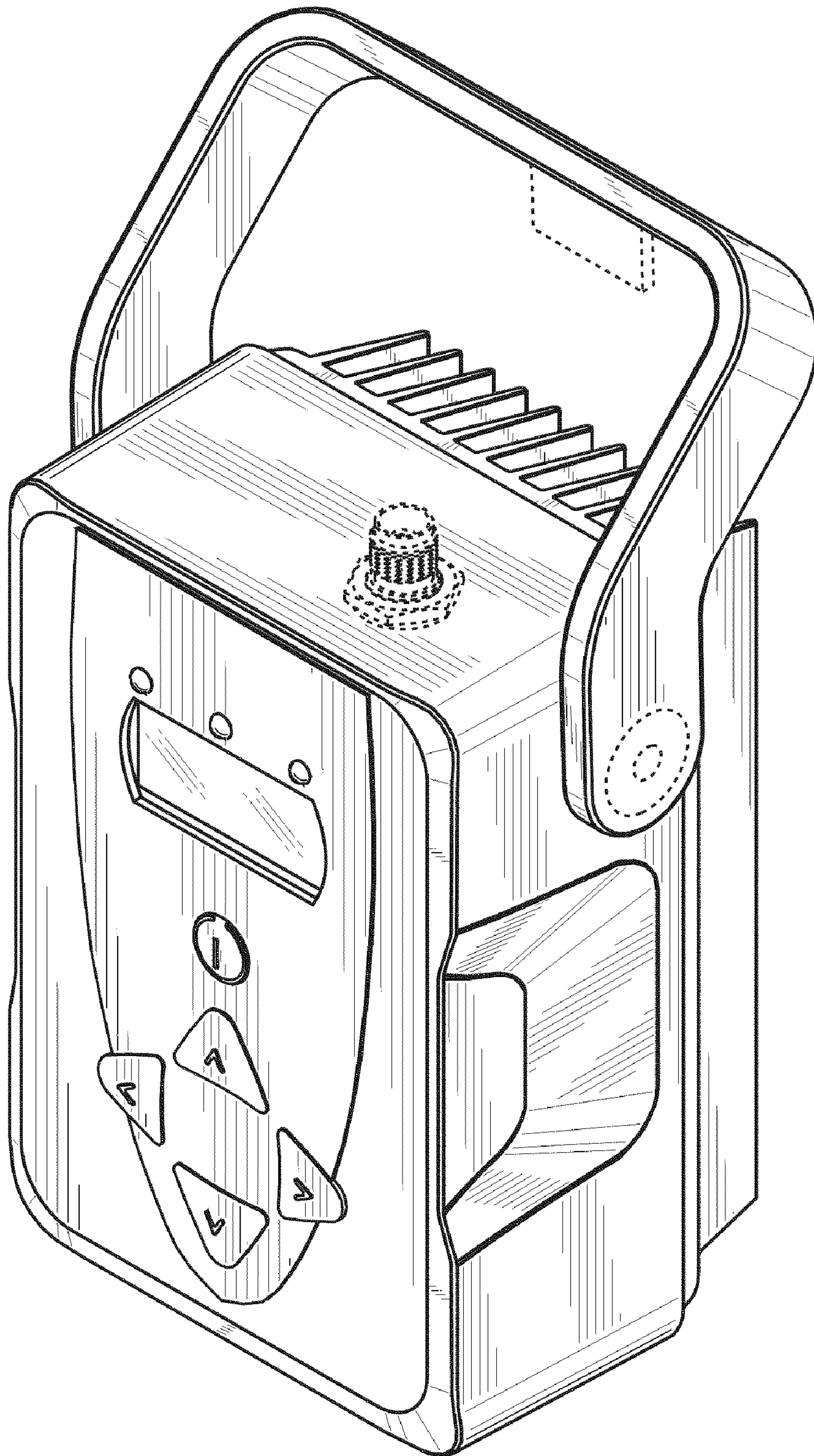


FIG. 1

FIG. 3

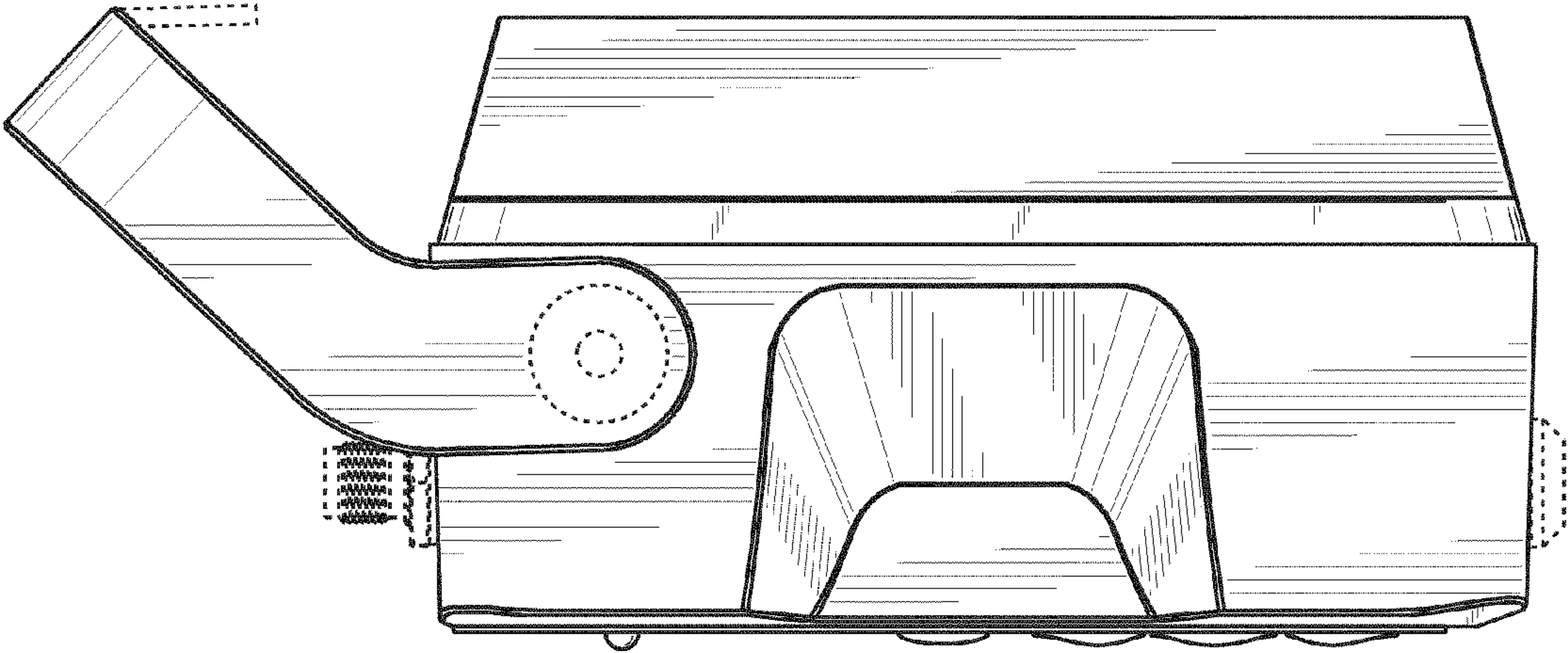
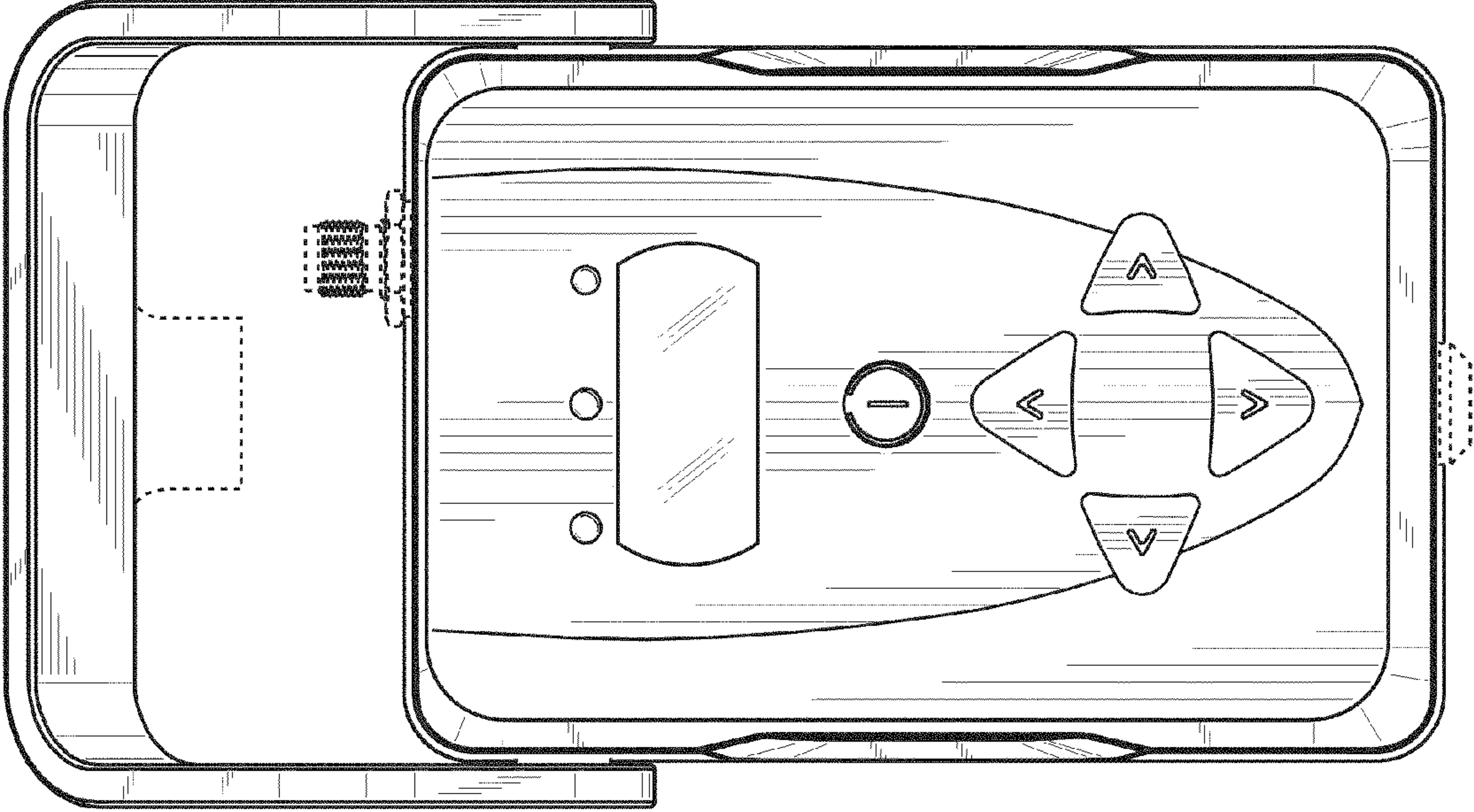


FIG. 2



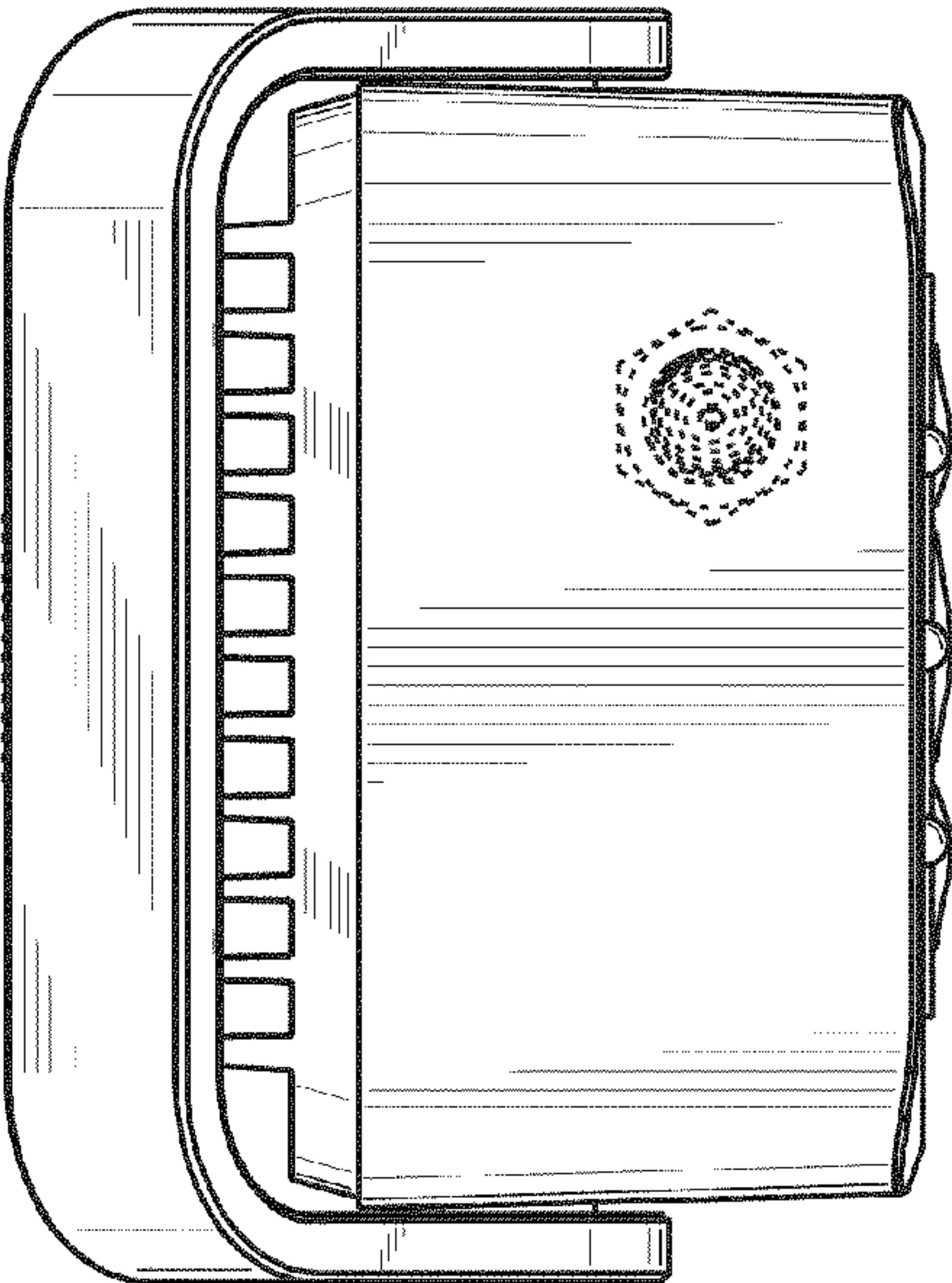


FIG. 5

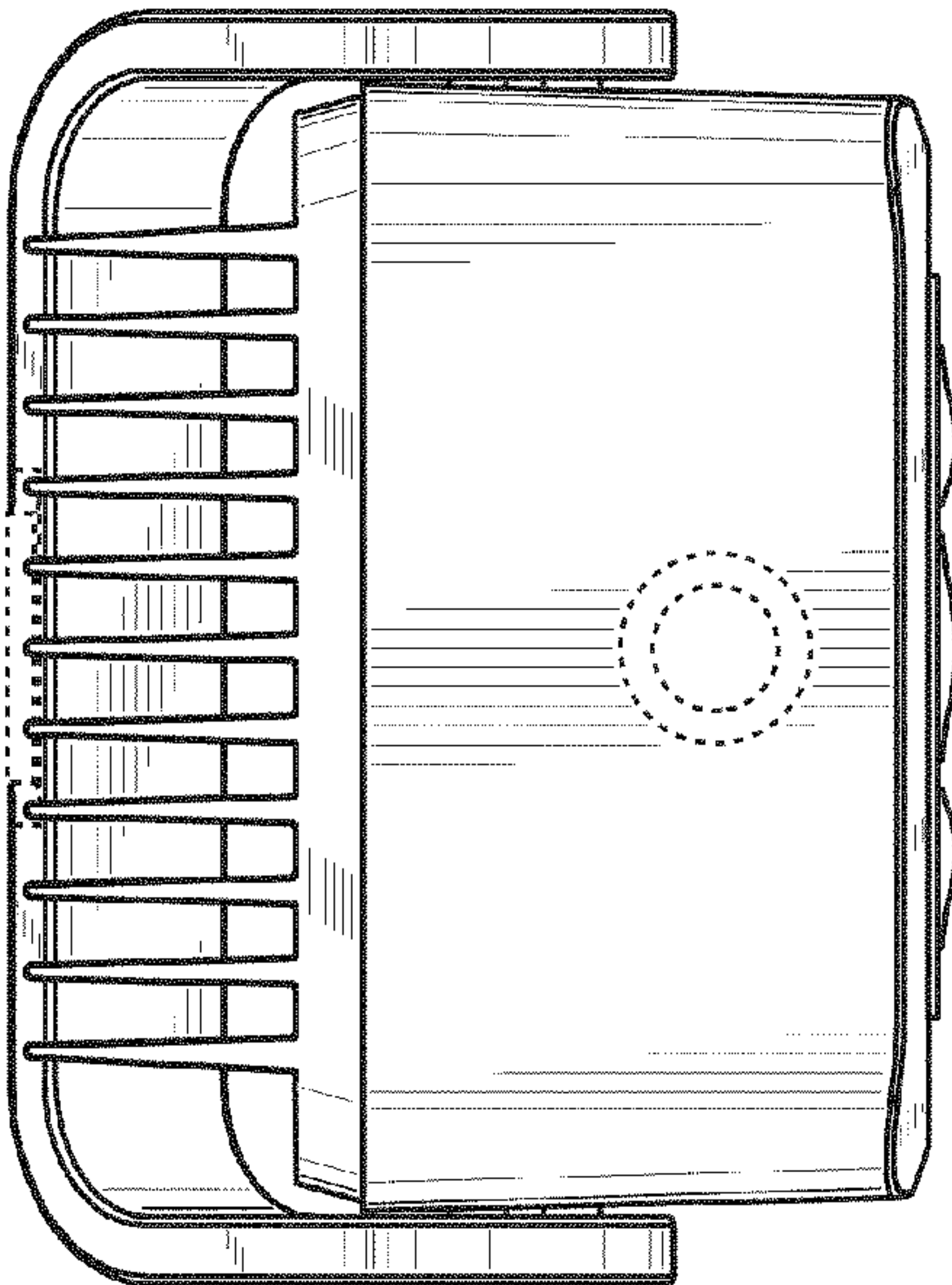


FIG. 6

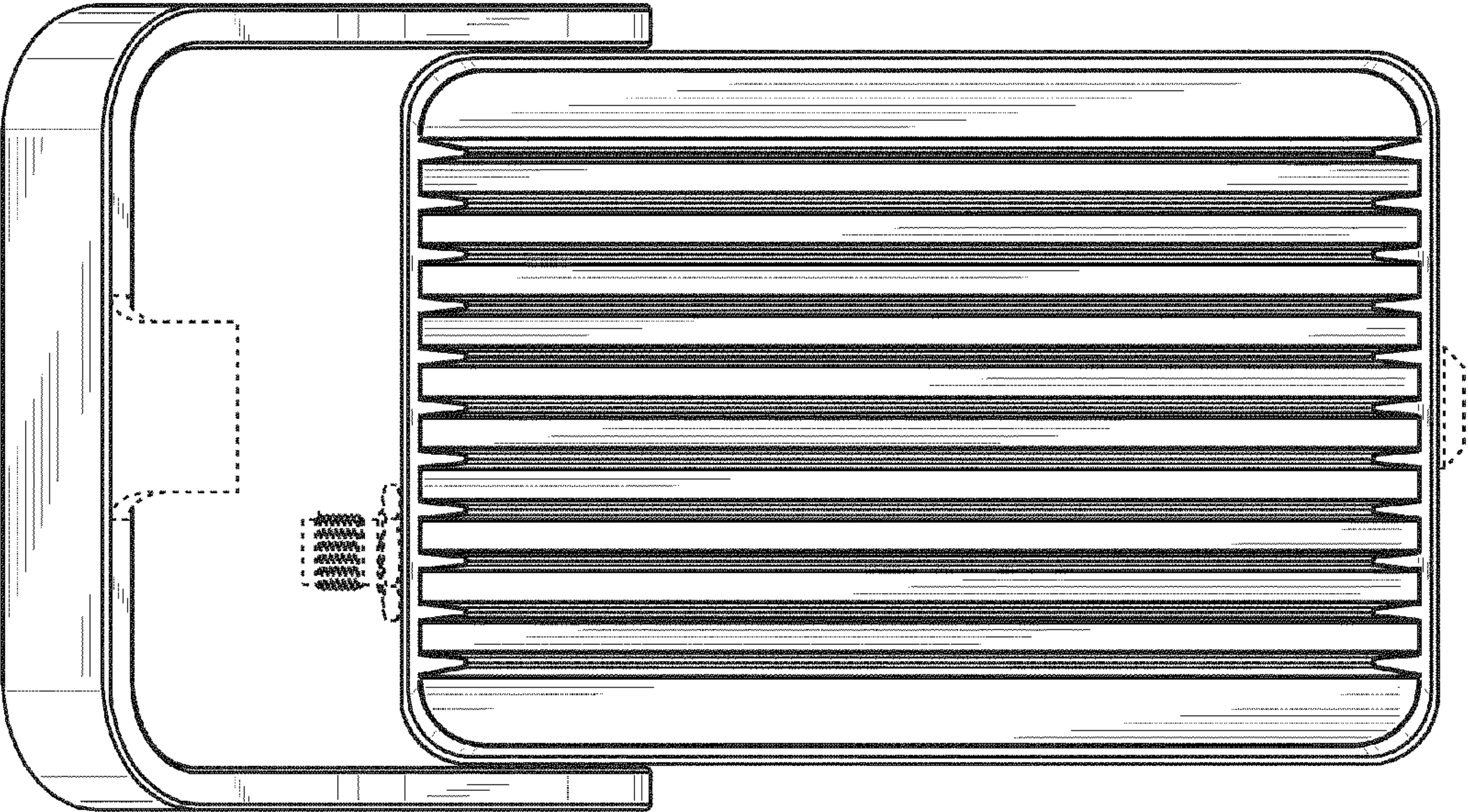


FIG. 4