



US00D649140S

(12) **United States Design Patent**
Spatter et al.

(10) **Patent No.:** **US D649,140 S**

(45) **Date of Patent:** **** *Nov. 22, 2011**

(54) **ILLUMINATED WHIP MAST**

(76) Inventors: **Travis P. Spatter**, Corona, CA (US);
Mario A Villa, Corona, CA (US)

(*) Notice: This patent is subject to a terminal disclaimer.

(**) Term: **14 Years**

(21) Appl. No.: **29/366,685**

(22) Filed: **Jul. 28, 2010**

(51) **LOC (9) Cl.** **14-03**

(52) **U.S. Cl.** **D14/230; D14/234**

(58) **Field of Classification Search** D14/230-238,
D14/299, 358, 138; 343/700 R-705, 711-713,
343/819, 871-908, 795, 840, 841, 846; 455/90.2,
455/90.3, 91, 128, 269, 345, 562.1, 575.9;
D12/42, 43

See application file for complete search history.

(56) **References Cited**

U.S. PATENT DOCUMENTS

D245,694	S	9/1977	Bogner	
4,088,882	A	5/1978	Lewis	
4,099,535	A	7/1978	Hubachek	
D345,363	S *	3/1994	Watanabe	D14/234
5,388,546	A *	2/1995	Lombard	116/209
D376,152	S *	12/1996	Tsuji	D14/230
6,129,035	A *	10/2000	Schweinberger	116/28 R
6,378,453	B1 *	4/2002	Conway	116/28 R
D457,518	S *	5/2002	Wilson	D14/233
6,558,018	B1	5/2003	Blum	

D494,573	S *	8/2004	Curtis et al.	D14/234
7,367,700	B2	5/2008	Chasmar	
D575,279	S *	8/2008	Sifferman	D14/232
7,687,999	B2 *	3/2010	Essick et al.	315/200 A

* cited by examiner

Primary Examiner — Celia Murphy
Assistant Examiner — John Windmuller

(74) *Attorney, Agent, or Firm* — Kirk A. Buhler; Buhler & Associates

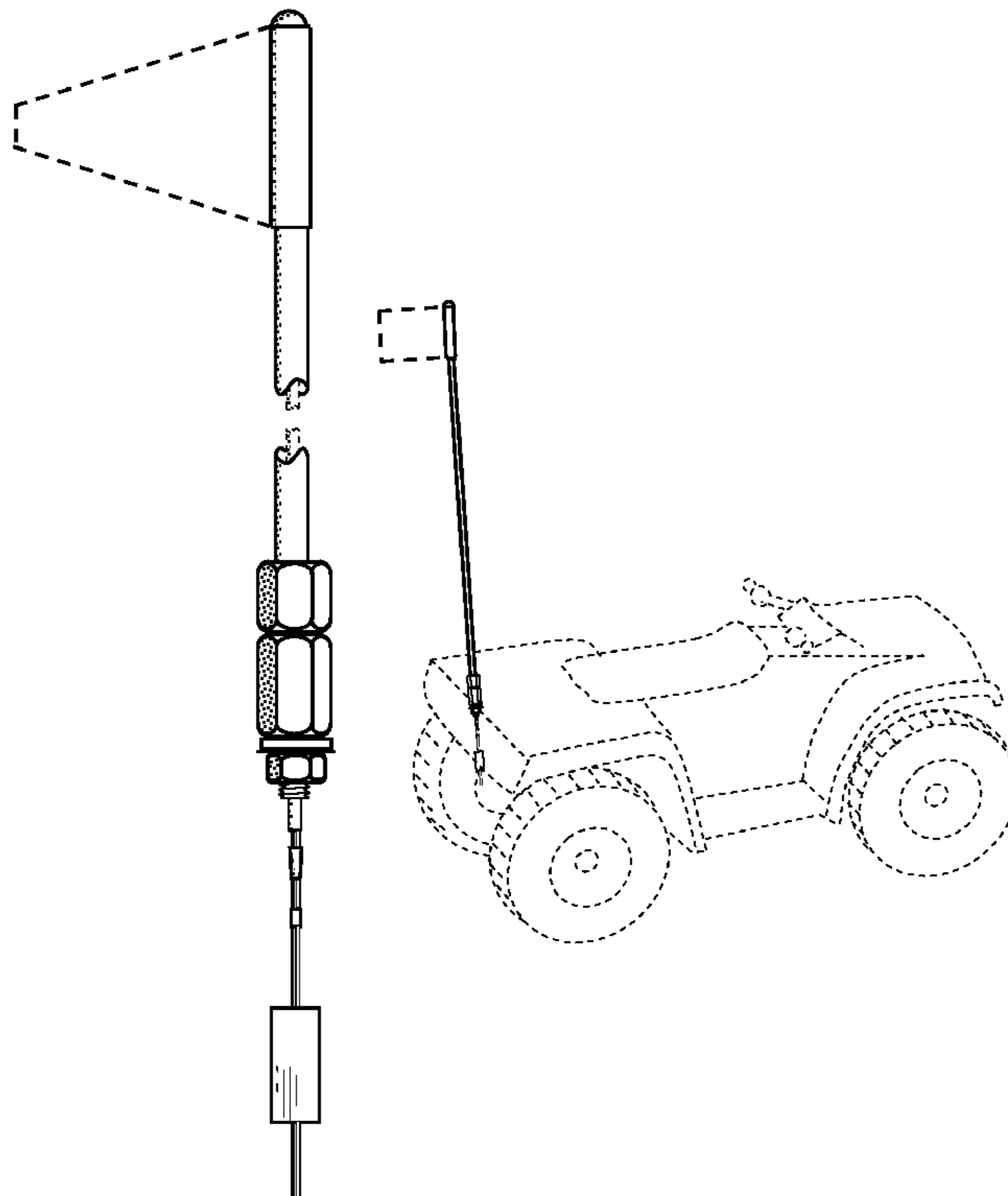
(57) **CLAIM**

The ornamental design for an illuminated whip mast, as shown and described.

DESCRIPTION

FIG. 1 is a front exploded perspective view with a square flag for an illuminated whip mast showing my new design;
 FIG. 2 is a front view with a square flag thereof;
 FIG. 3 is a back view with a trapezoid flag thereof;
 FIG. 4 is a left view thereof;
 FIG. 5 is a right view with a trapezoid flag thereof;
 FIG. 6 is a top view thereof;
 FIG. 7 is a bottom view thereof;
 FIG. 8 is a sectional view taken along lines 8-8 from FIG. 2 thereof;
 FIG. 9 is a perspective view with a trapezoid flag shown in an environment of use thereof; and,
 FIG. 10 is a perspective view thereof shown in an environment of use.
 The broken lines in FIGS. 1 to 10 depict environmental subject matter only and form no part of the claimed design.
 The illuminated whip mast is shown broken away in FIGS. 1-5 for convenience of illustration.

1 Claim, 4 Drawing Sheets



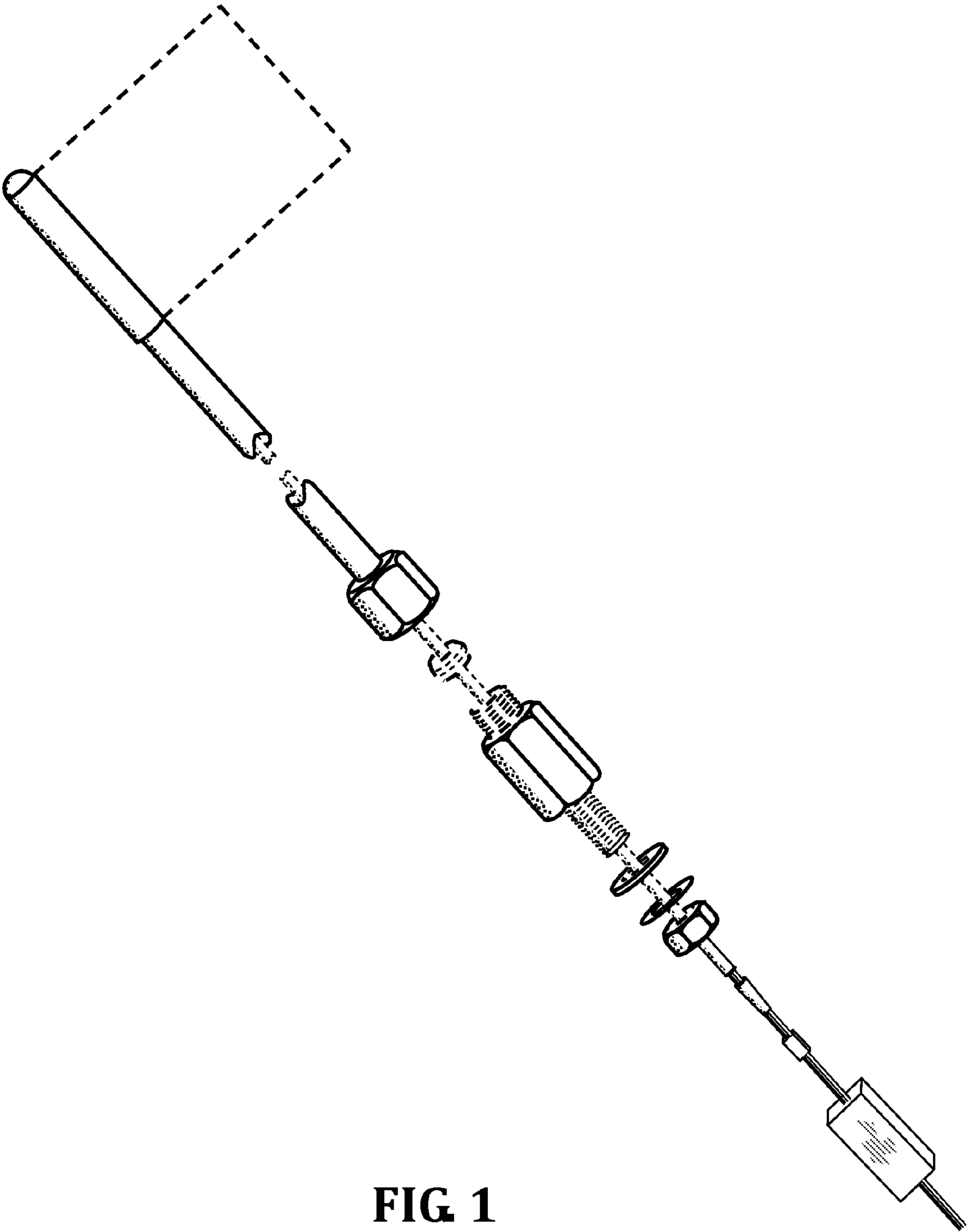


FIG 1

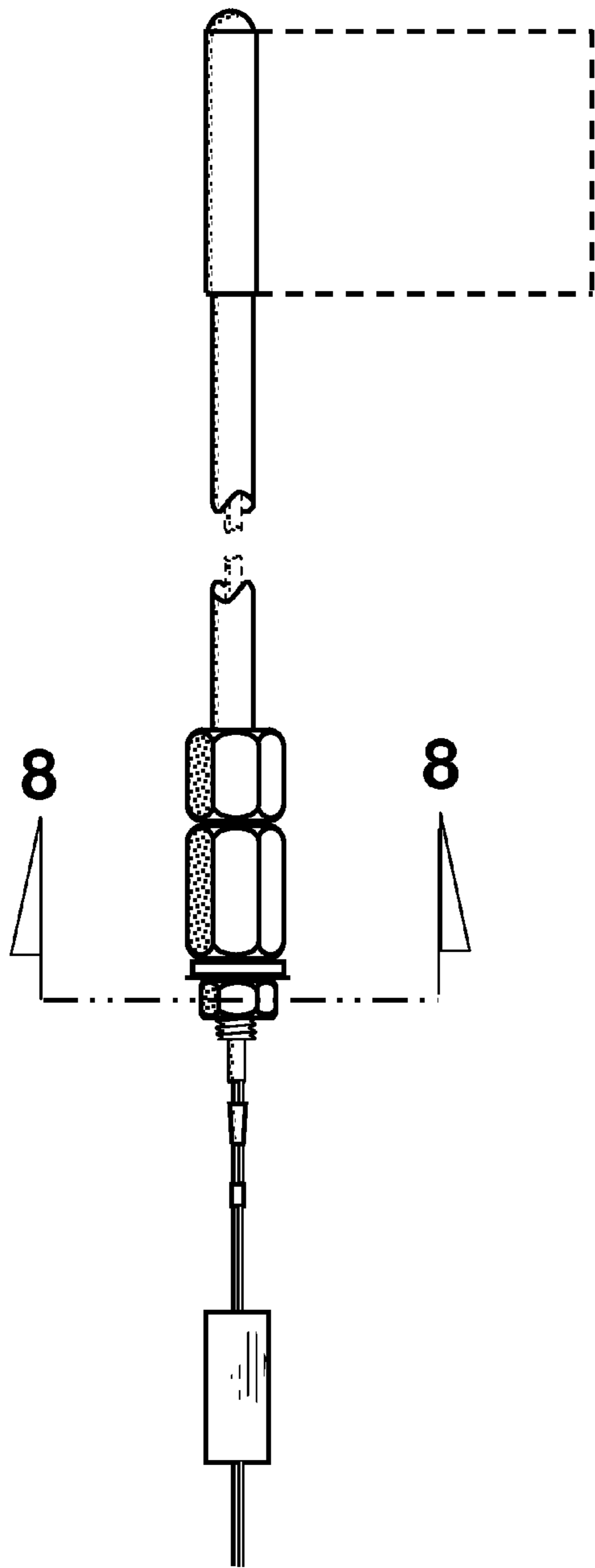


FIG 2

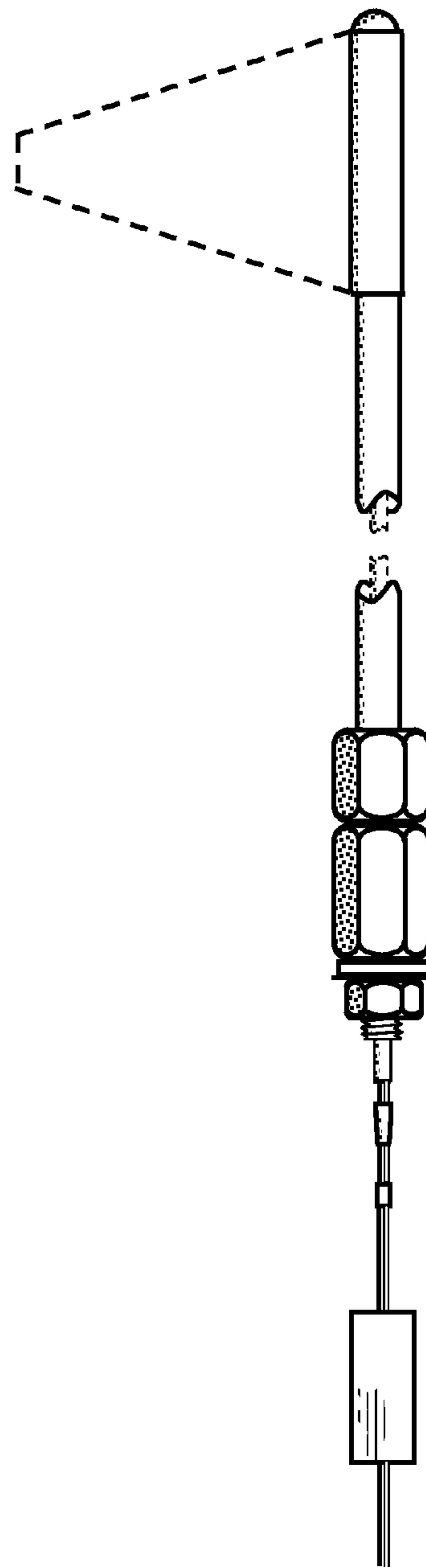


FIG 3

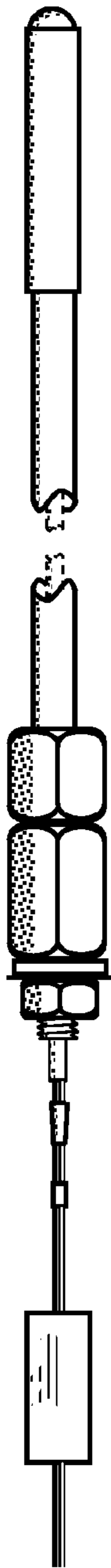


FIG. 4

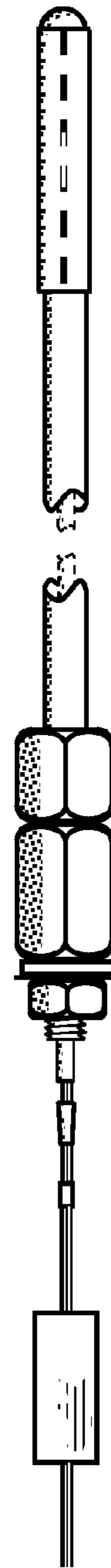


FIG. 5

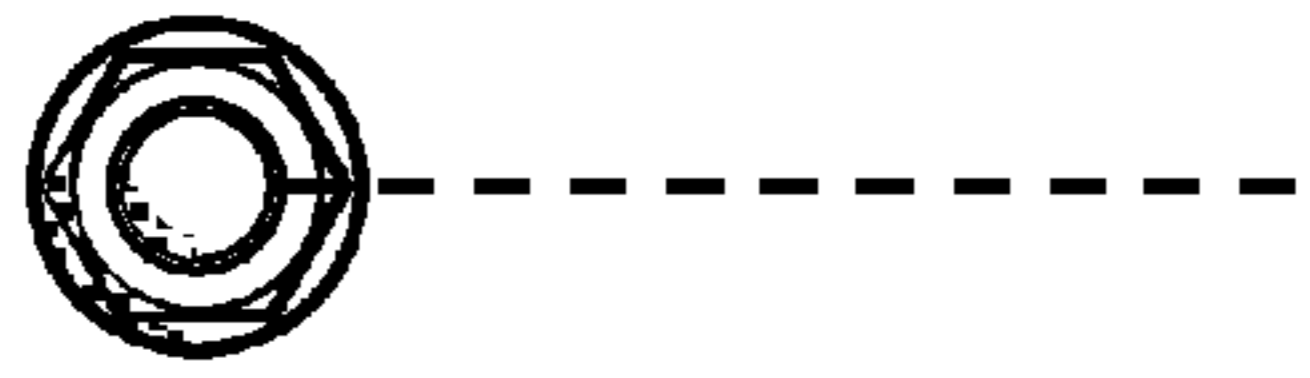


FIG 6

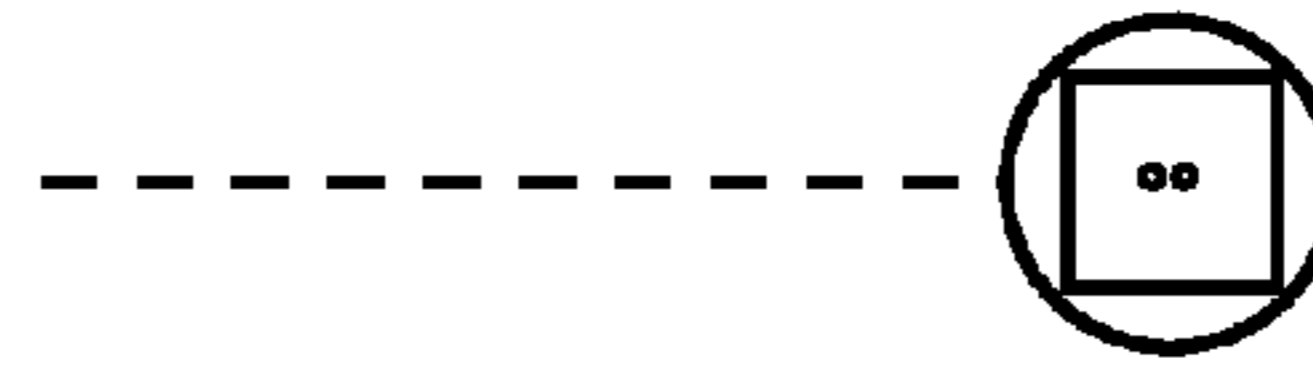


FIG 7

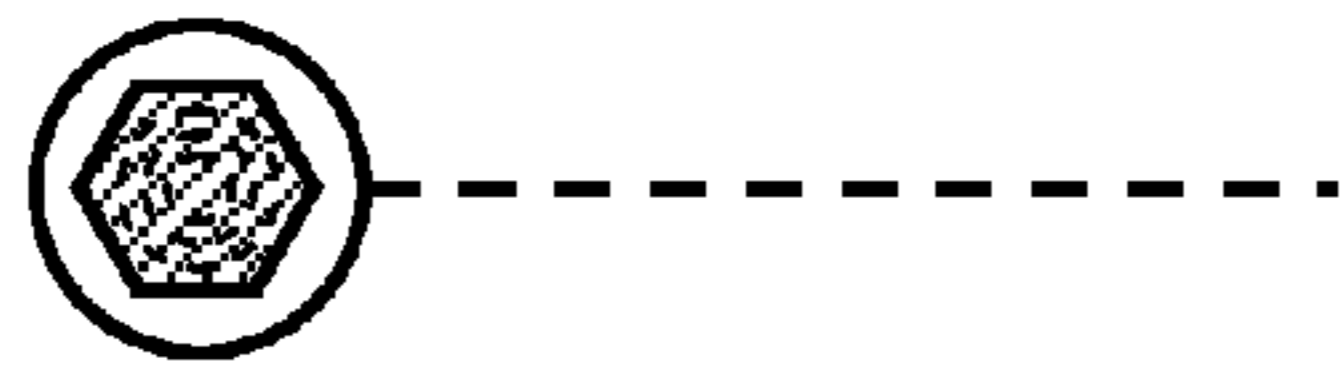


FIG 8

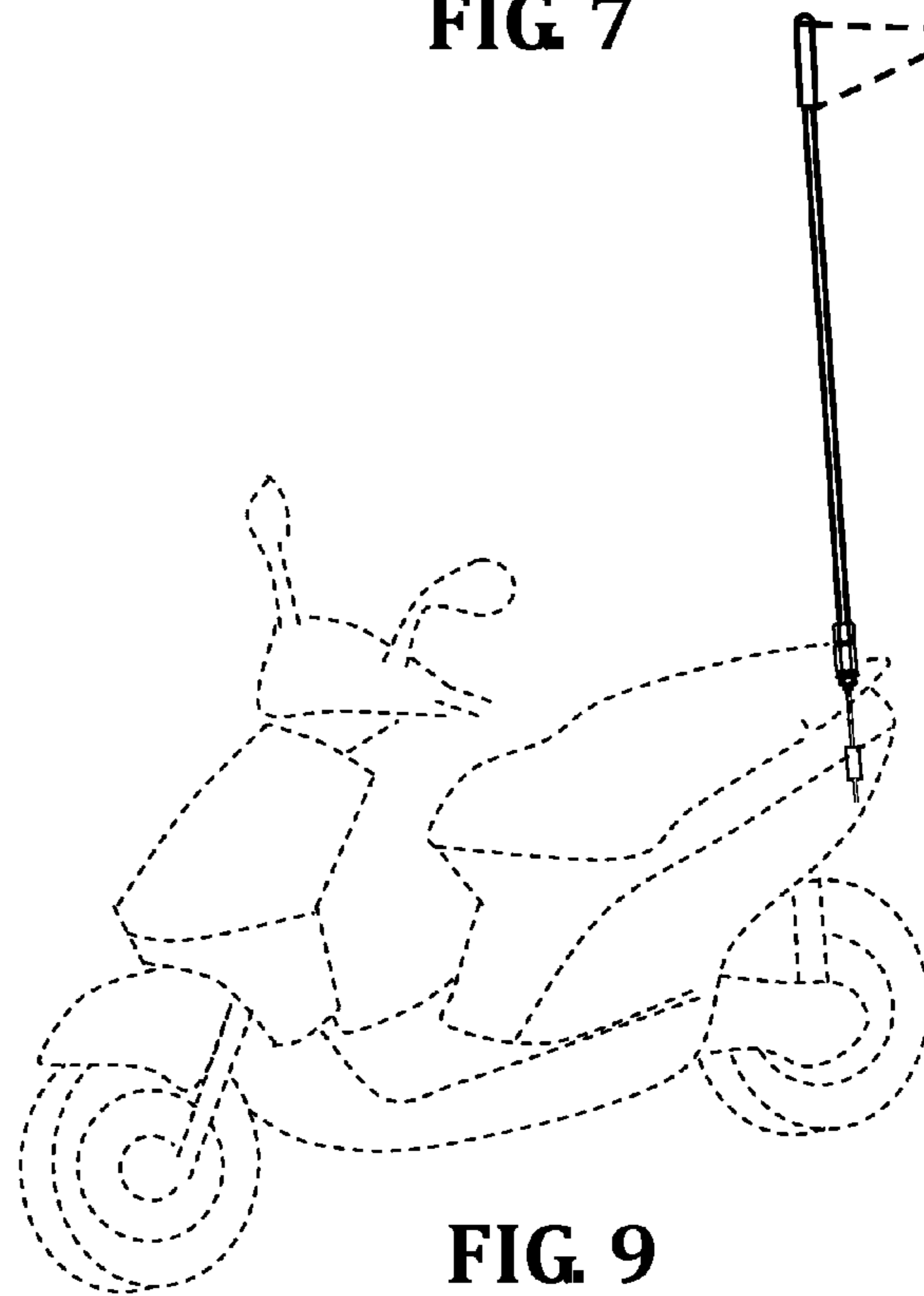


FIG 9

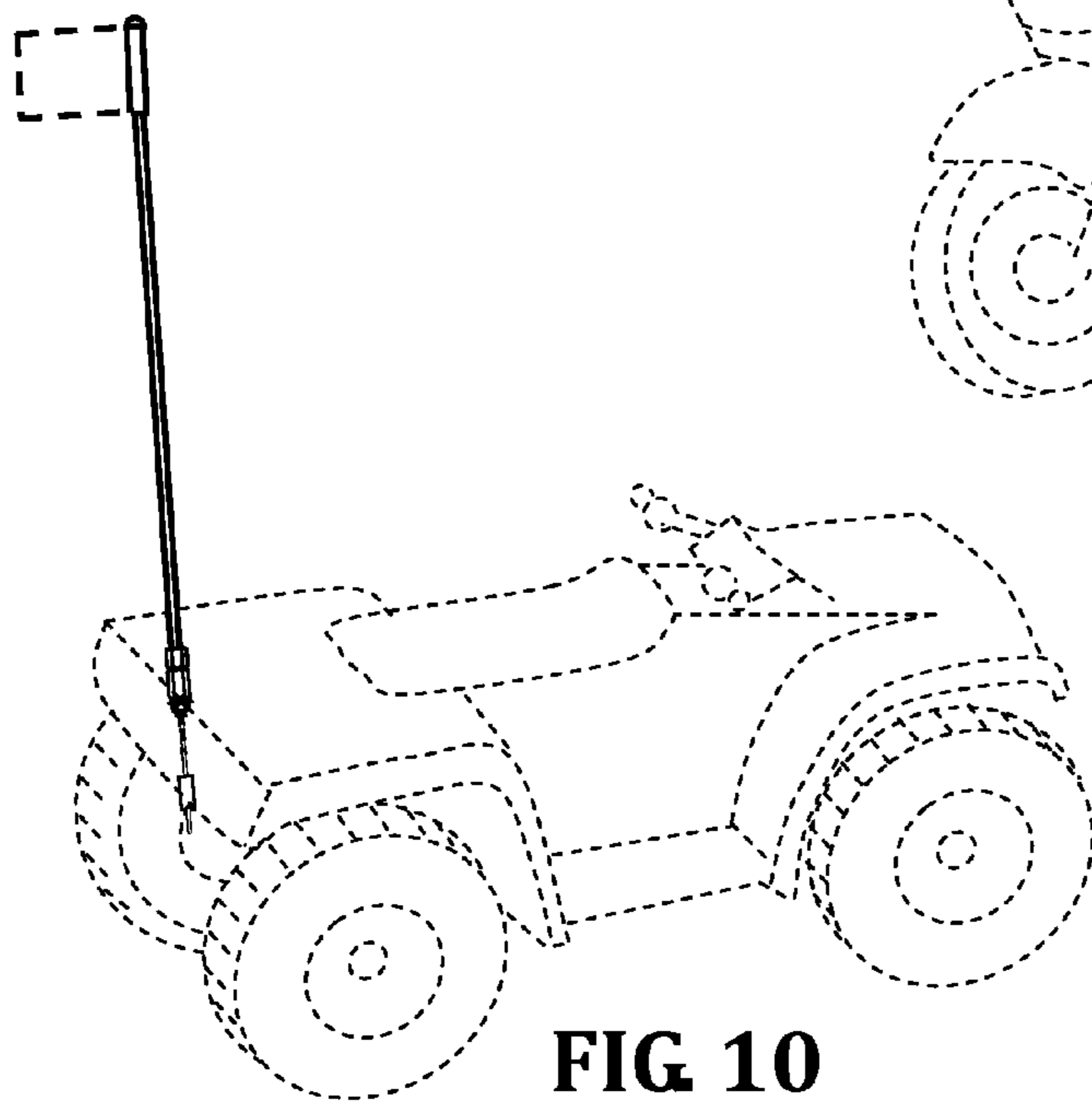


FIG 10