



US00D649139S

(12) **United States Design Patent**
Waay

(10) **Patent No.:** **US D649,139 S**

(45) **Date of Patent:** **** Nov. 22, 2011**

(54) **WIRELESS MICROPHONE**

(75) Inventor: **James Van Waay**, Oceanside, CA (US)

(73) Assignee: **BYW Holdings, Inc.**, Las Vegas, NV
(US)

(**) Term: **14 Years**

(21) Appl. No.: **29/390,882**

(22) Filed: **Apr. 29, 2011**

(51) **LOC (9) Cl.** **14-01**

(52) **U.S. Cl.** **D14/225**

(58) **Field of Classification Search** D21/513;
D17/99; D16/208; D14/497, 249, 243, 227,
D14/226, 225, 167, 155; 446/416; 381/369,
381/355, 92, 174; 455/575.2

See application file for complete search history.

(56) **References Cited**

U.S. PATENT DOCUMENTS

| | | | | |
|--------------|--------|---------------|-------|---------|
| D258,282 S * | 2/1981 | Koseki | | D14/225 |
| D344,907 S * | 3/1994 | Abrams et al. | | D14/159 |
| D392,643 S * | 3/1998 | Hartman | | D14/226 |
| D496,030 S * | 9/2004 | Harbeke | | D14/225 |

| | | | | |
|--------------|---------|-----------------|-------|---------|
| D496,653 S * | 9/2004 | Townsend et al. | | D14/240 |
| D548,195 S * | 8/2007 | Poulet | | D13/168 |
| D548,197 S * | 8/2007 | Yen et al. | | D13/168 |
| D558,742 S * | 1/2008 | Koller et al. | | D14/225 |
| D560,230 S * | 1/2008 | Yagi | | D14/496 |
| D577,715 S * | 9/2008 | Lim et al. | | D14/240 |
| D604,723 S * | 11/2009 | Bodley et al. | | D14/225 |
| D617,317 S * | 6/2010 | Tatara et al. | | D14/225 |
| D621,371 S * | 8/2010 | Sheppard et al. | | D13/168 |

* cited by examiner

Primary Examiner — Austin Murphy

(74) *Attorney, Agent, or Firm* — Steins & Associates, P.C.

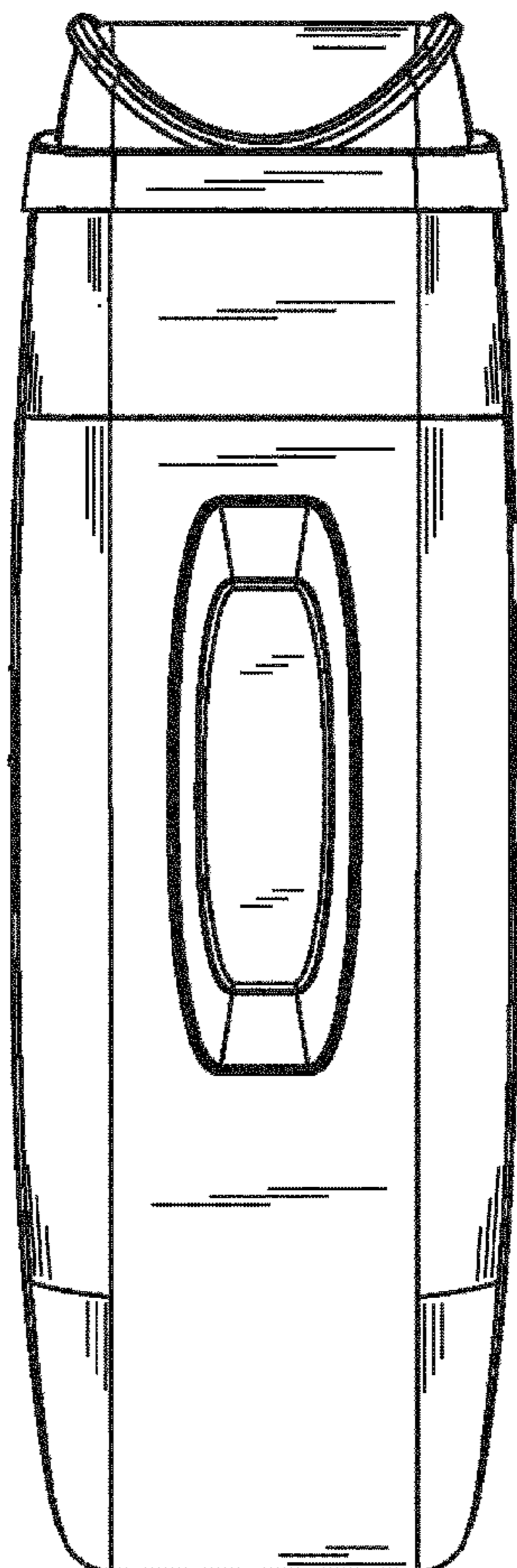
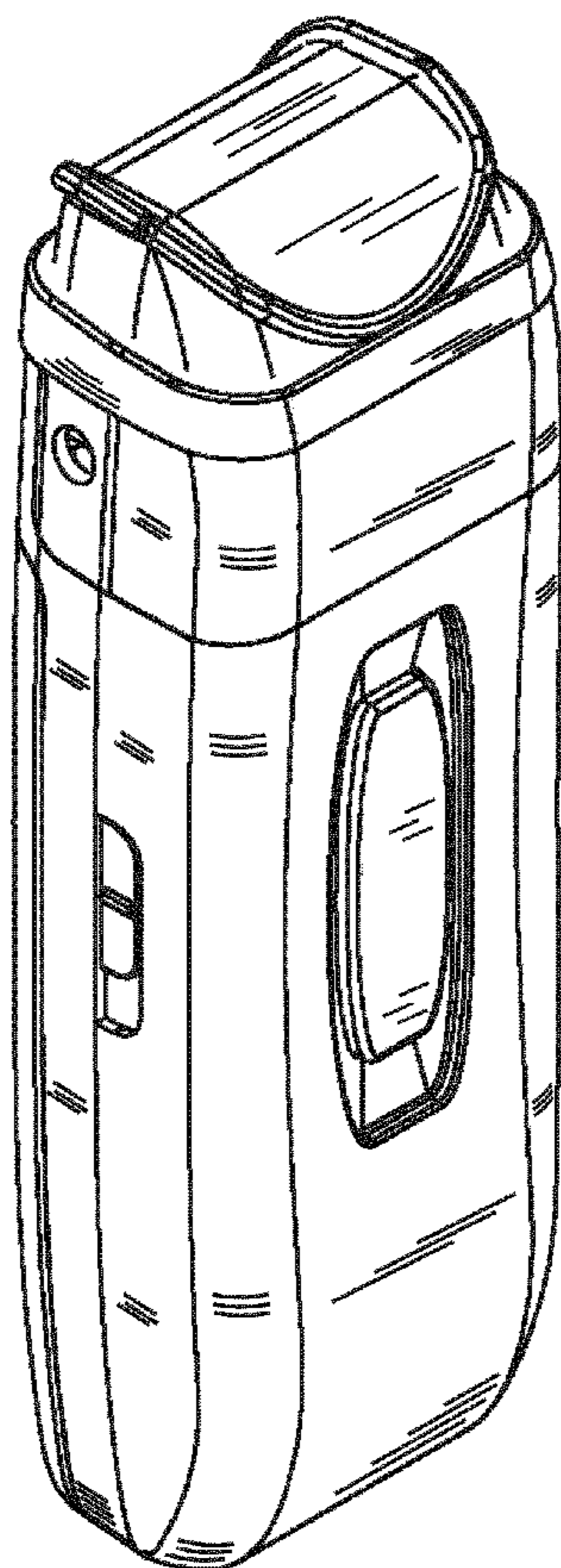
(57) **CLAIM**

What is claimed is the ornamental design for a wireless microphone, as shown.

DESCRIPTION

FIG. 1 is a perspective view of the wireless microphone; FIG. 2 is a front view of the wireless microphone; FIG. 3 is a back view of the wireless microphone; FIG. 4 is a right side view of the wireless microphone; FIG. 5 is a left side view of the wireless microphone; FIG. 6 is a top view of the wireless microphone; and, FIG. 7 is a top view of the wireless microphone.

1 Claim, 5 Drawing Sheets



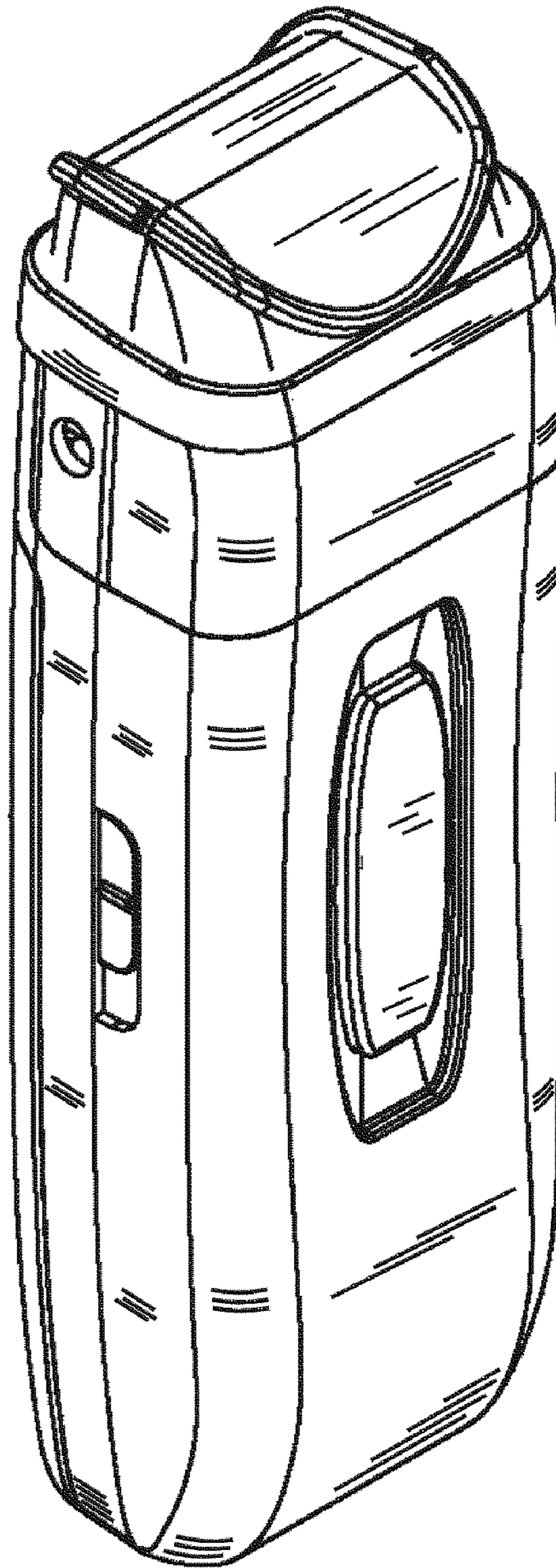


FIG. 1

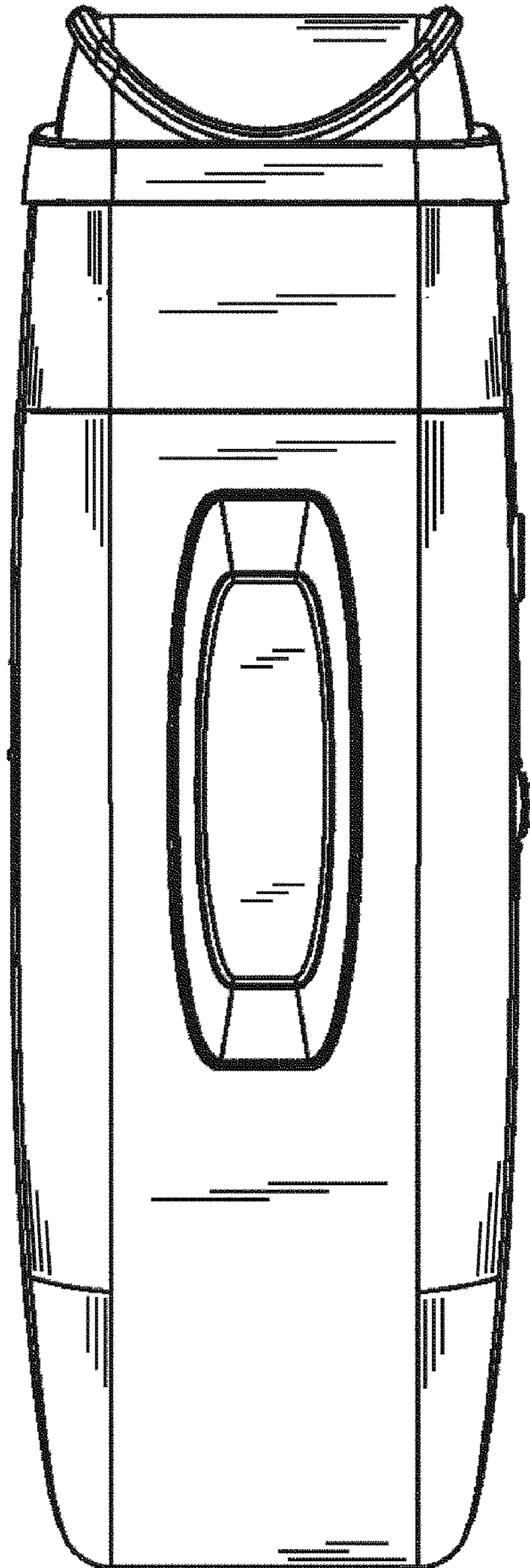


FIG. 2

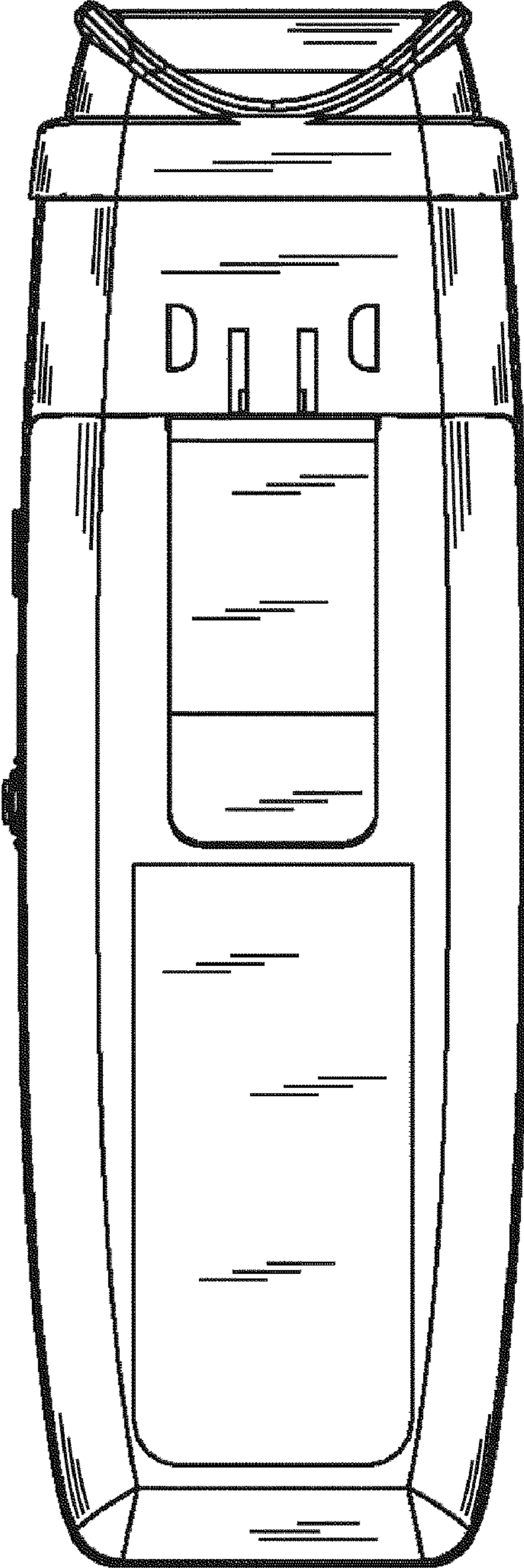


FIG. 3

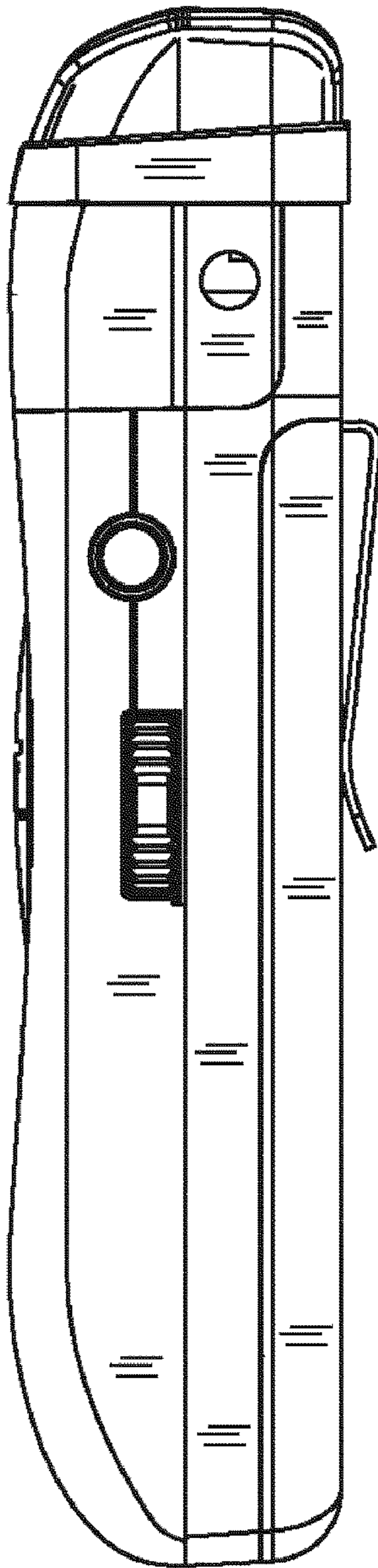


FIG. 4

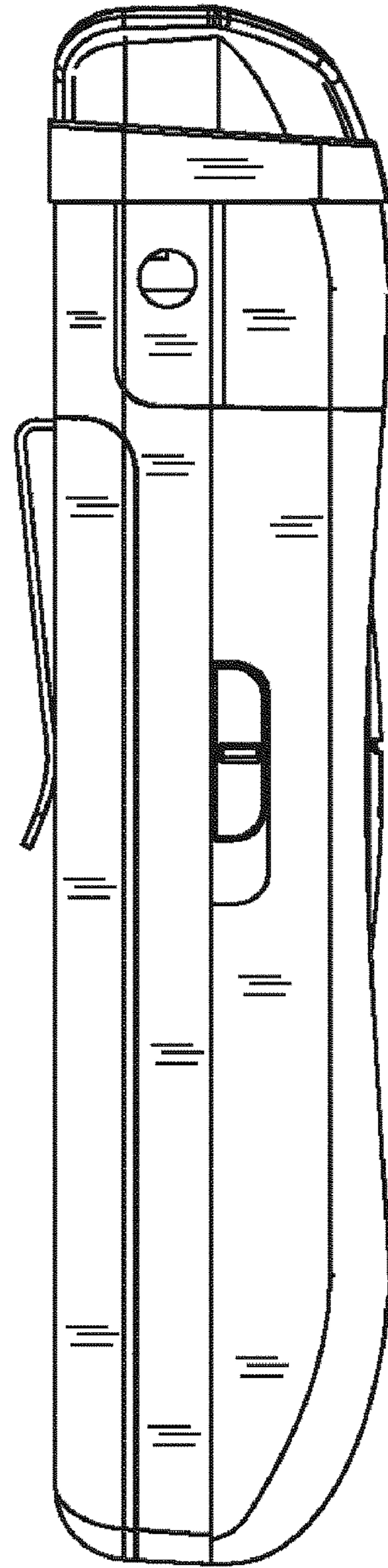


FIG. 5

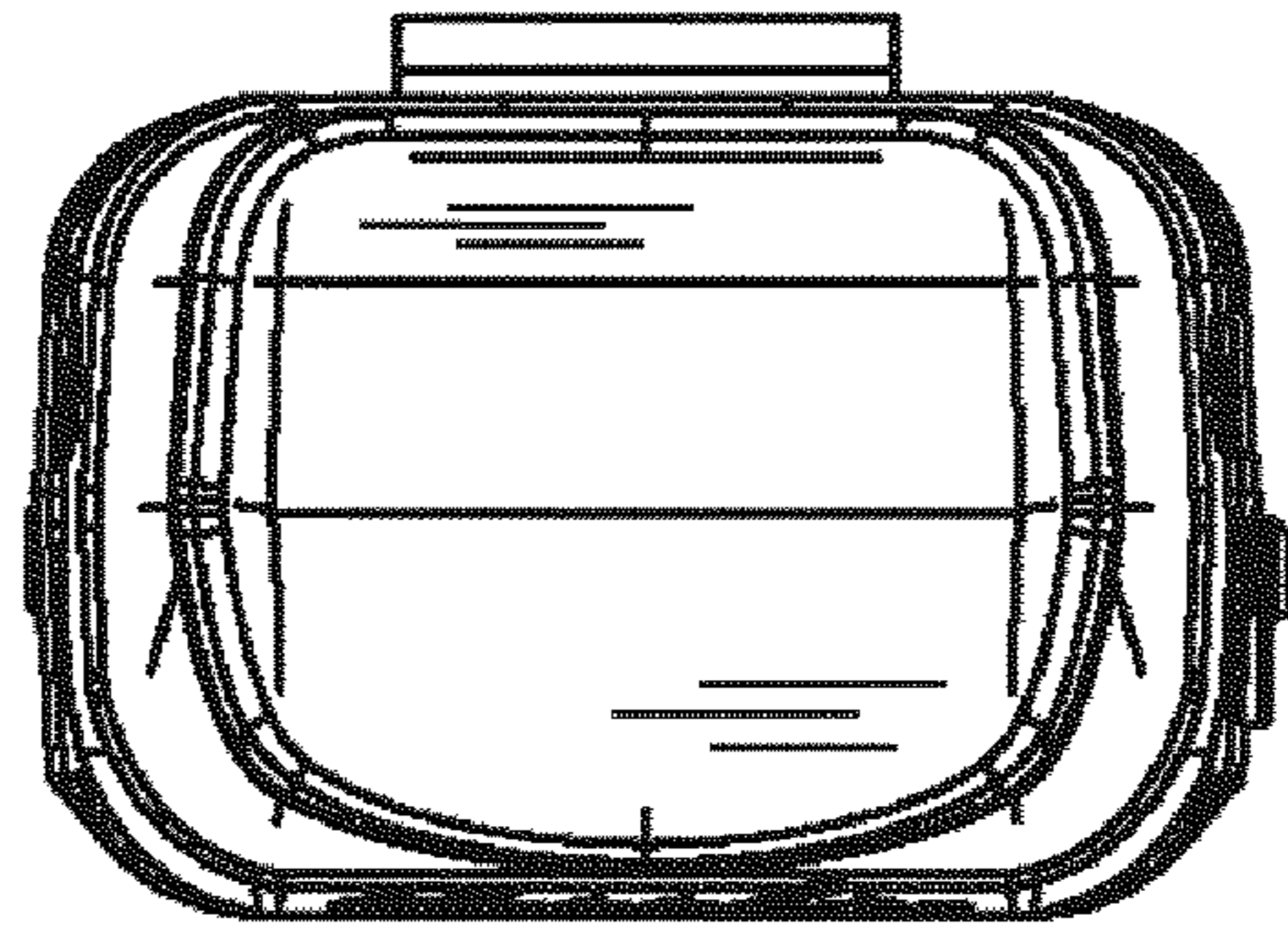


FIG. 6

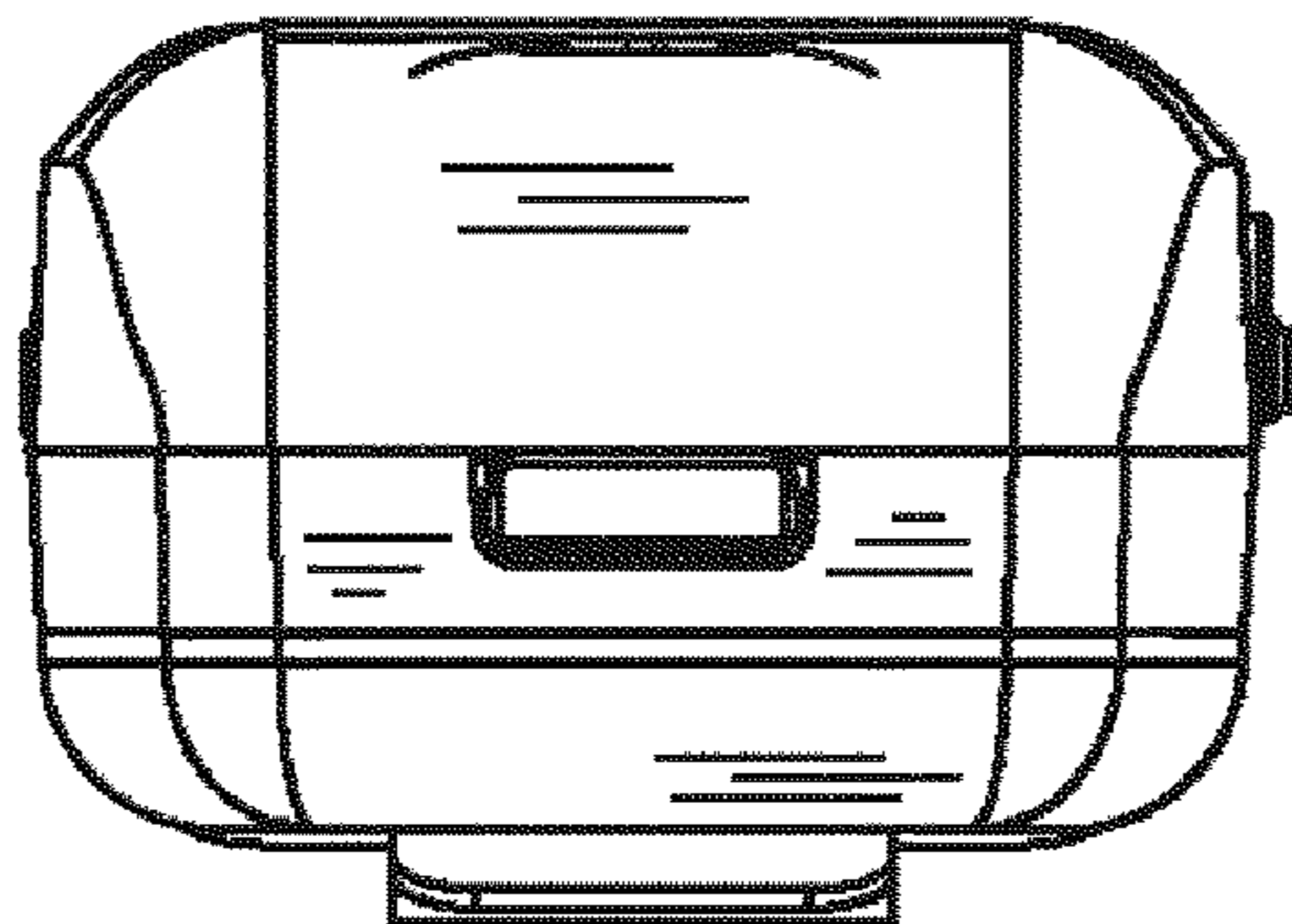


FIG. 7

UNITED STATES PATENT AND TRADEMARK OFFICE
CERTIFICATE OF CORRECTION

PATENT NO. : D649,139 S
APPLICATION NO. : 29/390882
DATED : November 22, 2011
INVENTOR(S) : James Van Waay

Page 1 of 1

It is certified that error appears in the above-identified patent and that said Letters Patent is hereby corrected as shown below:

Title Page, Item (12)

The inventor's last name printed as "Waay," should properly be printed as "Van Waay."

Signed and Sealed this
Sixth Day of March, 2012

A handwritten signature in black ink that reads "David J. Kappos". The signature is written in a cursive style with a large initial 'D' and 'K'.

David J. Kappos
Director of the United States Patent and Trademark Office