



US00D649138S

(12) **United States Design Patent**
Akana et al.

(10) **Patent No.:** **US D649,138 S**

(45) **Date of Patent:** **** Nov. 22, 2011**

(54) **REMOTE CONTROL**

(75) Inventors: **Jody Akana**, San Francisco, CA (US);
Bartley K. Andre, Menlo Park, CA
(US); **Jeremy Bataillou**, San Francisco,
CA (US); **Daniel J. Coster**, San
Francisco, CA (US); **Daniel De Iuliis**,
San Francisco, CA (US); **Evans**
Hankey, San Francisco, CA (US);
Richard P. Howarth, San Francisco, CA
(US); **Jonathan P. Ive**, San Francisco,
CA (US); **Duncan Robert Kerr**, San
Francisco, CA (US); **Shin Nishibori**,
Portola Valley, CA (US); **Matthew Dean**
Rohrbach, San Francisco, CA (US);
Peter Russell-Clarke, San Francisco,
CA (US); **Christopher J. Stringer**, San
Francisco, CA (US); **Eugene Antony**
Whang, San Francisco, CA (US); **Rico**
Zorkendorfer, San Francisco, CA (US)

(73) Assignee: **Apple Inc.**, Cupertino, CA (US)

(**) Term: **14 Years**

(21) Appl. No.: **29/391,544**

(22) Filed: **May 10, 2011**

Related U.S. Application Data

(60) Continuation of application No. 29/366,344, filed on
Jul. 23, 2010, which is a division of application No.
29/345,286, filed on Oct. 13, 2009, now Pat. No. Des.
620,456.

(51) **LOC (9) Cl.** **08-08**

(52) **U.S. Cl.** **D14/218; D13/168**

(58) **Field of Classification Search** D14/174,
D14/137-139, 151, 217, 218, 191-193, 167,
D14/299, 168, 247, 455, 456; D13/168,
D13/162-164; D21/512-517, 566; D10/104,
D10/106; 345/169; 348/114, 734; 455/352-355,
455/151.1-151.4, 128, 347, 90.3

See application file for complete search history.

(56) **References Cited**

U.S. PATENT DOCUMENTS

D381,663	S	*	7/1997	Friis	D14/141.3
D433,404	S	*	11/2000	Thakur	D14/218
D475,359	S	*	6/2003	Hirose	D14/480.1
D477,590	S		7/2003	Ahn		
D496,031	S		9/2004	Ma et al.		
D500,301	S		12/2004	Deguchi		
D500,485	S		1/2005	Deguchi		
D509,480	S		9/2005	Li		
D531,586	S	*	11/2006	Poulet	D13/168
D534,921	S		1/2007	Andre et al.		

(Continued)

Primary Examiner — Celia Murphy

Assistant Examiner — John Windmuller

(74) *Attorney, Agent, or Firm* — Sterne, Kessler, Goldstein
& Fox PLLC

(57) **CLAIM**

The ornamental design for a remote control, as shown and
described.

DESCRIPTION

FIG. 1 is a bottom front perspective view of a remote control
showing our new design;

FIG. 2 is a bottom rear perspective view thereof;

FIG. 3 is top front perspective view thereof;

FIG. 4 is top rear perspective view thereof;

FIG. 5 is a front view thereof;

FIG. 6 is a rear view thereof;

FIG. 7 is a left side view thereof;

FIG. 8 is right side view thereof;

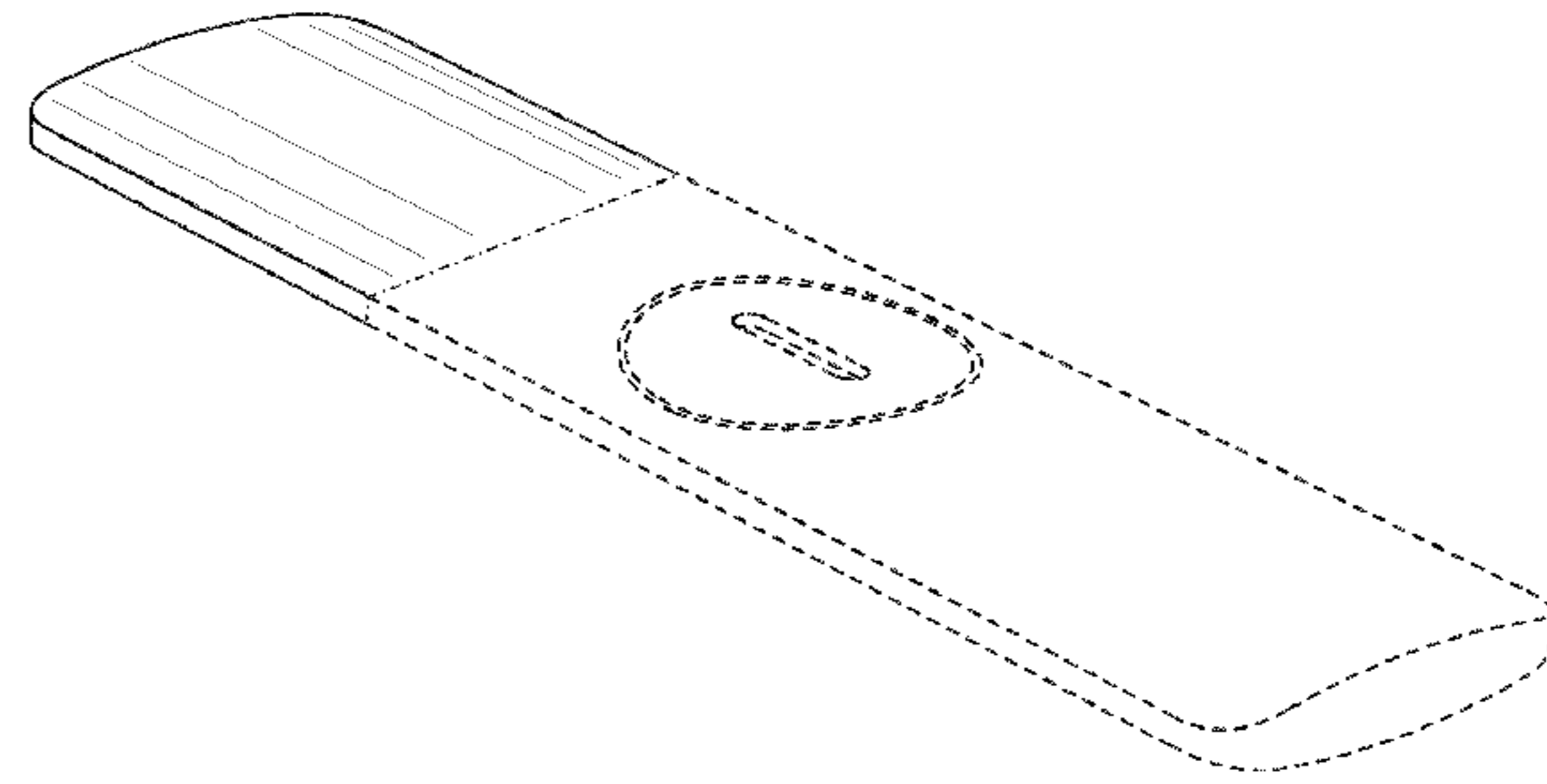
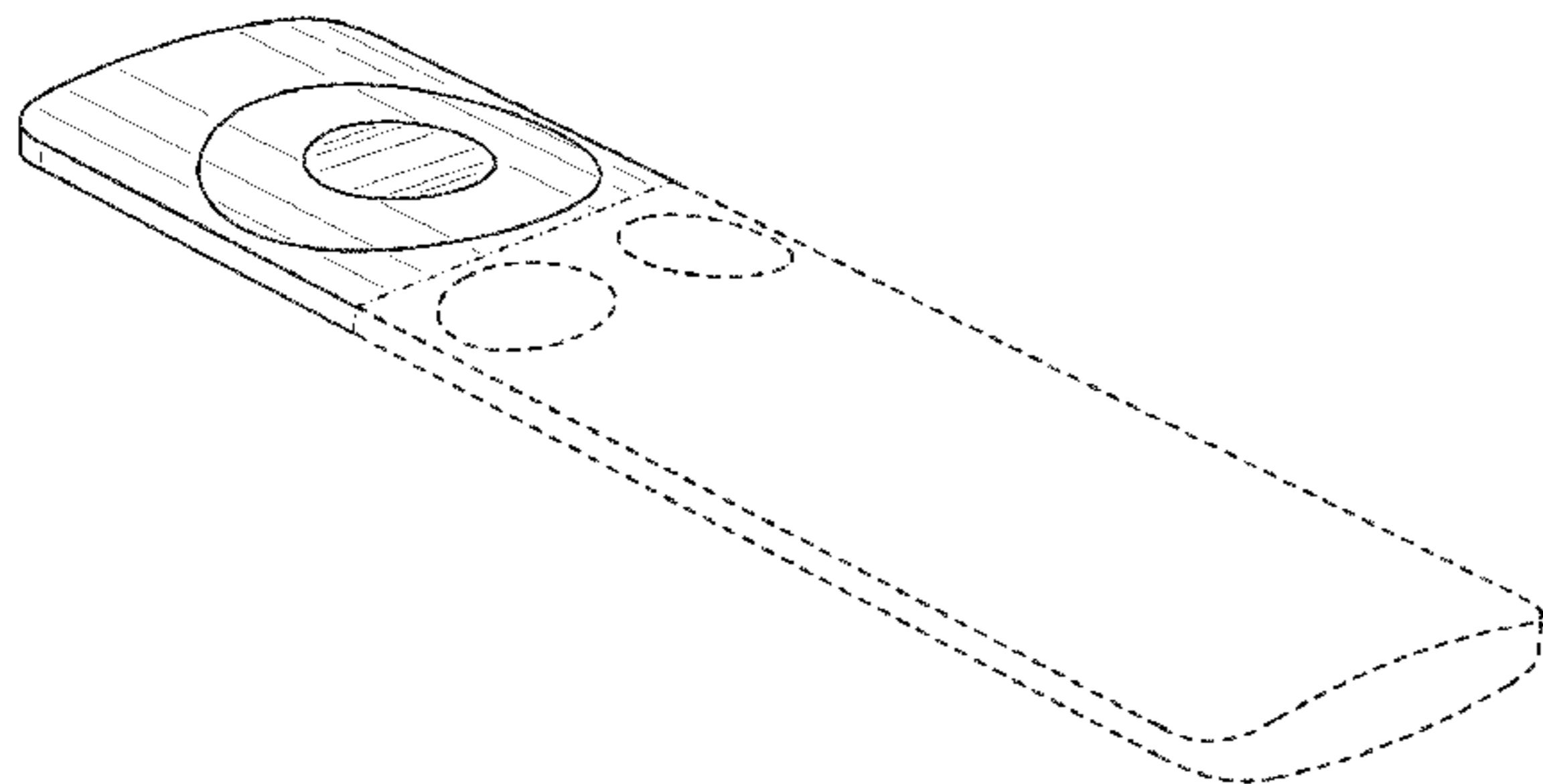
FIG. 9 is a top plan view thereof; and,

FIG. 10 is a bottom plan view thereof.

The shade lines in the Figures show contour and not surface
ornamentation.

The dot dash lines in the Figures represent an unclaimed
boundary line and form no part of the claimed design. The
dashed lines in the Figures show portions of the remote control
which form no part of the claimed design.

1 Claim, 4 Drawing Sheets



US D649,138 S

Page 2

U.S. PATENT DOCUMENTS

D539,814 S	4/2007	Andre et al.	
D547,327 S	7/2007	Kin	
D548,195 S	8/2007	Poulet	
D550,703 S	9/2007	Koizumi	
D551,215 S	9/2007	Lee et al.	
D556,154 S	11/2007	Poulet et al.	
D557,666 S *	12/2007	Schroter	D13/168
D560,230 S	1/2008	Yagi	
D567,801 S	4/2008	Trappler	
D568,827 S *	5/2008	Ikeda et al.	D13/168
D571,305 S	6/2008	Thursfield	
D578,168 S *	10/2008	Looks et al.	D21/369
D584,292 S	1/2009	Knight	
D585,077 S	1/2009	Sheba et al.	
D588,611 S	3/2009	Oh et al.	
D589,963 S	4/2009	Sheba et al.	
D592,677 S	5/2009	Sheba et al.	
D595,669 S	7/2009	Endo et al.	
D596,163 S	7/2009	Madonna et al.	
D602,473 S *	10/2009	Moller et al.	D14/218
D604,713 S	11/2009	Andre et al.	
D604,723 S	11/2009	Bodley et al.	
D605,635 S *	12/2009	Edahiro et al.	D14/218
D606,519 S *	12/2009	Painter	D14/218
D608,303 S	1/2010	Klausing et al.	
D608,765 S *	1/2010	Tsai et al.	D14/218
D609,695 S	2/2010	Cigliano et al.	
D611,433 S	3/2010	Tang et al.	
D626,530 S *	11/2010	Andre et al.	D14/203.3
D631,851 S *	2/2011	Smith et al.	D13/168
2004/0125078 A1	7/2004	Nishimori et al.	
2005/0024321 A1	2/2005	Tsai	

* cited by examiner

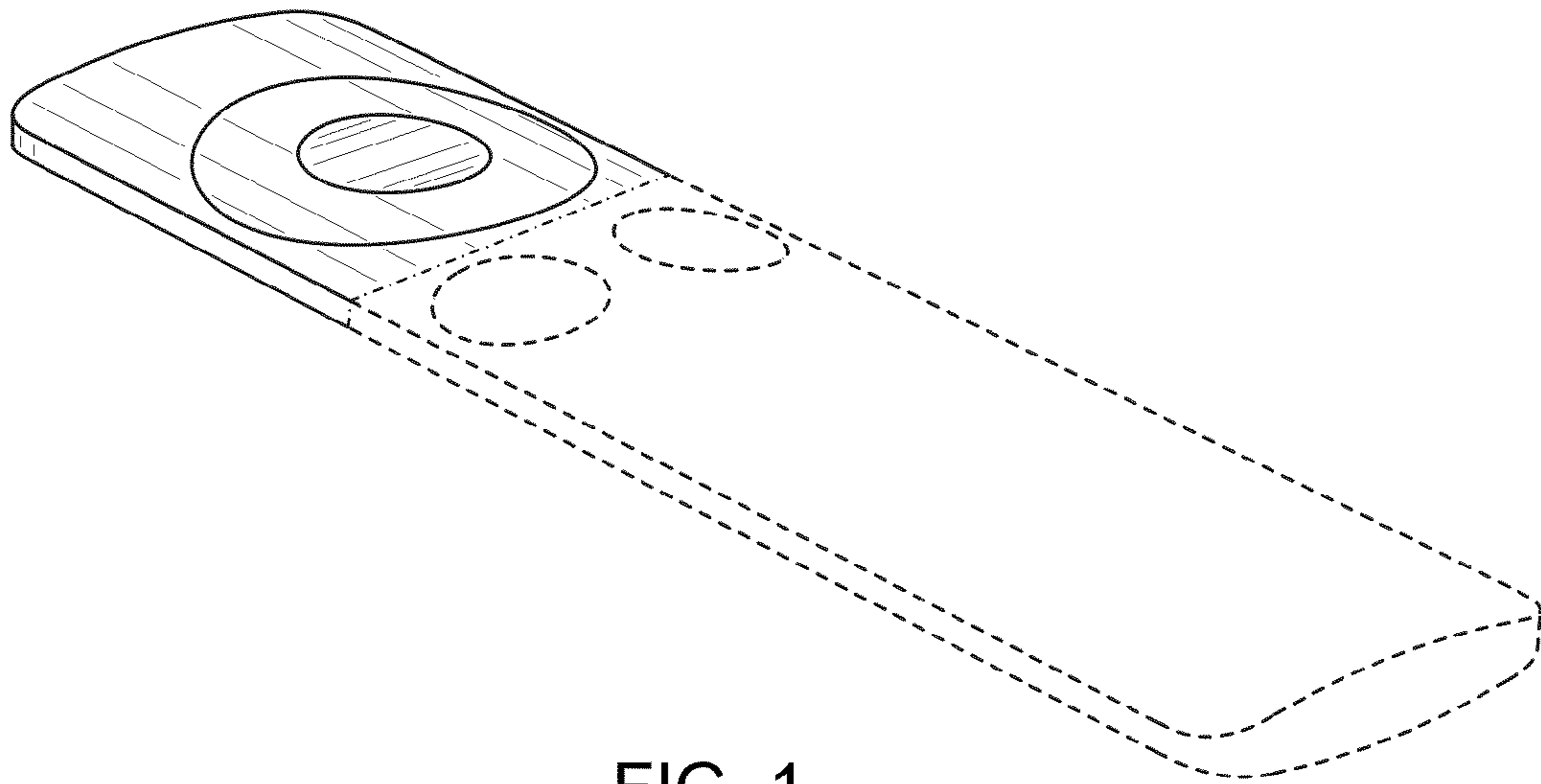


FIG. 1

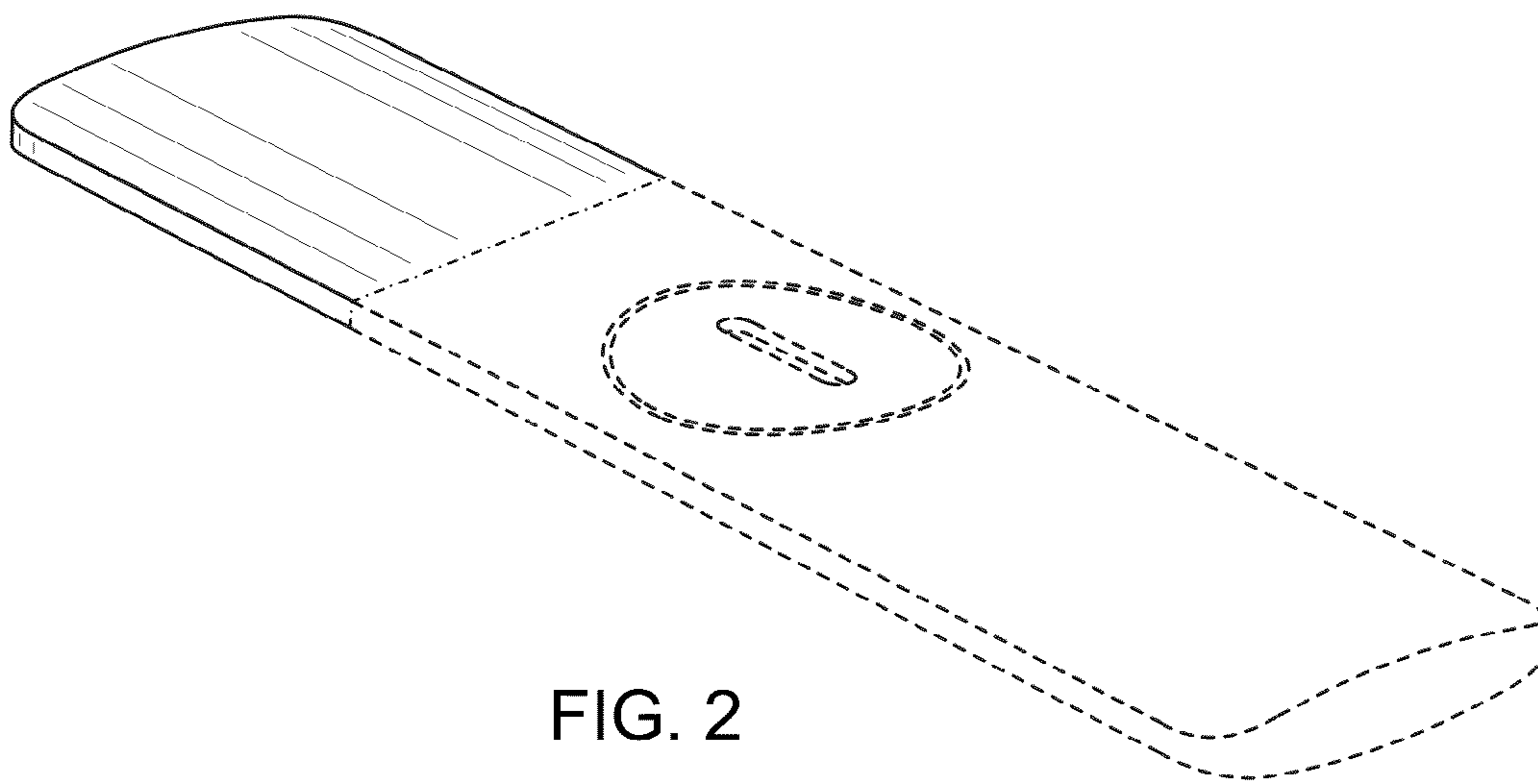


FIG. 2

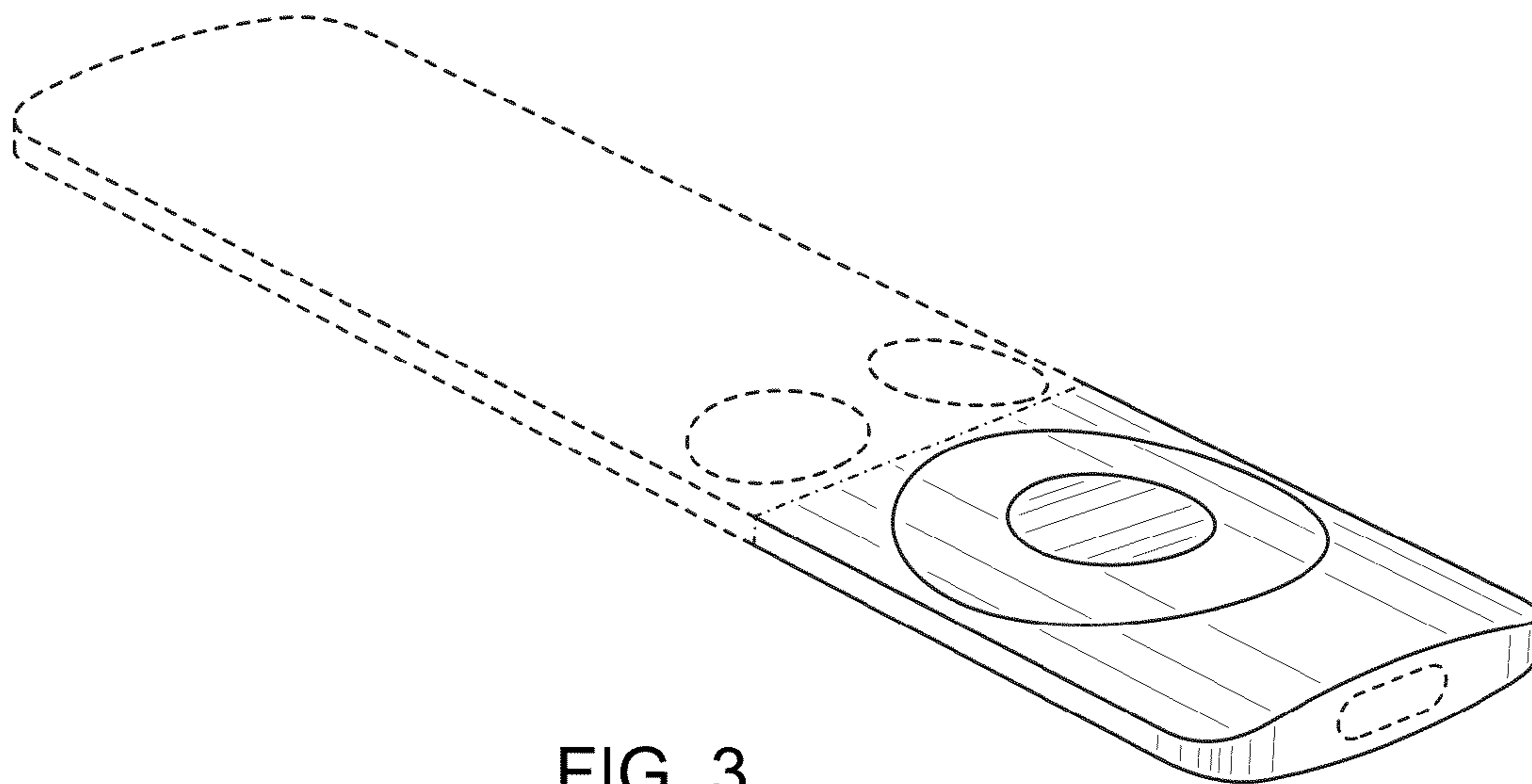


FIG. 3

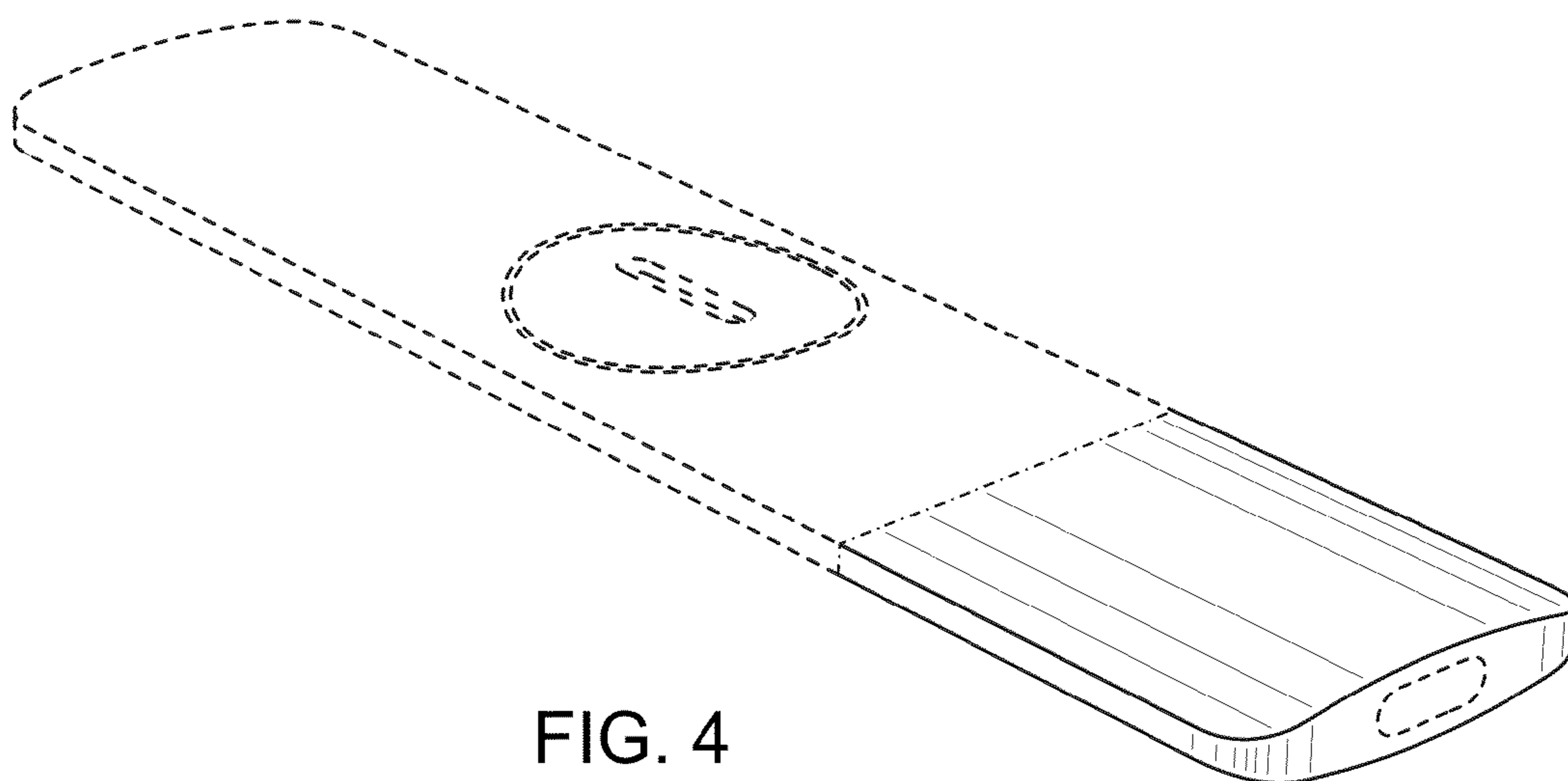


FIG. 4

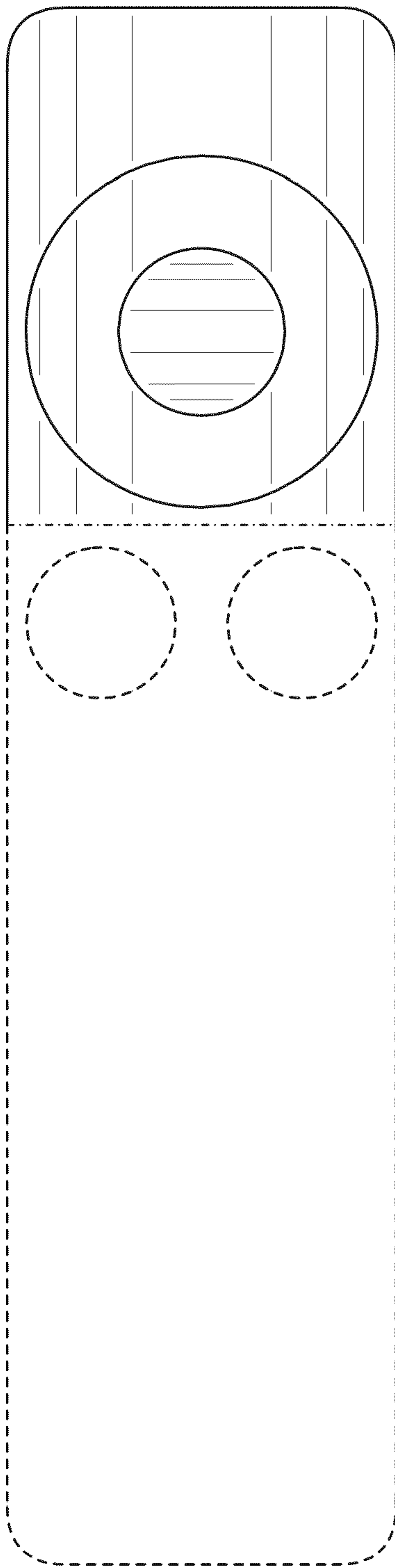


FIG. 5

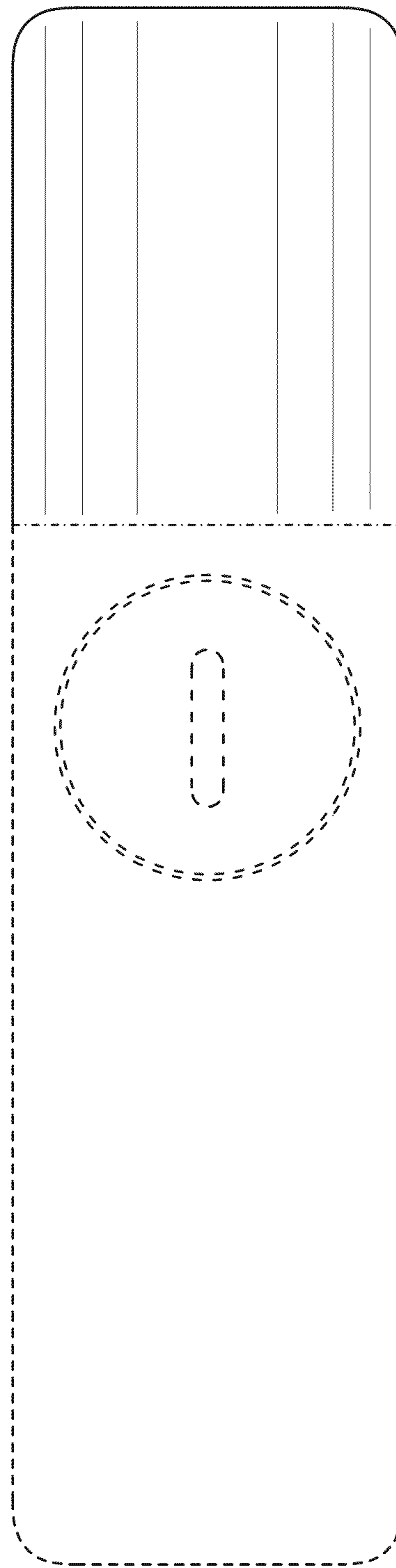


FIG. 6



FIG. 7



FIG. 8

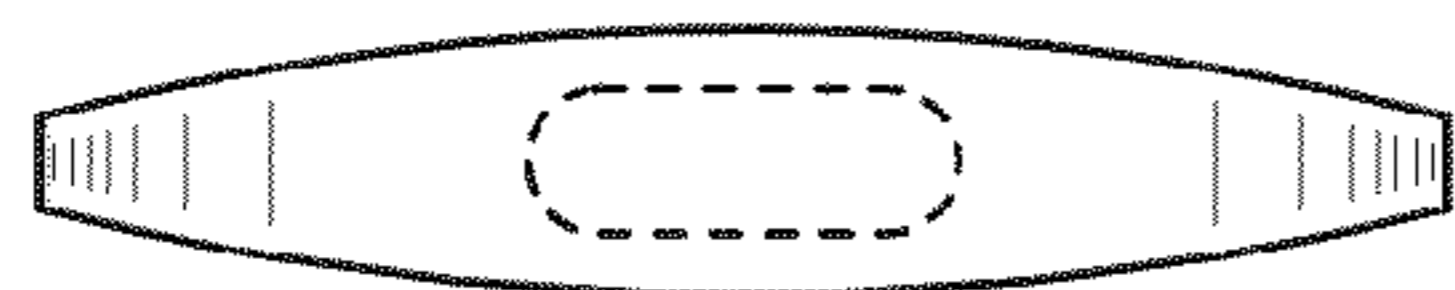


FIG. 9



FIG. 10