

US00D649137S

(12) **United States Design Patent**
DeVesto

(10) **Patent No.:** **US D649,137 S**

(45) **Date of Patent:** **** Nov. 22, 2011**

(54) **STAND-ALONE UNIVERSAL DOCK/CHARGER FOR A PORTABLE ELECTRONIC DEVICE**

D609,707 S * 2/2010 Lee D14/434
2007/0047198 A1 * 3/2007 Crooijmans et al. 361/686
2007/0217145 A1 * 9/2007 Sung 361/686

* cited by examiner

(76) Inventor: **Thomas DeVesto**, Cotuit, MA (US)

Primary Examiner — Prabhakar Deshmukh

(**) Term: **14 Years**

Assistant Examiner — Keli L Hill

(21) Appl. No.: **29/385,018**

(74) *Attorney, Agent, or Firm* — Chapin IP Law, LLC; Barry W. Chapin, Esq.

(22) Filed: **Feb. 8, 2011**

(51) **LOC (9) Cl.** **14-03**

(52) **U.S. Cl.** **D14/217; D14/434; D13/108**

(58) **Field of Classification Search** D14/140,
D14/142, 149, 155, 157, 188, 191–193, 203.1–203.8,
D14/217, 240, 243, 251, 253, 432–435.1,
D14/447, 451, 496, 474, 480.1–480.7; D13/107,
D13/118; D3/218; 248/221.11, 309.1; 320/107,
320/110, 113–115; 361/600; 439/529, 534;
455/556.1–556.2, 557

See application file for complete search history.

(57) **CLAIM**

The ornamental design for a stand alone universal dock/charger for a portable electronic device, as shown and described.

DESCRIPTION

FIG. 1 is a perspective view of a stand alone universal dock/charger for a portable electronic device, embodying my new design;

FIG. 2 is an alternate perspective view thereof;

FIG. 3 is a front elevation view thereof;

FIG. 4 is a rear elevation view thereof;

FIG. 5 is a side elevation view thereof;

FIG. 6 is a top plan view thereof; and,

FIG. 7 is a bottom plan view thereof.

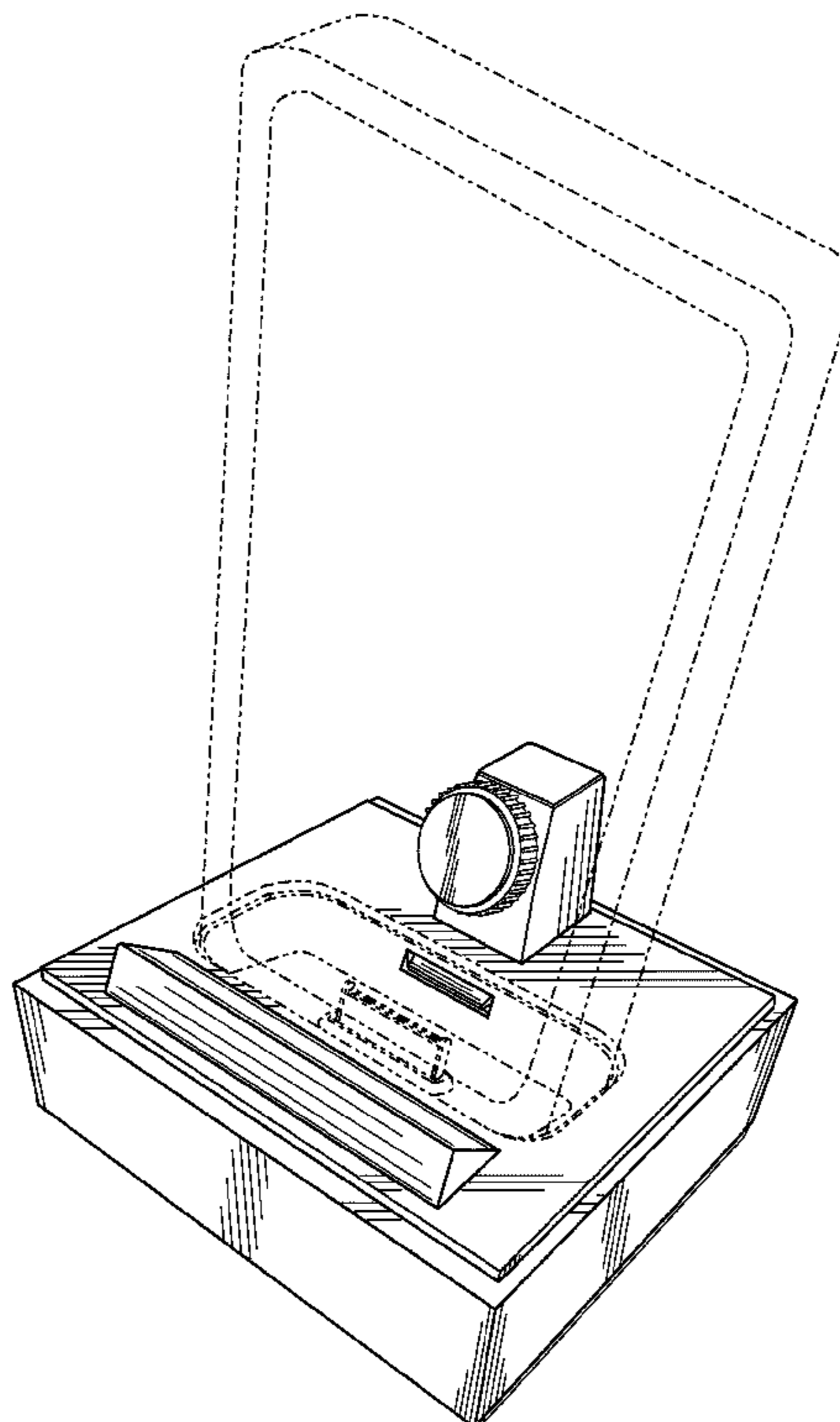
The broken line showing of the electronic device in FIG. 1 is included for the purpose of illustrating environment of the article, while all other broken lines shown are included for the purpose of illustrating the unclaimed portions of the article; all of the broken lines form no part of the claim.

(56) **References Cited**

U.S. PATENT DOCUMENTS

D532,005 S *	11/2006	Leith	D14/253
D540,802 S *	4/2007	Hussaini et al.	D14/434
D551,214 S *	9/2007	Hussaini et al.	D14/217
D551,658 S *	9/2007	Hussaini et al.	D14/217
D558,209 S *	12/2007	Ikeda et al.	D14/434
D558,739 S *	1/2008	Andre et al.	D14/217
D592,187 S *	5/2009	Ledbetter et al.	D14/217
D596,621 S *	7/2009	Andre et al.	D14/217
D599,784 S *	9/2009	Hansen et al.	D14/217
D607,879 S *	1/2010	Ferber et al.	D14/217

1 Claim, 6 Drawing Sheets



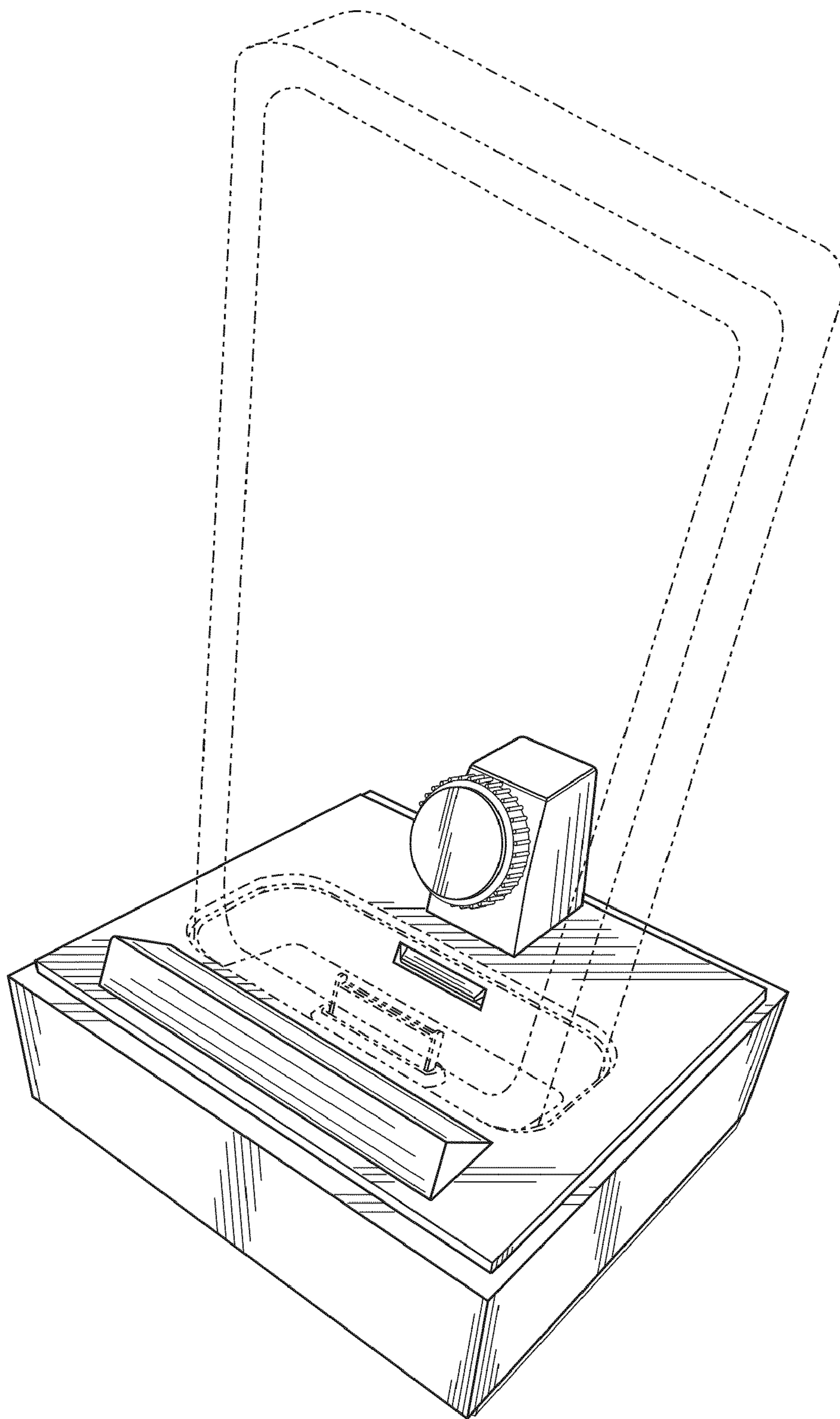


FIG. 1

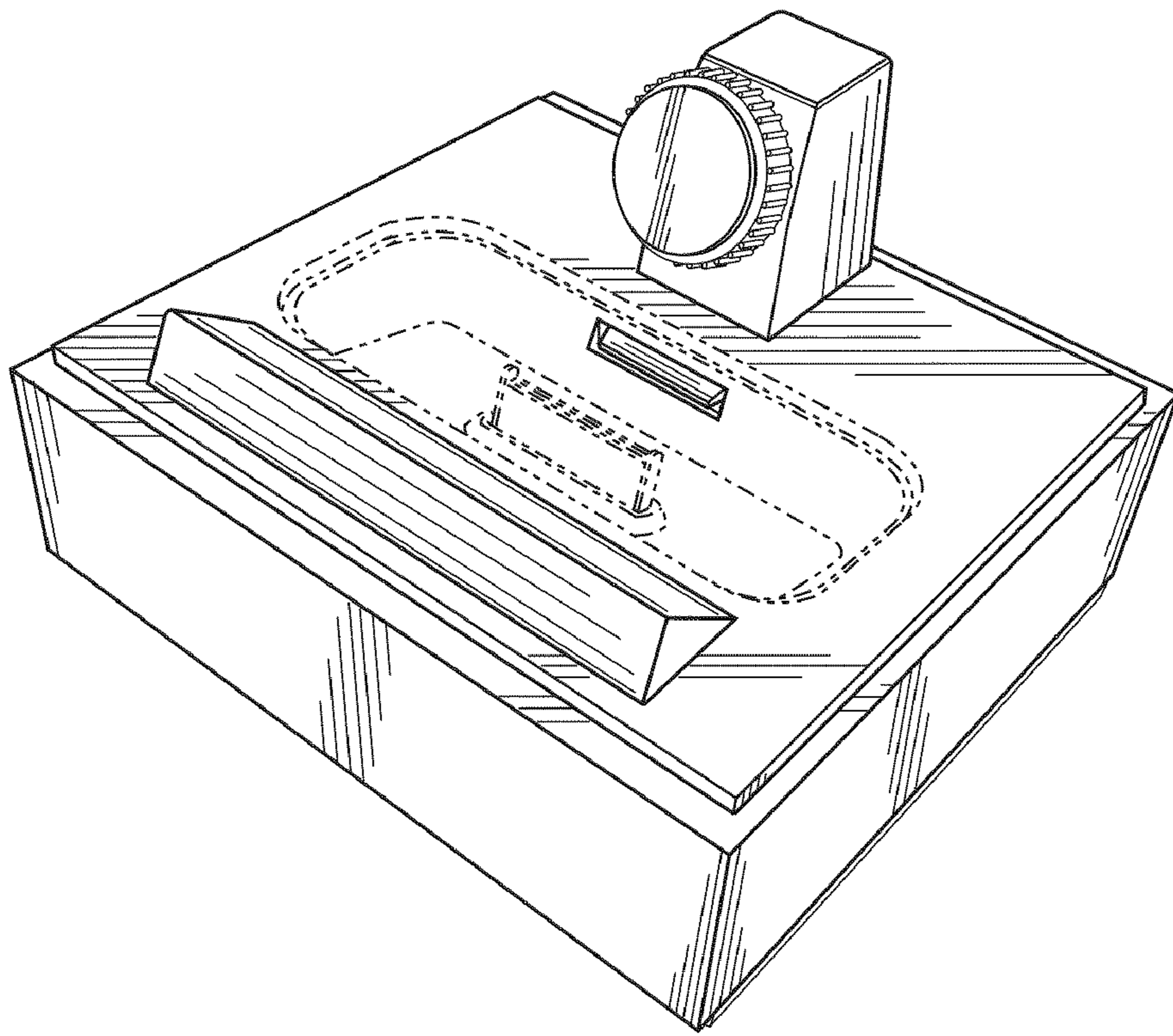


FIG. 2

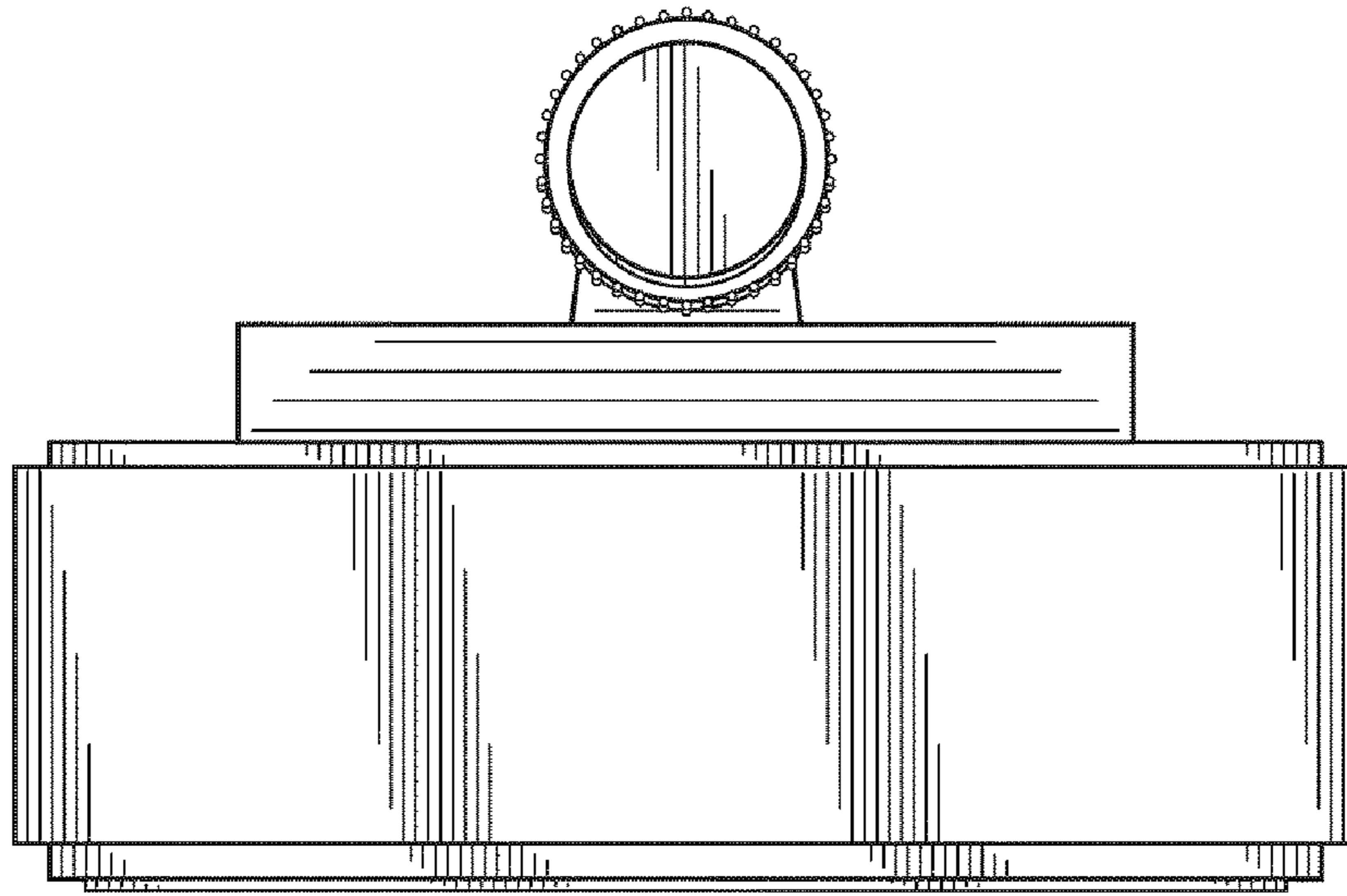


FIG. 3

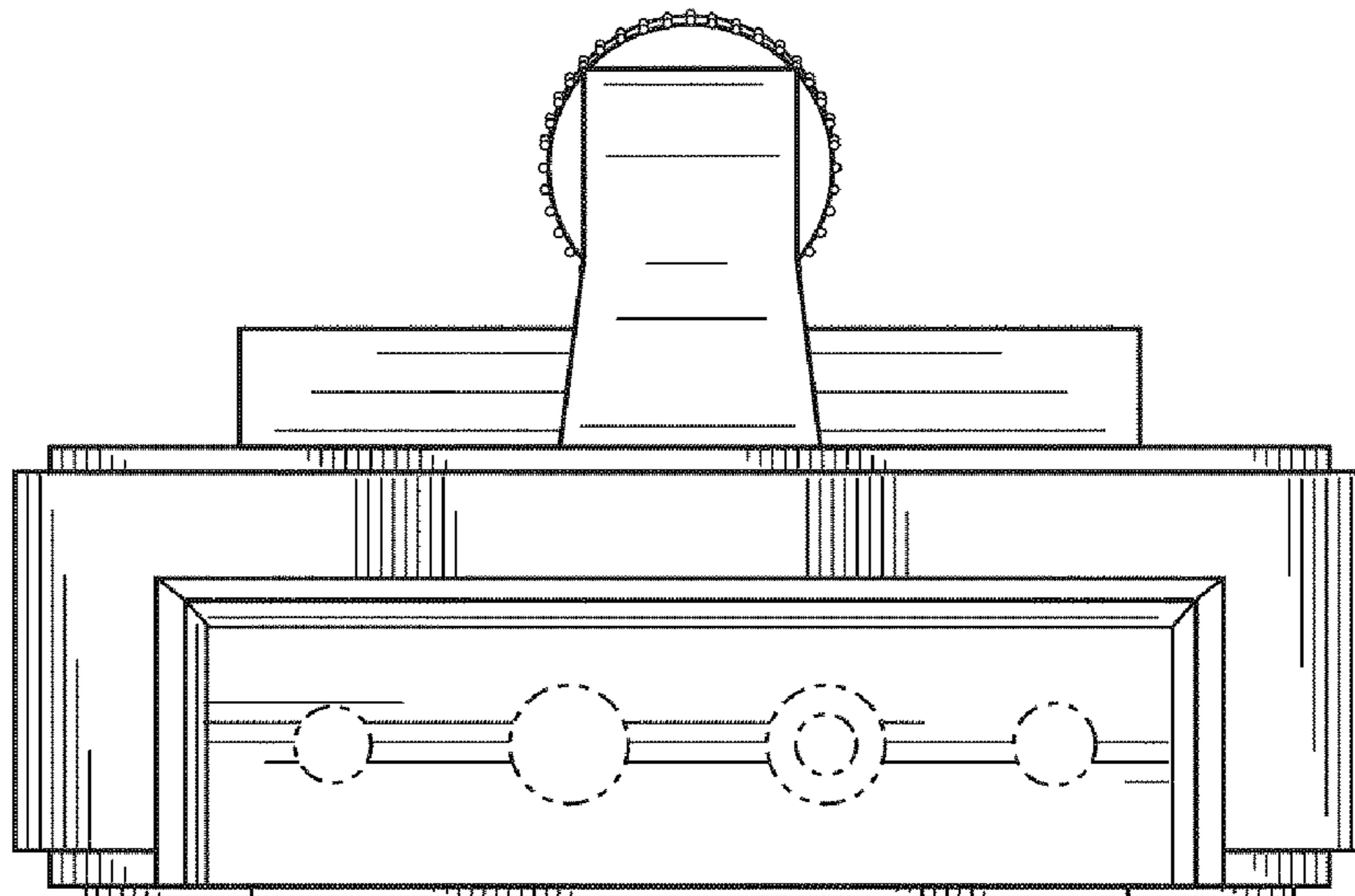


FIG. 4

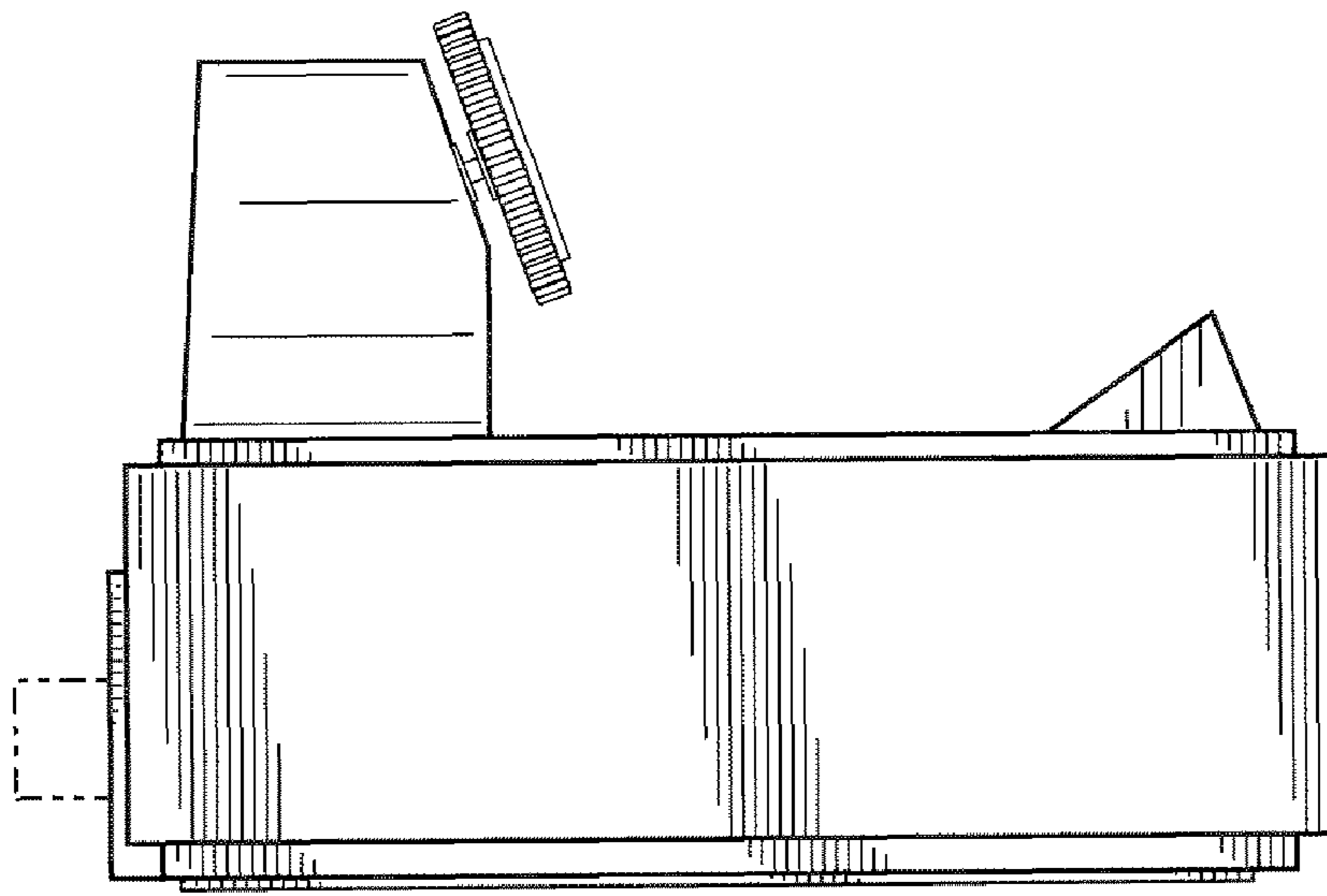


FIG. 5

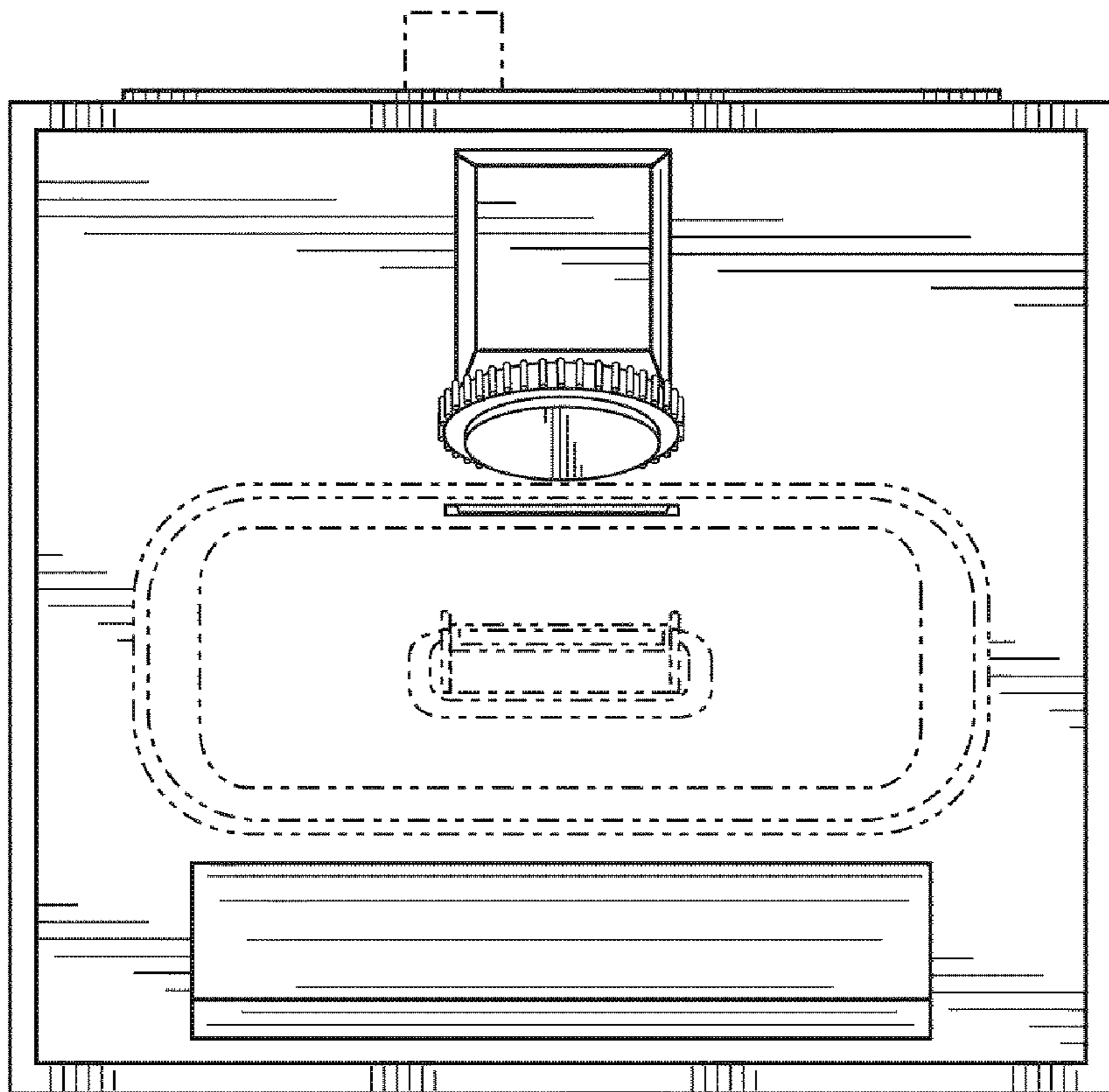


FIG. 6

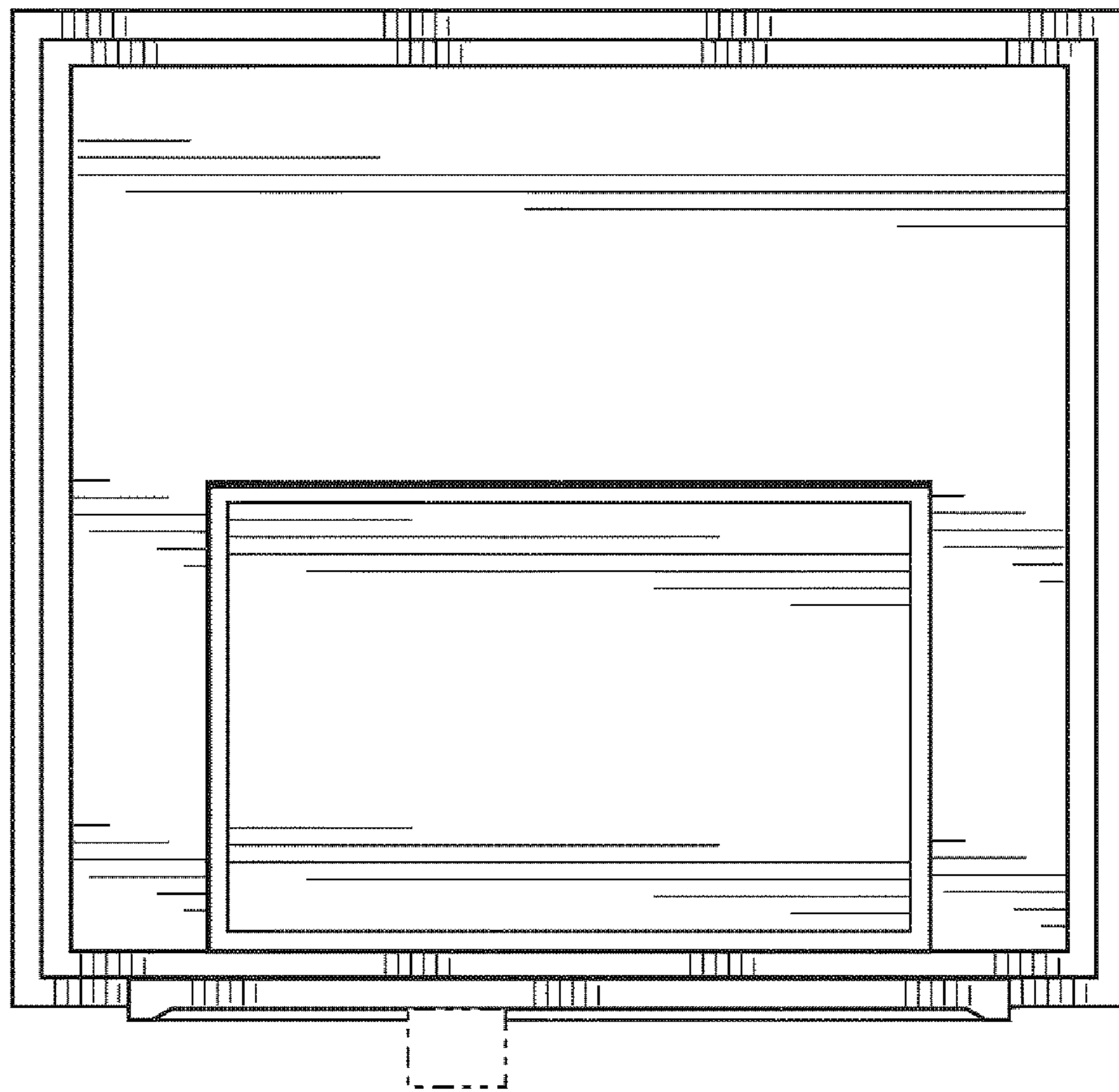


FIG. 7