



US00D649129S

(12) **United States Design Patent**
Li et al.

(10) **Patent No.:** **US D649,129 S**
(45) **Date of Patent:** **** Nov. 22, 2011**

(54) **DVD PLAYER**

(75) Inventors: **Zhao-Yong Li**, Shenzhen (CN);
Xue-Feng Wan, Shenzhen (CN); **Yun Wang**, Shenzhen (CN)

(73) Assignee: **Hon Hai Precision Industry Co., Ltd.**,
Tu-Cheng, New Taipei (TW)

(**) Term: **14 Years**

(21) Appl. No.: **29/382,183**

(22) Filed: **Dec. 30, 2010**

(51) **LOC (9) Cl.** **14-03**

(52) **U.S. Cl.** **D14/132; D14/501**

(58) **Field of Classification Search** D14/125–134,
D14/239, 371, 136, 374–377, 440, 450, 448,
D14/336, 342; 312/7.2; 348/836, 838, 180,
348/184, 325, 739; 341/12; 248/917–924,
248/465; 345/104, 133, 156, 168, 87, 173;
720/605, 669, 600, 655; 369/99, 197; 455/344,
455/347; D21/329, 515, 577, 622, 333, 433,
D21/448, 452, 450, 331; D6/477, 479, 300;
273/148 B; 446/484, 175, 356; D10/15,
D10/26

See application file for complete search history.

(56) **References Cited**

U.S. PATENT DOCUMENTS

D415,147 S * 10/1999 Adachi D14/126
D468,276 S * 1/2003 Chang D14/126

D518,010 S * 3/2006 Peng D14/129
D519,956 S * 5/2006 Peng D14/129
D548,208 S * 8/2007 Liang et al. D14/129
D551,196 S * 9/2007 Hsiung D14/129
D556,161 S * 11/2007 Hsiung D14/129
D562,786 S * 2/2008 Zayana D14/126
D566,074 S * 4/2008 Wada D14/129
D596,173 S * 7/2009 Arfin D14/307
D597,981 S * 8/2009 Kuether et al. D14/132
7,996,051 B2 * 8/2011 Demuynck 455/575.3

* cited by examiner

Primary Examiner — Raphael Barkai

(74) *Attorney, Agent, or Firm* — Altis Law Group, Inc.

(57) **CLAIM**

The ornamental design for DVD player, as shown.

DESCRIPTION

FIG. 1 is a front perspective view of a DVD player showing our new design;

FIG. 2 is a front elevational view thereof;

FIG. 3 is a rear elevational view thereof;

FIG. 4 is a left side, elevational view thereof;

FIG. 5 is a right side, elevational view thereof;

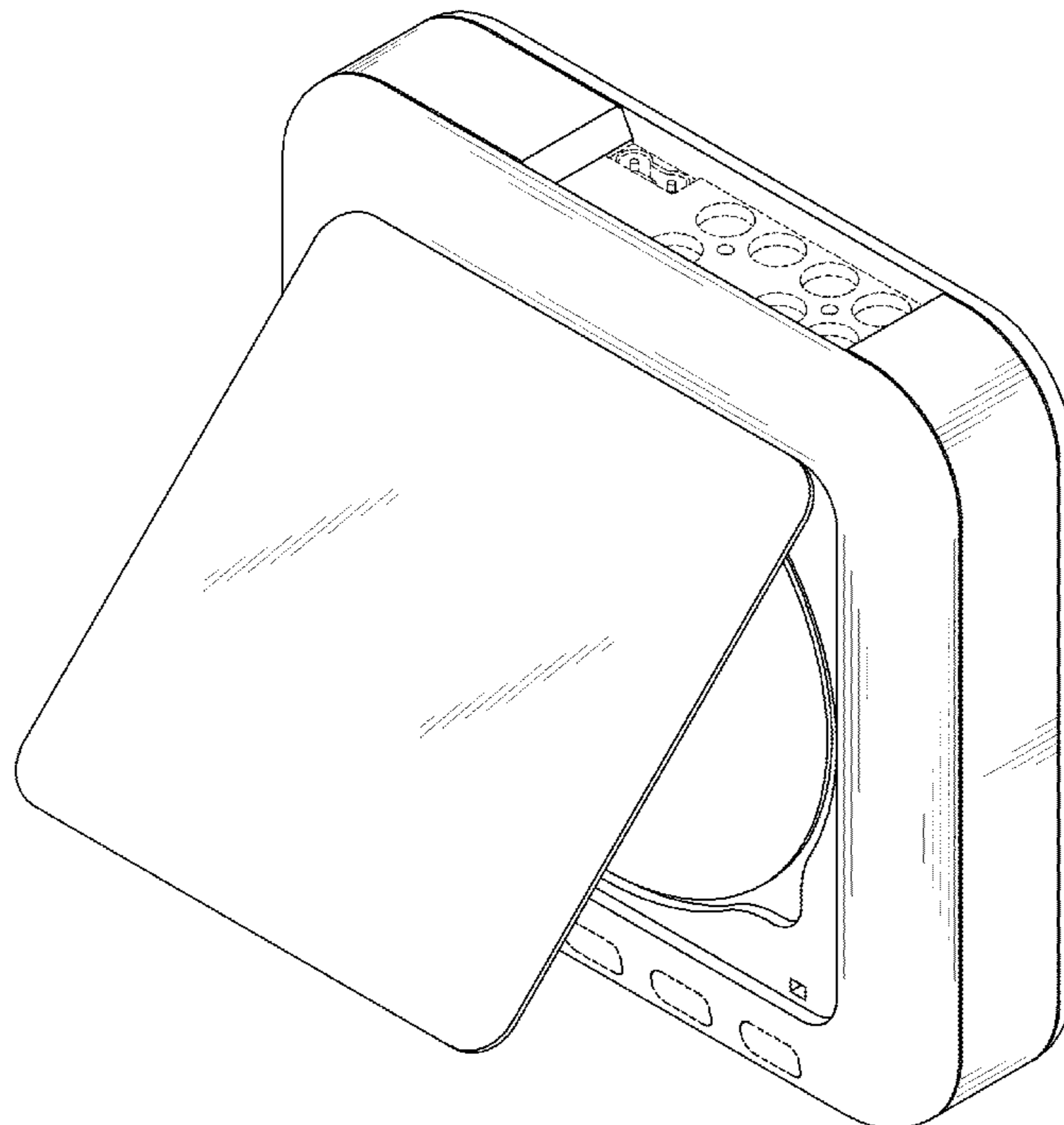
FIG. 6 is a top plan view thereof;

FIG. 7 is a bottom plan view thereof; and,

FIG. 8 is a perspective view showing the DVD player being in an open state.

The broken lines of all the figures are for the purpose of illustrating environmental structure and forms no part of the claimed design.

1 Claim, 8 Drawing Sheets



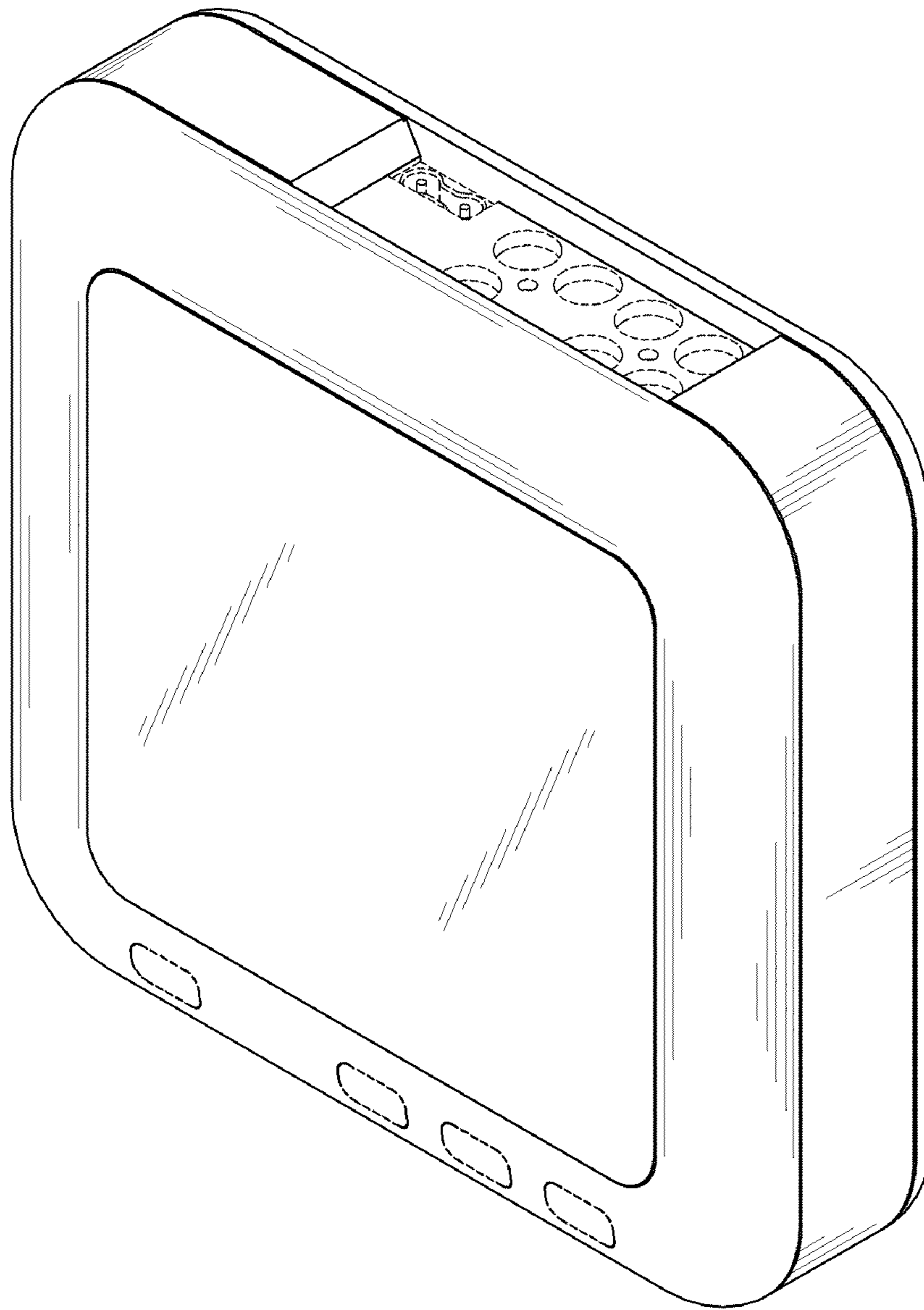


FIG. 1

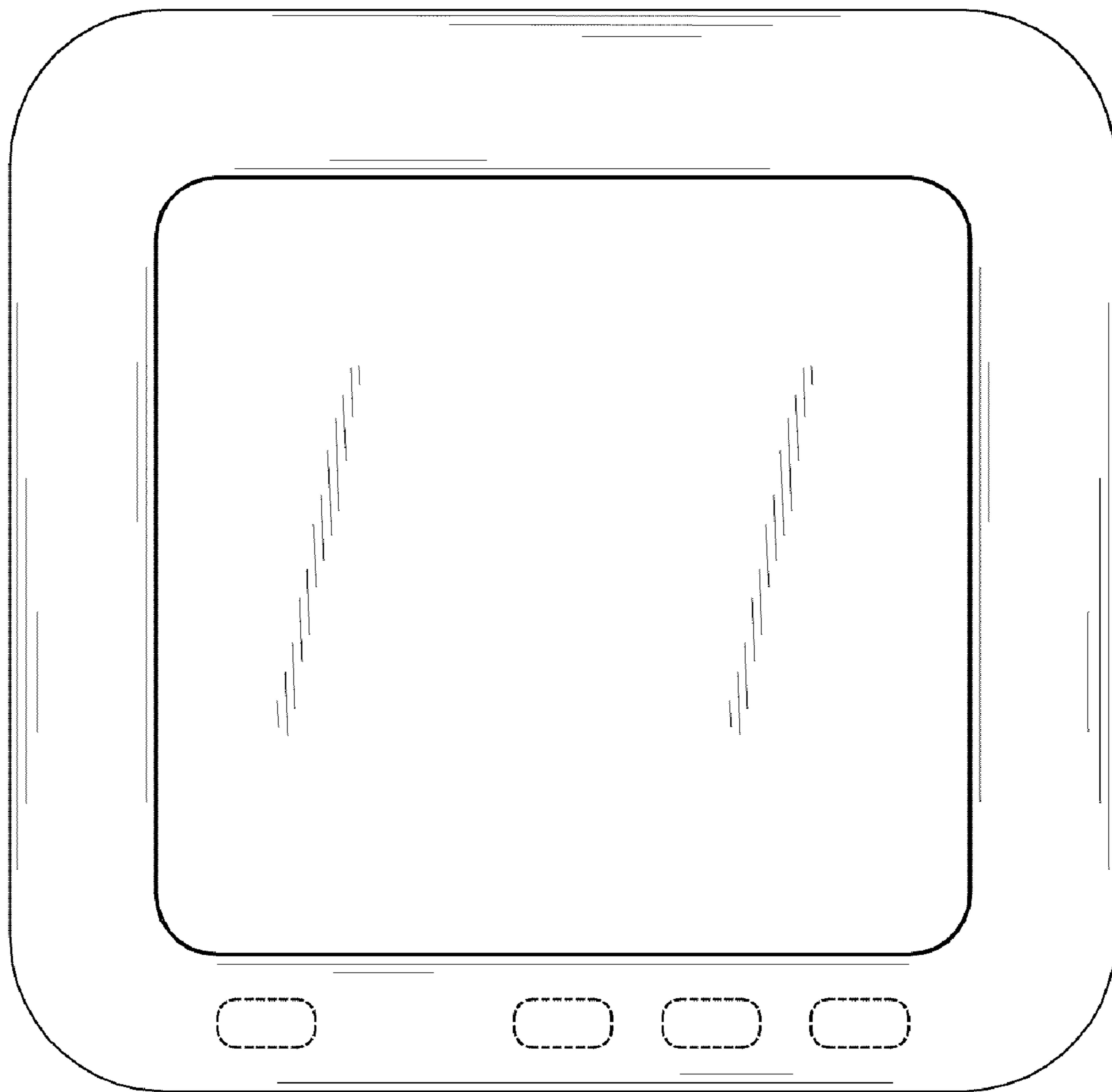


FIG. 2

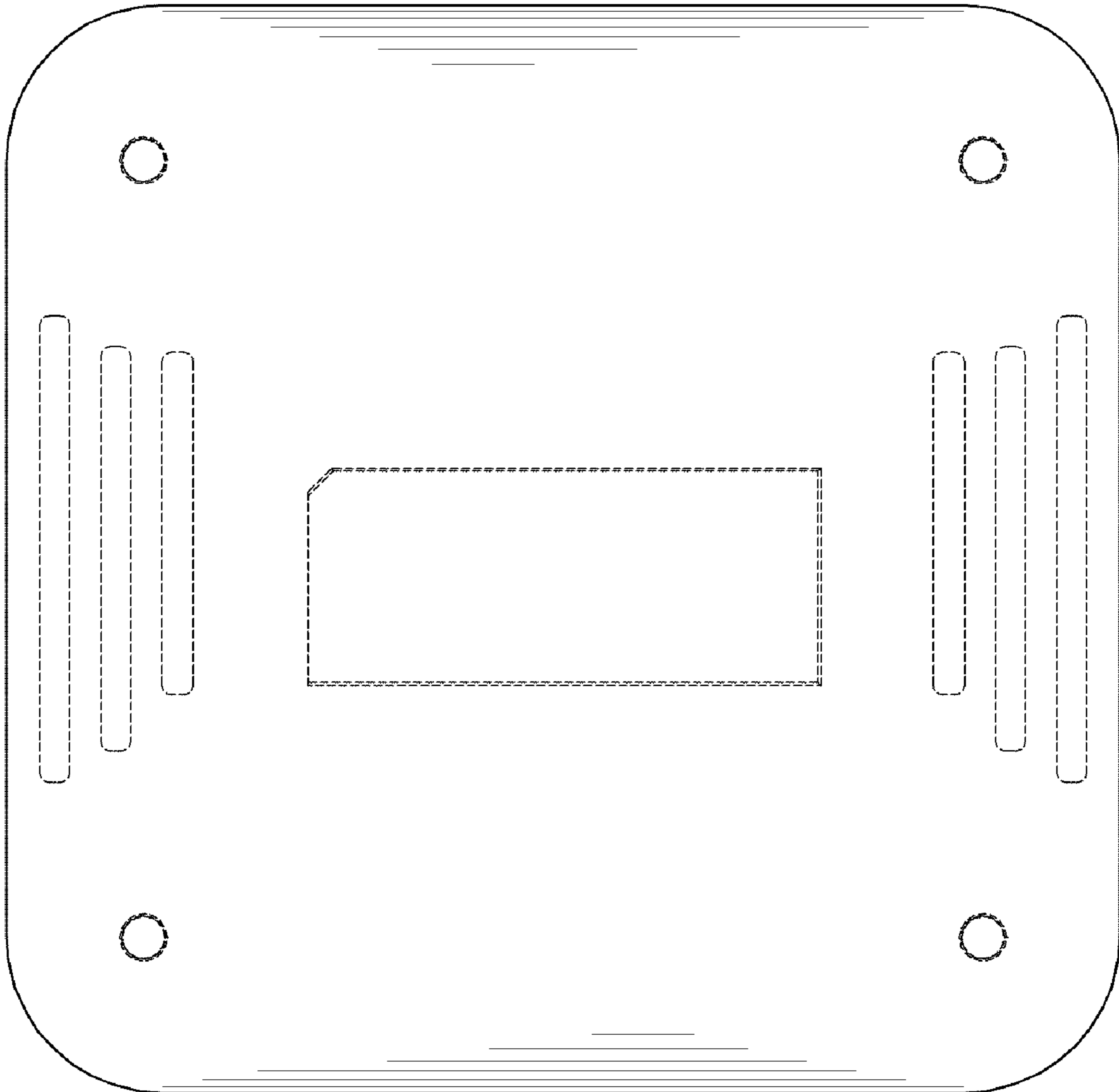


FIG. 3

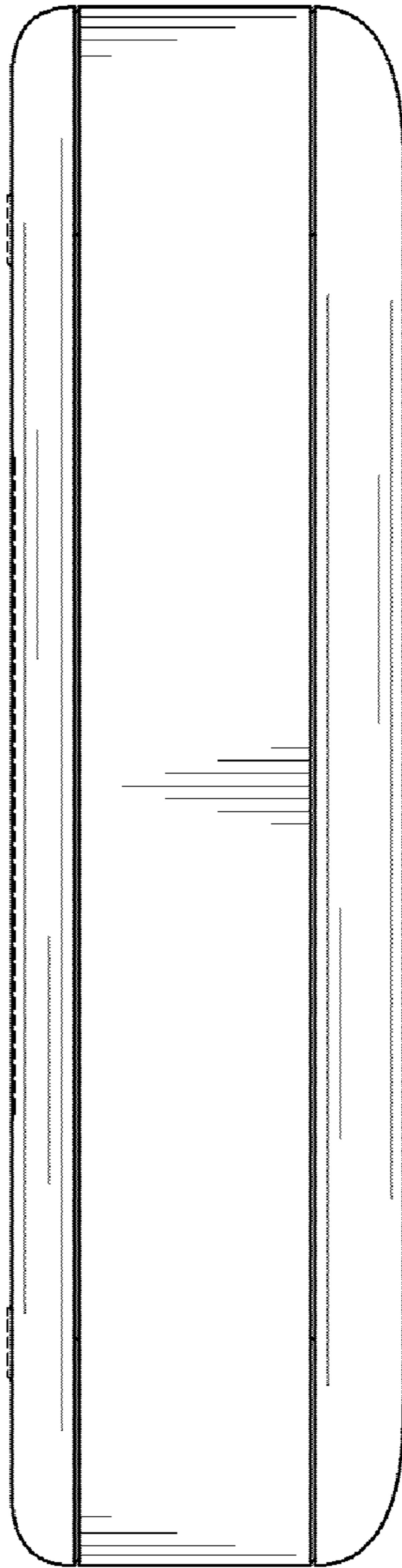


FIG. 4

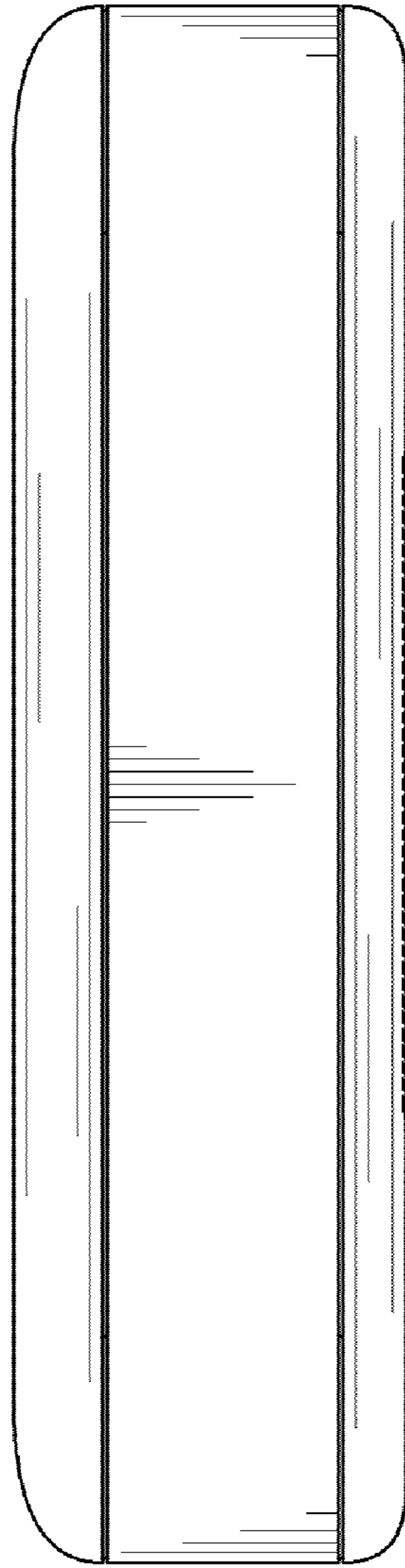


FIG. 5

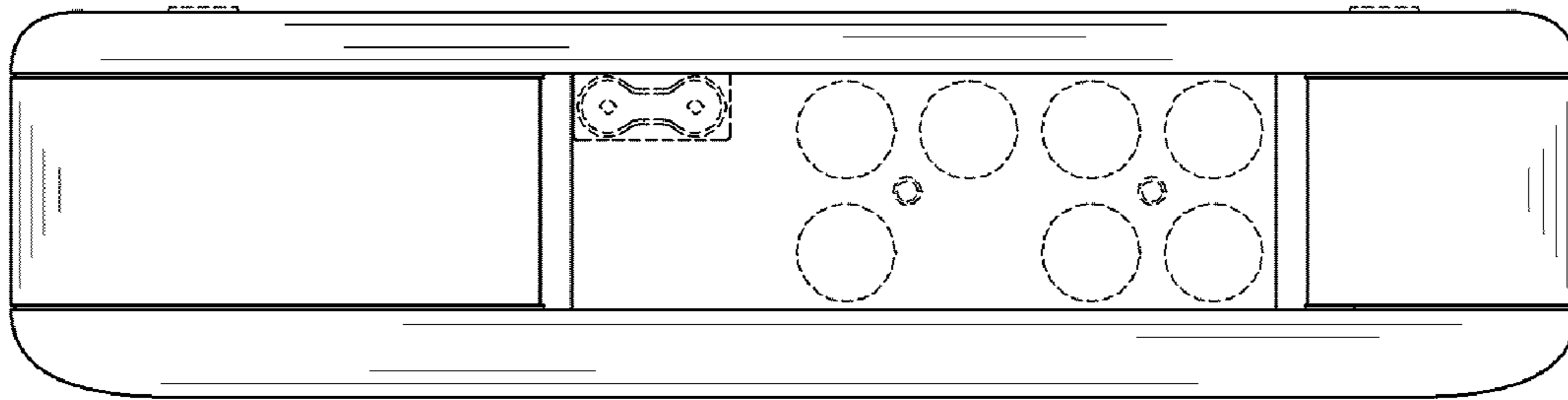


FIG. 6

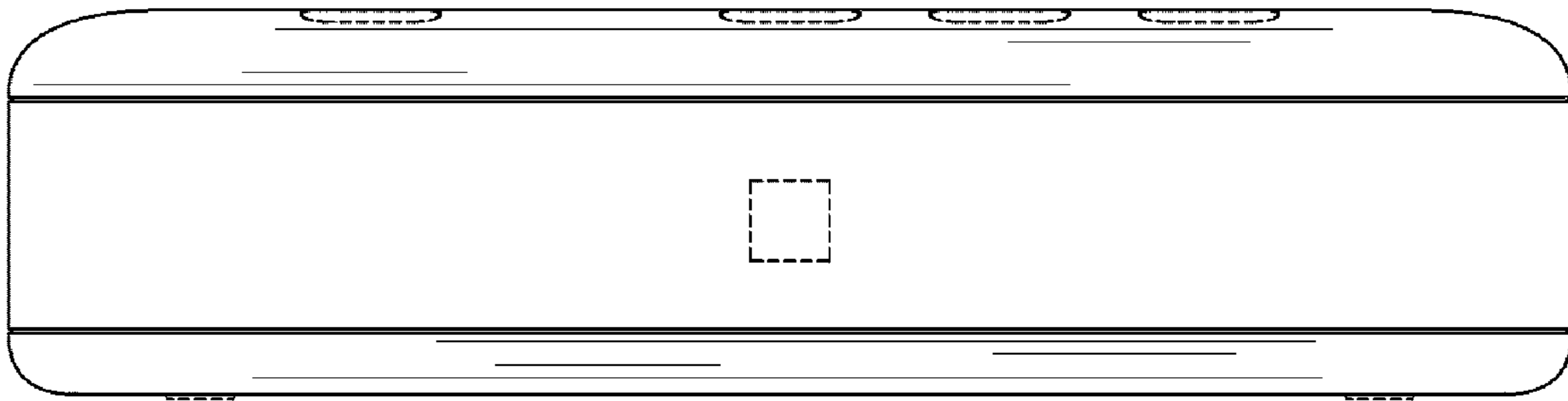


FIG. 7

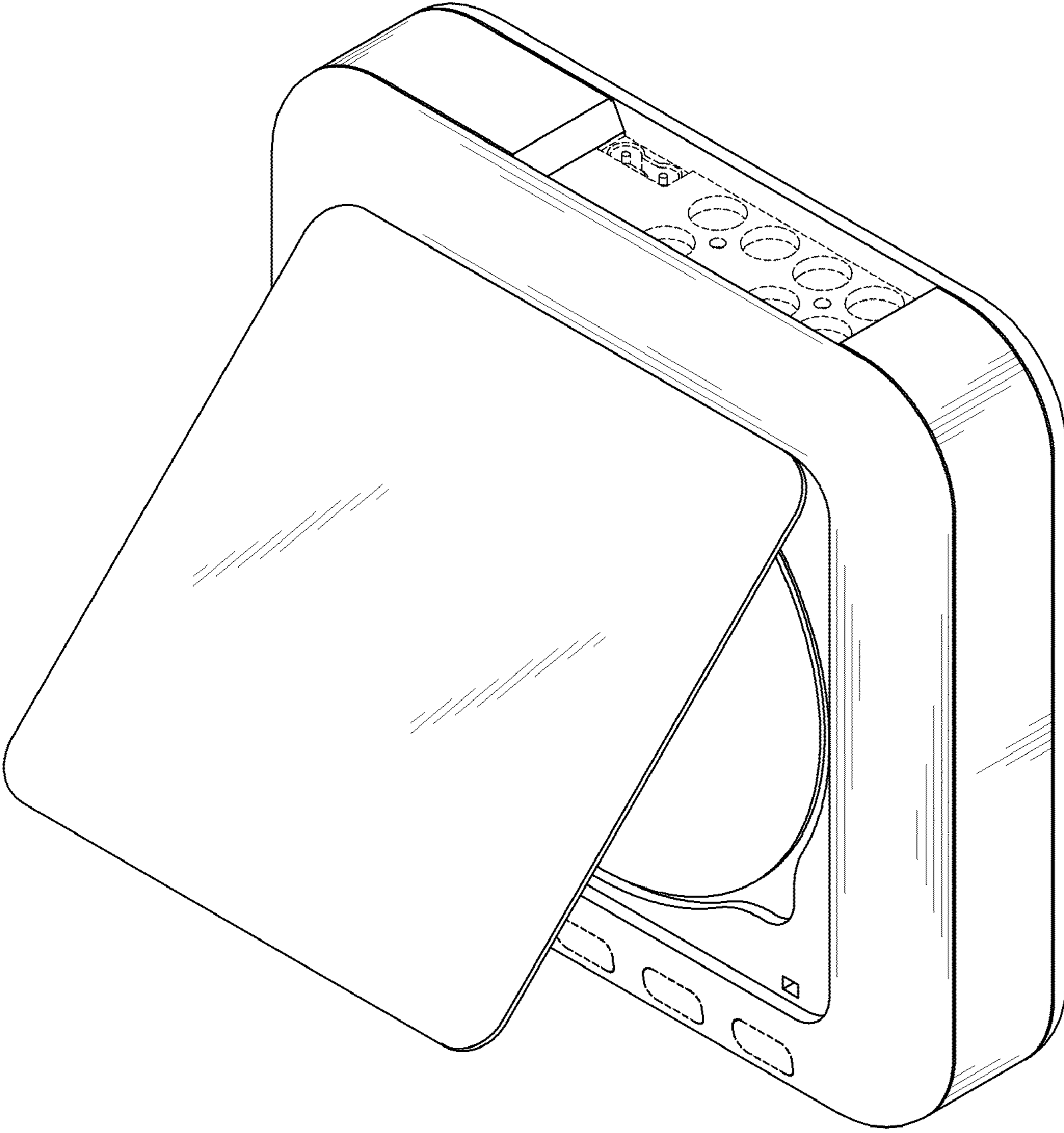


FIG. 8